



US00D624982S

(12) **United States Design Patent**
Perusa

(10) **Patent No.:** **US D624,982 S**

(45) **Date of Patent:** **** Oct. 5, 2010**

(54) **GOLF HOLE INSERT**

(76) **Inventor:** **Gilbert N. Perusa**, 12160 Beauchamps
La., Saratoga, CA (US) 95070

(**) **Term:** **14 Years**

(21) **Appl. No.:** **29/350,898**

(22) **Filed:** **Nov. 25, 2009**

(51) **LOC (9) Cl.** **21-02**

(52) **U.S. Cl.** **D21/789**

(58) **Field of Classification Search** D21/789,
D21/791; 473/150, 173–176, 179, 195
See application file for complete search history.

(56) **References Cited**

U.S. PATENT DOCUMENTS

298,265	A	5/1884	Anderson	
1,943,610	A *	1/1934	John	473/176
2,148,738	A *	2/1939	Feldtkeller	429/184
2,405,425	A	8/1946	Higgins	
2,710,491	A	6/1955	Carlson	
2,856,727	A	10/1958	Tolbert	
3,011,743	A	12/1961	Heath	
3,843,136	A	10/1974	Buenzie	
D245,306	S *	8/1977	Ryden et al.	D21/795
4,108,439	A	8/1978	McGuire	
4,171,134	A	10/1979	Reckm	
D270,620	S	9/1983	Owens	
5,174,775	A *	12/1992	Birch	439/188
D365,375	S	12/1995	Lee	
5,478,071	A	12/1995	Barrs et al.	
D379,588	S	6/1997	Pledger et al.	
D380,786	S	7/1997	Guegan et al.	

5,674,131	A *	10/1997	Forbes et al.	473/177
5,776,004	A *	7/1998	Wilson	473/179
D405,144	S *	2/1999	Crum	D21/789
6,110,053	A *	8/2000	Sjoblom	473/179
6,189,356	B1 *	2/2001	Simeone et al.	72/53
D444,529	S *	7/2001	Wagner	D21/789
6,478,687	B1 *	11/2002	Colonello	473/175
6,709,342	B1 *	3/2004	Brezic	473/179
D504,482	S *	4/2005	Webb	D21/789
2003/0096659	A1 *	5/2003	Webb	473/174
2003/0190970	A1	10/2003	Patterson	
2006/0079340	A1	4/2006	Niemczyk	
2007/0099716	A1	5/2007	Du Plessis	

* cited by examiner

Primary Examiner—Mitchell I Siegel

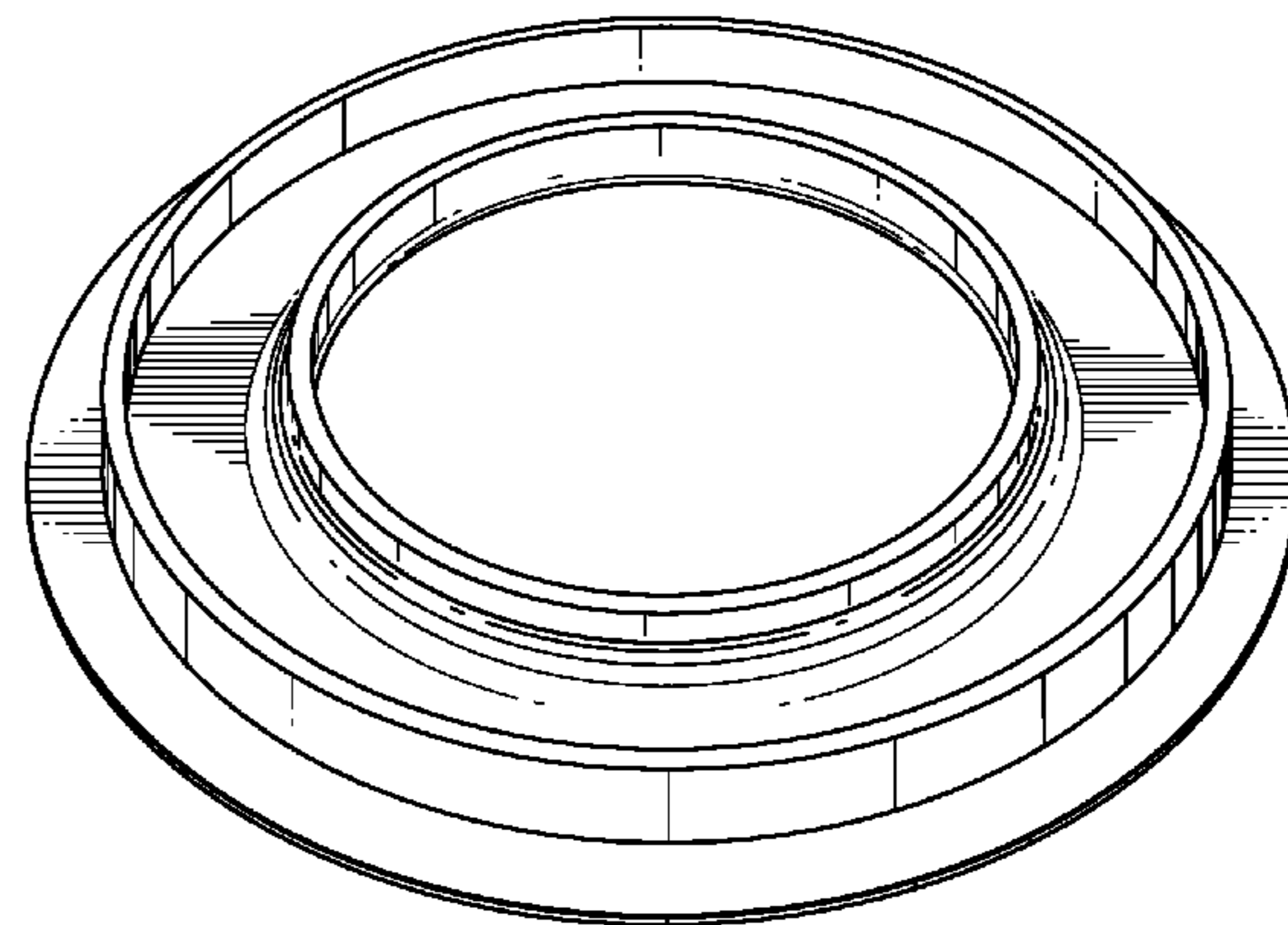
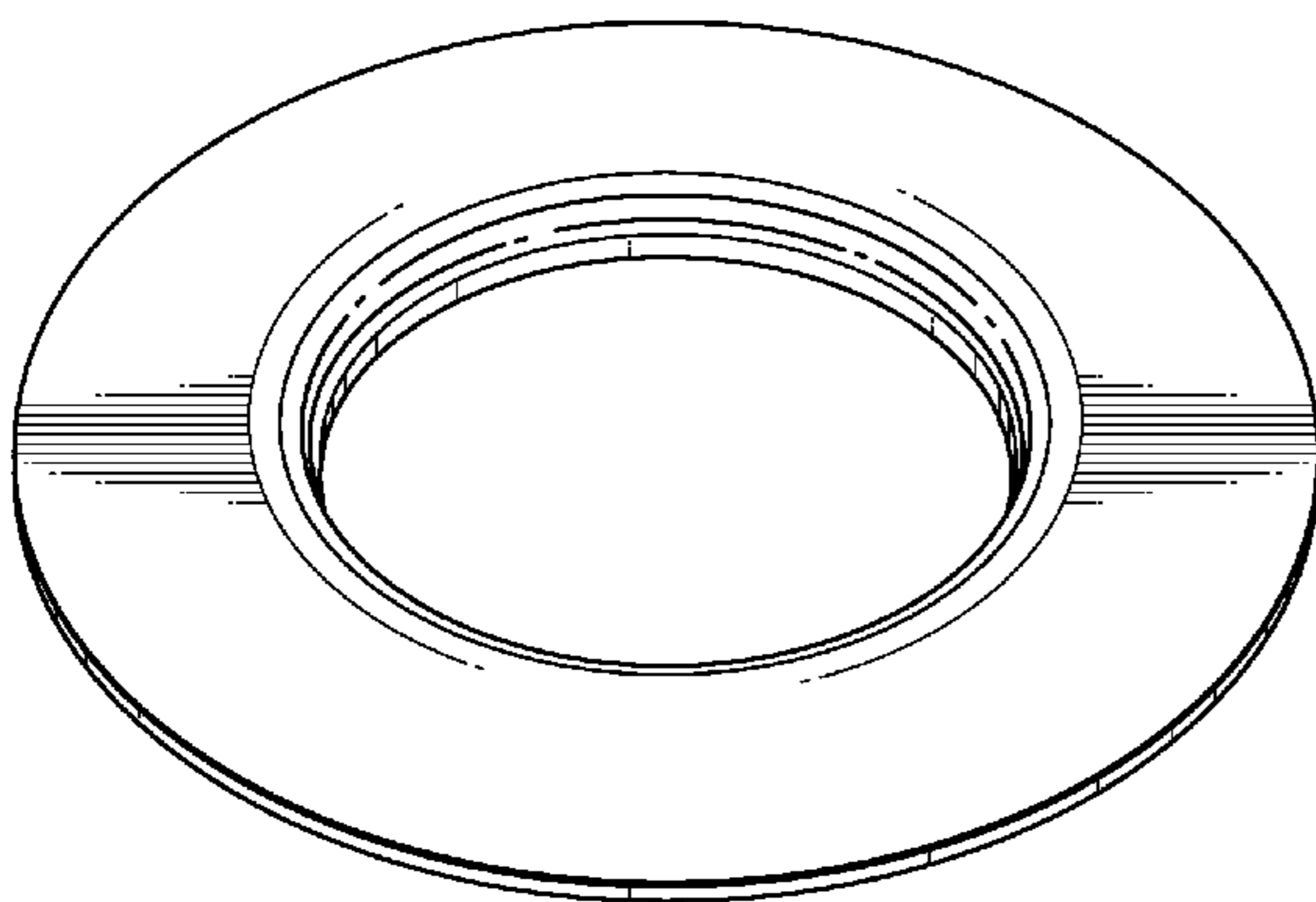
(57) **CLAIM**

The ornamental design for a golf hole insert, as shown and described.

DESCRIPTION

FIG. 1 is a top perspective view of a golf hole insert showing my new design;
 FIG. 2 is a bottom perspective view thereof;
 FIG. 3 is a top plan view thereof;
 FIG. 4 is a bottom plan view thereof;
 FIG. 5 is a left side elevational view thereof;
 FIG. 6 is a right side elevational view thereof;
 FIG. 7 is a front elevational view thereof; and,
 FIG. 8 is a rear elevational view thereof.

1 Claim, 3 Drawing Sheets



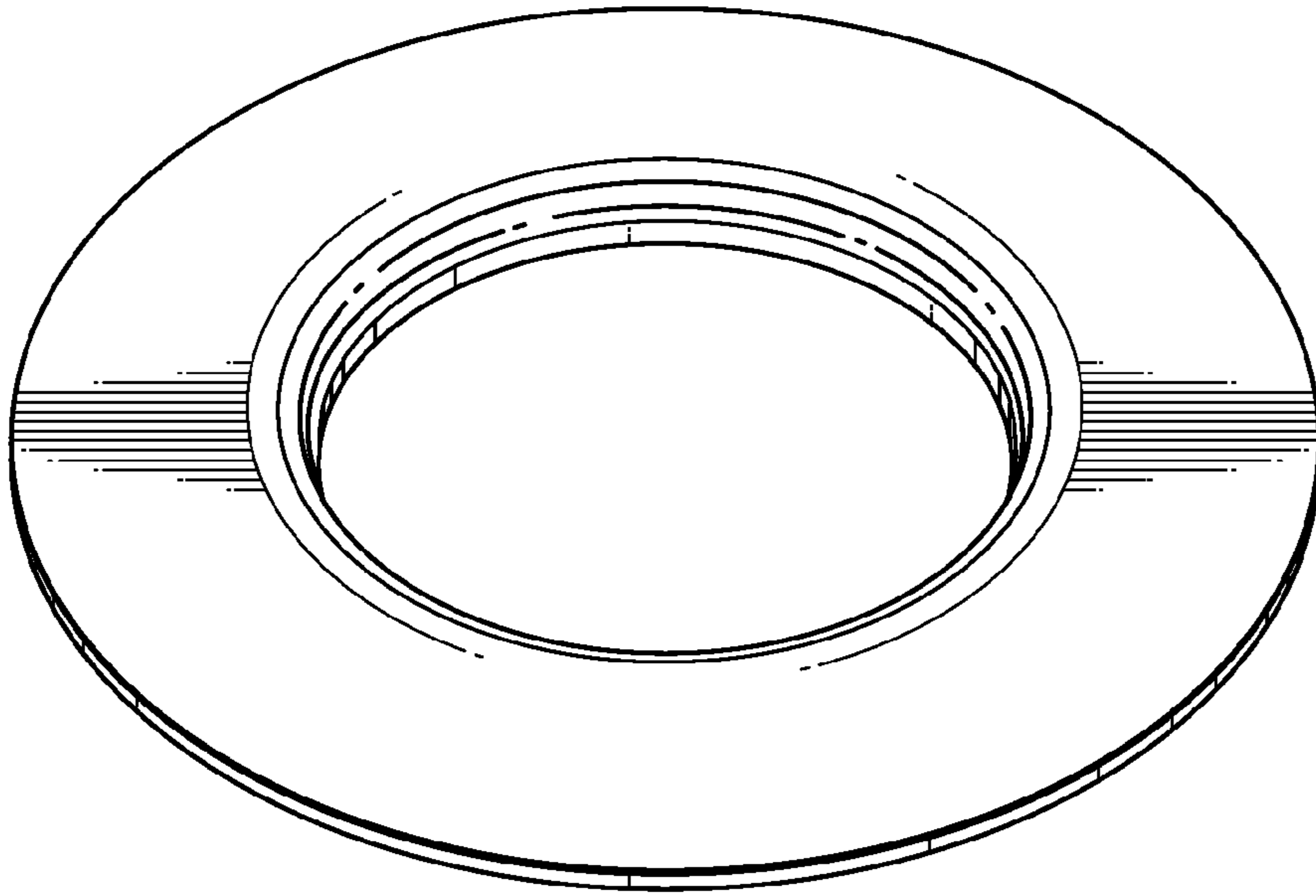


Fig. 1

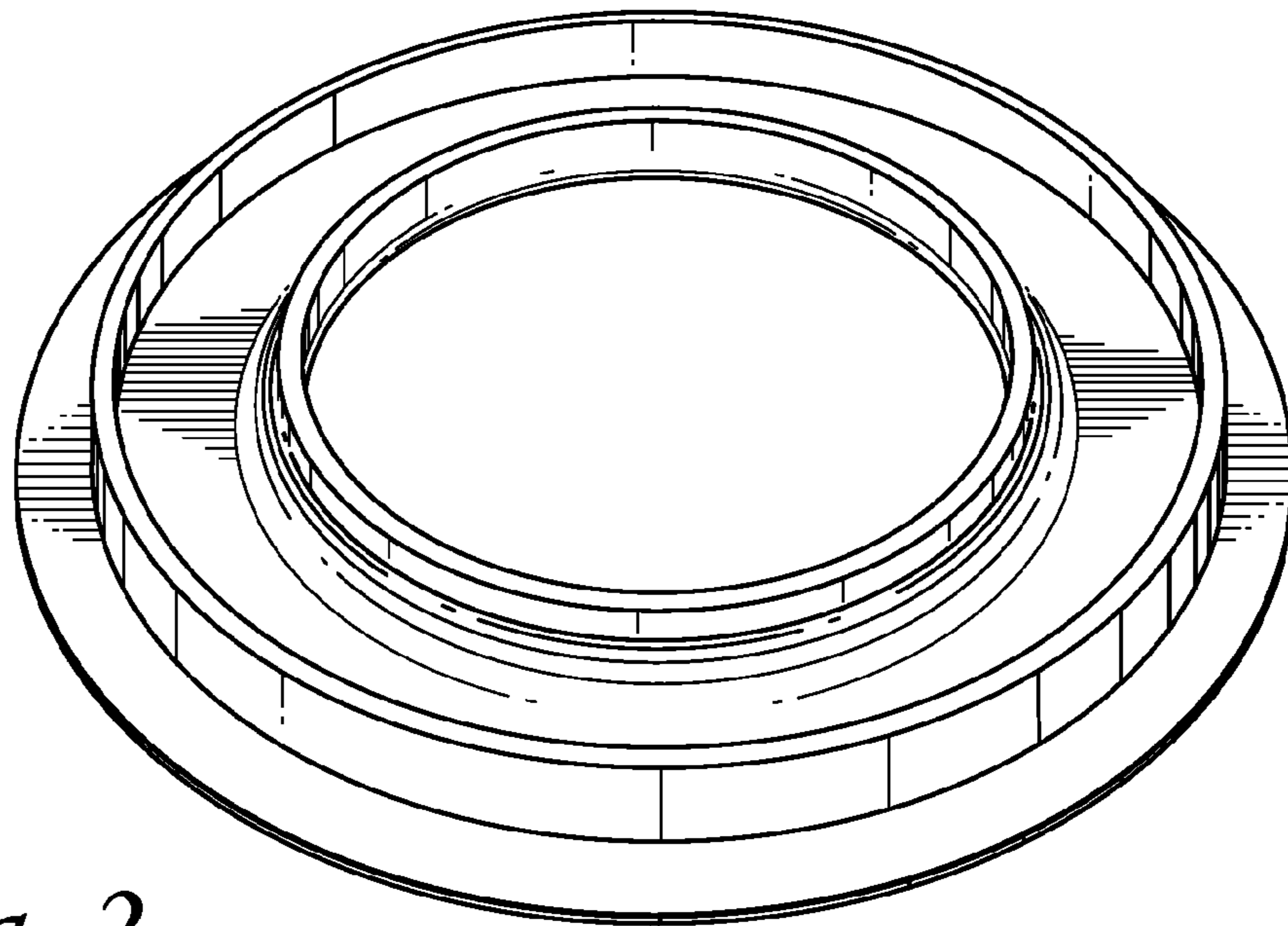


Fig. 2

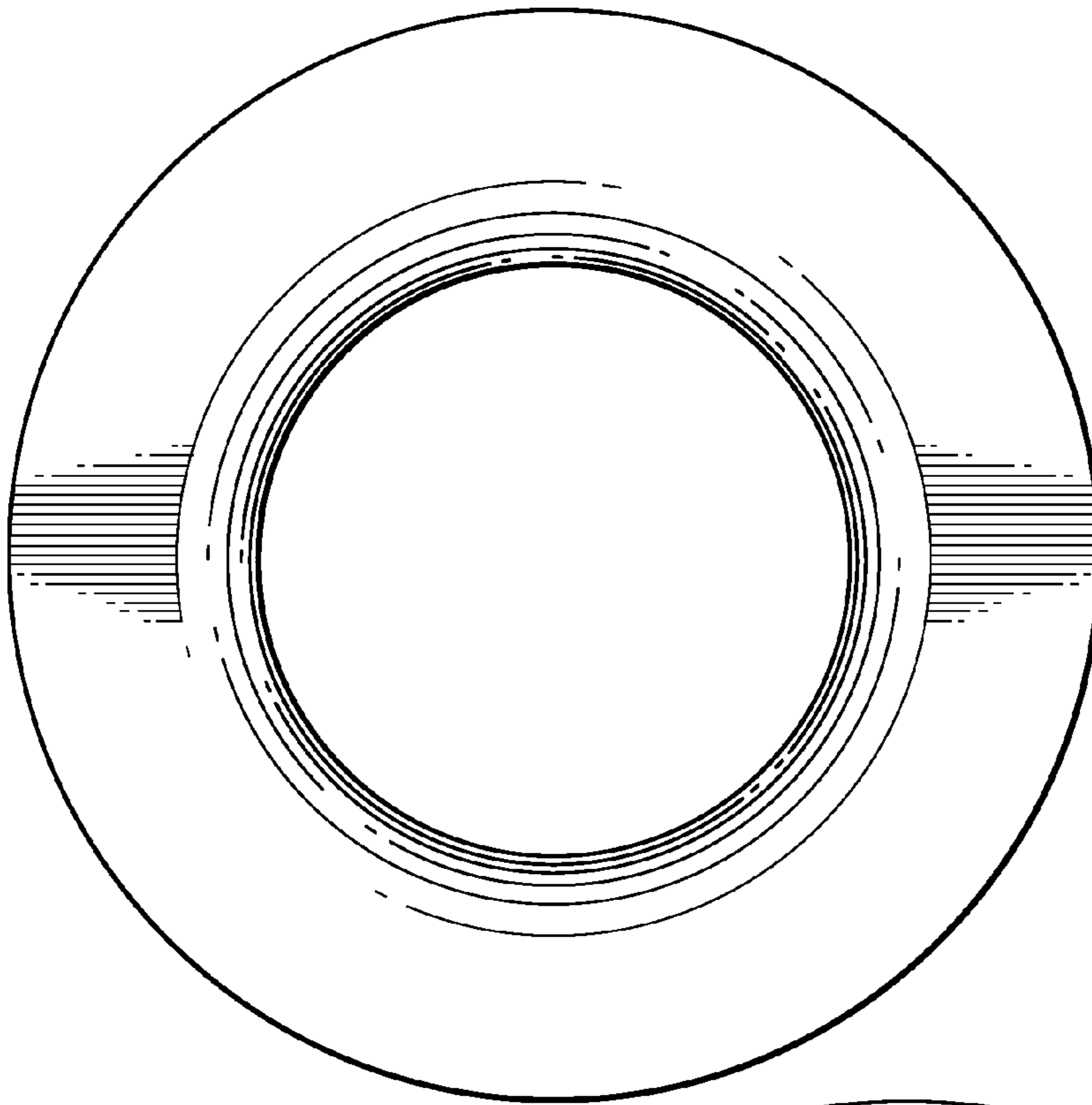


Fig. 3

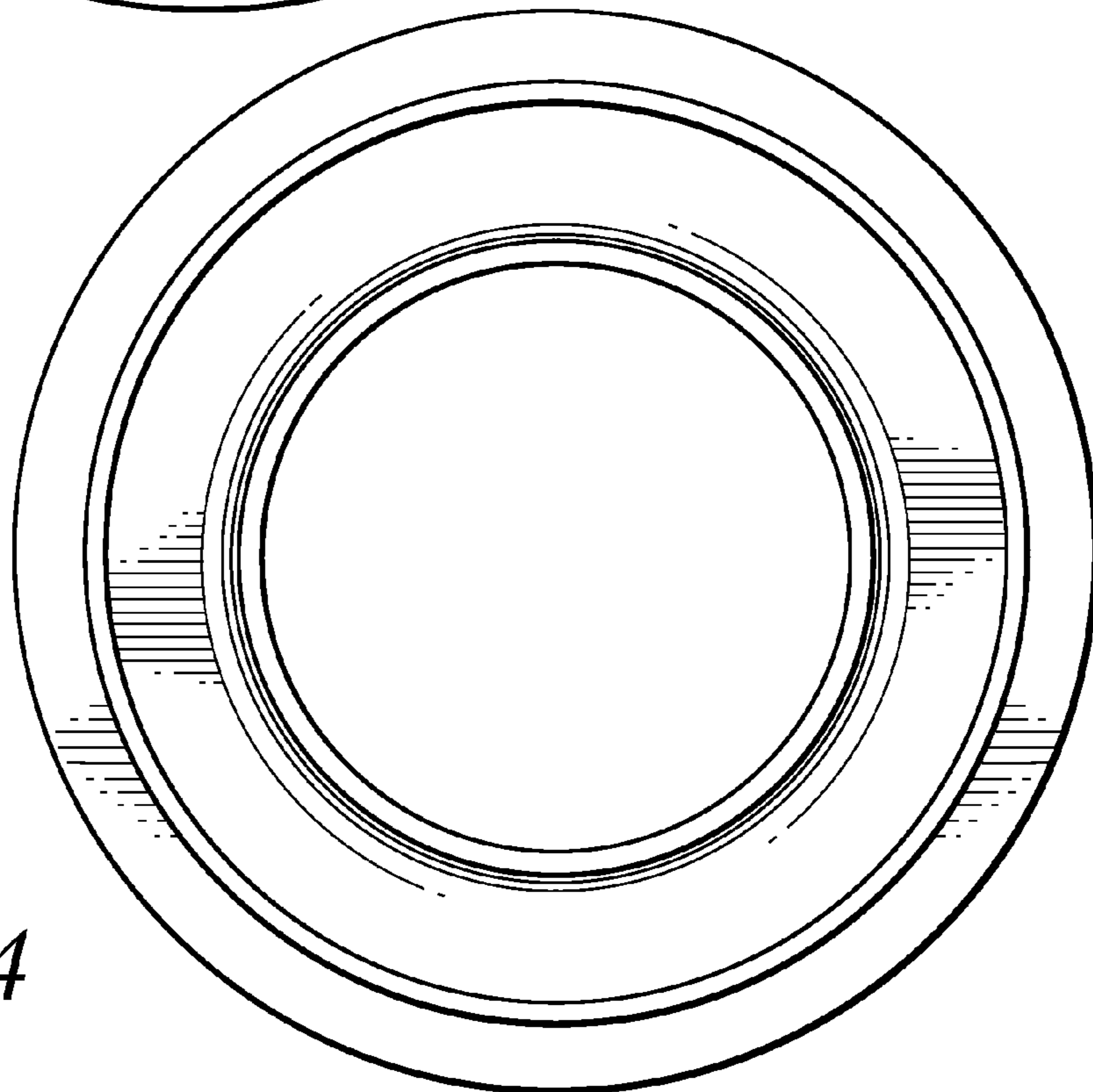


Fig. 4

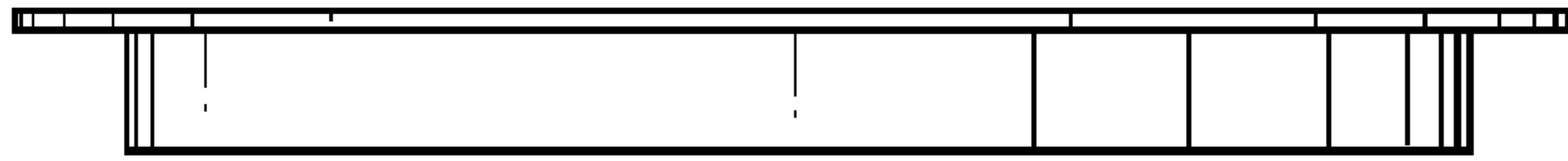


Fig. 5

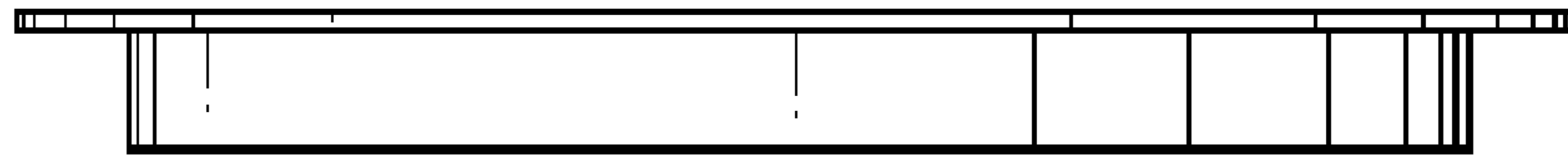


Fig. 6

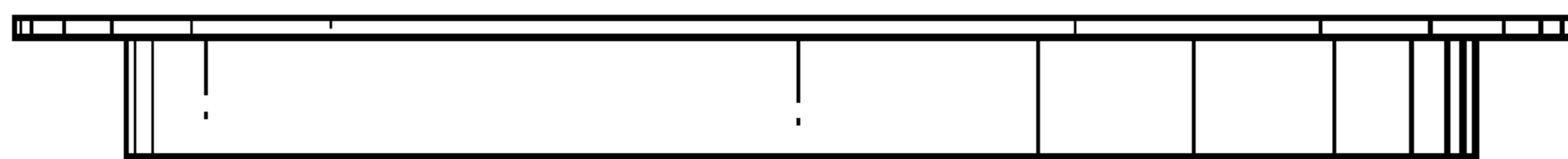


Fig. 7

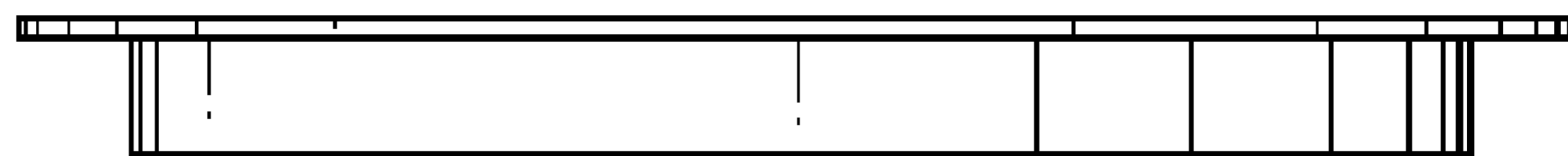


Fig. 8