



US00D624981S

(12) **United States Design Patent**  
**Forrest, Sr.**

(10) **Patent No.:** **US D624,981 S**  
(45) **Date of Patent:** **\*\* Oct. 5, 2010**

(54) **FOOTBALL LINEMEN TRAINER**

(76) Inventor: **Charles P. Forrest, Sr.**, 31 Signal Hill Rd., Spanish Fort, AL (US) 36527

(\*\*) Term: **14 Years**

(21) Appl. No.: **29/311,063**

(22) Filed: **Dec. 18, 2008**

(51) **LOC (9) Cl.** ..... **21-02**

(52) **U.S. Cl.** ..... **D21/788**

(58) **Field of Classification Search** ..... D21/662,  
D21/675, 686, 691, 698, 719, 787, 788, 798,  
D21/800; 473/415-504; 482/83-93

See application file for complete search history.

(56) **References Cited**

**U.S. PATENT DOCUMENTS**

1,708,638	A *	4/1929	Smith	473/442
1,909,461	A *	5/1933	Costa	473/443
2,183,465	A *	12/1939	Noor	73/379.04
3,114,549	A *	12/1963	Hooker	473/443
3,399,891	A *	9/1968	McCormick et al.	473/442
3,424,458	A *	1/1969	Hopps, Jr.	473/443
3,547,438	A *	12/1970	Schmitter	473/443
3,556,523	A *	1/1971	Hooker	473/443
3,637,210	A *	1/1972	Brantley	473/443
3,658,332	A *	4/1972	Adduci et al.	473/443

3,889,948	A *	6/1975	Visco	473/441
4,216,957	A *	8/1980	Curatola	482/90
5,688,195	A *	11/1997	Caso	473/429
6,530,867	B2 *	3/2003	Schwendemann	482/83
6,558,298	B2 *	5/2003	Fields et al.	482/87

\* cited by examiner

*Primary Examiner*—Catherine Tuttle

(74) *Attorney, Agent, or Firm*—H. Jay Spiegel

(57) **CLAIM**

The ornamental design for a football linemen trainer, as shown and described.

**DESCRIPTION**

FIG. 1 is a front perspective view of the football lineman trainer showing my new design;

FIG. 2 is a front view thereof;

FIG. 3 is a rear view thereof;

FIG. 4 is a top view thereof; and,

FIG. 5 is a bottom view thereof.

The pair of tubular support frame members have bilaterally symmetric trapezoid profiles when viewed from the side. The broken lines are included for the purpose of illustrating portions of the football lineman trainer that form no part of the claimed design.

**1 Claim, 5 Drawing Sheets**

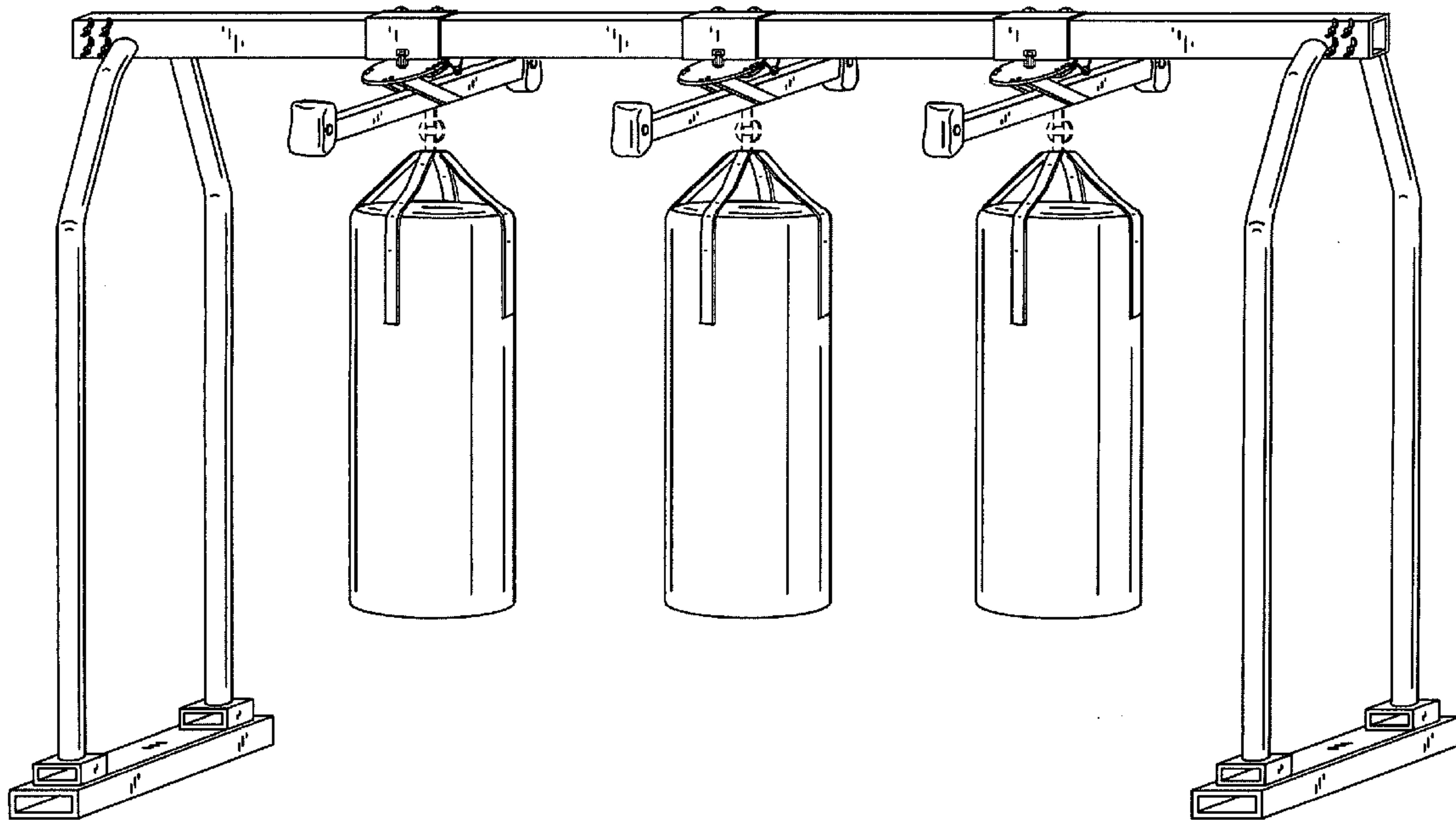


FIG. 1

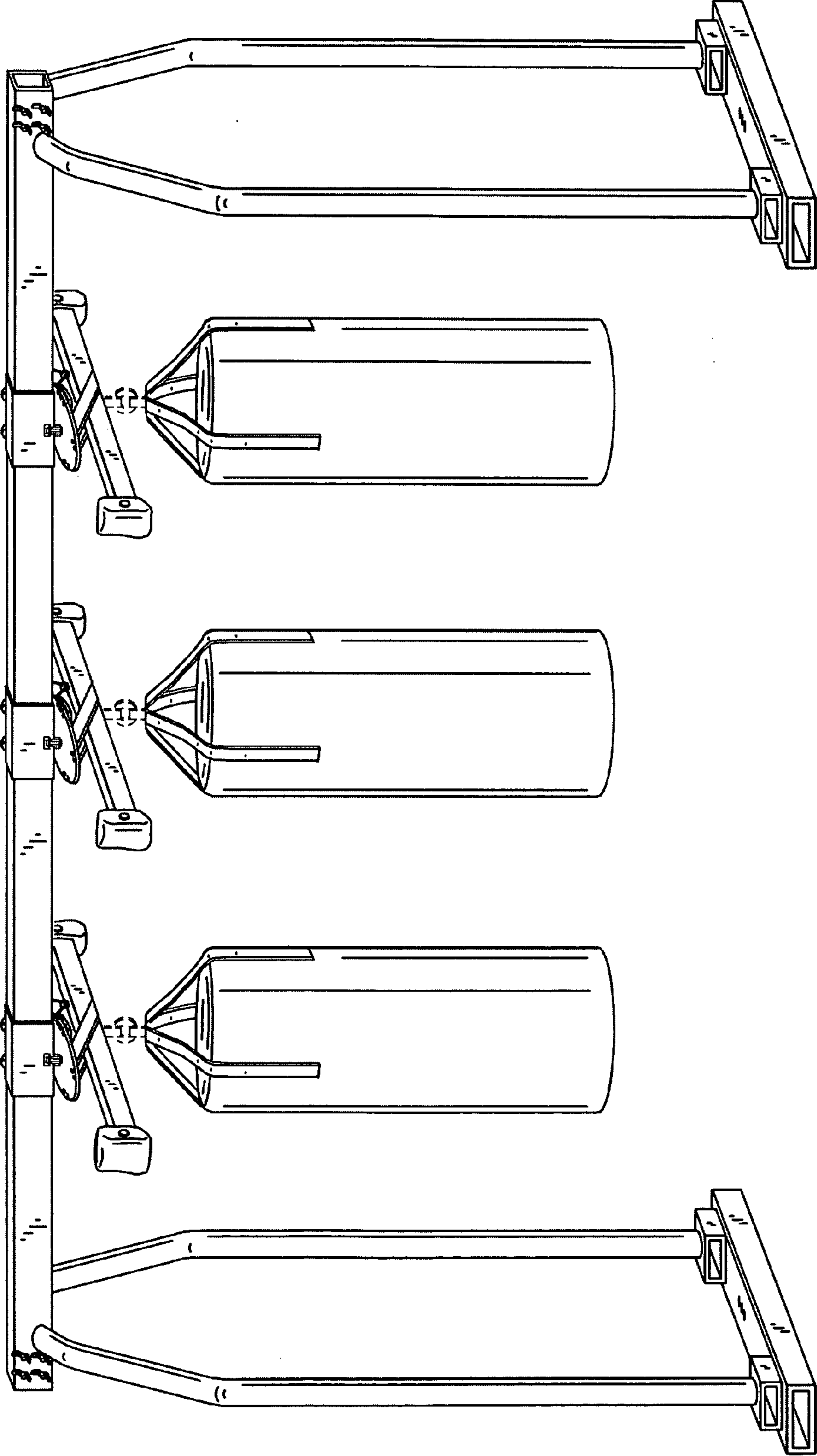


FIG. 2

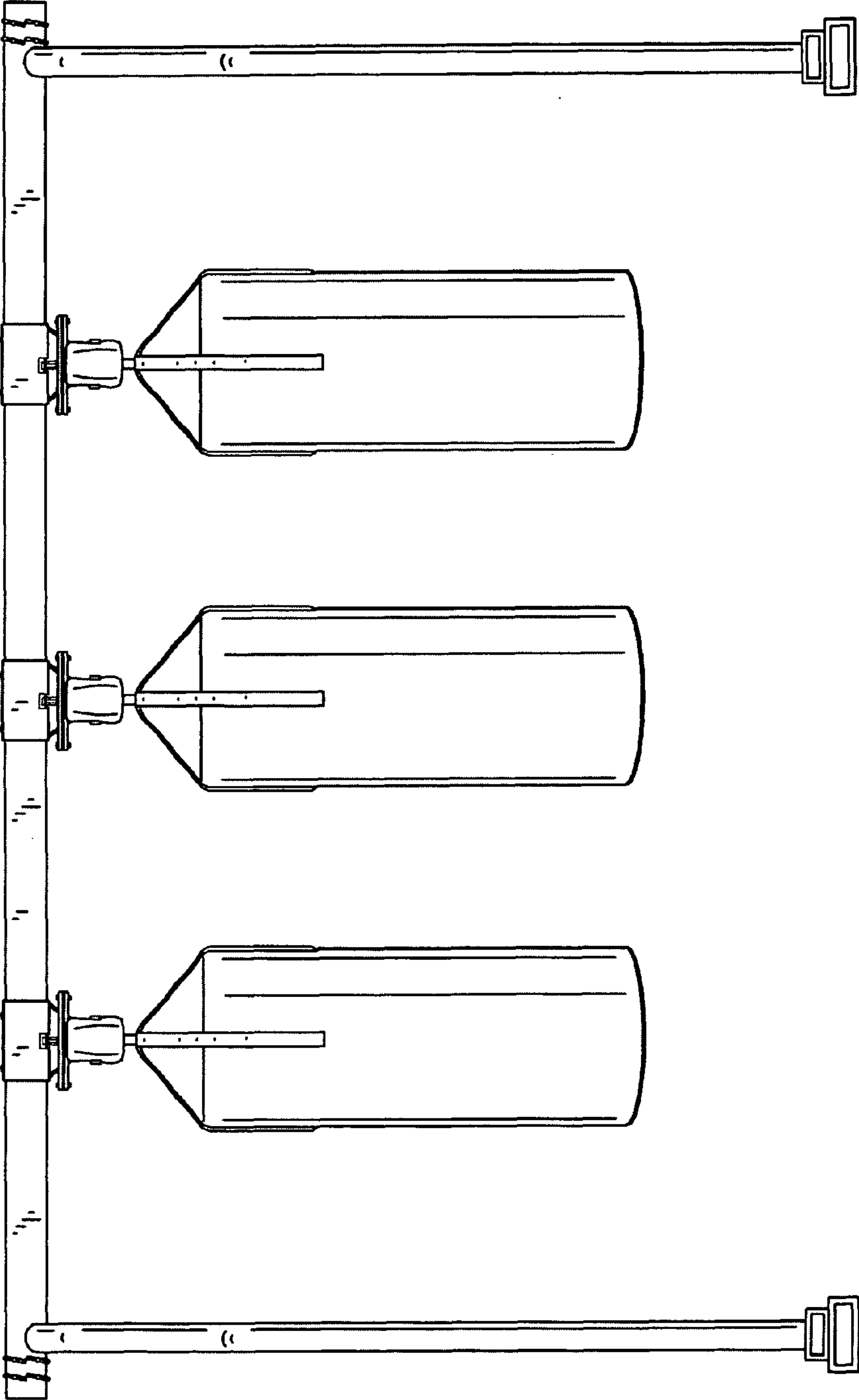


FIG. 3

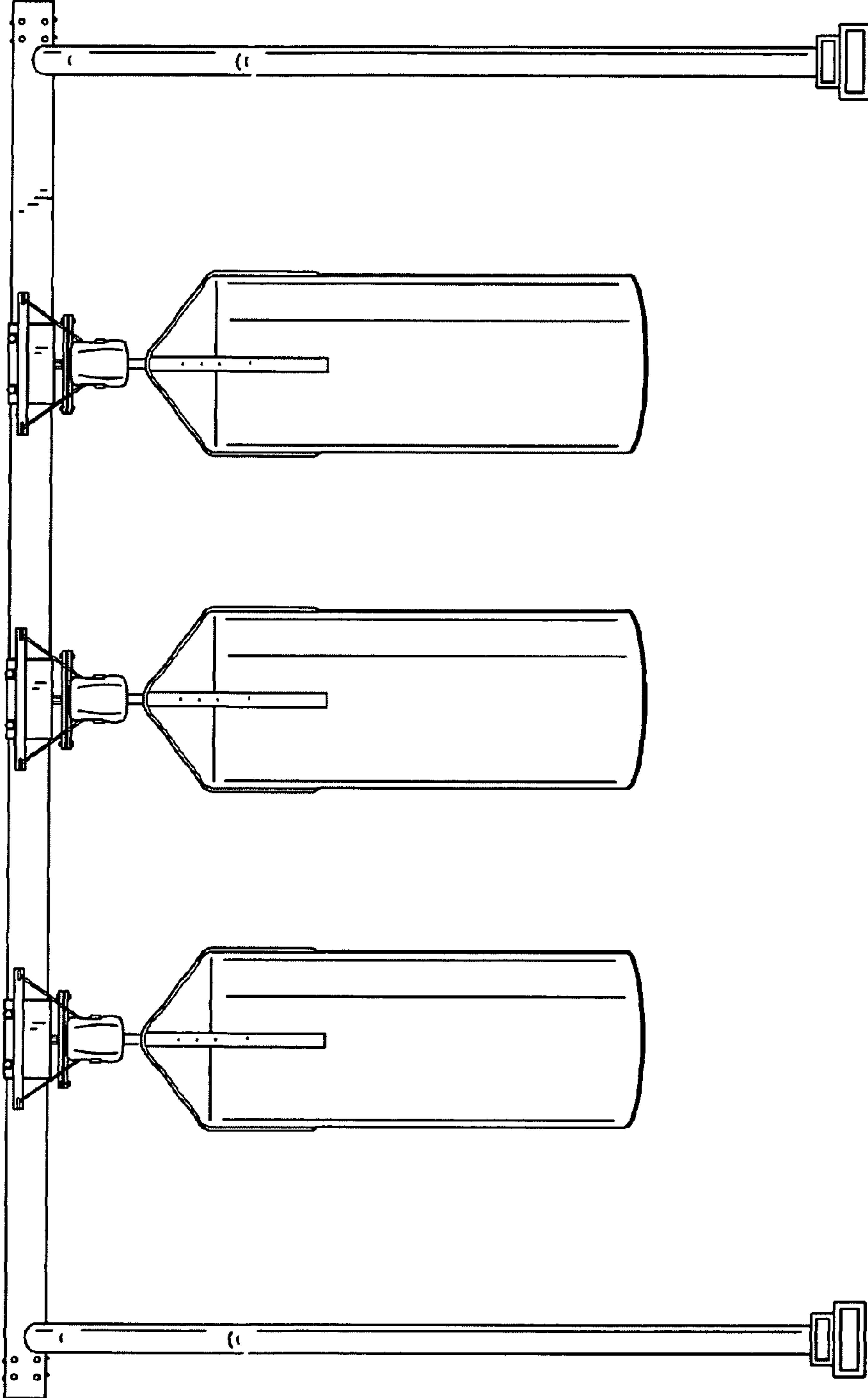


FIG. 4

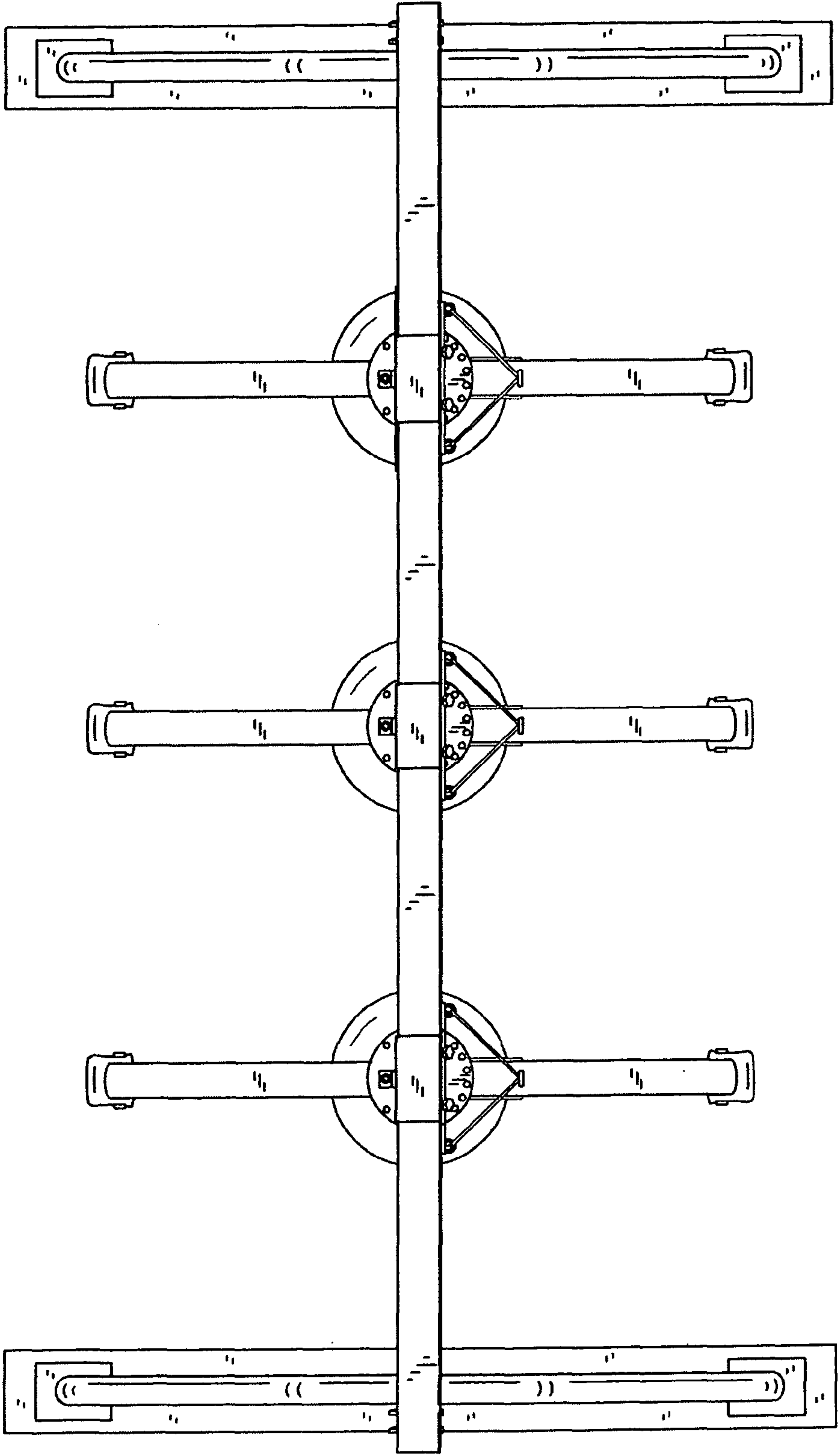


FIG. 5

