



US00D624977S

(12) **United States Design Patent**  
**Comello, Jr.**

(10) **Patent No.:** **US D624,977 S**

(45) **Date of Patent:** **\*\* Oct. 5, 2010**

(54) **BASEBALL BAT**

(76) Inventor: **Carlo J. Comello, Jr.**, 36 Dunbar St.,  
Staten Island, NY (US) 10308

(\*\*) Term: **14 Years**

(21) Appl. No.: **29/348,174**

(22) Filed: **Dec. 7, 2009**

(51) **LOC (9) Cl.** ..... **21-02**

(52) **U.S. Cl.** ..... **D21/725**

(58) **Field of Classification Search** ..... D21/725,  
D21/753, 756; 473/564-568

See application file for complete search history.

(56) **References Cited**

U.S. PATENT DOCUMENTS

D2,351 S *	7/1866	Reed	.....	D21/725
300,360 A *	6/1884	Gray	.....	473/568
780,244 A *	1/1905	Truesdell	.....	473/564
1,018,866 A *	2/1912	Blahos	.....	473/564
1,611,858 A *	12/1926	Middlekauff	.....	473/566
2,101,714 A *	12/1937	Keeney	.....	427/341
D398,680 S *	9/1998	Kennedy et al.	.....	D21/725
D482,749 S	11/2003	Gumpel		
D485,876 S *	1/2004	Andrews	.....	D21/725
6,783,471 B2 *	8/2004	Bolduc et al.	.....	473/564

6,872,157 B2 *	3/2005	Falone et al.	.....	473/568
D560,261 S	1/2008	Satloff		
D572,779 S	7/2008	Penfold		
D601,648 S *	10/2009	Comello, Jr.	.....	D21/725
D606,137 S *	12/2009	Comello et al.	.....	D21/725

\* cited by examiner

*Primary Examiner*—Mitchell I Siegel

(74) *Attorney, Agent, or Firm*—Mary A. Whiting

(57) **CLAIM**

I claim, the ornamental design for a baseball bat, as shown and described.

**DESCRIPTION**

FIG. 1 is a side view of the baseball bat according to the design;

FIG. 2 is a view of one end (handle) of the baseball bat of FIG. 1; and

FIG. 3 is a view of the opposite end (tip) of the baseball bat of FIG. 1; and

FIG. 4 is a side view of the mirror-image opposite side of the baseball bat of FIG. 1; and,

FIG. 5 is an enlarged view of the pattern according to the design.

**1 Claim, 1 Drawing Sheet**

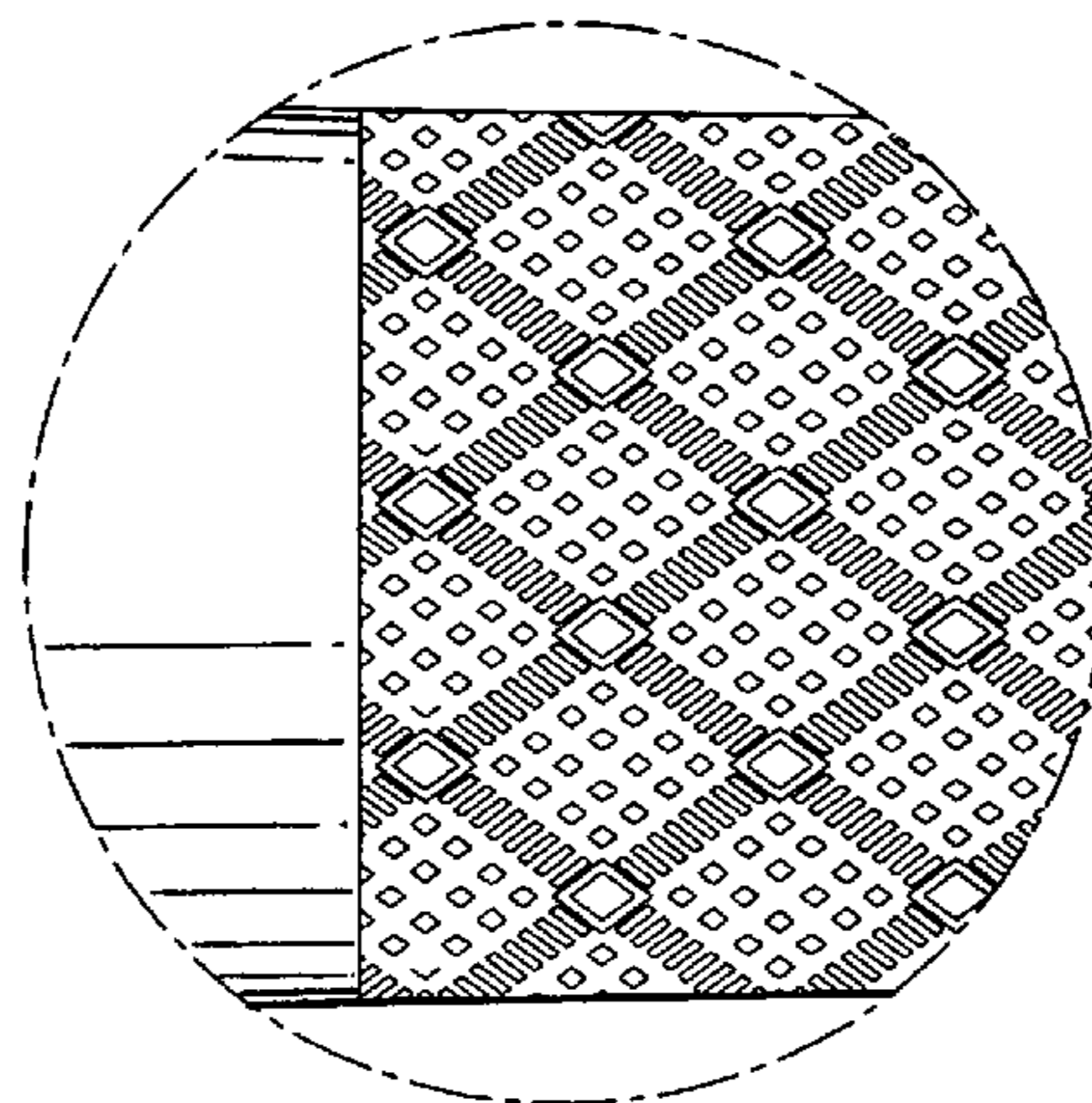
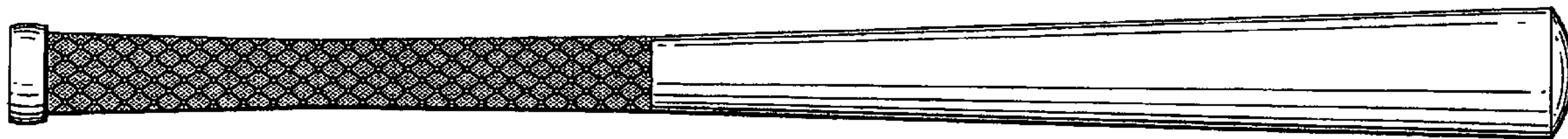




FIG. 1

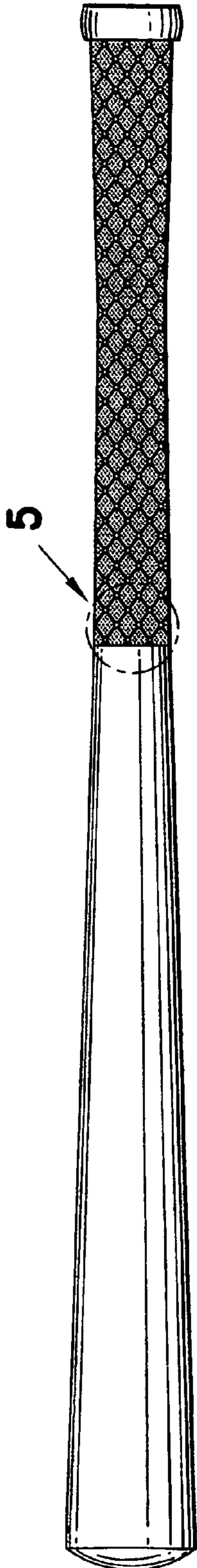


FIG. 4

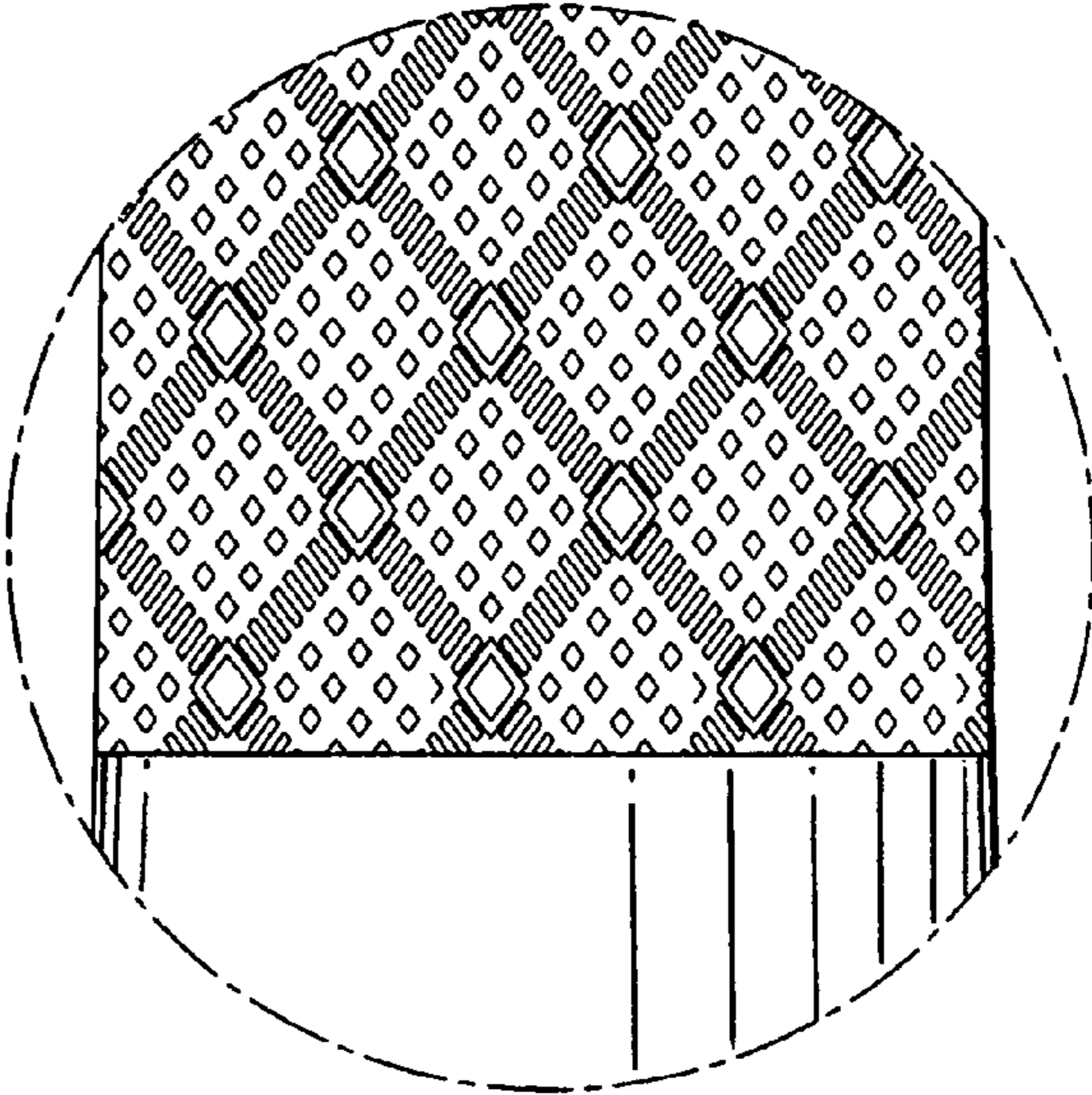


FIG. 5



FIG. 3

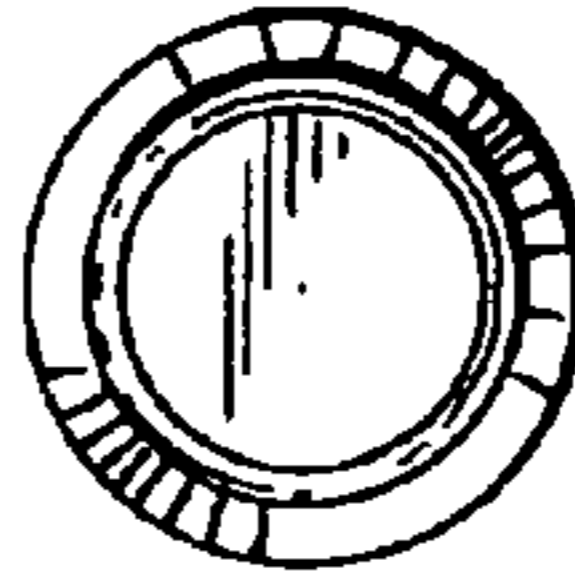


FIG. 2