



US00D624971S

(12) **United States Design Patent**  
**Cohen et al.**

(10) **Patent No.:** **US D624,971 S**

(45) **Date of Patent:** **\*\* Oct. 5, 2010**

(54) **TOY ROCKET SHIP CONVERTIBLE INTO A TABLE AND CHAIR SET**

D509,261 S \* 9/2005 Tebbe ..... D21/452

\* cited by examiner

(75) Inventors: **Ronald B. Cohen**, Hopkinton, MA (US);  
**Robert J. Pagano**, Cumberland, RI (US); **Lawrence Alan Weckstein**,  
Lyndhurst, NJ (US)

*Primary Examiner*—Sandra Morris  
(74) *Attorney, Agent, or Firm*—Iandiorio Teska & Coleman

(73) Assignee: **Kids Only, Inc.**, Westborough, MA (US)

(57) **CLAIM**

(\*\*) Term: **14 Years**

The ornamental design for the toy rocket ship convertible into a table and chair set, as shown and described.

(21) Appl. No.: **29/348,679**

**DESCRIPTION**

(22) Filed: **Jan. 28, 2010**

FIG. 1 is a front perspective view of a toy rocket ship convertible into a table and chair set of this invention;

(51) **LOC (9) Cl.** ..... **21-01**

(52) **U.S. Cl.** ..... **D21/452; D6/337**

FIG. 2 is a front view of the toy rocket ship configuration of this invention;

(58) **Field of Classification Search** ..... D6/337,  
D6/351, 358; D21/441–452; 446/230–231;  
297/157.1, 158.3

FIG. 3 is a right-side view of the toy rocket ship of this invention;

See application file for complete search history.

FIG. 4 is a rear view of the toy rocket ship of this invention;

(56) **References Cited**

**U.S. PATENT DOCUMENTS**

- 3,002,752 A \* 10/1961 Roth ..... 446/230
- D193,337 S \* 8/1962 Lebidine ..... D6/358
- D194,982 S \* 4/1963 Careaga ..... D6/337
- D231,879 S \* 6/1974 Veillette ..... D6/358
- D290,101 S \* 6/1987 Chung ..... D21/452
- D296,223 S \* 6/1988 Shimasaki ..... D21/448
- D296,734 S \* 7/1988 Valdez ..... D6/358
- D347,865 S \* 6/1994 Bertrand ..... D21/452
- D474,237 S \* 5/2003 Levine ..... D21/452
- 6,878,026 B2 \* 4/2005 Cloutier ..... 441/130

FIG. 5 is a left-side view of the toy rocket ship of this invention;

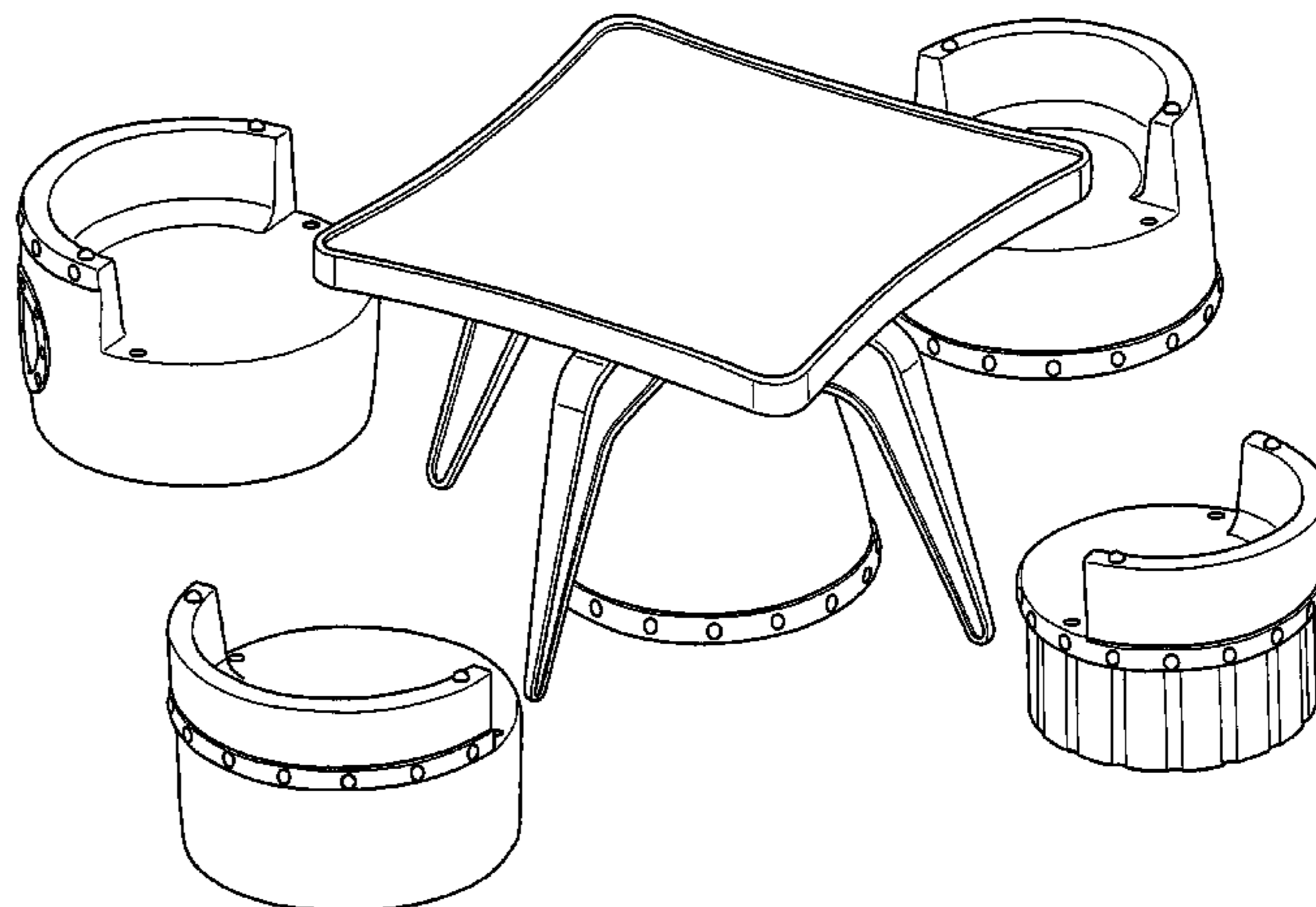
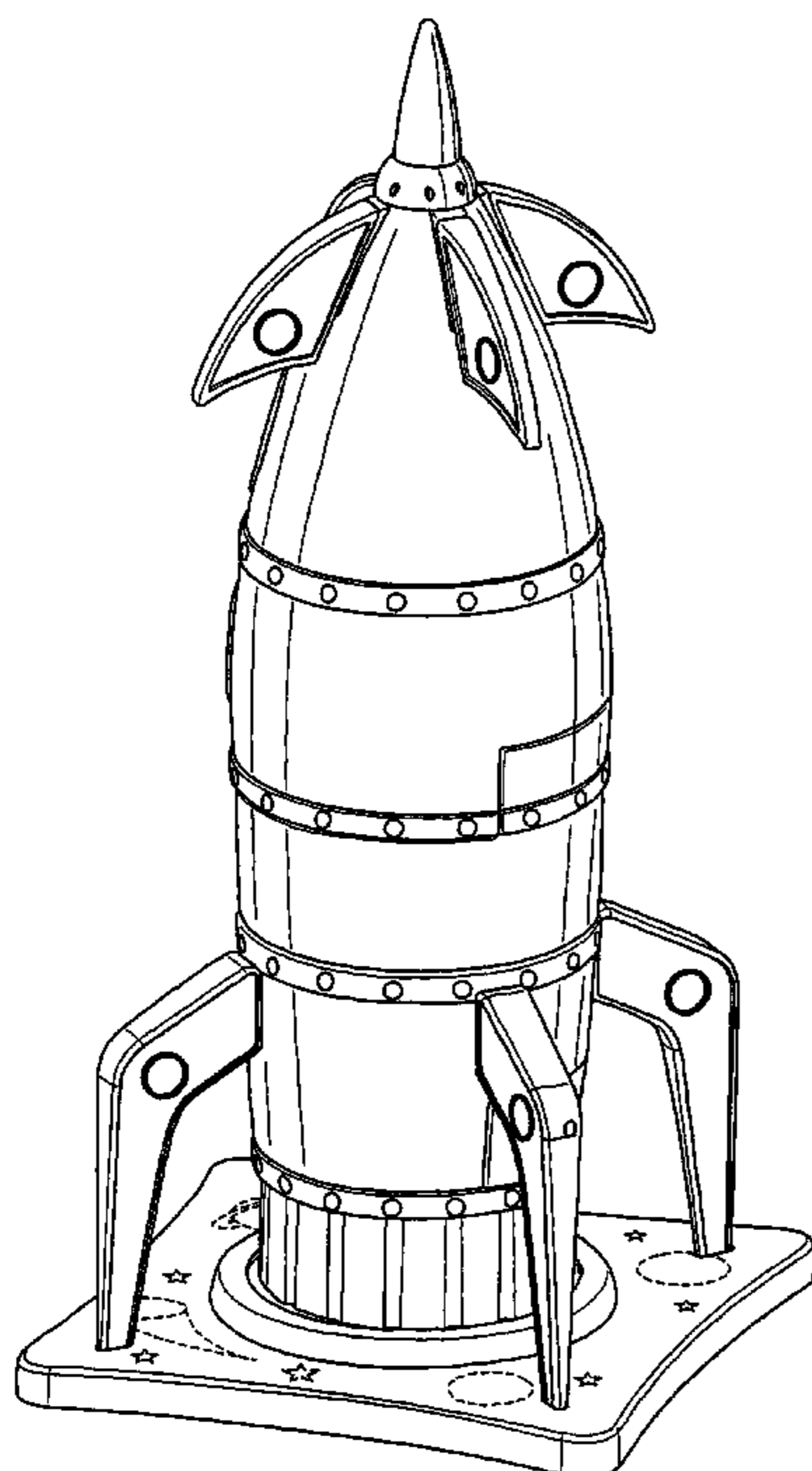
FIG. 6 is a top plan view of the toy rocket ship of this invention;

FIG. 7 is a bottom plan view of the toy rocket ship of this invention;

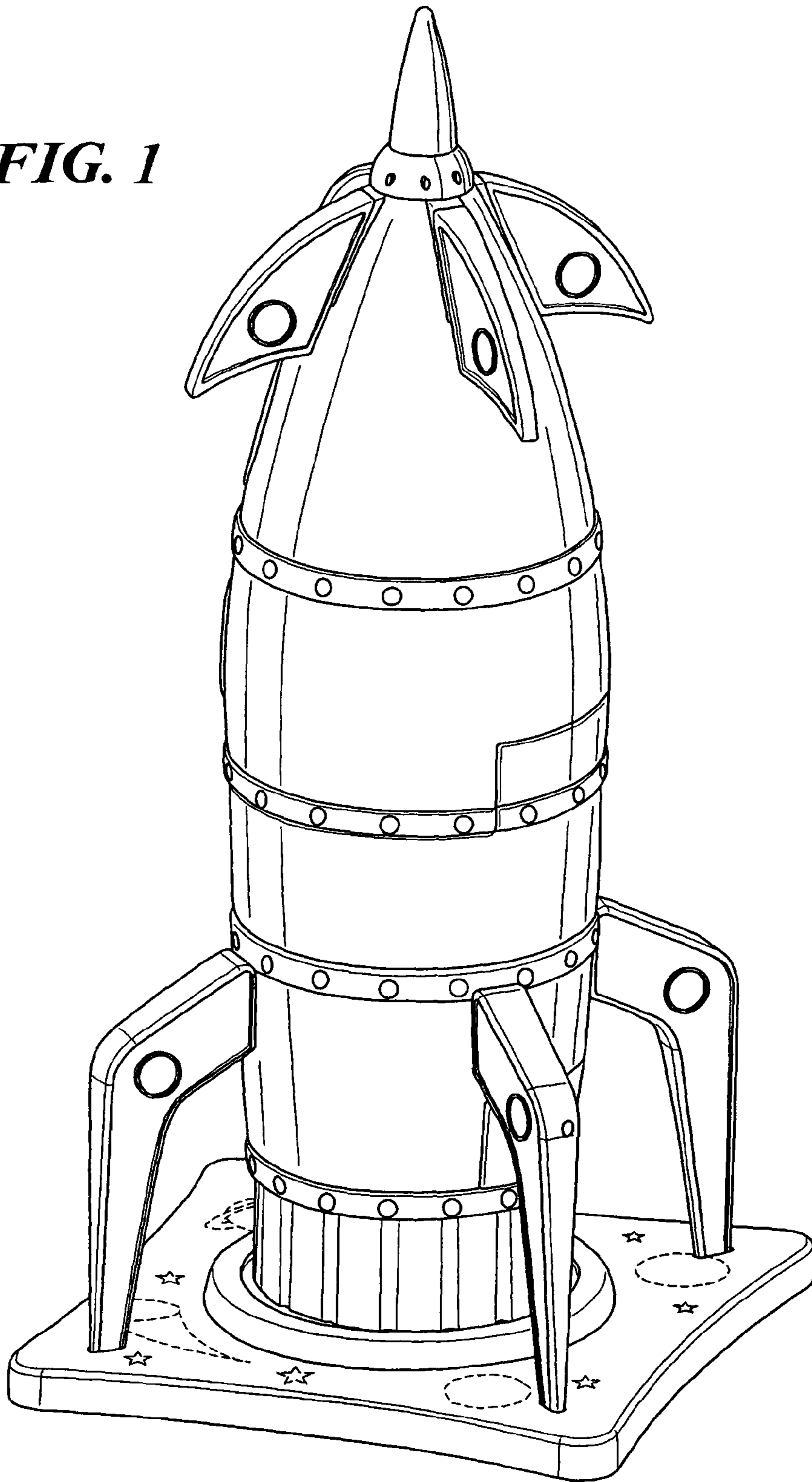
FIG. 8 is a perspective view of the toy rocket ship when converted into a table and chair set of this invention; and,

FIG. 9 is a bottom plan view of the table and chair set of this invention.

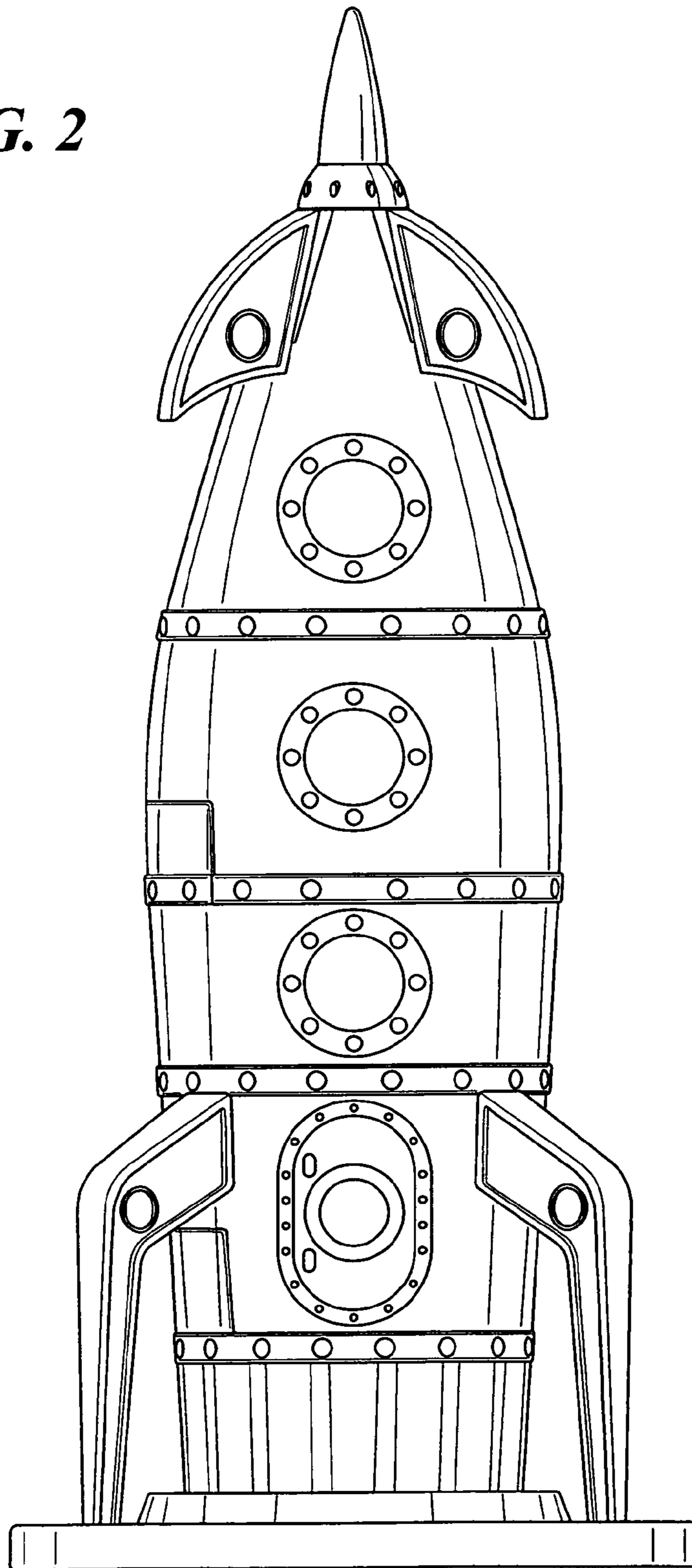
**1 Claim, 8 Drawing Sheets**



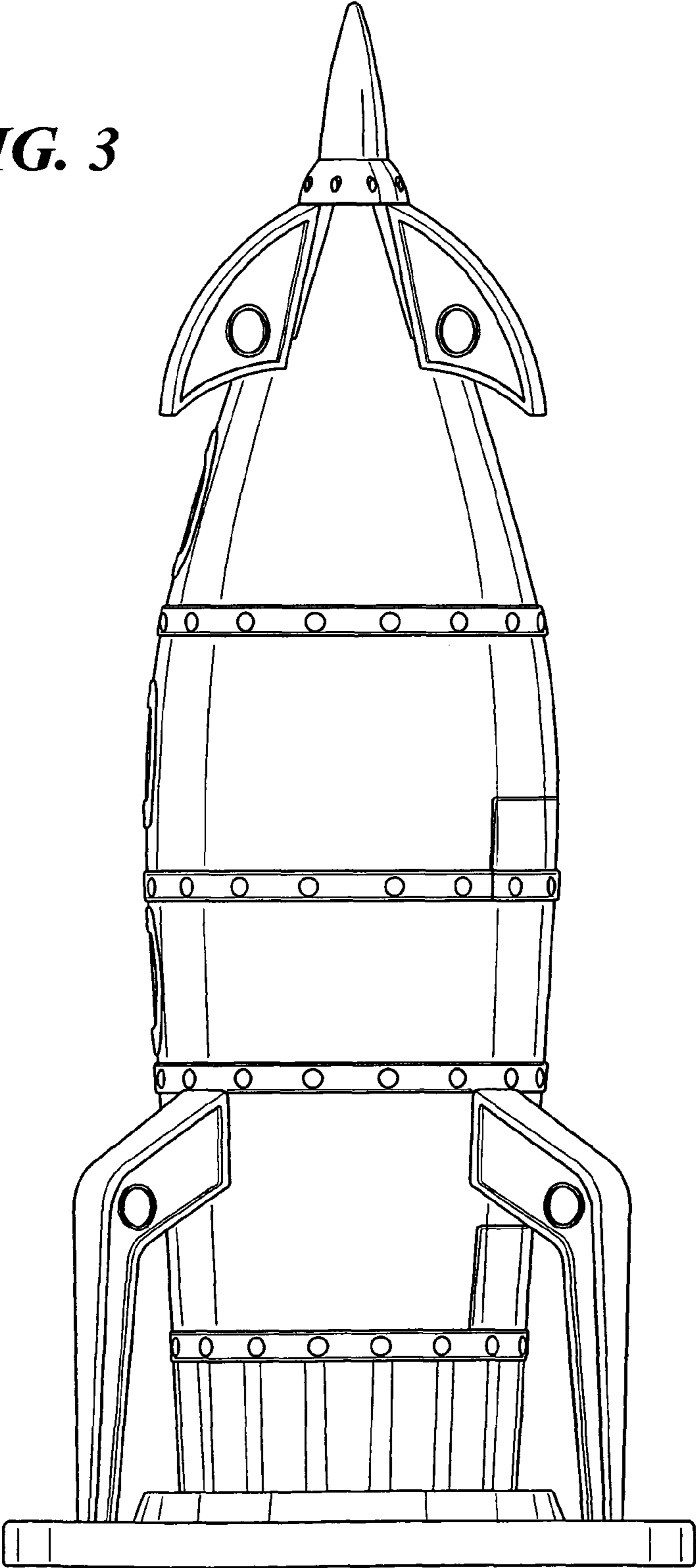
**FIG. 1**



***FIG. 2***

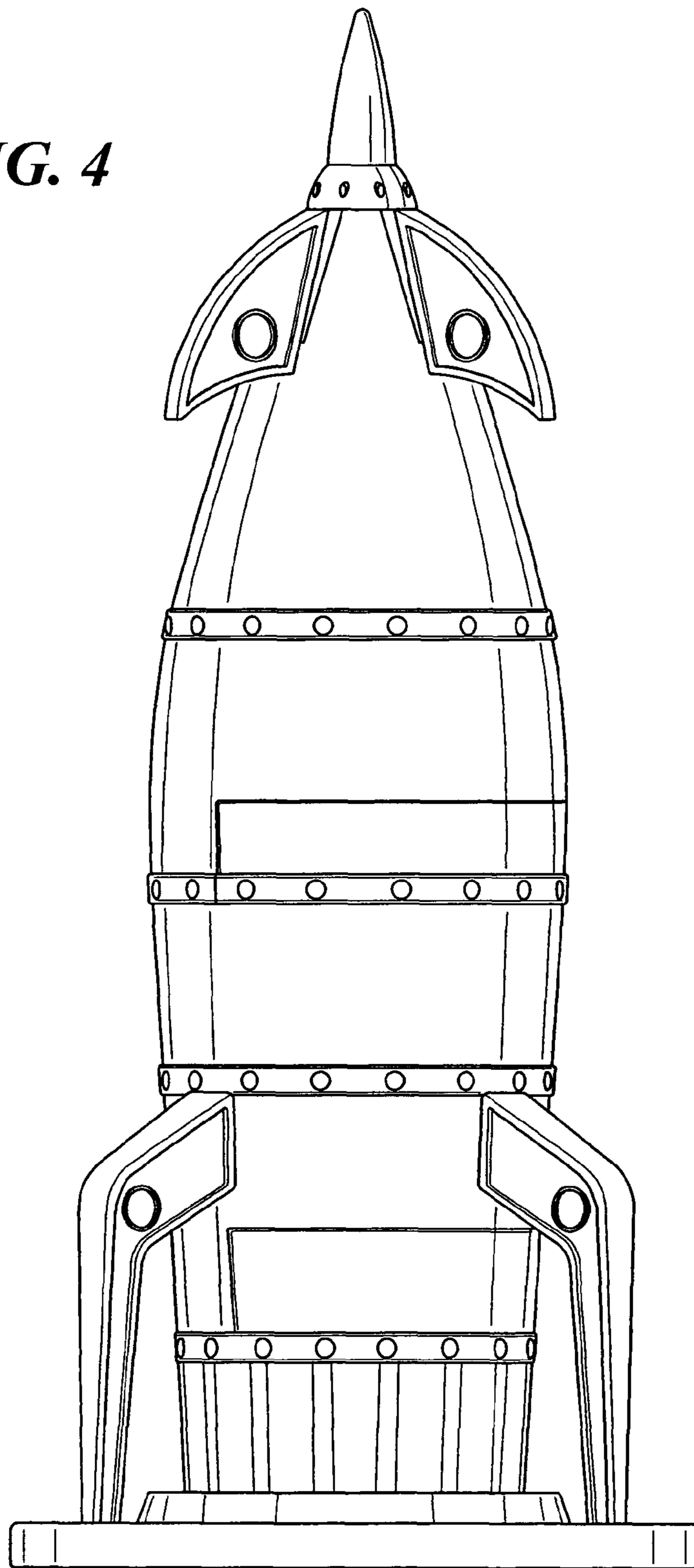


*FIG. 3*

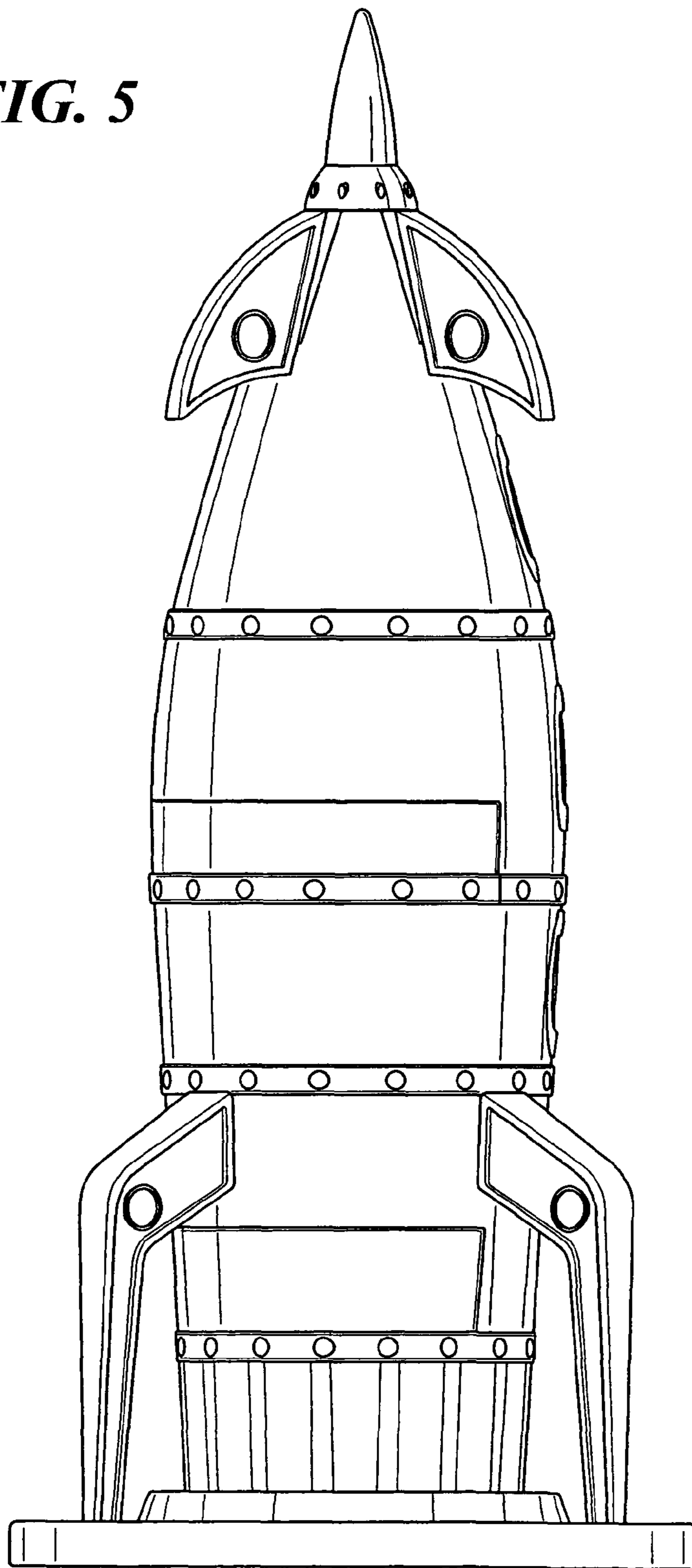


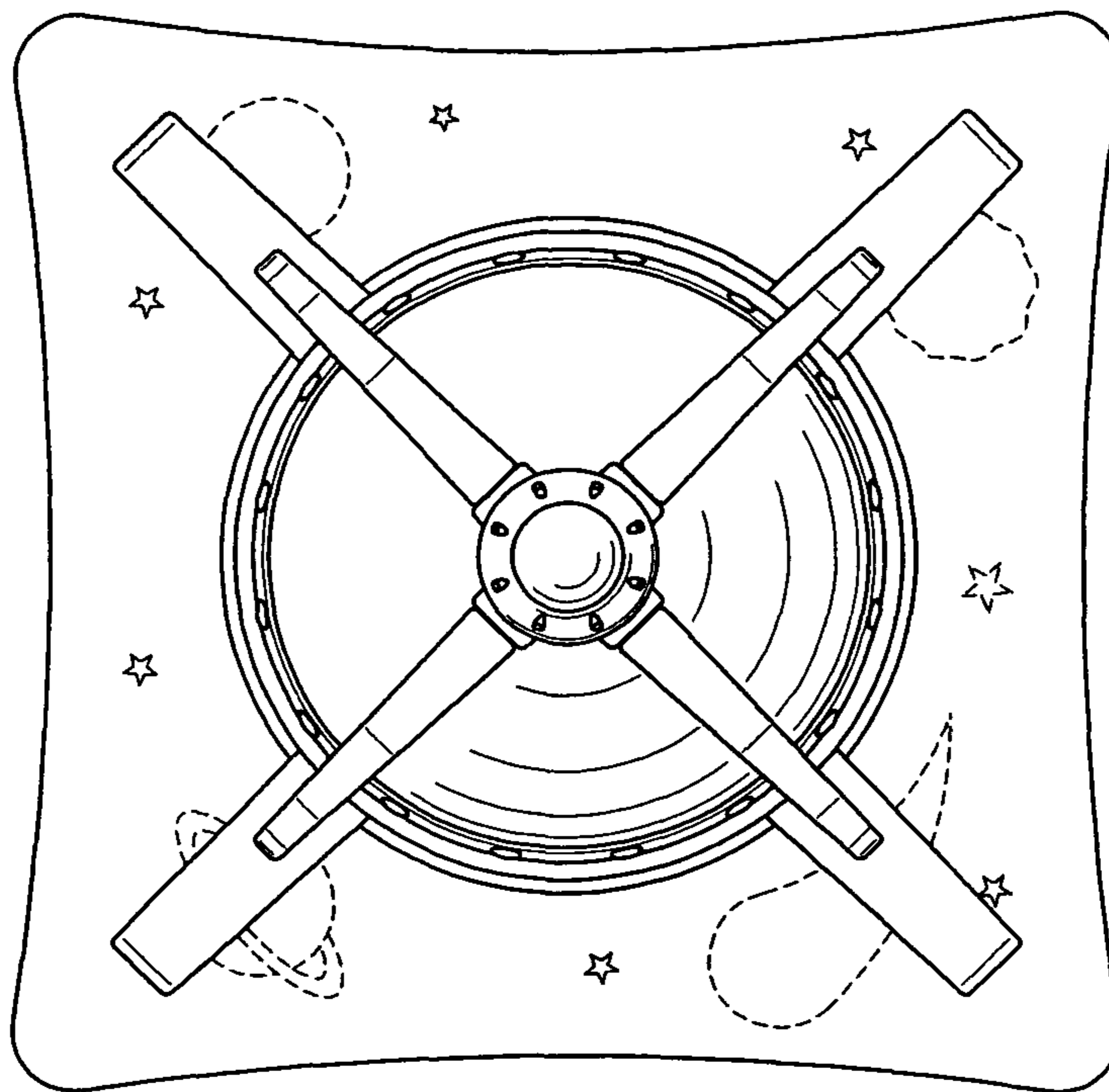


*FIG. 4*

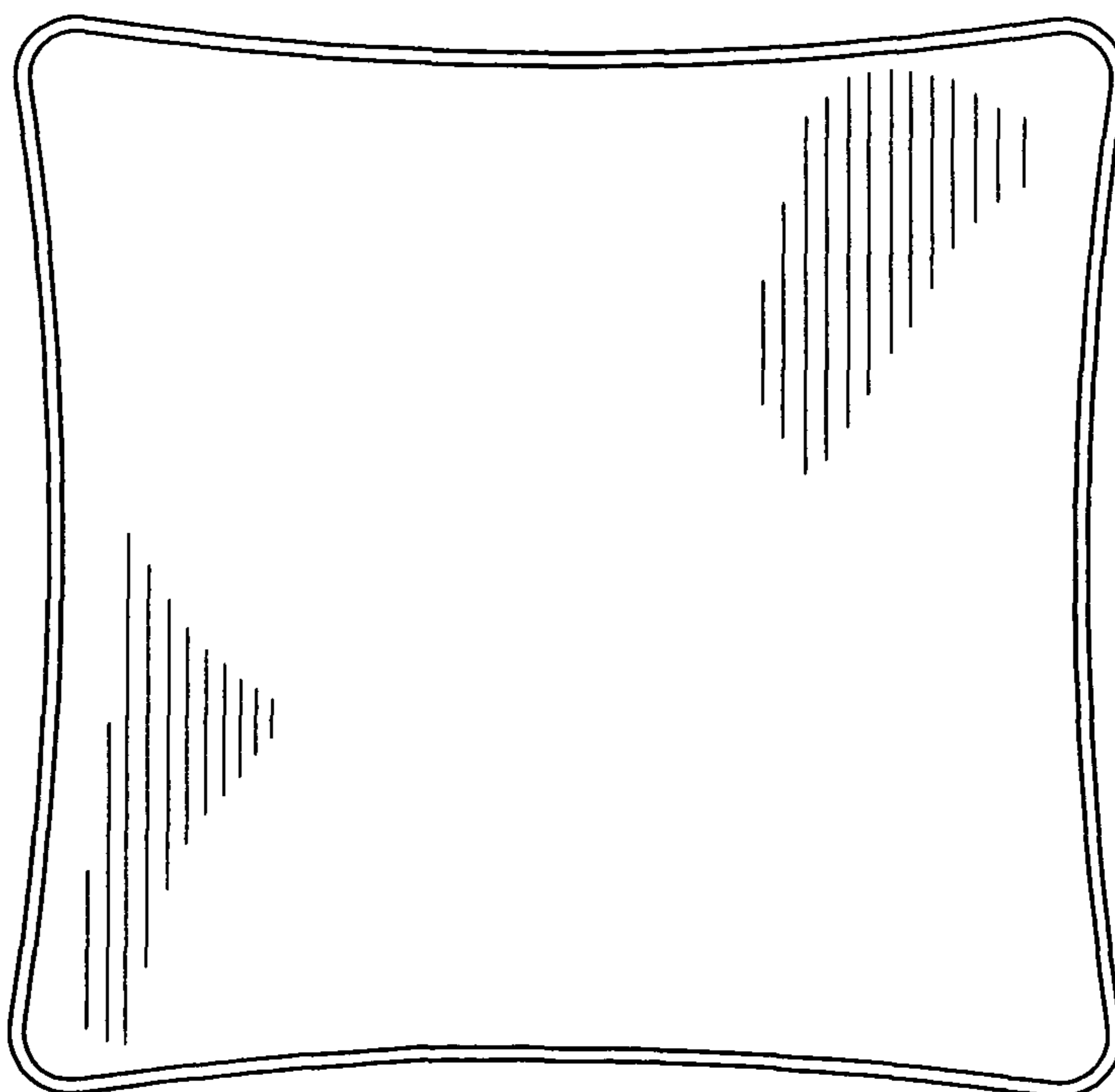


**FIG. 5**

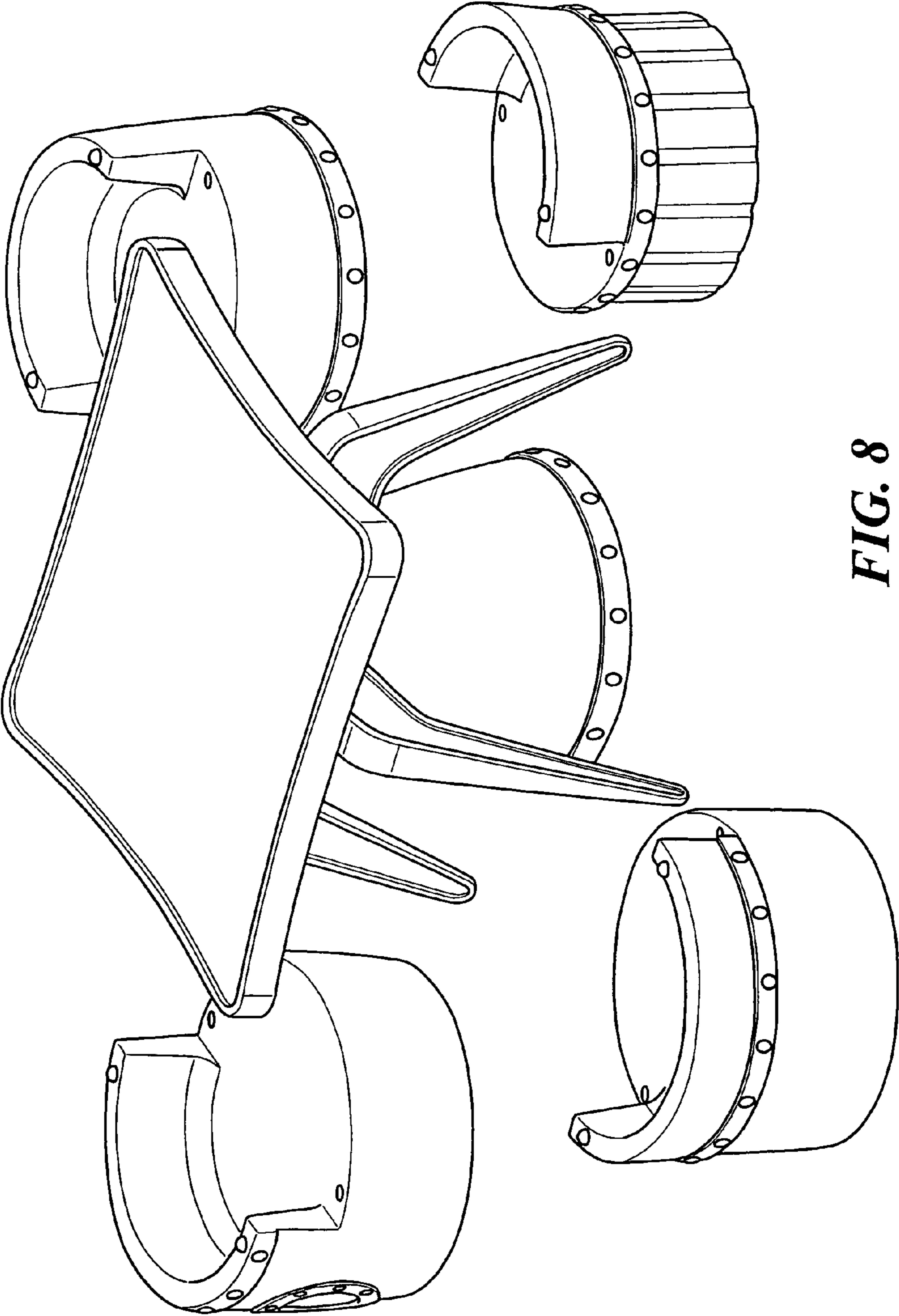




**FIG. 6**

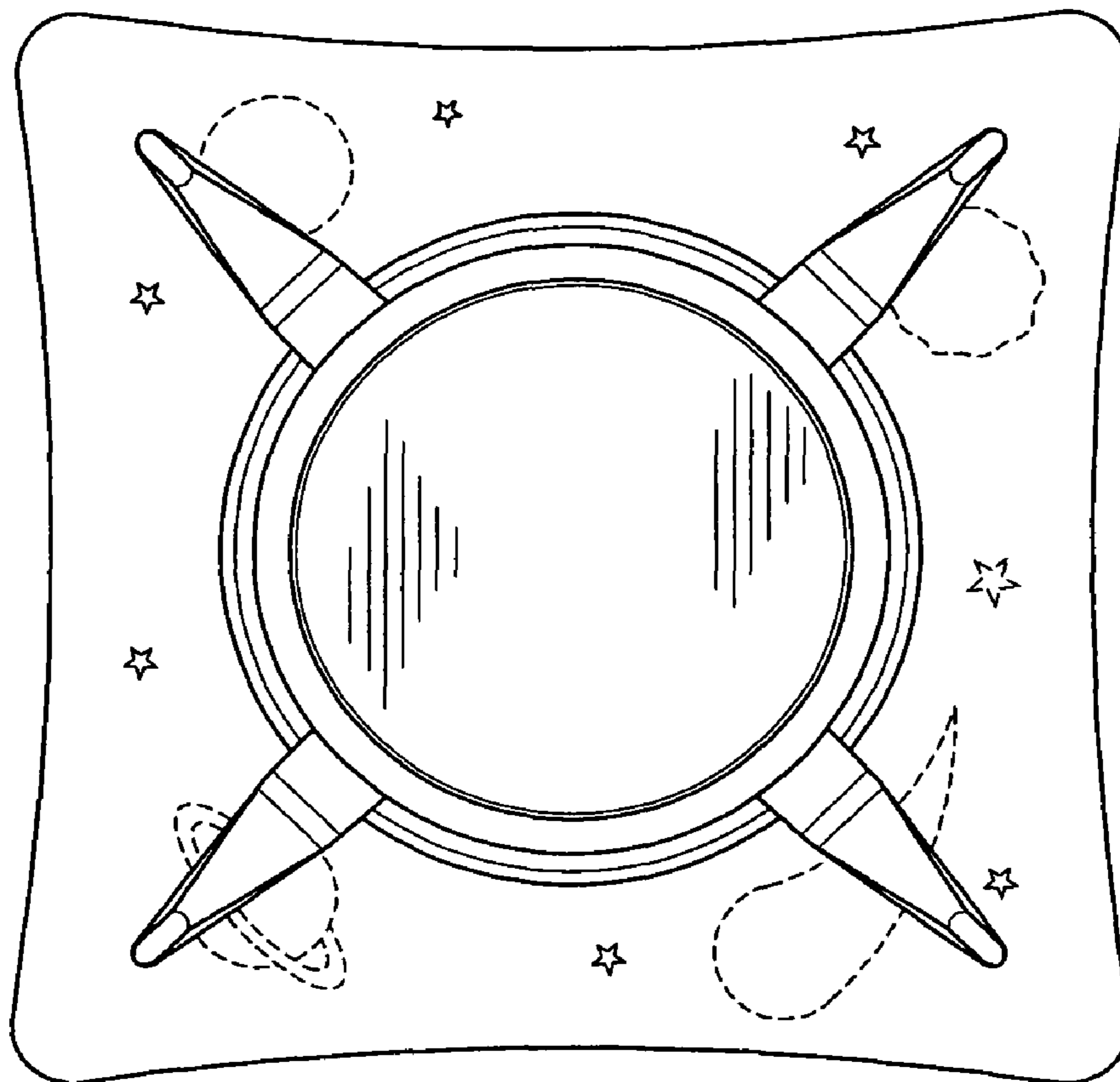


**FIG. 7**



**FIG. 8**





**FIG. 9**