

US00D624968S

(12) **United States Design Patent**
Tomiyoshi et al.

(10) **Patent No.:** **US D624,968 S**
(45) **Date of Patent:** **** Oct. 5, 2010**

(54) **DOCUMENT VALIDATOR WITH RECYCLE UNIT**

(75) Inventors: **Tetsuya Tomiyoshi**, Osaka (JP);
Tomonori Kitano, Osaka (JP)

(73) Assignee: **Japan Cash Machine Co., Ltd.**, Osaka (JP)

(**) Term: **14 Years**

(21) Appl. No.: **29/350,425**

(22) Filed: **Nov. 17, 2009**

Related U.S. Application Data

(62) Division of application No. 29/326,472, filed on Oct. 20, 2008.

(30) **Foreign Application Priority Data**

Apr. 21, 2008 (JP) 2008-10261

(51) **LOC (9) Cl.** **20-01**

(52) **U.S. Cl.** **D20/8**

(58) **Field of Classification Search** D20/1-9,
D20/99; 194/206, 217, 229, 232, 239, 302,
194/342, 344, 350, 750; D18/3.1, 3.2, 3.3;
D99/28; 209/534; 271/177, 181, 240; 463/29
See application file for complete search history.

(56) **References Cited**

U.S. PATENT DOCUMENTS

- D288,377 S 2/1987 Kobayashi et al.
- D320,814 S 10/1991 Yukimoto et al.
- D321,013 S 10/1991 Yukimoto et al.
- D331,781 S 12/1992 Nishiumi et al.
- 5,653,436 A 8/1997 Zouzoulas
- 5,700,195 A * 12/1997 Halic 463/29
- D404,075 S 1/1999 Hatamachi et al.
- 6,149,150 A 11/2000 Onipchenko et al.
- D452,873 S 1/2002 Nakao

- D476,688 S 7/2003 Yu
- D477,902 S 7/2003 Bergeron et al.
- D488,512 S 4/2004 Knobel
- D490,473 S 5/2004 Knobel
- D523,482 S 6/2006 Uemizo
- D544,027 S * 6/2007 Nunn et al. D18/3.3
- D547,806 S 7/2007 Uemizo
- 2002/0066636 A1 6/2002 Saltsov et al.
- 2004/0050651 A1 3/2004 Heidel
- 2006/0225987 A1 10/2006 Chien et al.
- 2007/0023255 A1 * 2/2007 Nunn et al. 194/206
- 2007/0084695 A1 * 4/2007 Yu 194/206
- 2008/0116034 A1 5/2008 Yang
- 2009/0133986 A1 * 5/2009 Thum et al. 194/206

FOREIGN PATENT DOCUMENTS

- TW 488854 5/1990
- TW D112556 7/1994

* cited by examiner

Primary Examiner—Mary Ann Calabrese

(74) *Attorney, Agent, or Firm*—Bachman & LaPointe, P.C.

(57) **CLAIM**

The ornamental design for a document validator with recycle unit, as shown.

DESCRIPTION

FIG. 1 is a front perspective view with a recycle unit from right upper side;

FIG. 2 is a front perspective view with the recycle unit from left upper side;

FIG. 3 is a rear perspective view with the recycle unit from right upper side; and,

FIG. 4 is a rear perspective view with the recycle unit from left upper side.

In the drawings, the broken lines represent portions of the document validator with recycle unit that form no part of the claimed design.

1 Claim, 4 Drawing Sheets

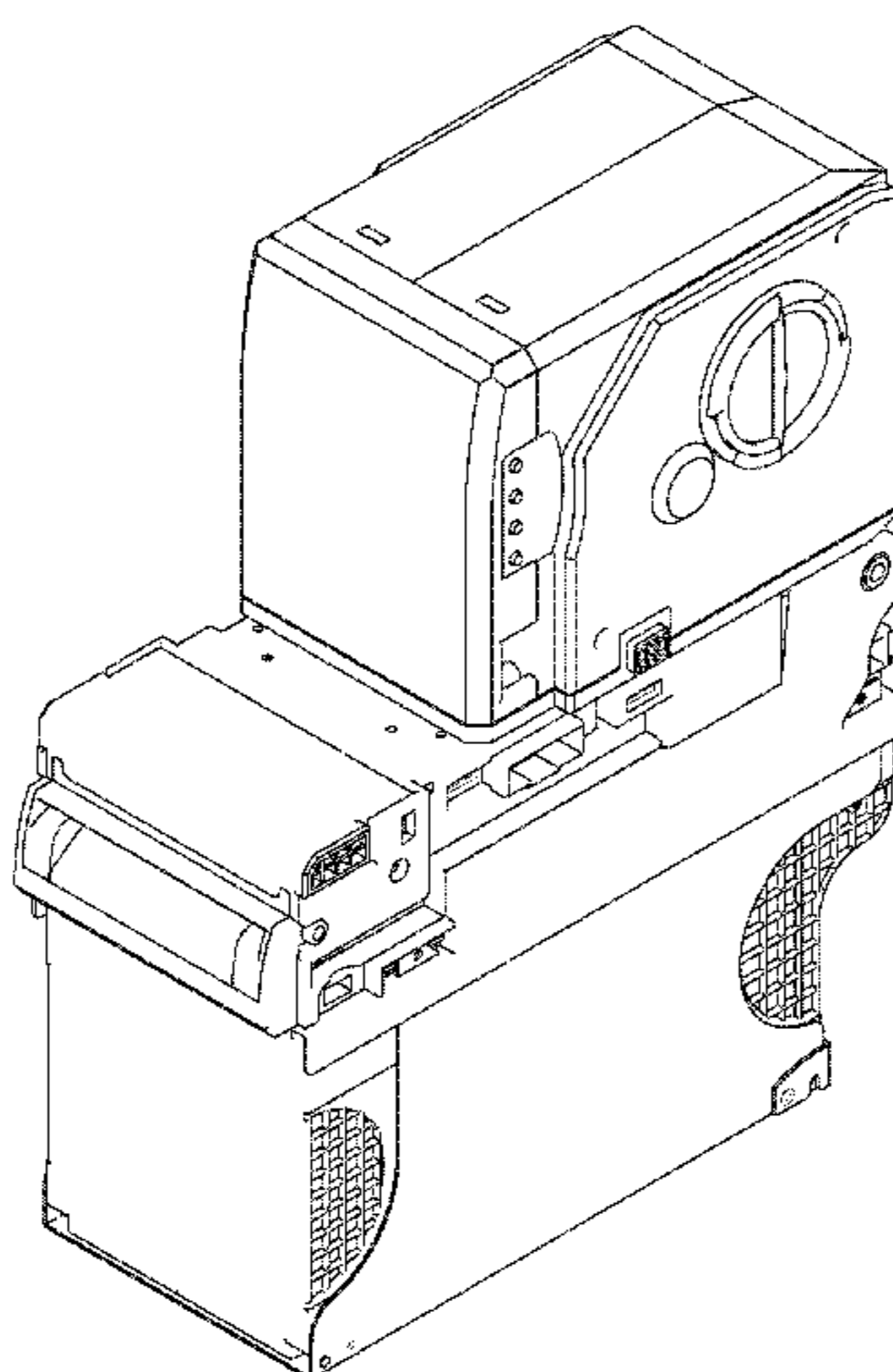


FIG. 1

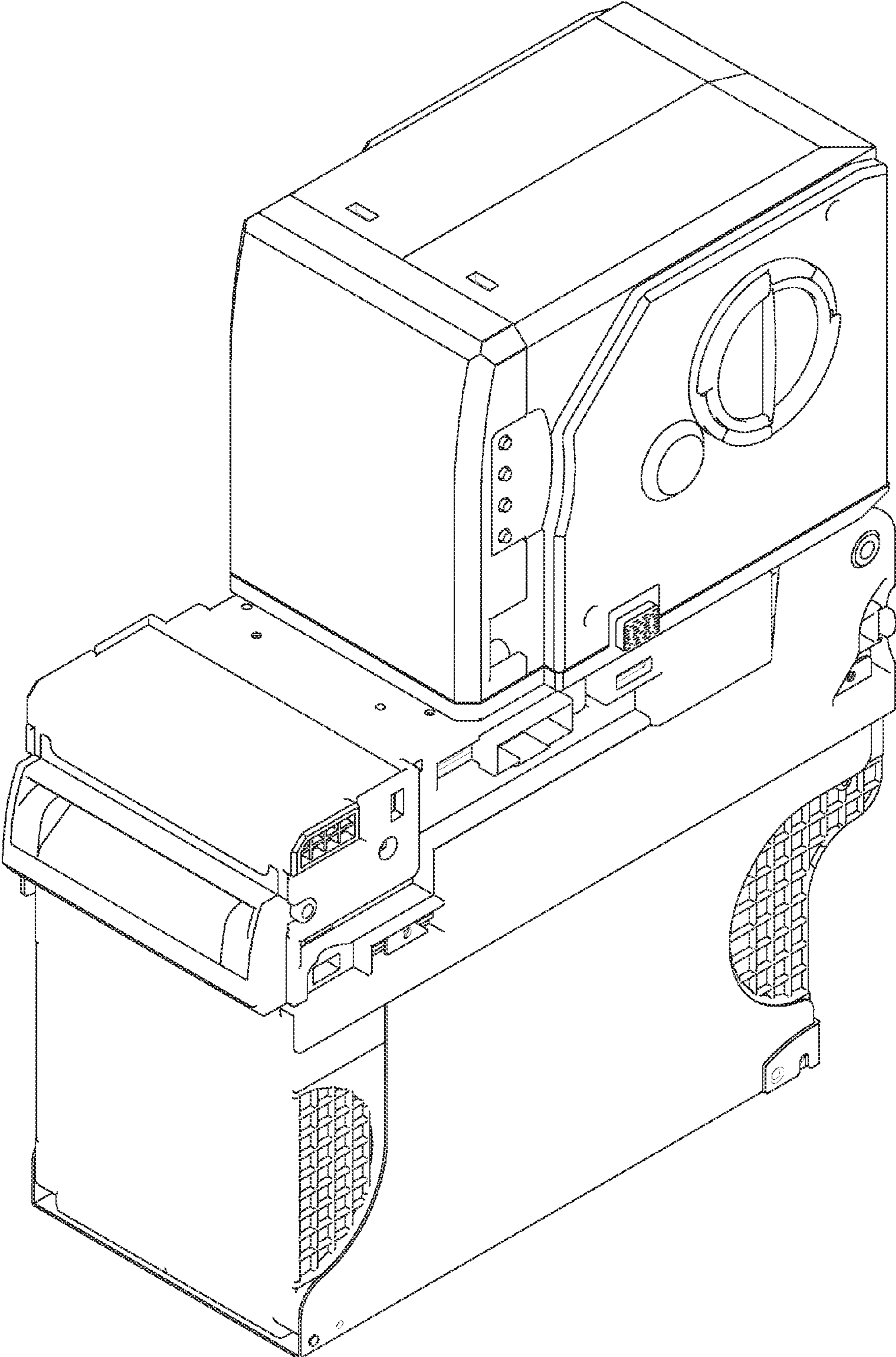


FIG. 2

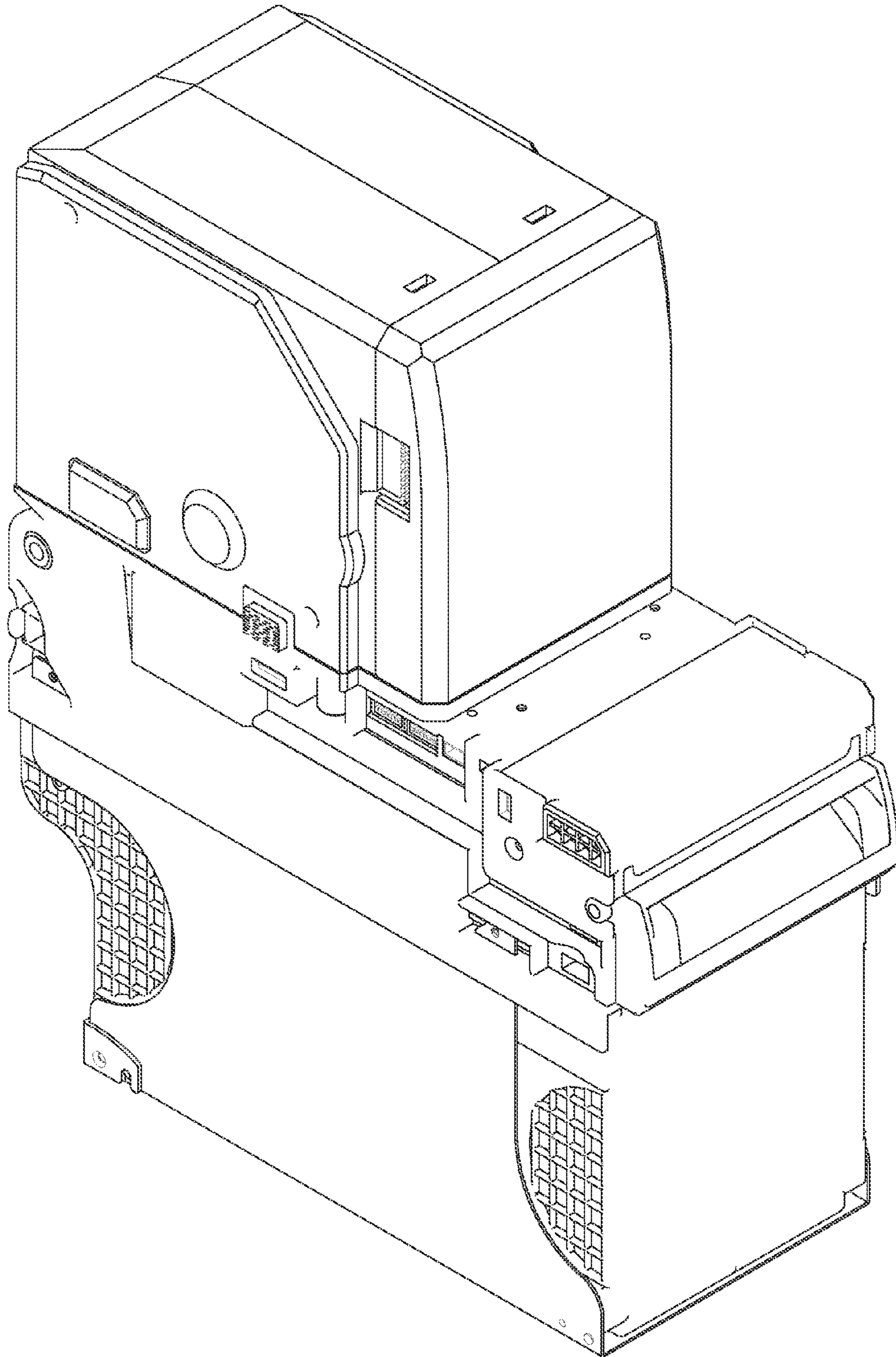


FIG. 3

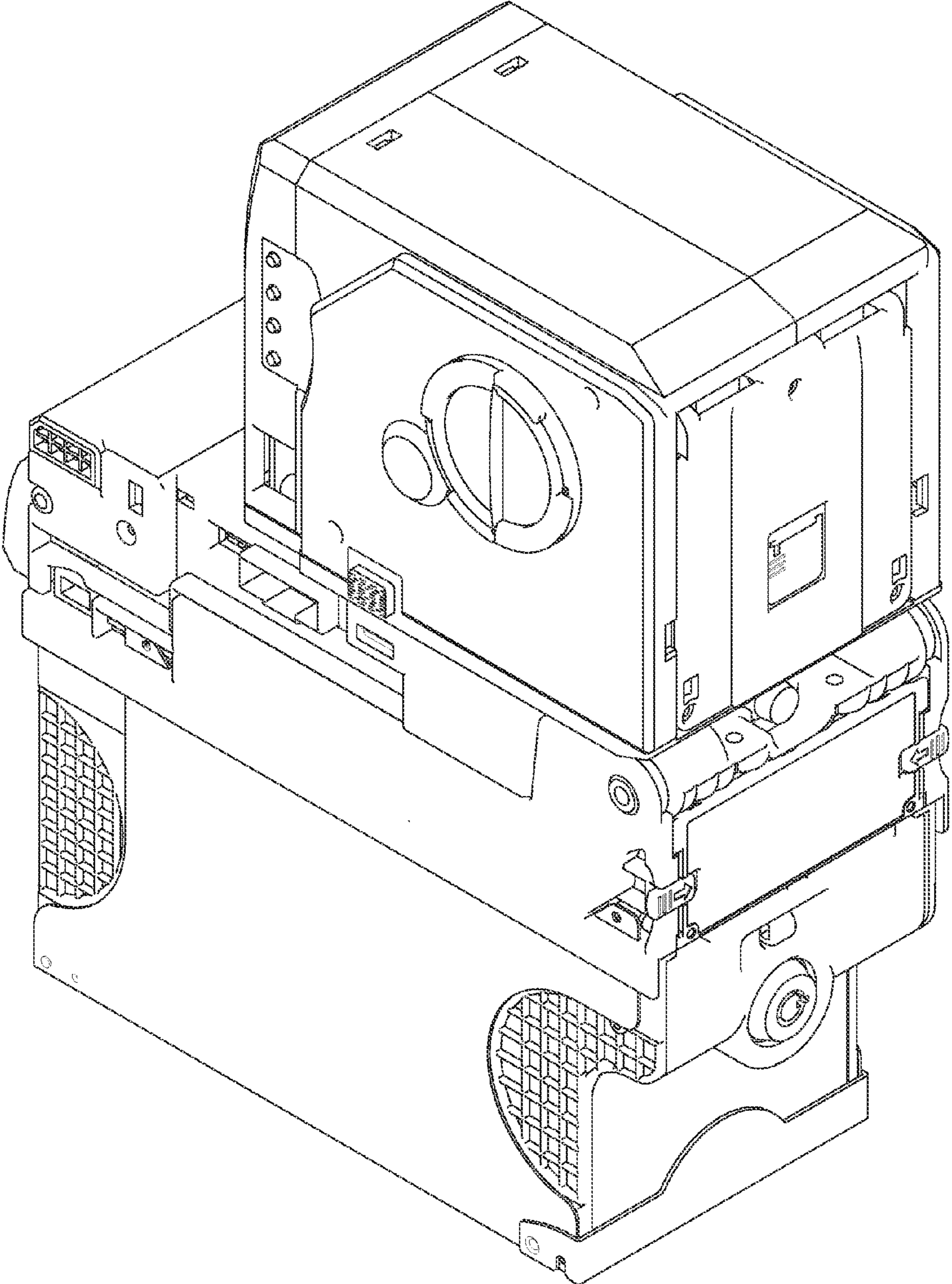


FIG. 4

