



US00D624967S

(12) **United States Design Patent**
Jour

(10) **Patent No.:** **US D624,967 S**
(45) **Date of Patent:** **** Oct. 5, 2010**

(54) **SELF-ADHESIVE MEMO TAPE DISPENSER**

(75) Inventor: **David C. T. Jour**, Taipei (TW)

(73) Assignee: **Kudos Finder Trading Co., Ltd.**, Taipei (TW)

(**) Term: **14 Years**

(21) Appl. No.: **29/345,378**

(22) Filed: **Oct. 14, 2009**

(51) **LOC (9) Cl.** **19-02**

(52) **U.S. Cl.** **D19/86**

(58) **Field of Classification Search** D3/206,
D3/310, 315; D19/75, 77-86, 90-95; 24/11 CC,
24/11 CT, 11 F, 11 P, 11 R, 3.7; 206/214,
206/224, 371, 486; 211/69.1-69.9
See application file for complete search history.

(56) **References Cited**

U.S. PATENT DOCUMENTS

D165,156 S *	11/1951	Kandarian	D19/83
3,738,038 A *	6/1973	Ganz	40/111
4,416,392 A *	11/1983	Smith	221/45
D272,917 S *	3/1984	Micucci	D19/78
4,653,666 A *	3/1987	Mertens	221/45
D305,777 S *	1/1990	Lee	D19/85
4,993,590 A *	2/1991	Windorski	221/46
5,143,250 A *	9/1992	Freitag	221/59
D331,075 S *	11/1992	Dotterman et al.	D19/86
5,161,712 A *	11/1992	Olson	221/45
D332,284 S *	1/1993	Van Eijben et al.	D19/86

D348,484 S *	7/1994	Blackwell et al.	D19/69
D405,831 S *	2/1999	Jarjoura	D19/78
D410,951 S *	6/1999	Schwarzwaelder	D19/36
D456,849 S *	5/2002	Thompson et al.	D19/86
6,837,395 B2 *	1/2005	Windorski et al.	221/1
D508,955 S *	8/2005	Jour	D19/86
D545,905 S *	7/2007	Chen et al.	D19/86
D548,794 S *	8/2007	Jour	D19/86
D551,715 S *	9/2007	Chen et al.	D19/86
D592,703 S *	5/2009	Graham	D19/81
D608,394 S *	1/2010	Leanza	D19/81
2006/0261077 A1 *	11/2006	Bodziak	221/33

* cited by examiner

Primary Examiner—Elizabeth A Albert

(57) **CLAIM**

The ornamental design for a self-adhesive memo tape dispenser, as shown and described.

DESCRIPTION

FIG. 1 is a front view of a self-adhesive memo tape dispenser showing my new design;

FIG. 2 is a rear view thereof;

FIG. 3 is a left side view thereof;

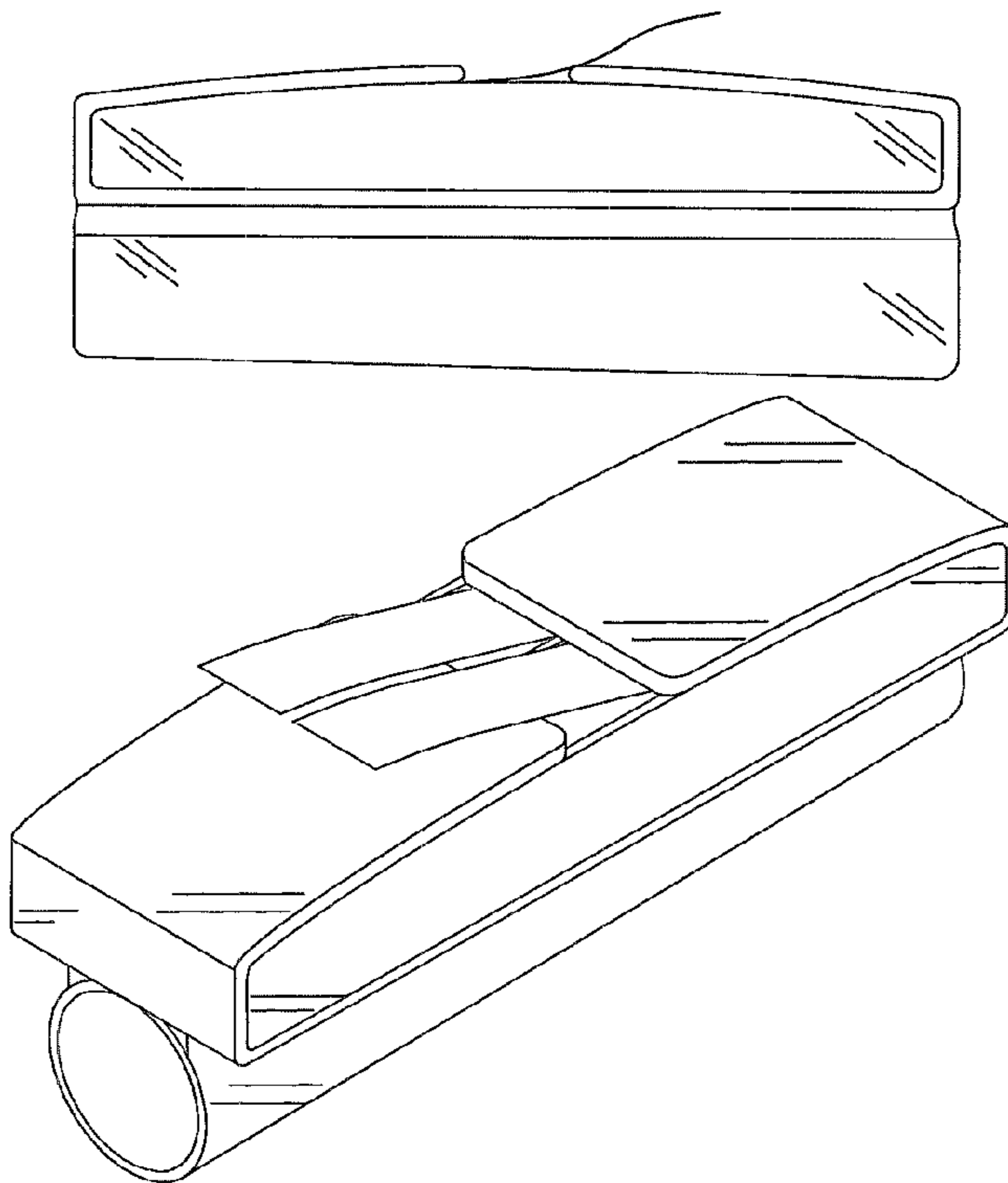
FIG. 4 is a right side view thereof;

FIG. 5 is a top plan view thereof;

FIG. 6 is a bottom plan view thereof; and,

FIG. 7 is a perspective view thereof.

1 Claim, 4 Drawing Sheets



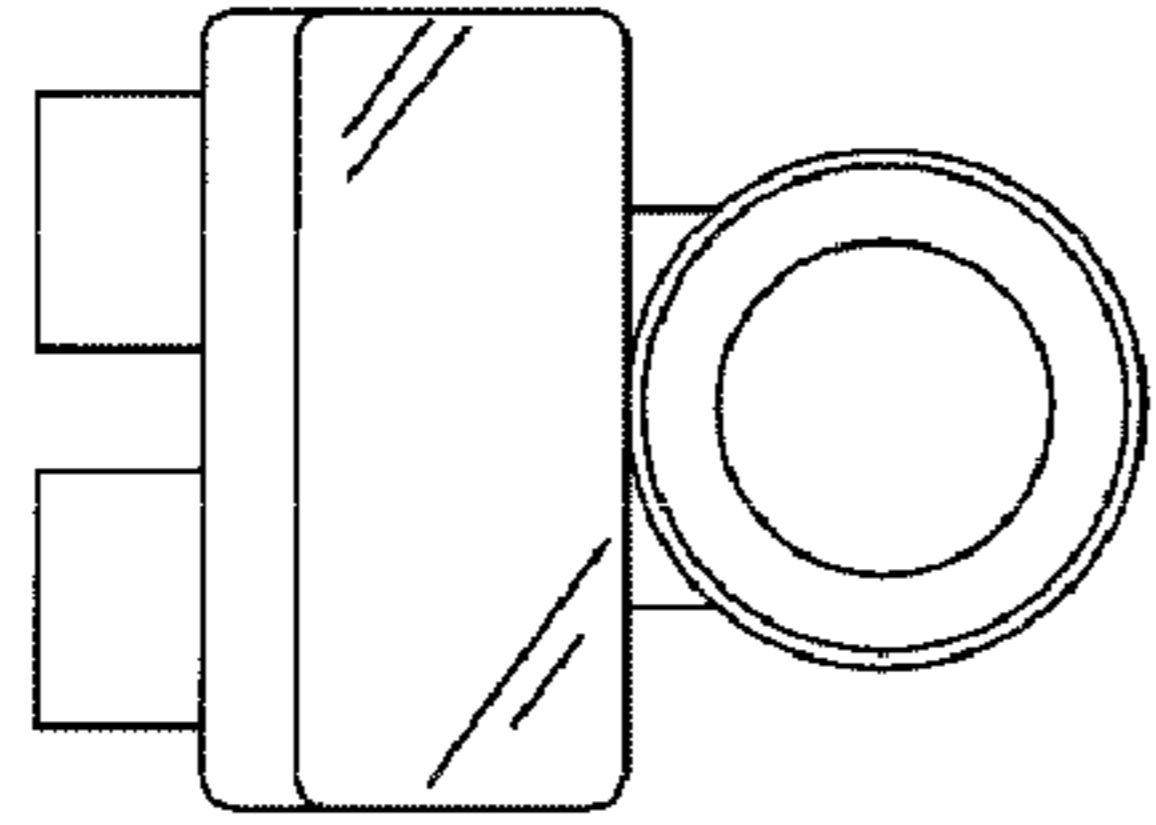


Fig. 1

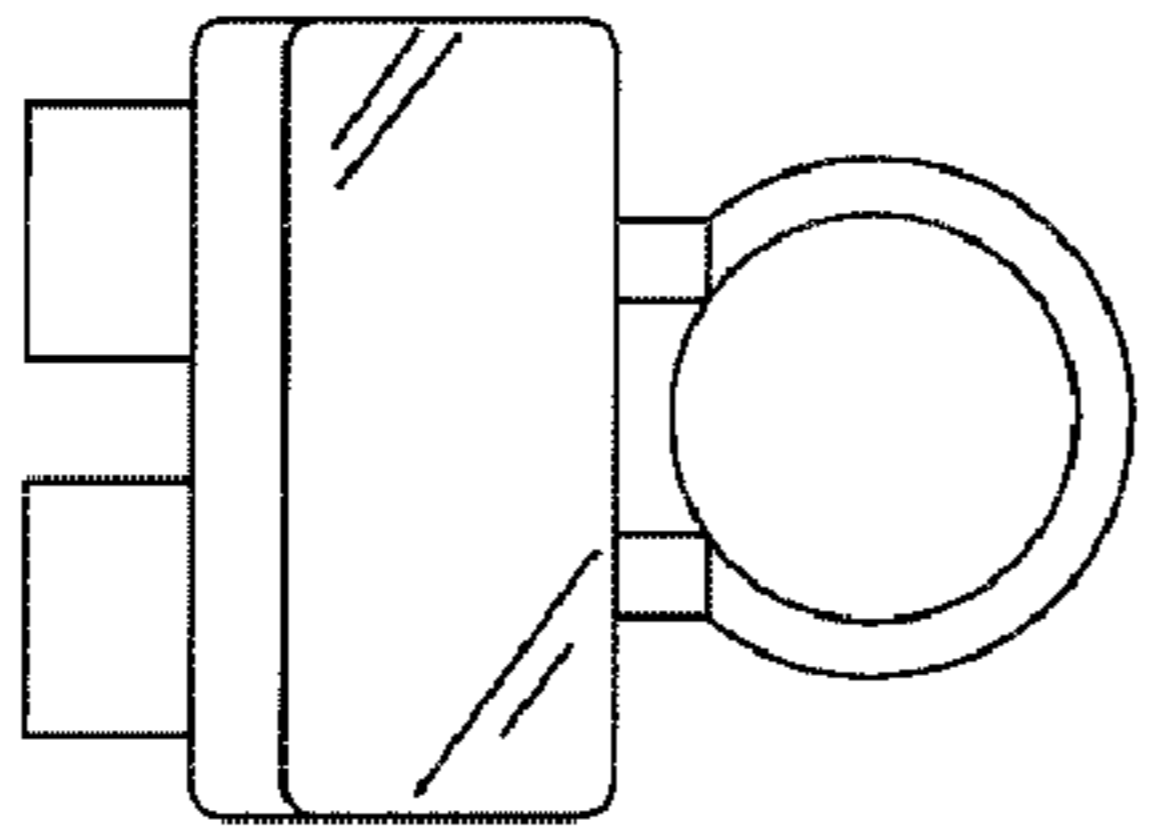


Fig. 2

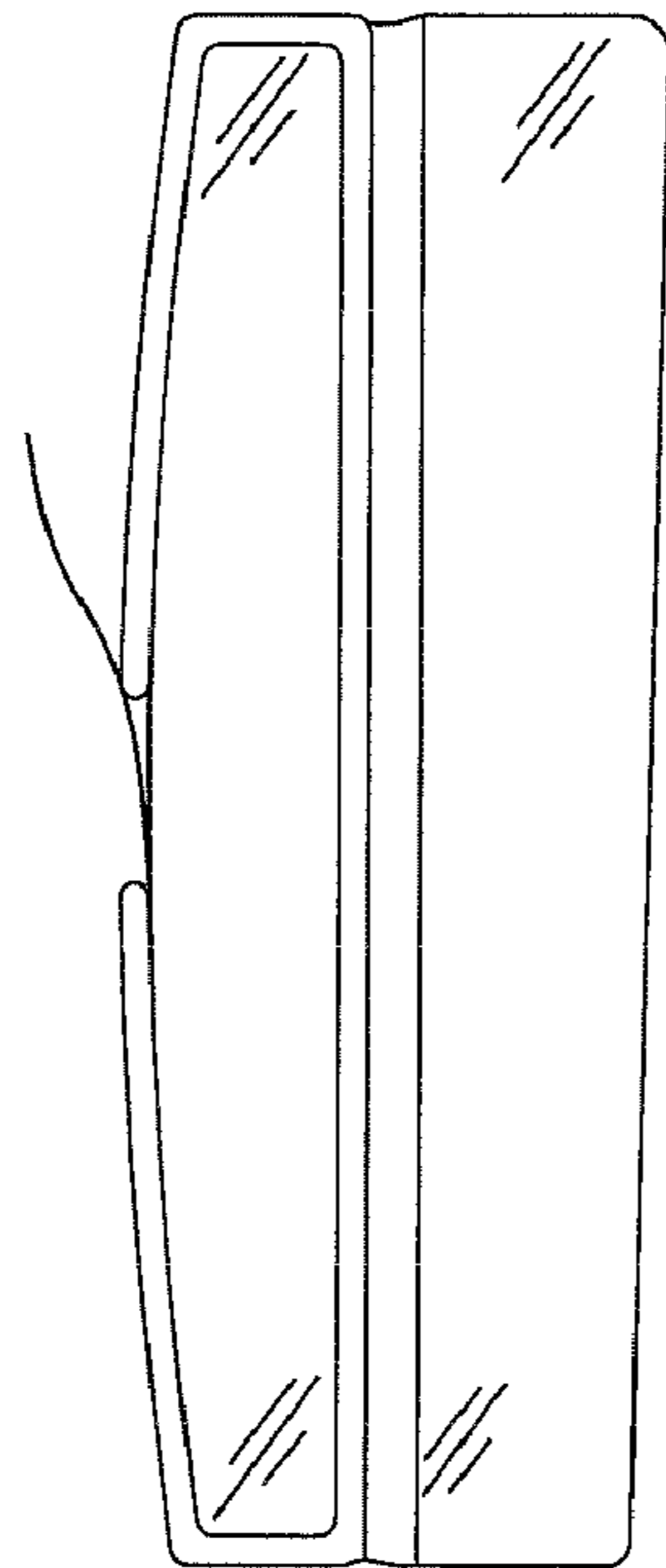


Fig. 3

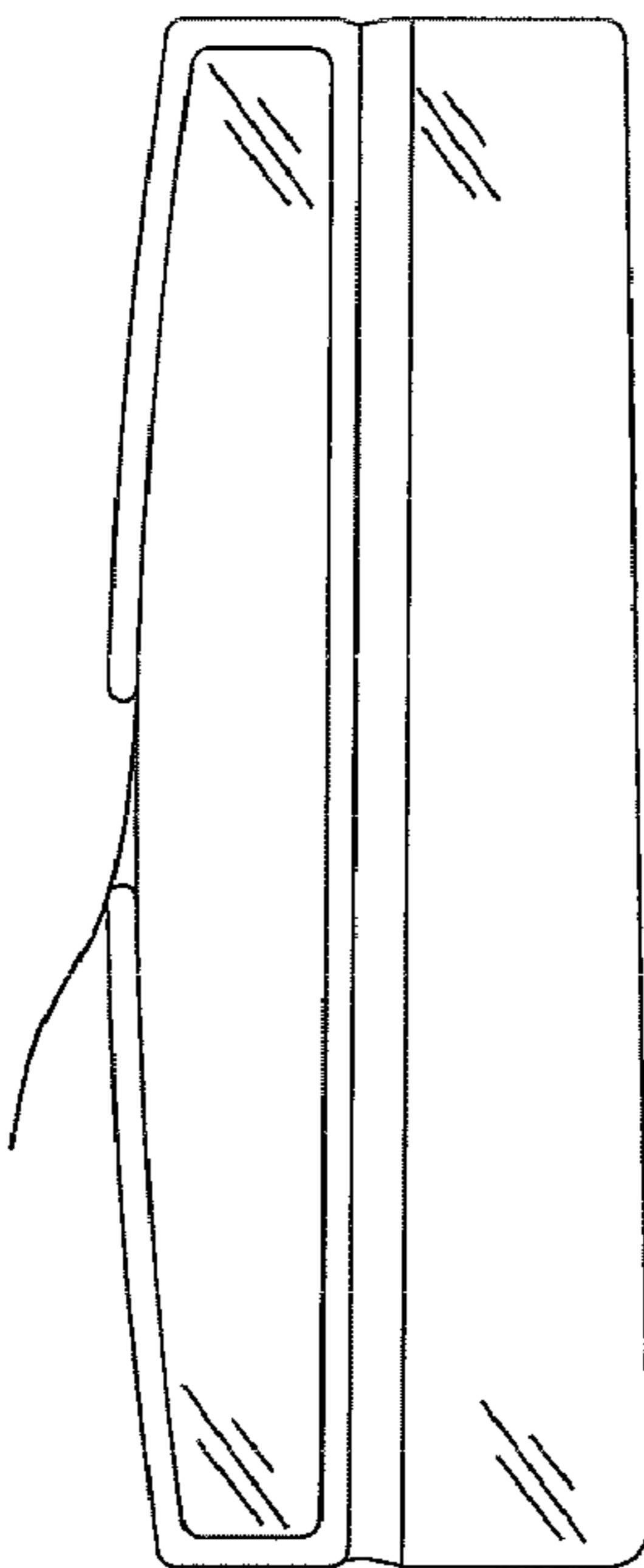


Fig. 4

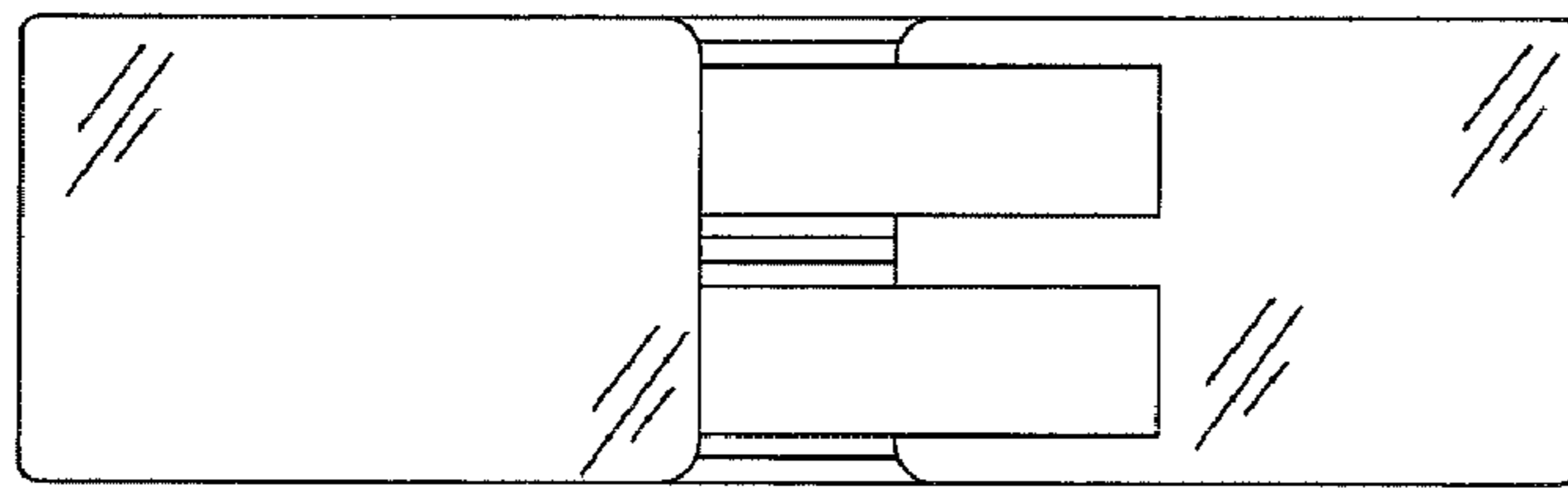


Fig. 5

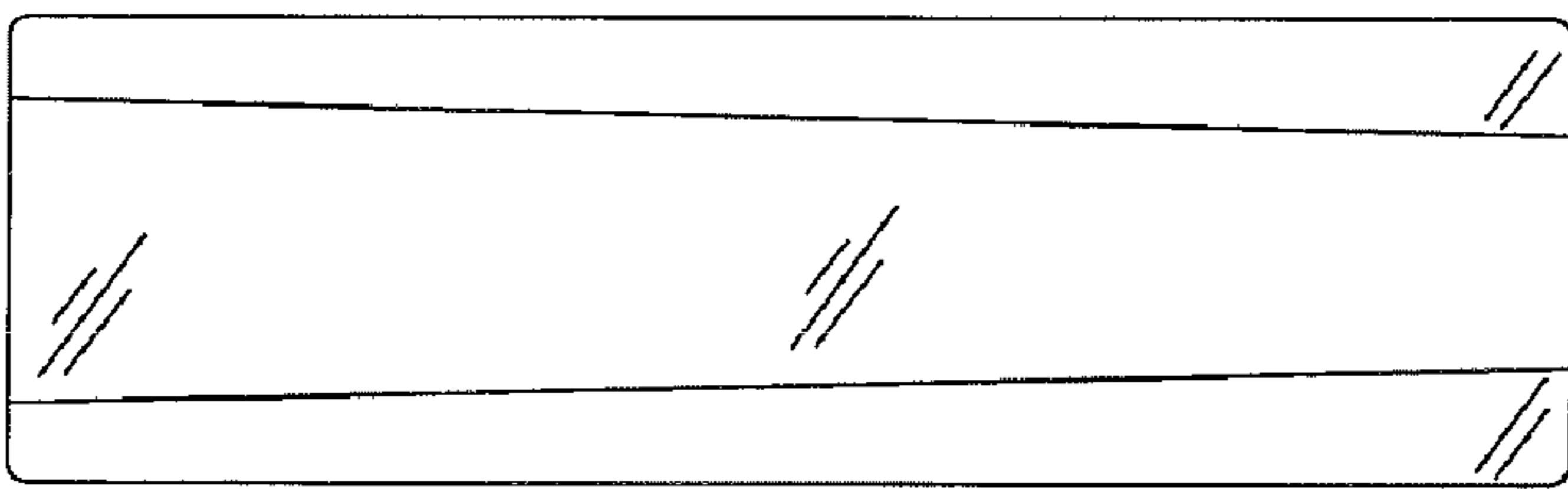


Fig. 6

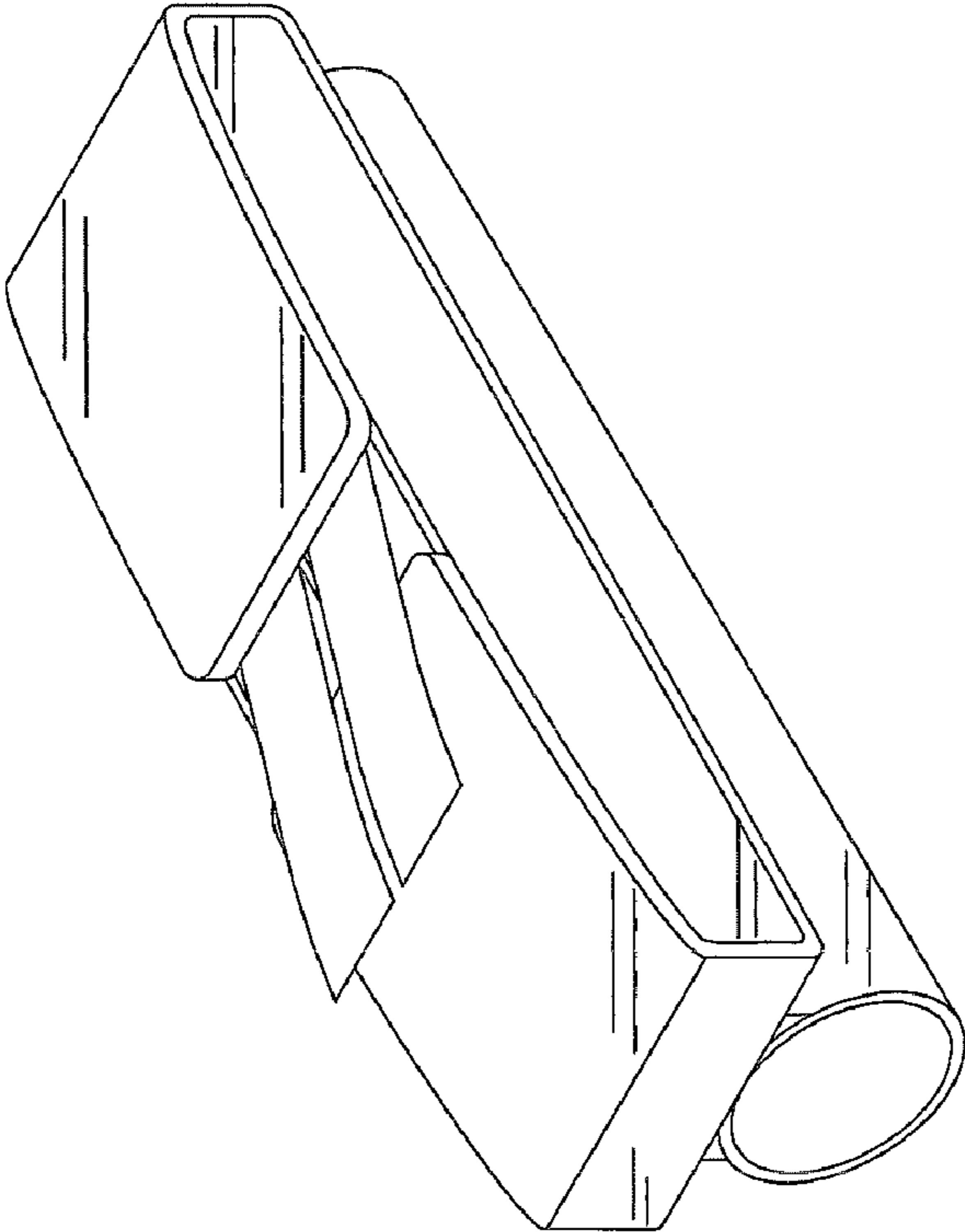


Fig. 7