



US00D624966S

(12) **United States Design Patent**
Crisp

(10) **Patent No.:** **US D624,966 S**

(45) **Date of Patent:** **** Oct. 5, 2010**

(54) **ELECTRONIC PEN STAND**

(75) Inventor: **Thomas Crisp**, Beaverton, OR (US)

(73) Assignee: **Wacom Co., Ltd.**, Saitama (JP)

(**) Term: **14 Years**

(21) Appl. No.: **29/338,754**

(22) Filed: **Jun. 17, 2009**

(30) **Foreign Application Priority Data**

Dec. 26, 2008 (JP) 2008-033127

(51) **LOC (9) Cl.** **19-06**

(52) **U.S. Cl.** **D19/85**

(58) **Field of Classification Search** D3/206,
D3/310, 313; D7/606, 624.2, 625; D9/741,
D9/747, 779; D19/75, 77-86, 90-95; D34/1;
206/214, 224, 371, 457; 211/69.1-69.9,
211/70

See application file for complete search history.

(56) **References Cited**

U.S. PATENT DOCUMENTS

RE23,659 E * 5/1953 Steine 211/69
D187,897 S * 5/1960 Kipp D19/75
3,044,610 A * 7/1962 Tupper 220/270
3,298,532 A * 1/1967 Wilcke 211/70.6
D221,625 S * 8/1971 Kinney D9/428
4,867,332 A * 9/1989 Mains 220/735
4,947,998 A * 8/1990 Smeller 211/70.6
D317,120 S * 5/1991 Schwartzburg D9/778
D325,594 S * 4/1992 Ditzig D11/131
5,186,329 A * 2/1993 Fogelberg 206/372
5,350,065 A * 9/1994 Darrey 206/373
D388,829 S * 1/1998 Lage D19/85
5,810,197 A * 9/1998 Mazzarolo 220/805
D472,712 S * 4/2003 Sagen D3/315
D534,807 S * 1/2007 Smay et al. D9/558

D543,790 S * 6/2007 Szymanski D7/607
D566,770 S * 4/2008 Cetera D19/77
7,594,353 B2 * 9/2009 Lucky 43/21.2
D605,902 S * 12/2009 Reinthaler et al. D7/624.3
D610,411 S * 2/2010 Holladay D7/624.2

FOREIGN PATENT DOCUMENTS

DE DM/062414 * 10/2002

* cited by examiner

Primary Examiner—Elizabeth A Albert

(74) *Attorney, Agent, or Firm*—Seed IP Law Group PLLC

(57) **CLAIM**

The ornamental design for an electronic pen stand, as shown and described.

DESCRIPTION

FIG. 1 is a perspective view of an electronic pen stand showing my new design;

FIG. 2 is a front elevational view thereof;

FIG. 3 is a back elevational view thereof;

FIG. 4 is a right side elevational view thereof;

FIG. 5 is a left side elevational view thereof;

FIG. 6 is a top plan view thereof;

FIG. 7 is a bottom plan view thereof;

FIG. 8 is a perspective view of a base portion thereof, with the upper portion removed and not shown for convenience;

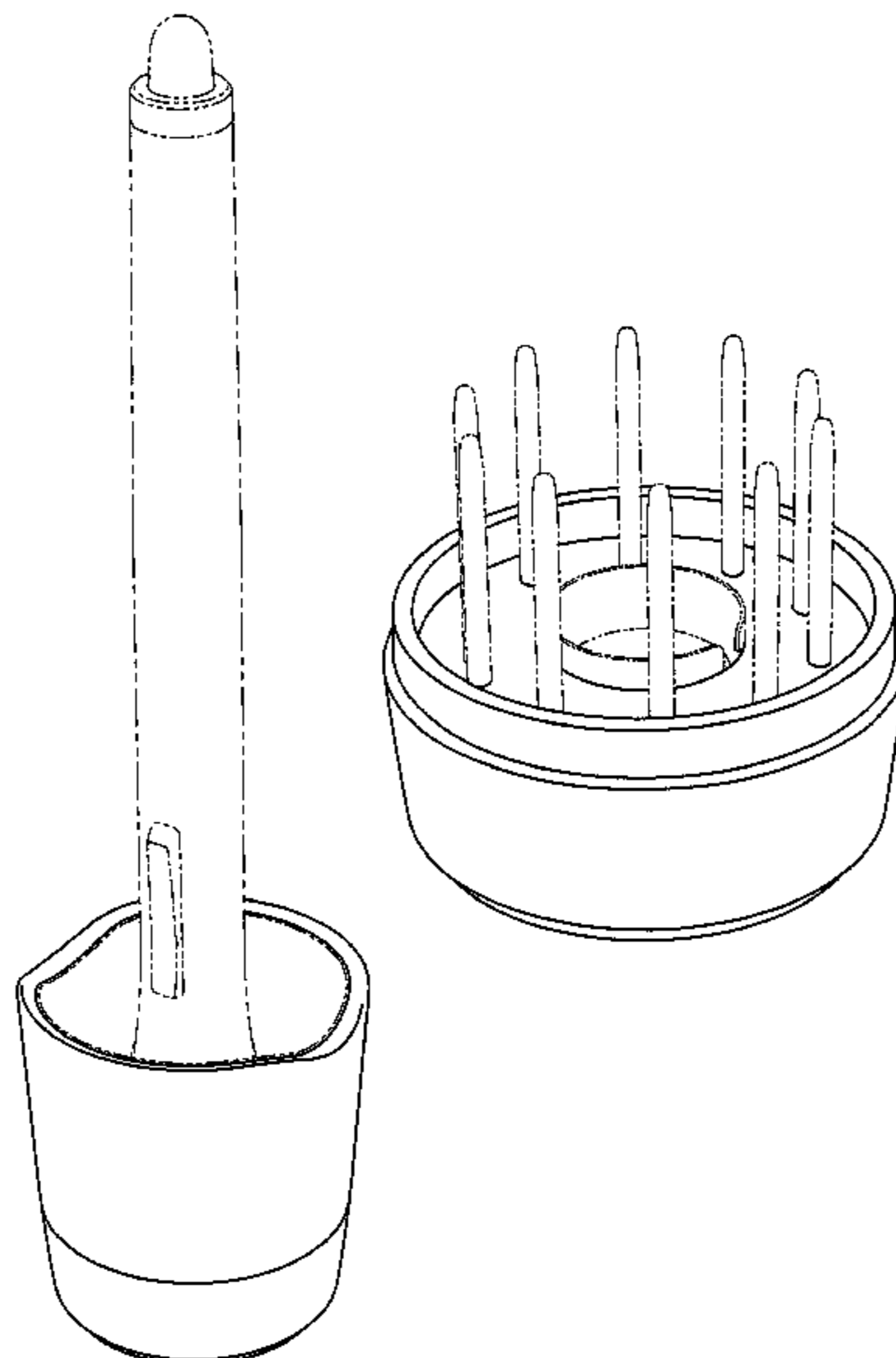
FIG. 9 is a front, back, right side, or left side elevational view of the base portion of FIG. 8;

FIG. 10 is a top plan view of the base portion of FIG. 8; and,

FIG. 11 is a bottom plan view of the base portion of FIG. 8.

The pen and features of the pen stand shown in broken lines are shown for environmental purposes only and form no part of the claimed design.

1 Claim, 6 Drawing Sheets



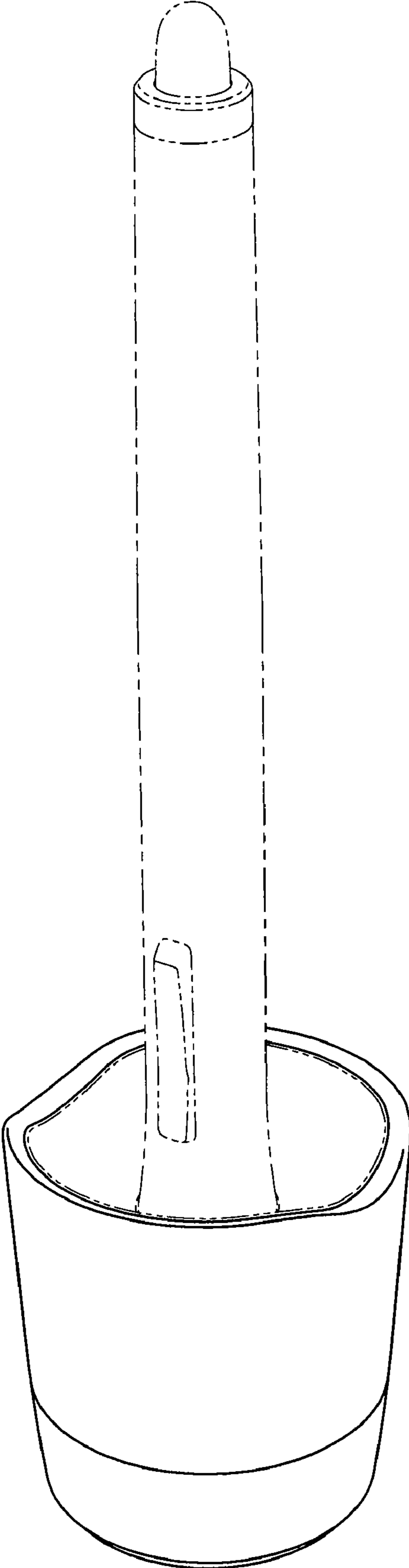


Fig. 1.

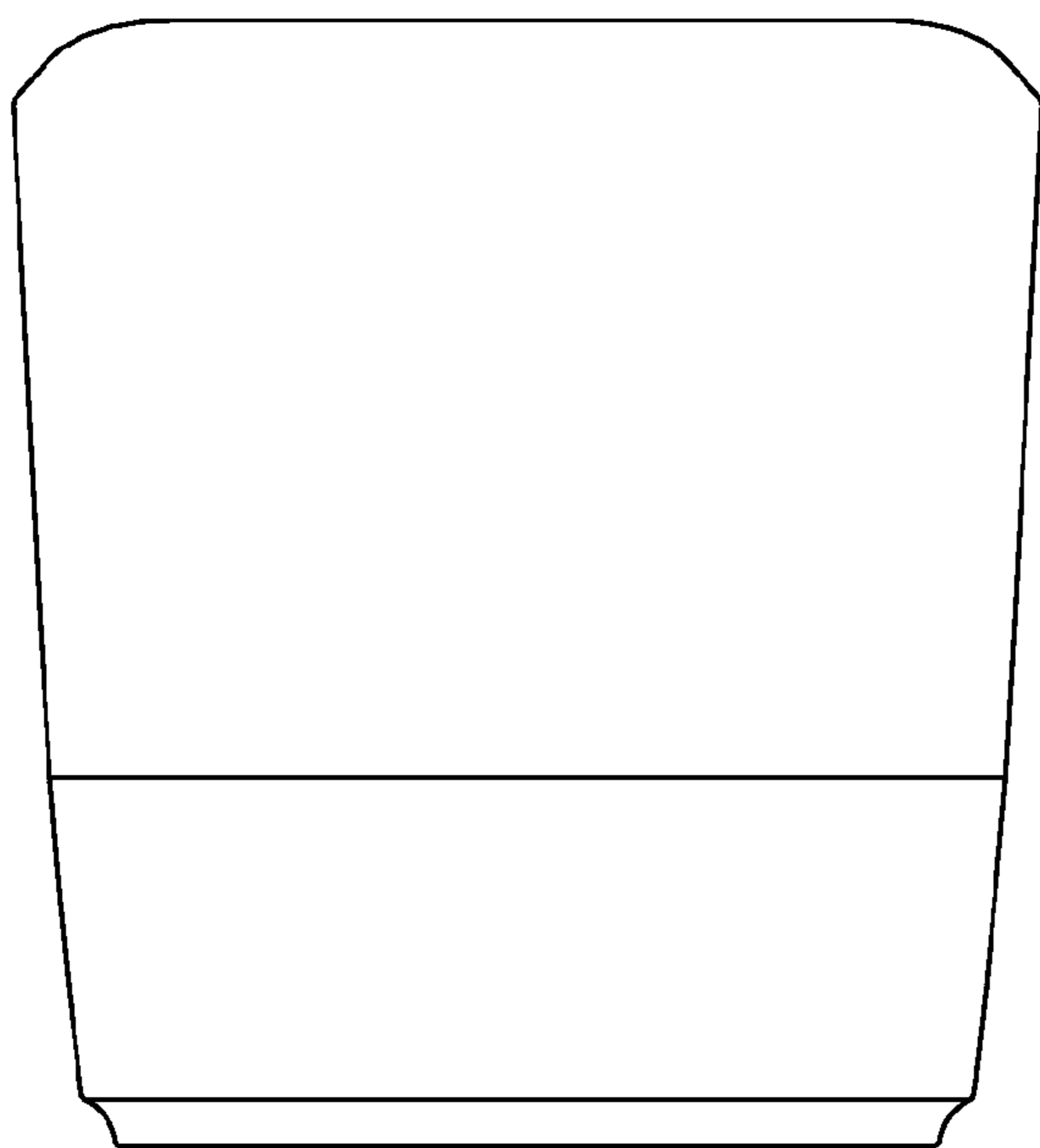


Fig. 2.

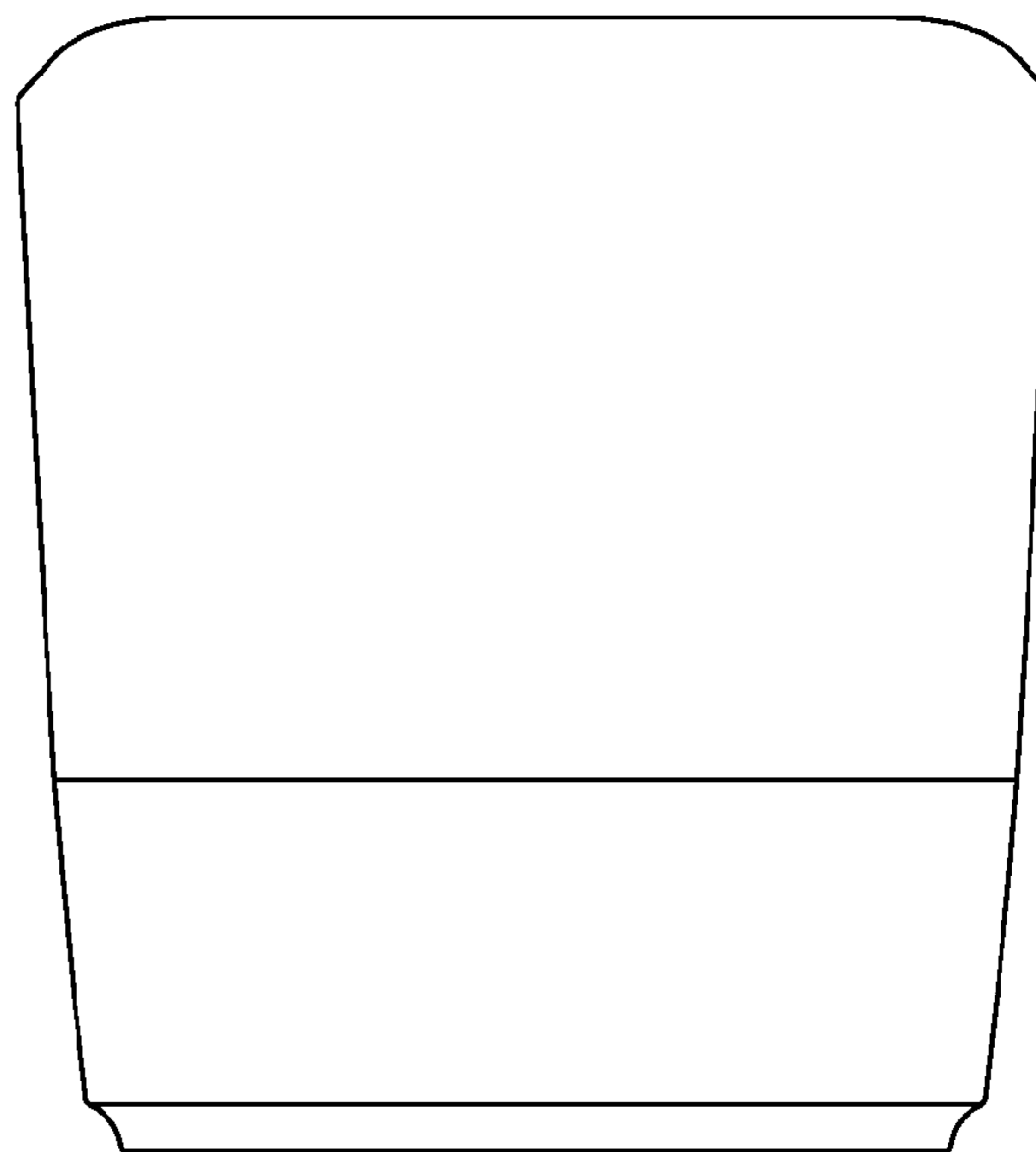


Fig. 3.

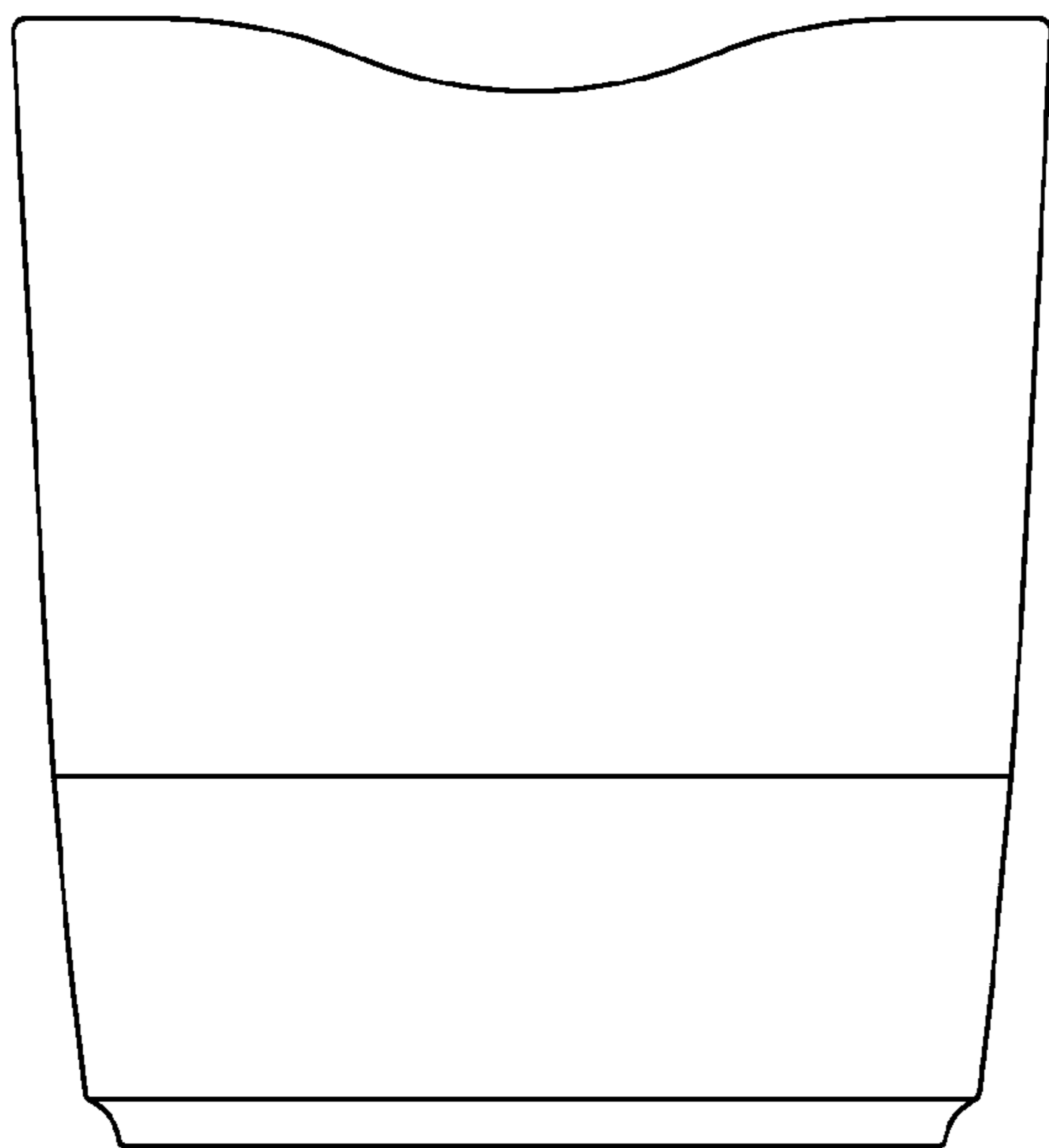


Fig.4.

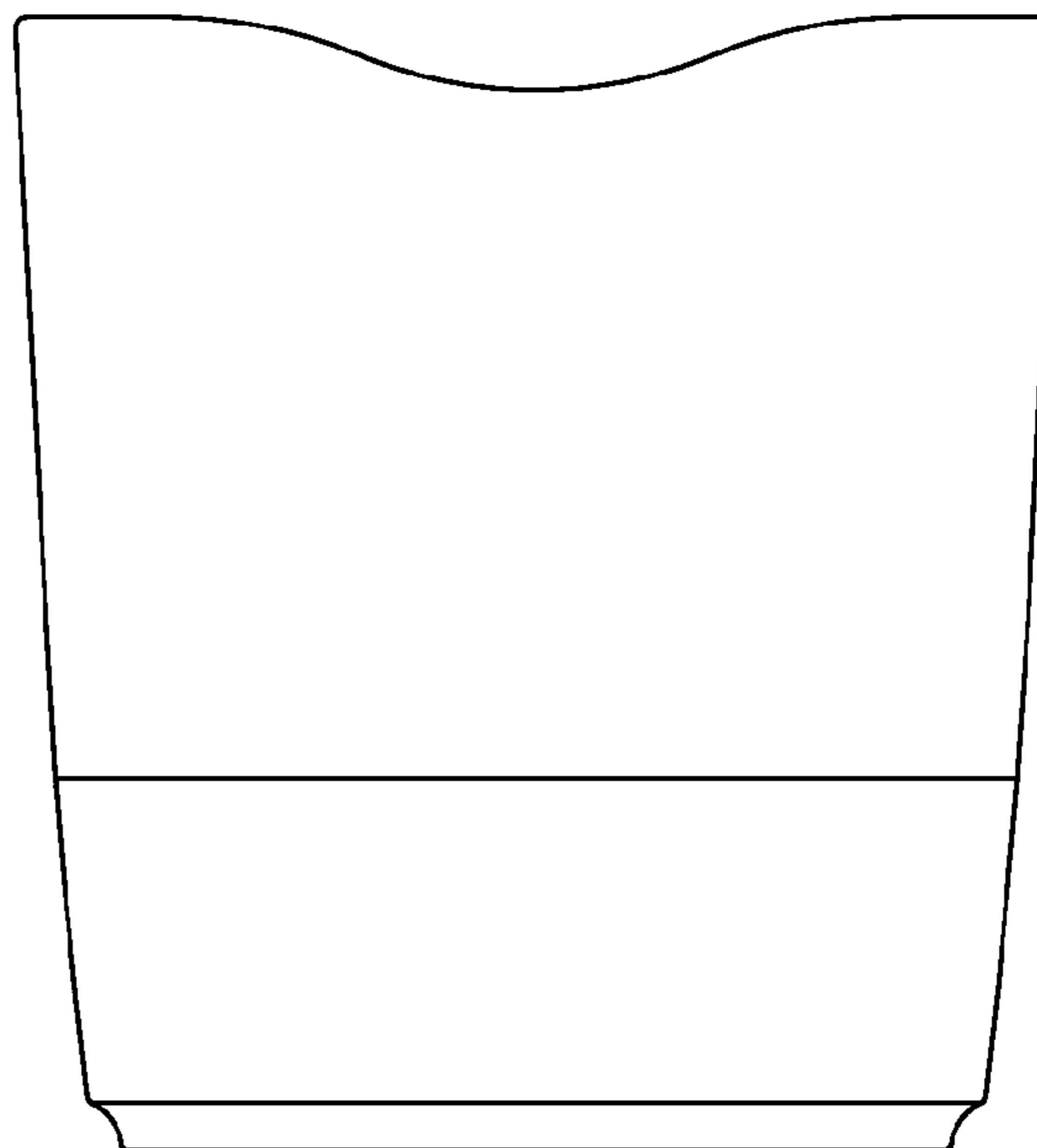


Fig.5.

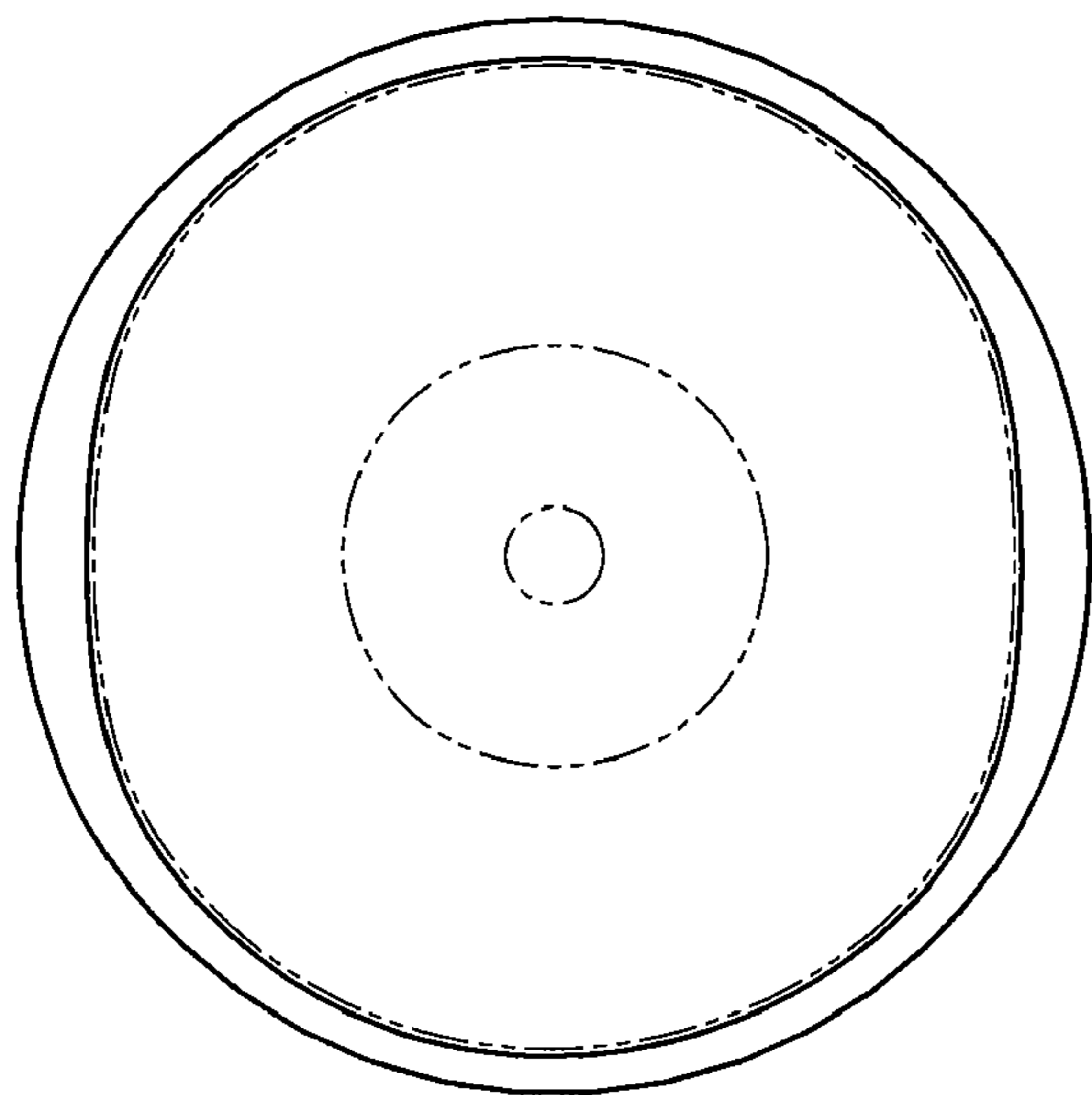


Fig. 6.

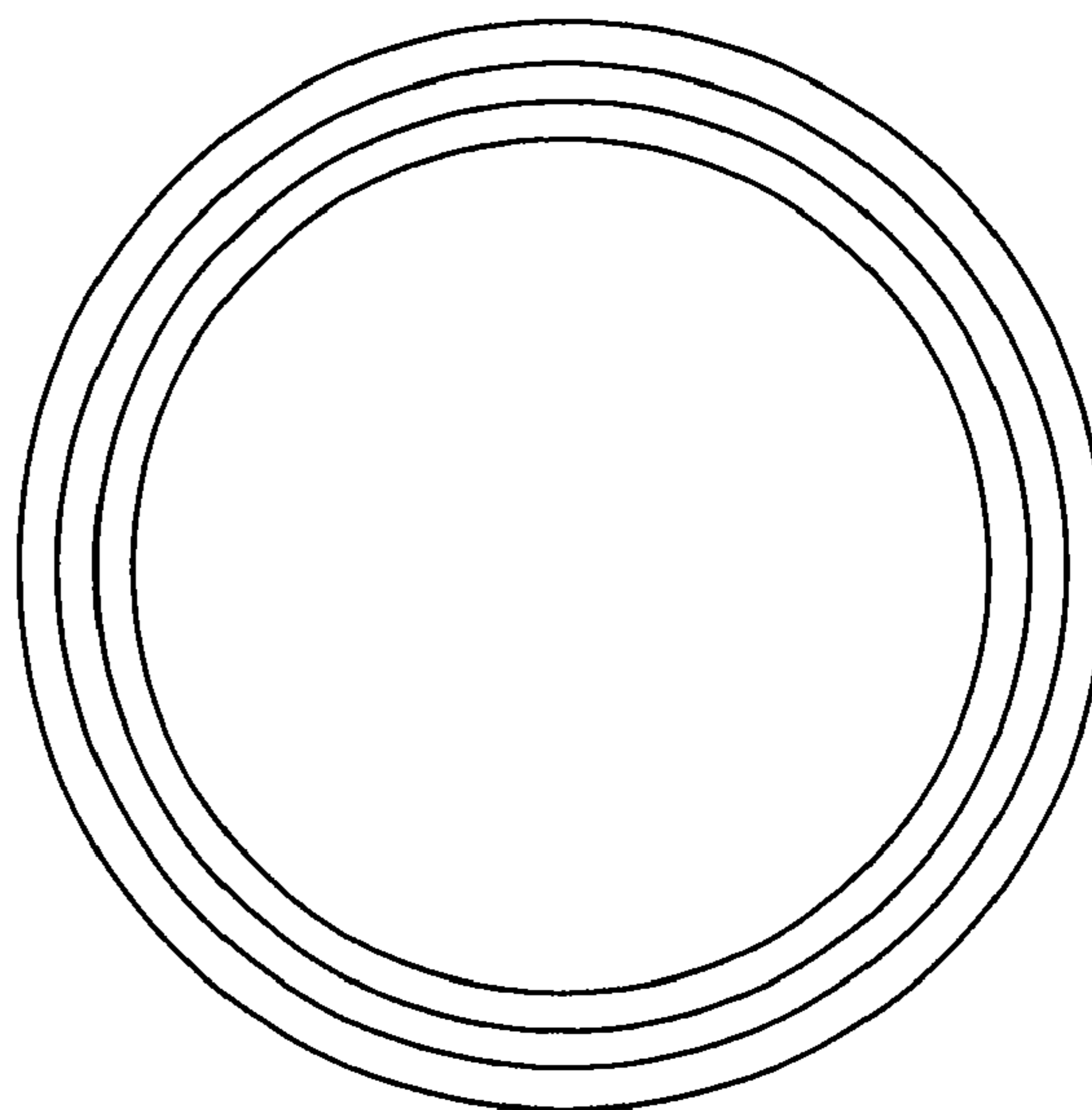


Fig. 7.

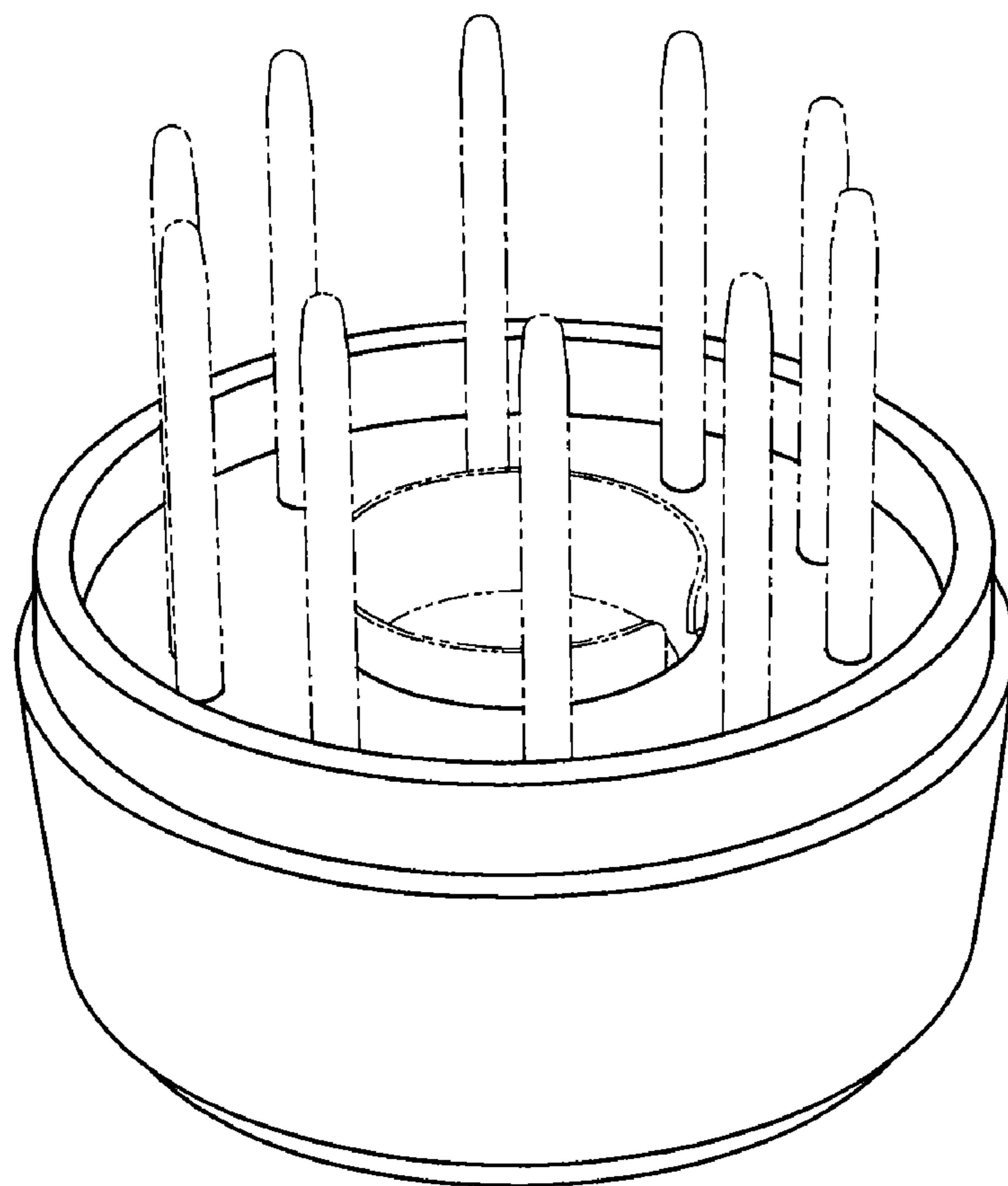


Fig. 8.

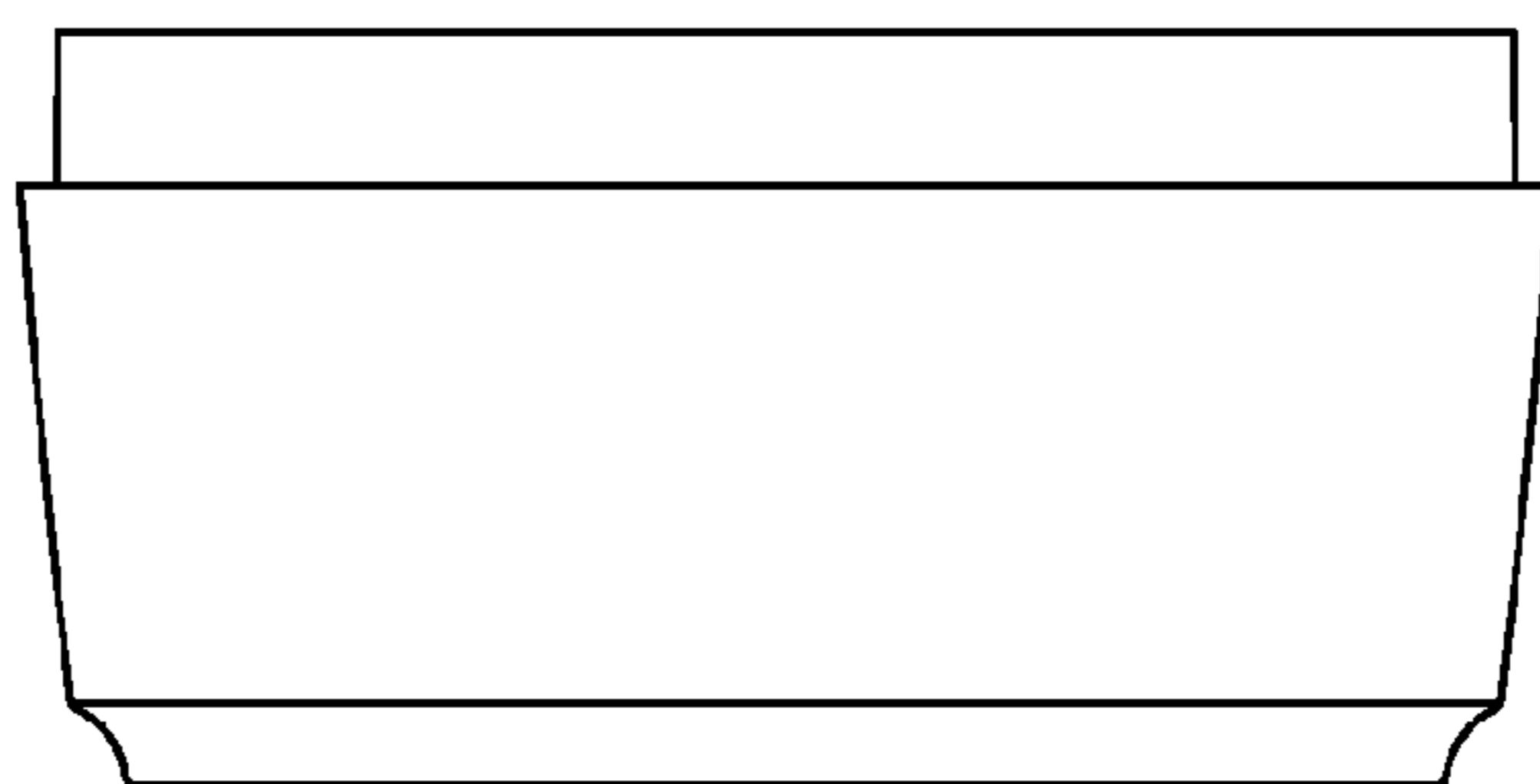


Fig. 9.

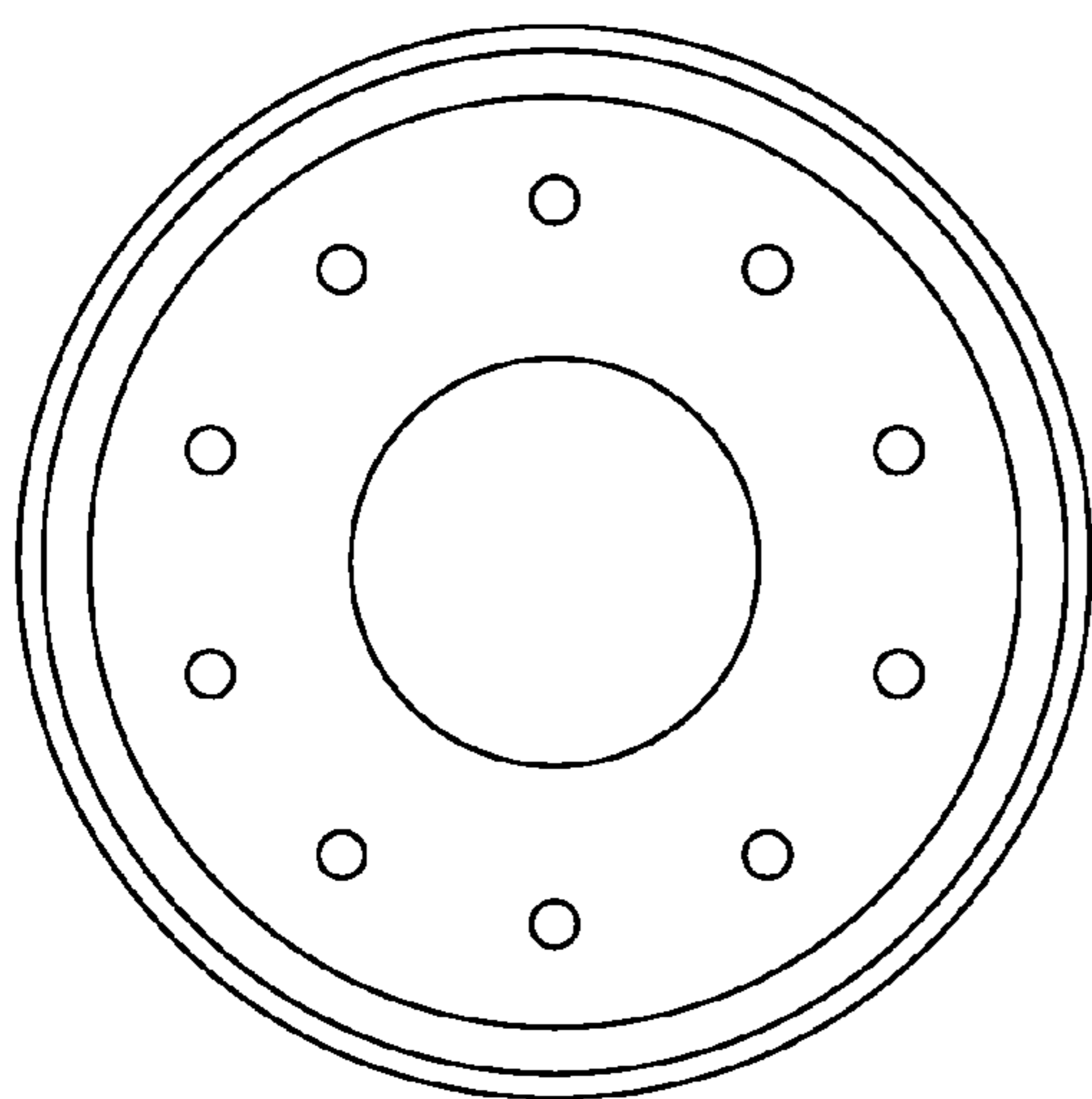


Fig. 10.

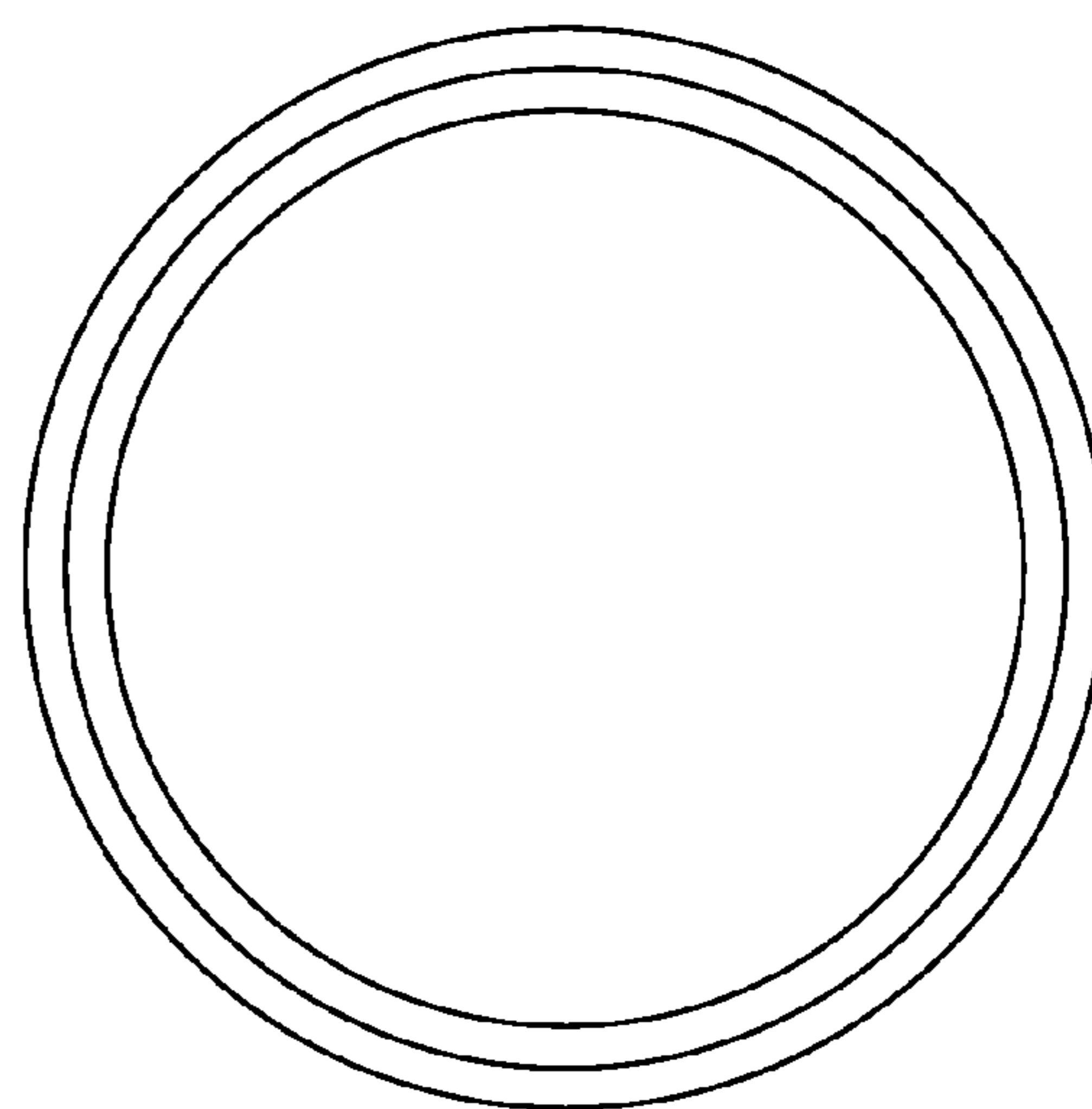


Fig. 11.

UNITED STATES PATENT AND TRADEMARK OFFICE
Certificate

Patent No. D. 624,966 S

Patented: October 5, 2010

On petition requesting issuance of a certificate for correction of inventorship pursuant to 35 U.S.C. 256, it has been found that the above identified patent, through error and without any deceptive intent, improperly sets forth the inventorship.

Accordingly, it is hereby certified that the correct inventorship of this patent is: Thomas Crisp, San Francisco, CA (US); Felix Ballerstedt, Portland, OR (US); and Christian Freissler, Portland, OR (US).

Signed and Sealed this Sixteenth Day of August 2011.

CARON D. VEYNAR
Supervisory Patent Examiner
Art Unit 2913
Technology Center 2900