



US00D624965S

(12) **United States Design Patent**  
**Li**

(10) **Patent No.:** **US D624,965 S**

(45) **Date of Patent:** **\*\* Oct. 5, 2010**

(54) **PEN**

(75) Inventor: **Bin Li, Ningbo (CN)**

(73) Assignee: **Beifa Group Co., Ltd., Ningbo (CN)**

(\*\*) Term: **14 Years**

(21) Appl. No.: **29/338,978**

(22) Filed: **Jun. 22, 2009**

(30) **Foreign Application Priority Data**

Dec. 24, 2008 (CN) ..... 200830269662

(51) **LOC (9) Cl.** ..... **19-06**

(52) **U.S. Cl.** ..... **D19/48**

(58) **Field of Classification Search** ..... D19/35,  
D19/36, 41-51, 53-57; 24/11 R, 11 F, 11 P;  
401/52, 99, 100, 104-109, 192, 195, 196  
See application file for complete search history.

(56) **References Cited**

**U.S. PATENT DOCUMENTS**

- D378,601 S 3/1997 Sakuno
- D457,917 S \* 5/2002 Traut et al. .... D19/51
- D465,238 S 11/2002 Qiu
- D480,423 S 10/2003 Kung
- D494,219 S \* 8/2004 Arita ..... D19/51
- D498,791 S 11/2004 Morrow
- D499,142 S 11/2004 Morrow
- D499,448 S 12/2004 Rommel
- D502,507 S 3/2005 Wang
- D510,104 S 9/2005 Qiu
- D522,579 S \* 6/2006 Sim ..... D19/36
- D534,955 S 1/2007 Huxiong
- D546,881 S 7/2007 Qiu
- D548,281 S 8/2007 Tien
- D559,315 S \* 1/2008 Qiu et al. .... D19/50

- D559,318 S \* 1/2008 Qiu et al. .... D19/51
- D559,909 S \* 1/2008 Qiu et al. .... D19/50
- D561,254 S 2/2008 Lin
- D562,392 S 2/2008 Qiu
- D562,895 S \* 2/2008 Shibata ..... D19/50
- D568,936 S 5/2008 Qiu
- D595,353 S \* 6/2009 Li ..... D19/48
- D602,526 S \* 10/2009 Matsumura ..... D19/47
- D607,933 S \* 1/2010 Zhang ..... D19/48

**FOREIGN PATENT DOCUMENTS**

EM 001065585-0006 A1 2/2009

**OTHER PUBLICATIONS**

Li, B., "Pen," U.S. Appl. No. 29/333,930, filed Mar. 17, 2009.  
Zhang, B., "Pen," U.S. Appl. No. 29/330,733, filed Jan. 13, 2009.

\* cited by examiner

*Primary Examiner*—Elizabeth A Albert  
(74) *Attorney, Agent, or Firm*—Christensen O'Connor  
Johnson Kindness PLLC

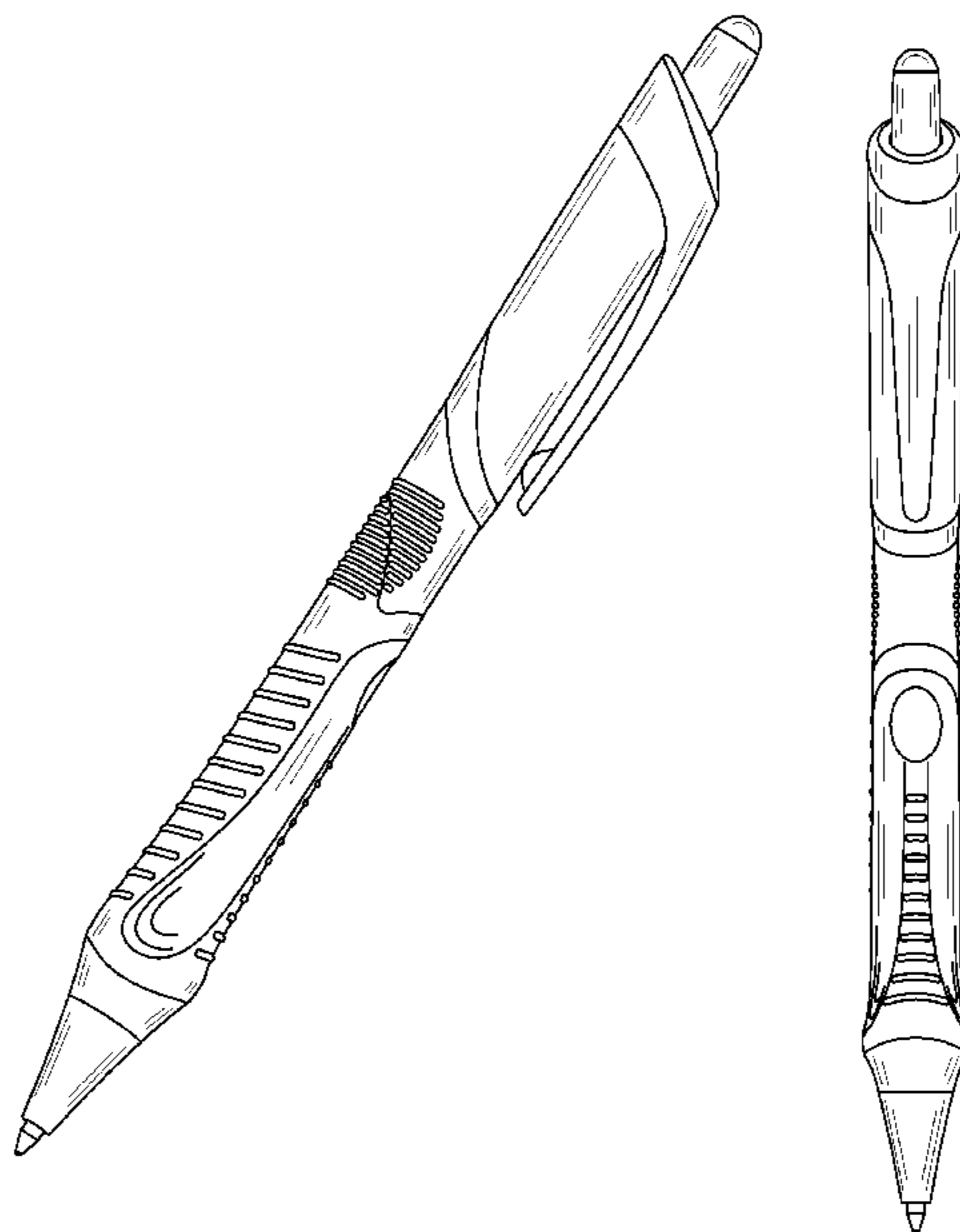
(57) **CLAIM**

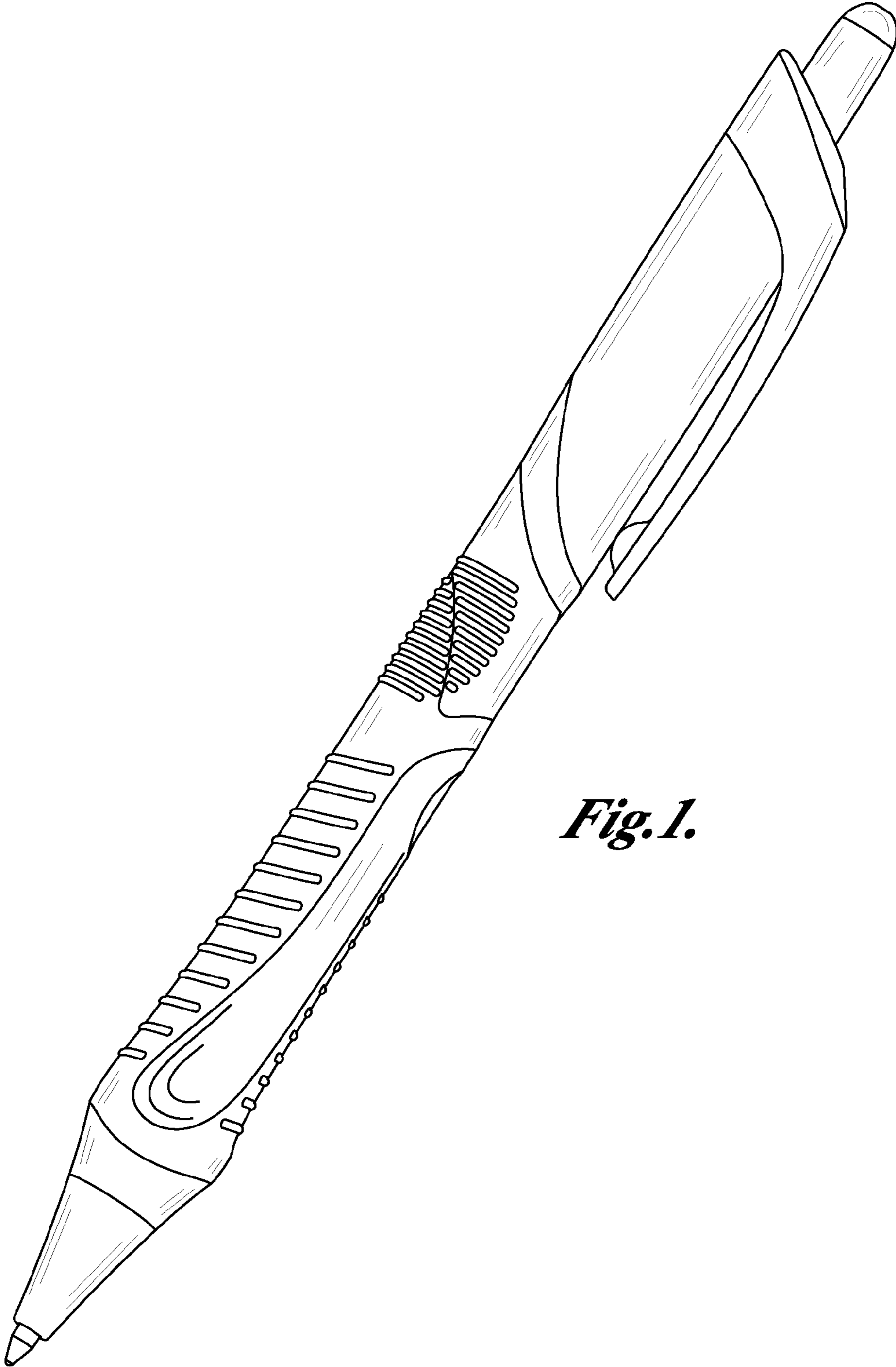
The ornamental design for a pen, as shown and described.

**DESCRIPTION**

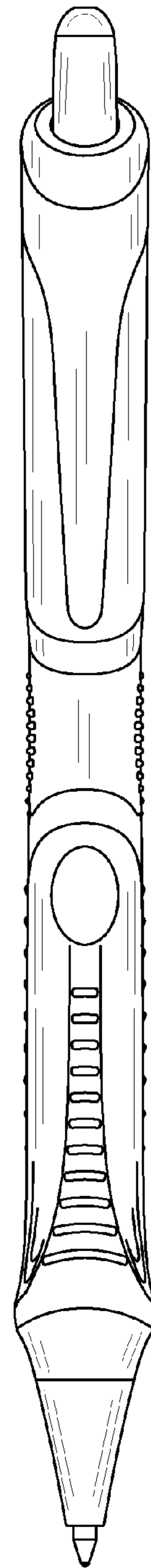
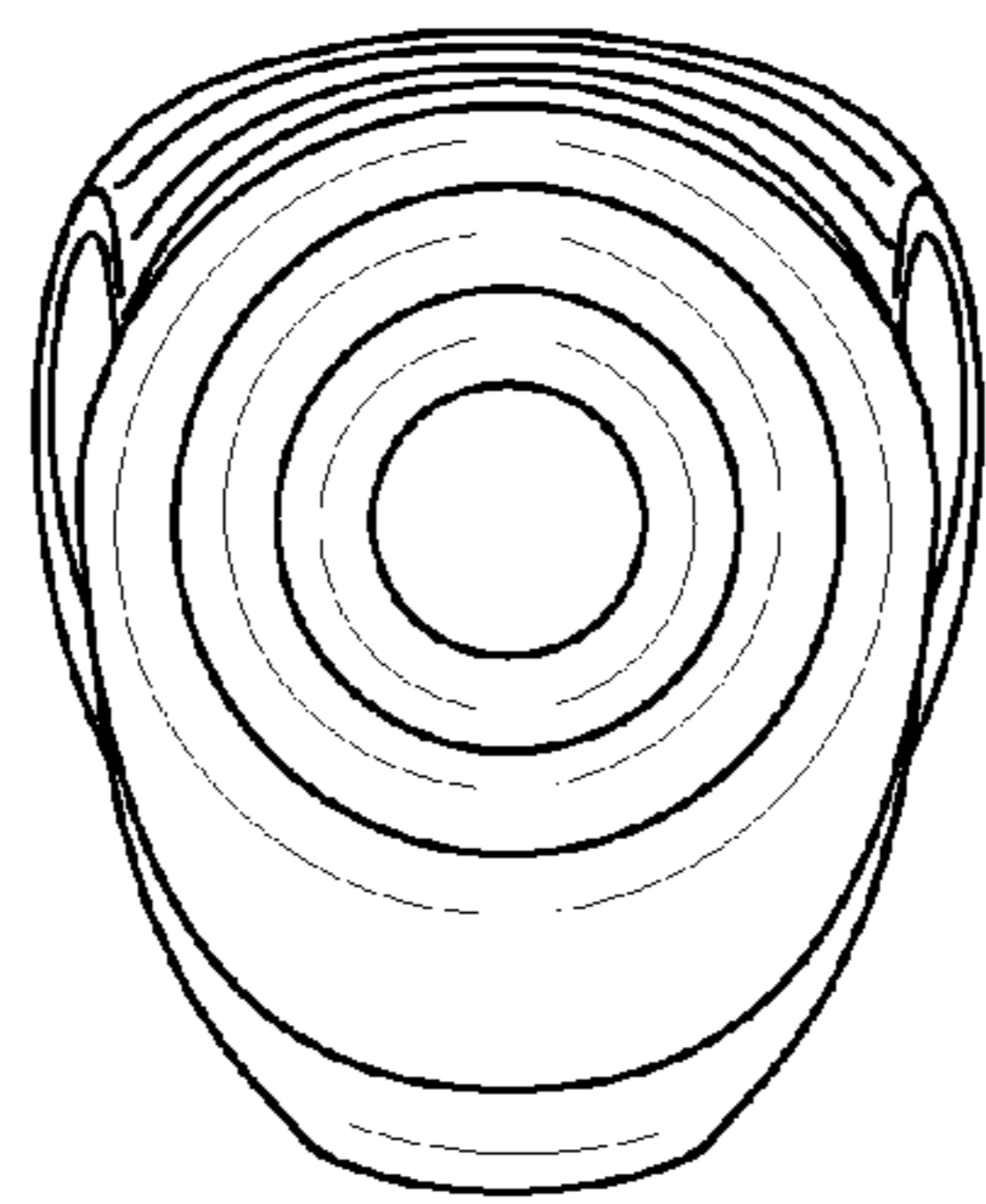
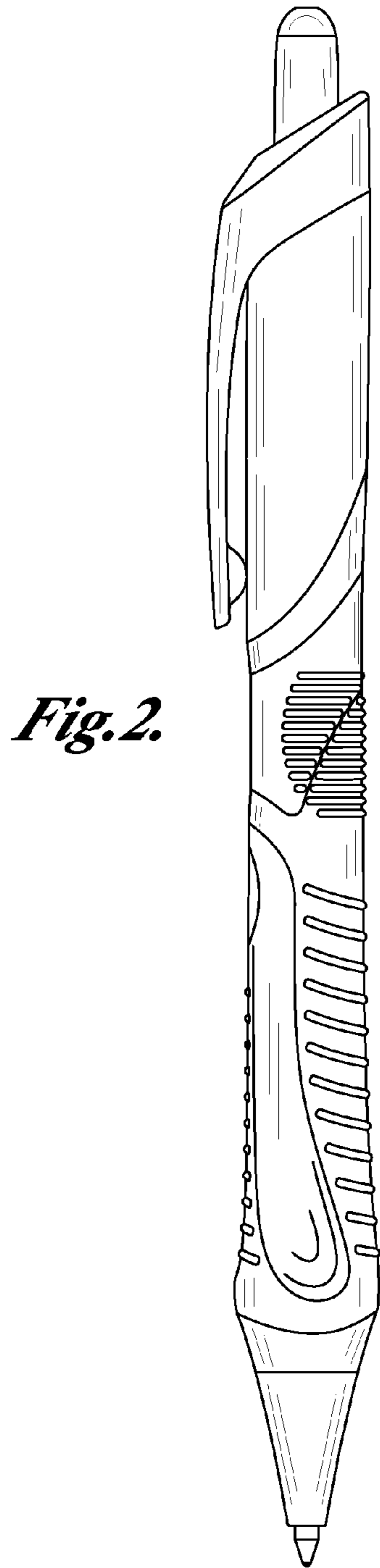
FIG. 1 is an upper left perspective view of a pen showing my new design;  
FIG. 2 is a right side elevation view thereof;  
FIG. 3 is an enlarged top plan view thereof;  
FIG. 4 is a front elevation view thereof;  
FIG. 5 is a left side elevation view thereof;  
FIG. 6 is an enlarged bottom plan view thereof; and,  
FIG. 7 is a rear elevation view thereof.

**1 Claim, 3 Drawing Sheets**

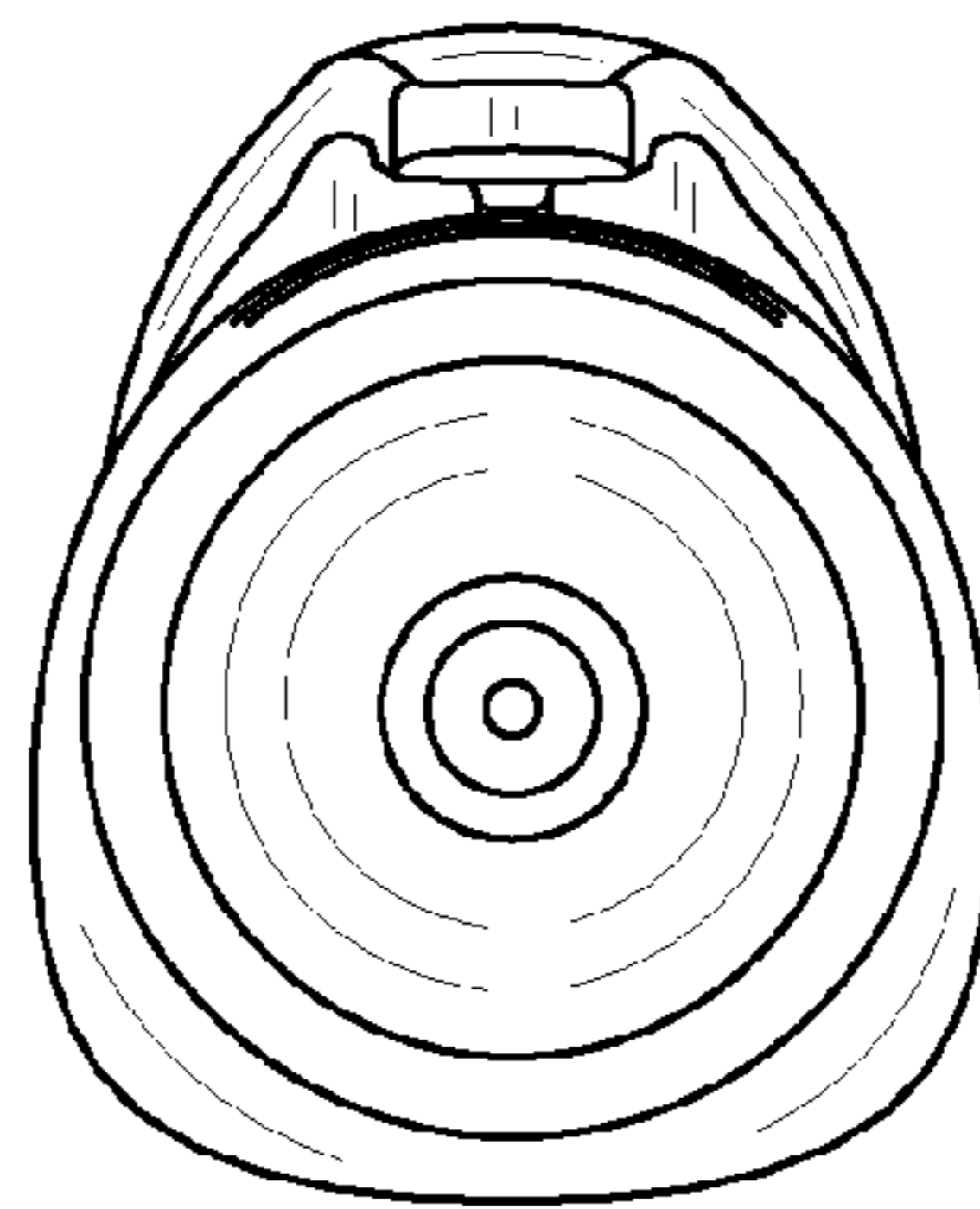
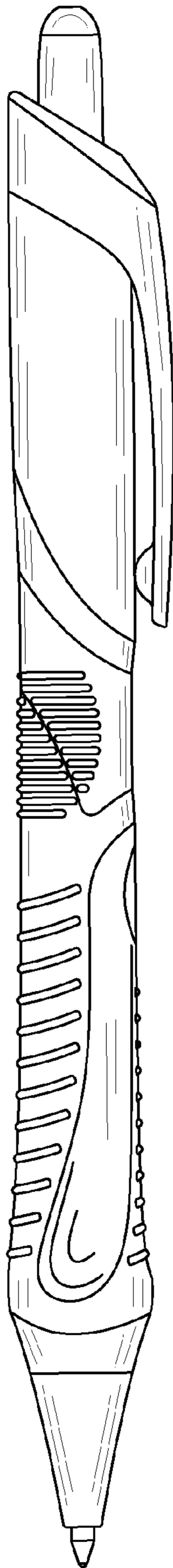




*Fig. 1.*



*Fig. 5.*



*Fig. 6.*

*Fig. 7.*

