



US00D624964S

(12) **United States Design Patent**
Widstrom et al.

(10) **Patent No.:** **US D624,964 S**

(45) **Date of Patent:** **** Oct. 5, 2010**

(54) **PEN**

(76) Inventors: **Gustav Widstrom**, Danderydsgatan 30,
SE-114 26 Stockholm (SE); **Marcus**
Heenen, Bergsundsstrand 15, SE-117 38
Stockholm (SE)

(**) Term: **14 Years**

(21) Appl. No.: **29/311,897**

(22) Filed: **Jul. 28, 2009**

(30) **Foreign Application Priority Data**

Jan. 28, 2009 (EM) 00107762-0001

(51) **LOC (9) Cl.** **19-06**

(52) **U.S. Cl.** **D19/45**

(58) **Field of Classification Search** D19/35,
D19/36, 41-51, 53-57; 24/11 R, 11 F, 11 P;
401/52, 99, 100, 104-109, 192, 195, 196
See application file for complete search history.

(56) **References Cited**

U.S. PATENT DOCUMENTS

2,693,788 A * 11/1954 Spatz 211/69.1
D188,575 S * 8/1960 Zierhut D19/51
3,570,284 A * 3/1971 Hendricks 401/209
D369,830 S * 5/1996 Hadtke D19/46

D416,286 S * 11/1999 Paras et al. D19/49
D416,578 S * 11/1999 Paras et al. D19/51
D417,698 S * 12/1999 Tsuchida D19/45
D423,575 S * 4/2000 Lowe D19/36
D474,808 S * 5/2003 Chen D19/43
D482,394 S * 11/2003 Chiu D19/36
D541,338 S * 4/2007 Wang D19/43
D597,134 S * 7/2009 Lin D19/45

FOREIGN PATENT DOCUMENTS

DE DM/052726 * 7/2000

* cited by examiner

Primary Examiner—Elizabeth A Albert

(74) *Attorney, Agent, or Firm*—Nixon & Vanderhye PC

(57) **CLAIM**

The ornamental design for a pen, as shown and described.

DESCRIPTION

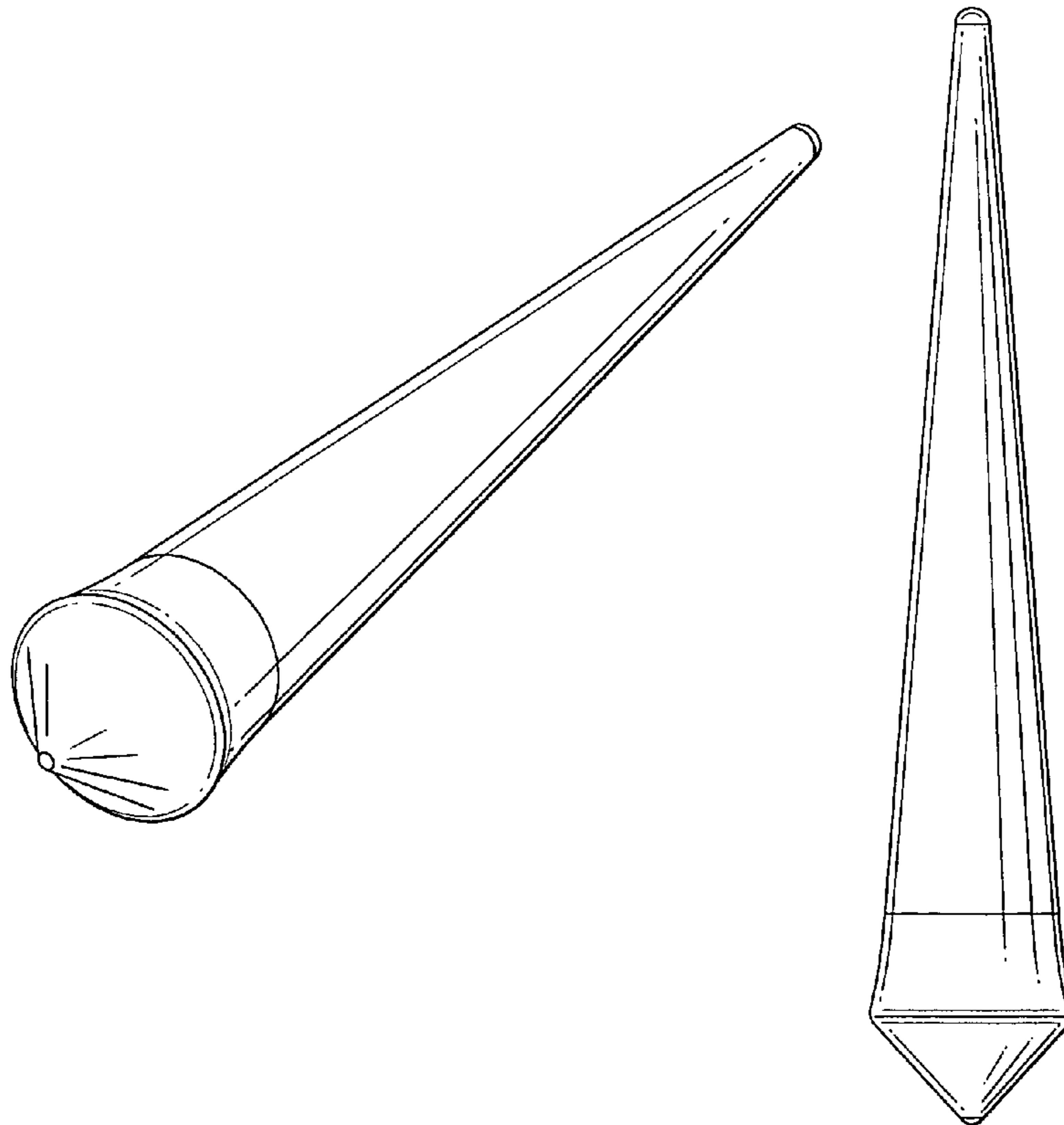
FIG. 1 is a perspective view of the design;

FIG. 2 is an elevational view of the front of the design, the rear and both sides being identical to the front;

FIG. 3 is an enlarged plan view of the bottom of the design; and,

FIG. 4 is an enlarged plan view of the top of the design.

1 Claim, 2 Drawing Sheets



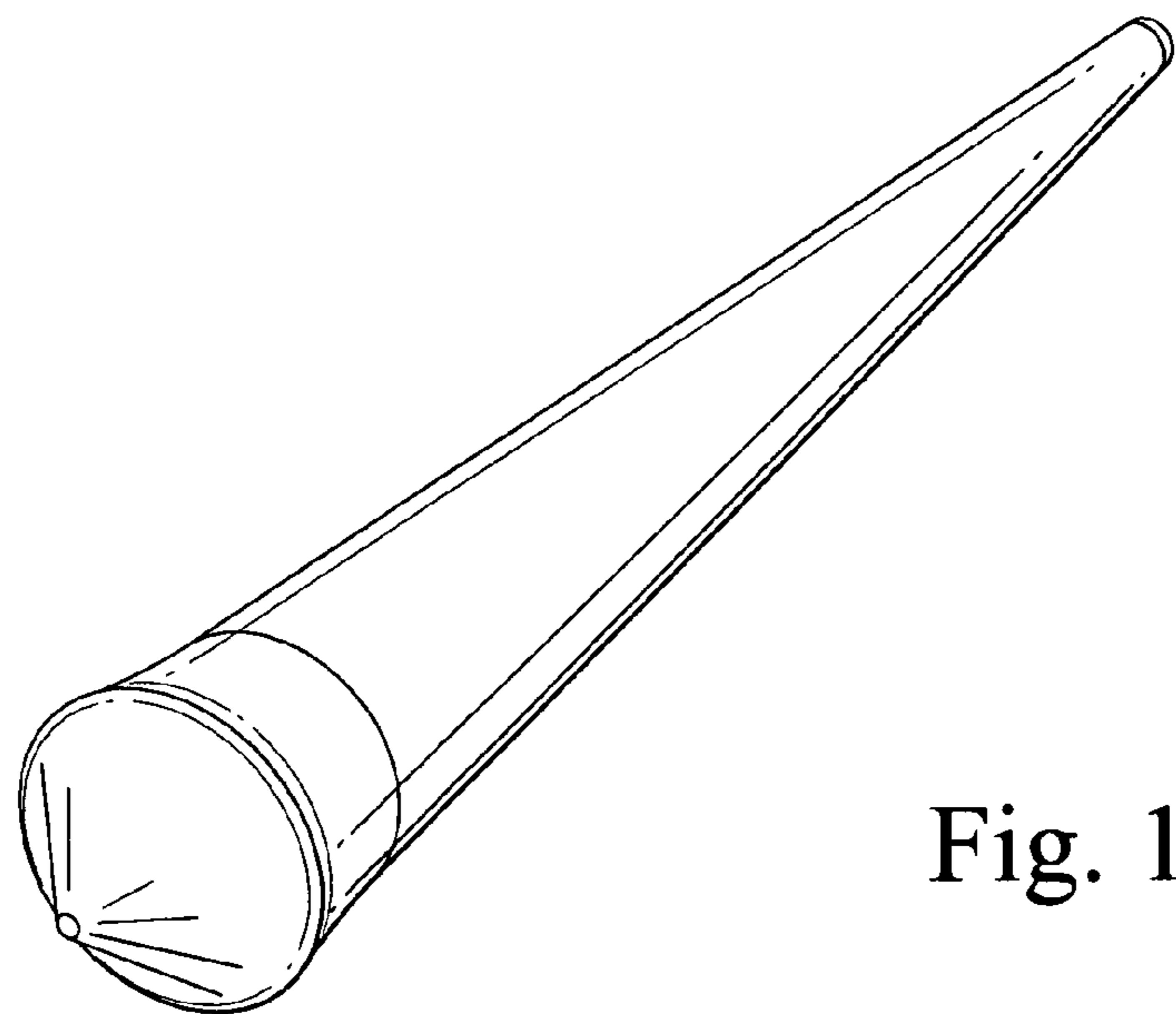


Fig. 1

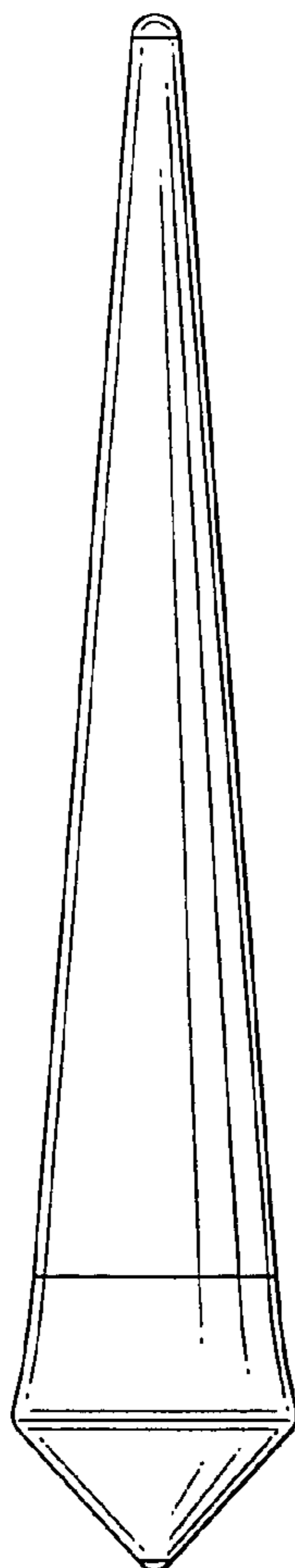


Fig. 2

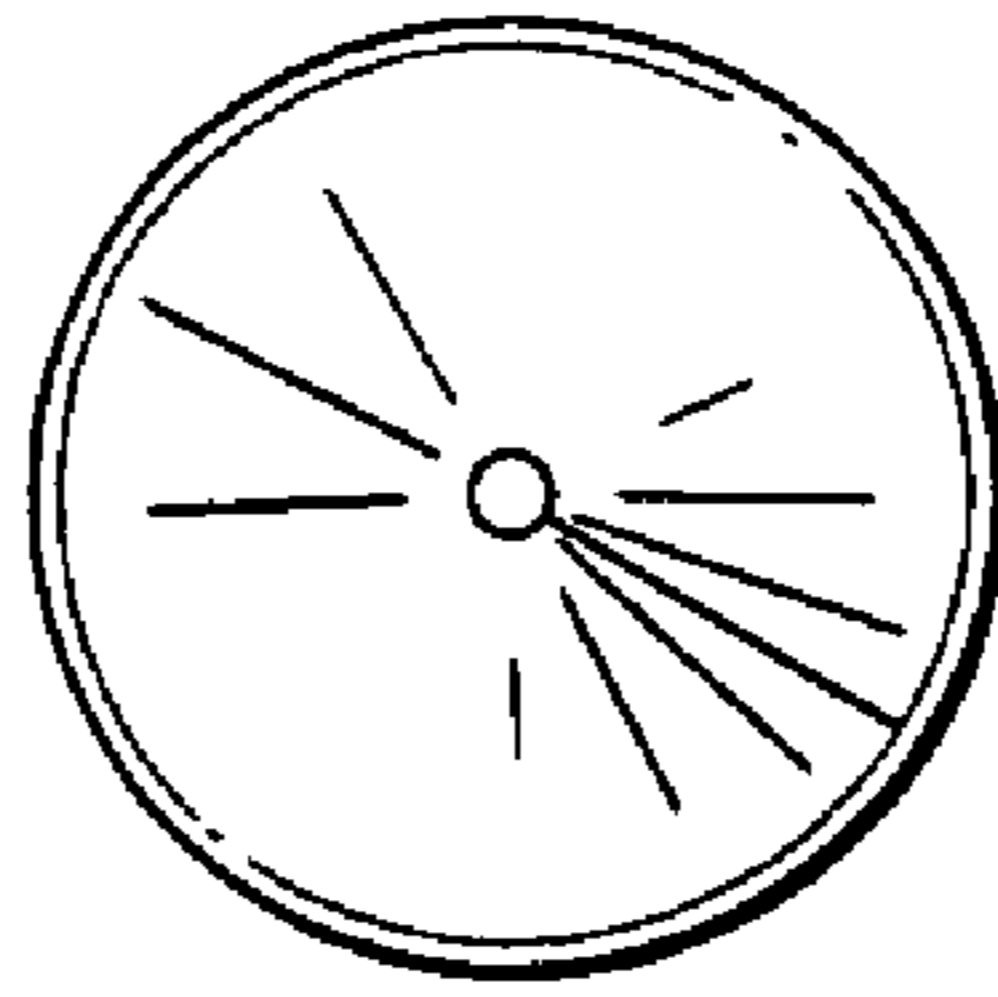


Fig. 3

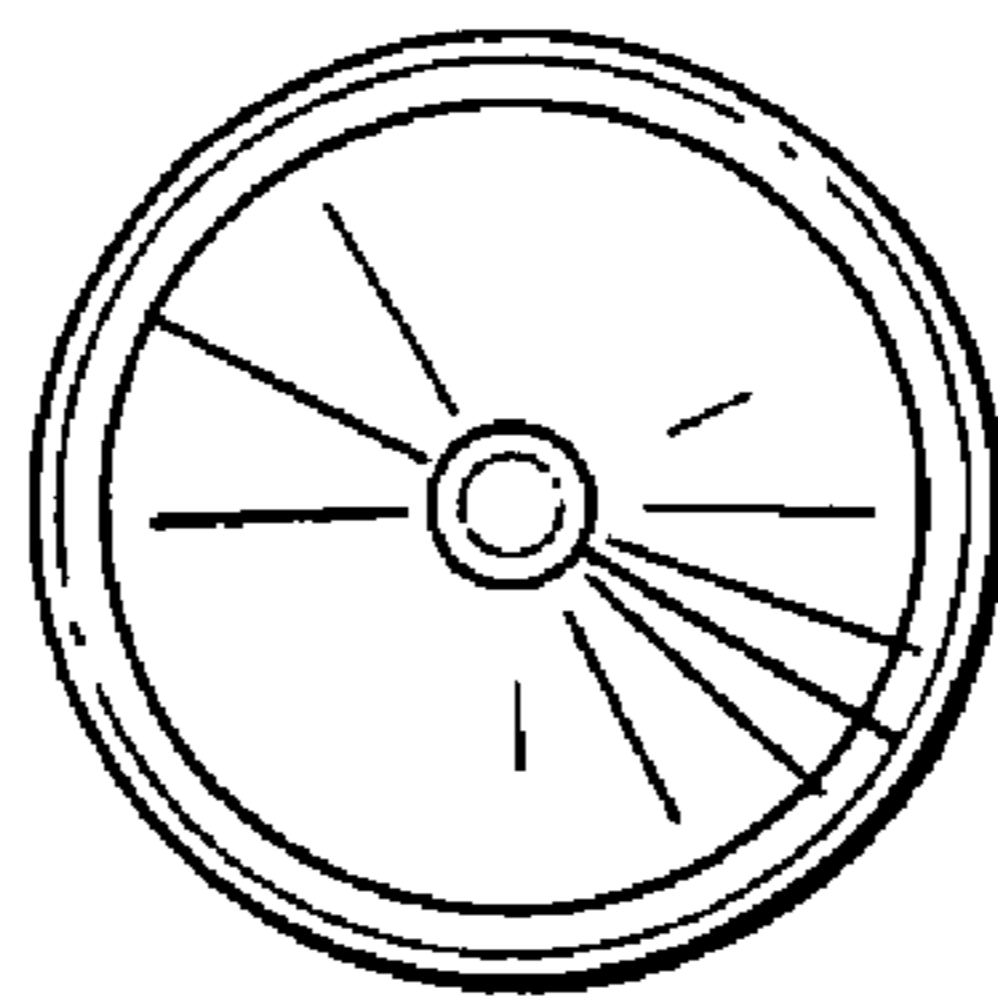


Fig. 4