



US00D624961S

(12) **United States Design Patent**  
**Arroyo**

(10) **Patent No.:** **US D624,961 S**

(45) **Date of Patent:** **\*\* Oct. 5, 2010**

(54) **MARKING MACHINE**

(75) **Inventor:** **Pierre Yues Arroyo, La Chapelle Saint Luc (FR)**

(73) **Assignee:** **GravoTech Marking, La Chapelle Saint Luc (FR)**

(\*\*) **Term:** **14 Years**

(21) **Appl. No.:** **29/350,964**

(22) **Filed:** **Nov. 25, 2009**

(30) **Foreign Application Priority Data**

May 27, 2009 (EM) ..... 001140453

(51) **LOC (9) Cl.** ..... **18-02**

(52) **U.S. Cl.** ..... **D18/57; D10/63**

(58) **Field of Classification Search** ..... D10/63;  
D15/125; D18/57; 33/1 AA, 430-448; 269/254 R,  
269/303, 309; 29/DIG. 59; 364/564; 367/96,  
367/99; 409/132, 134, 159, 167, 174, 225;  
700/164; 702/136

See application file for complete search history.

(56) **References Cited**

U.S. PATENT DOCUMENTS

D280,642 S \* 9/1985 Neiman ..... D18/57  
2010/0087947 A1\* 4/2010 Chuang ..... 700/164

\* cited by examiner

*Primary Examiner*—Antoine D Davis

(74) *Attorney, Agent, or Firm*—Stites & Harbison PLLC;  
Douglas E. Jackson

(57) **CLAIM**

The ornamental design for a marking machine, as shown and described.

**DESCRIPTION**

FIG. 1 is front view showing the new design.

FIG. 2 is a top view thereof.

FIG. 3 is a right side view thereof.

FIG. 4 is a left side view thereof.

FIG. 5 is a bottom view thereof.

FIG. 6 is rear view thereof; and,

FIG. 7 is a perspective front, top and right side view thereof.

**1 Claim, 7 Drawing Sheets**

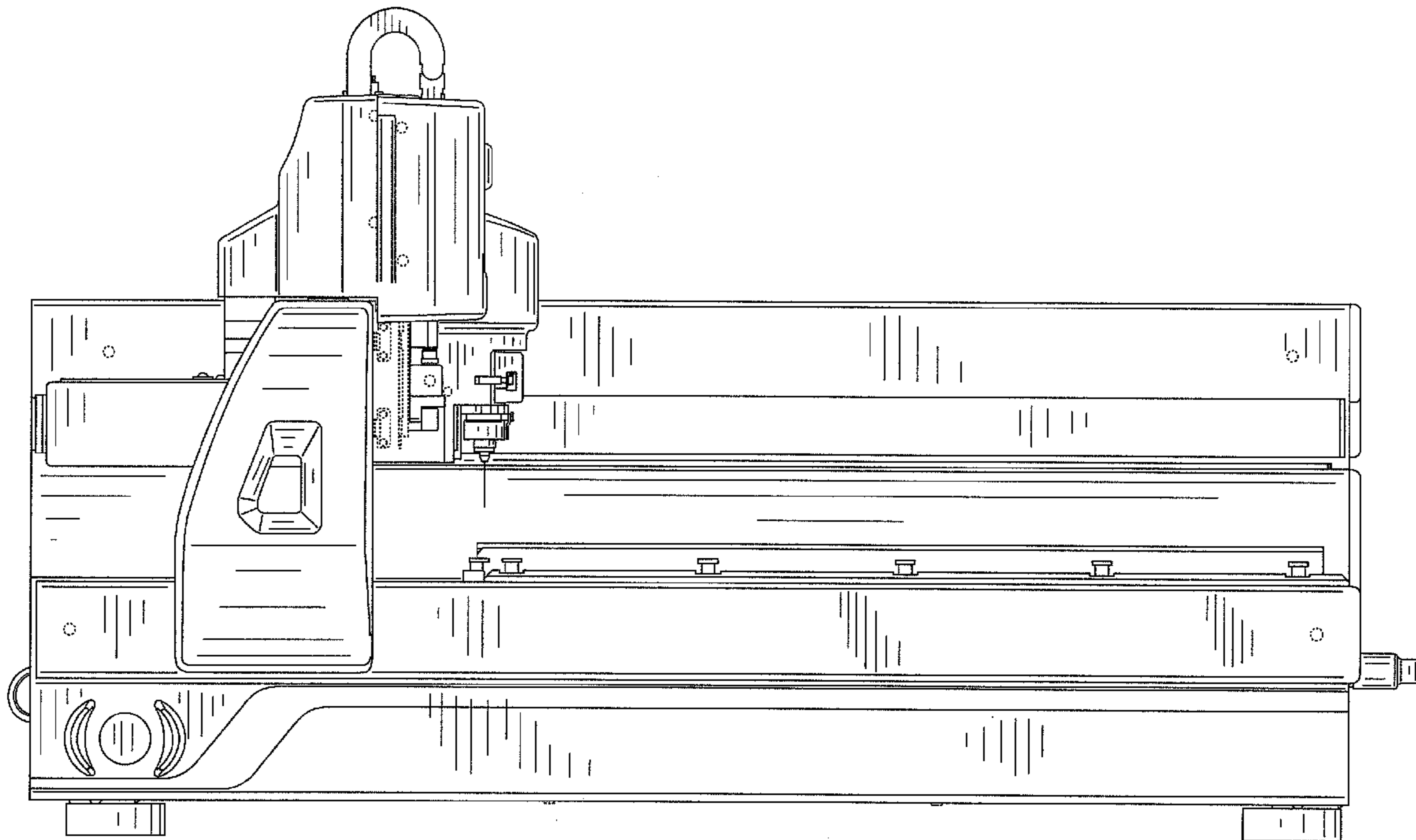
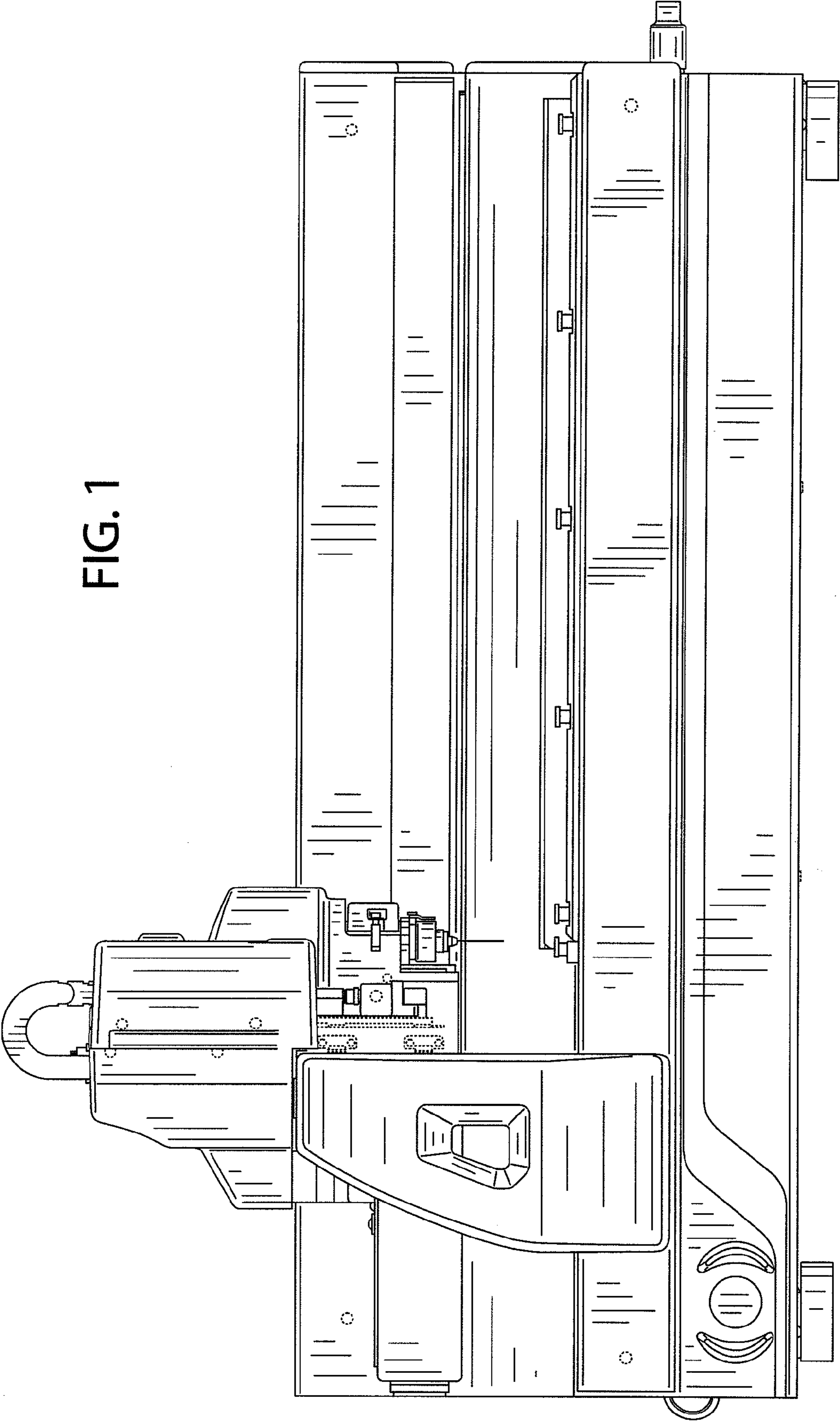


FIG. 1



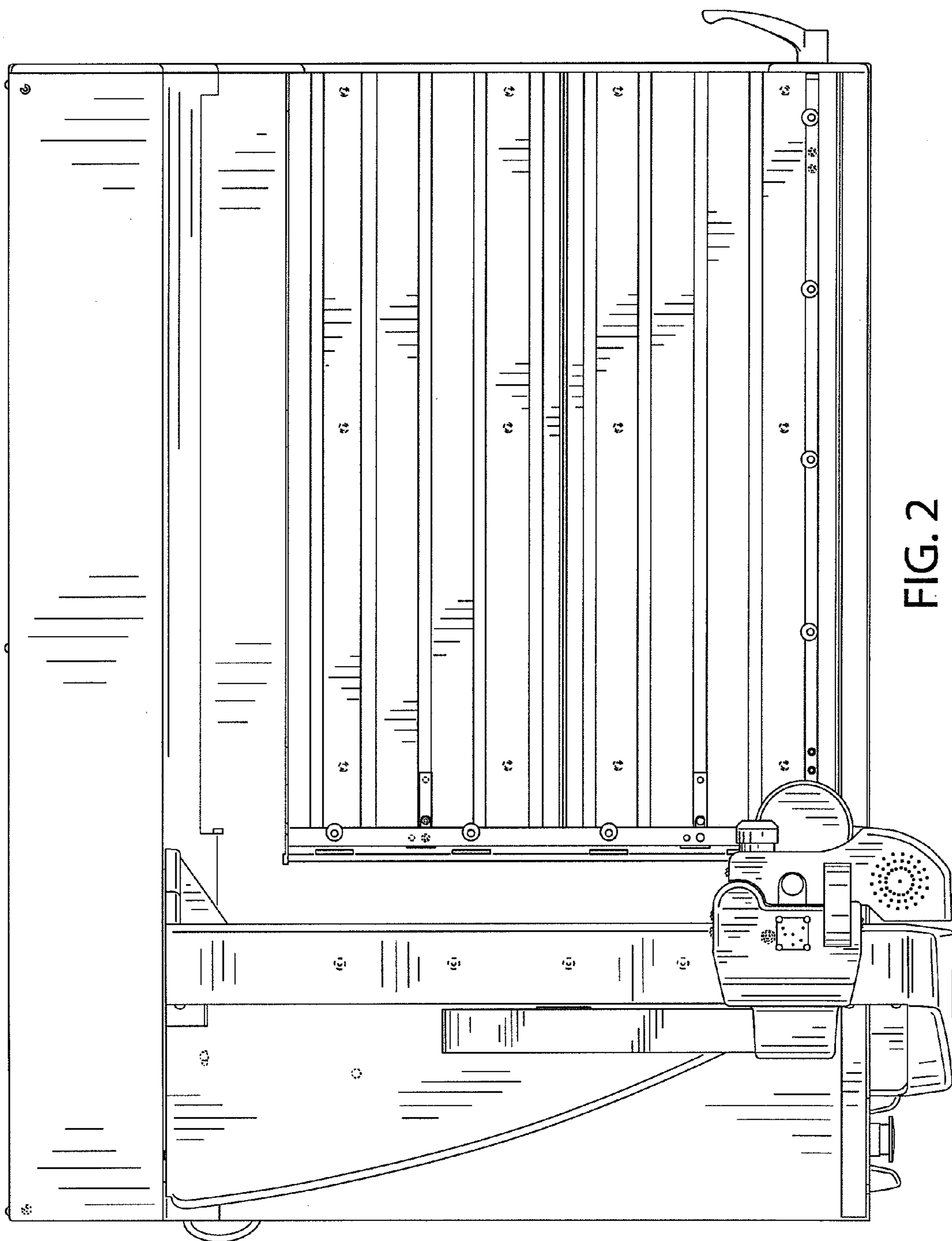
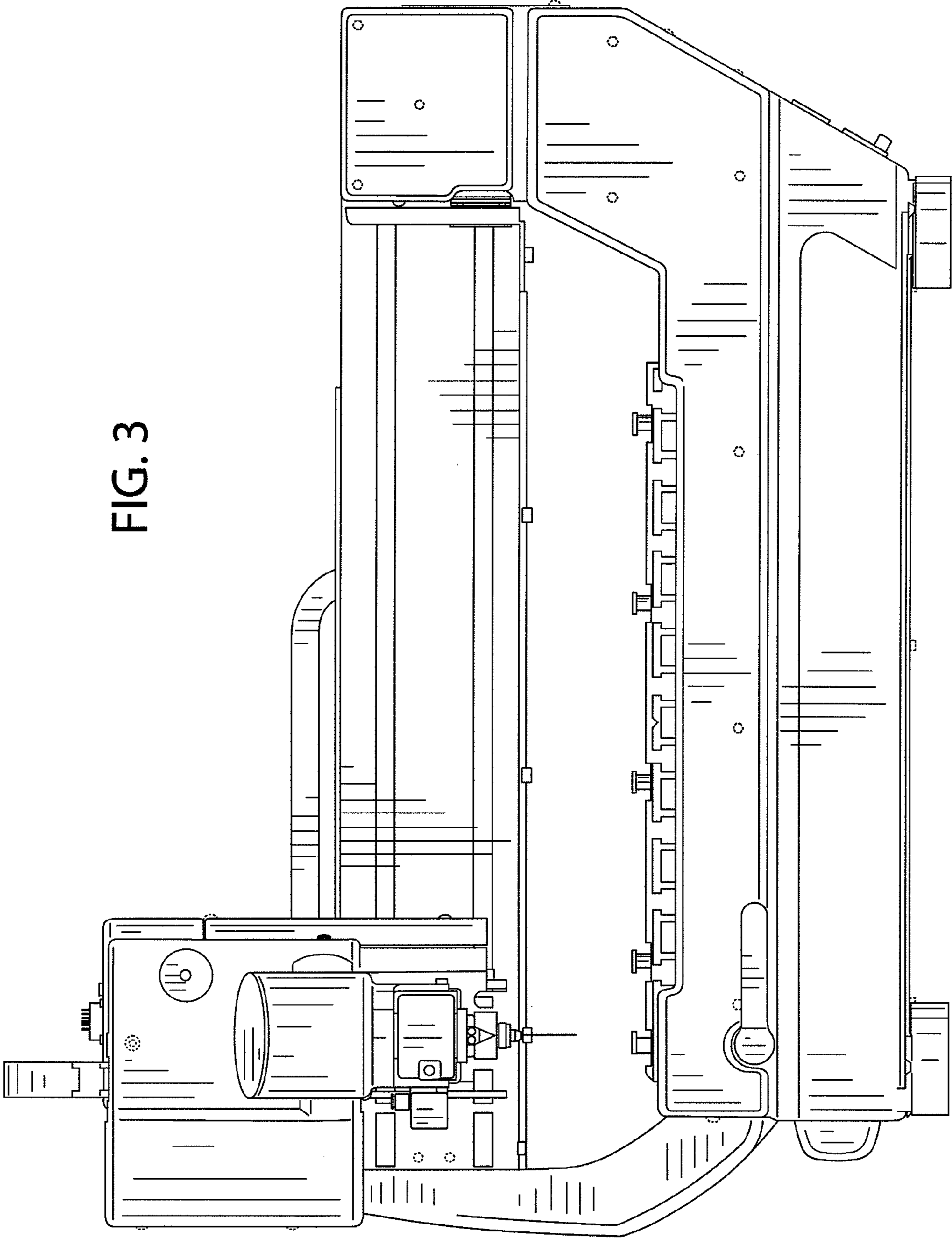


FIG. 2

FIG. 3



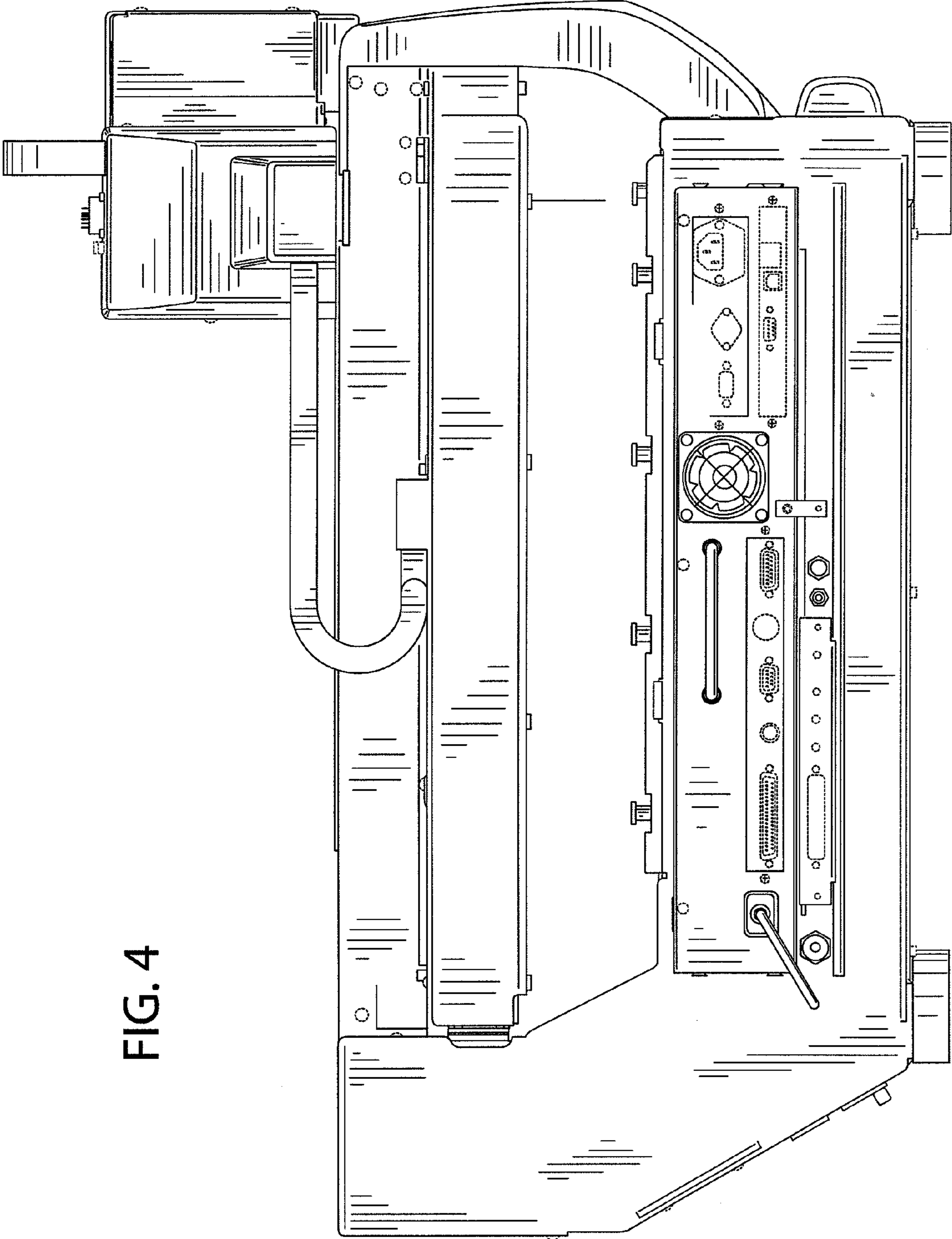
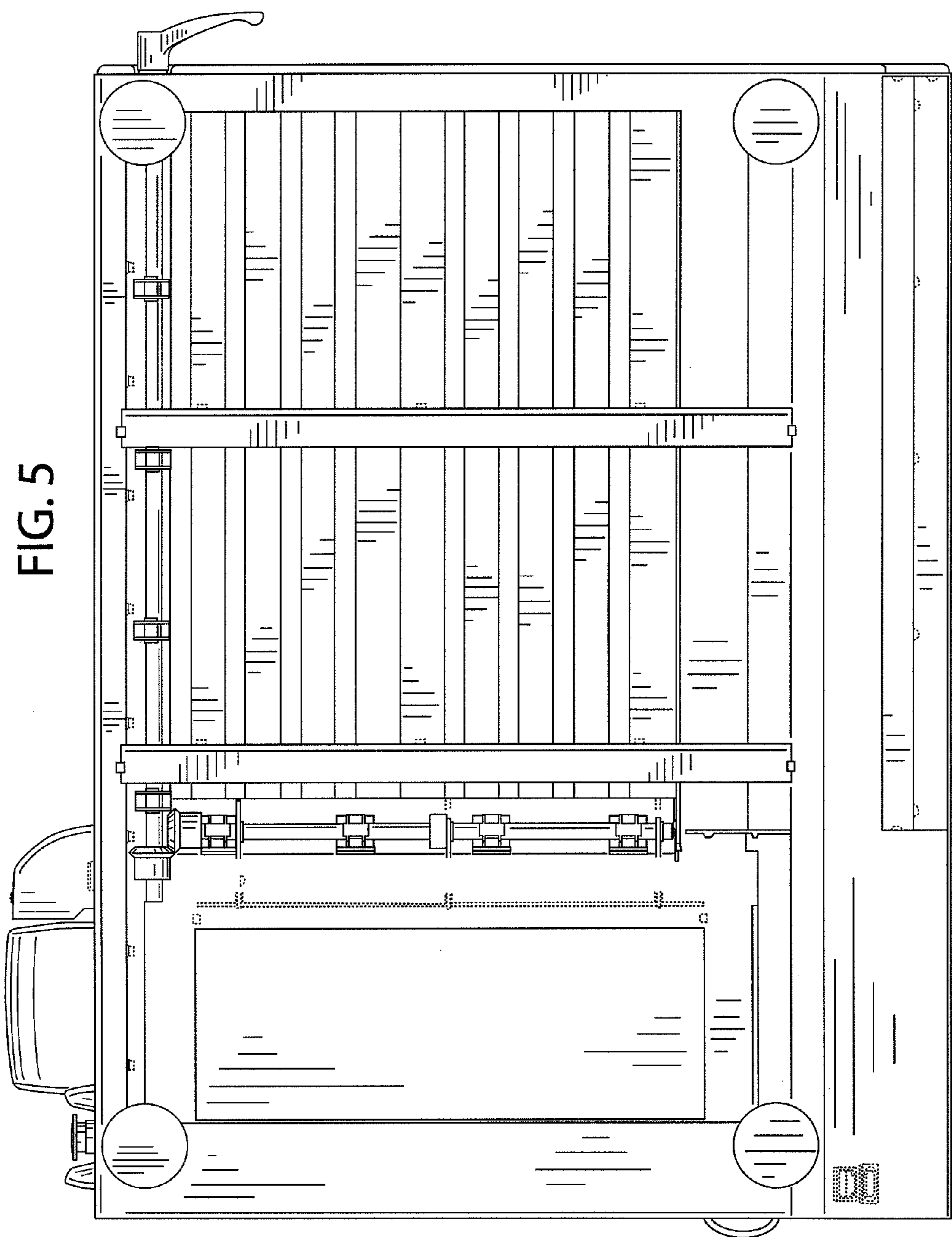


FIG. 4



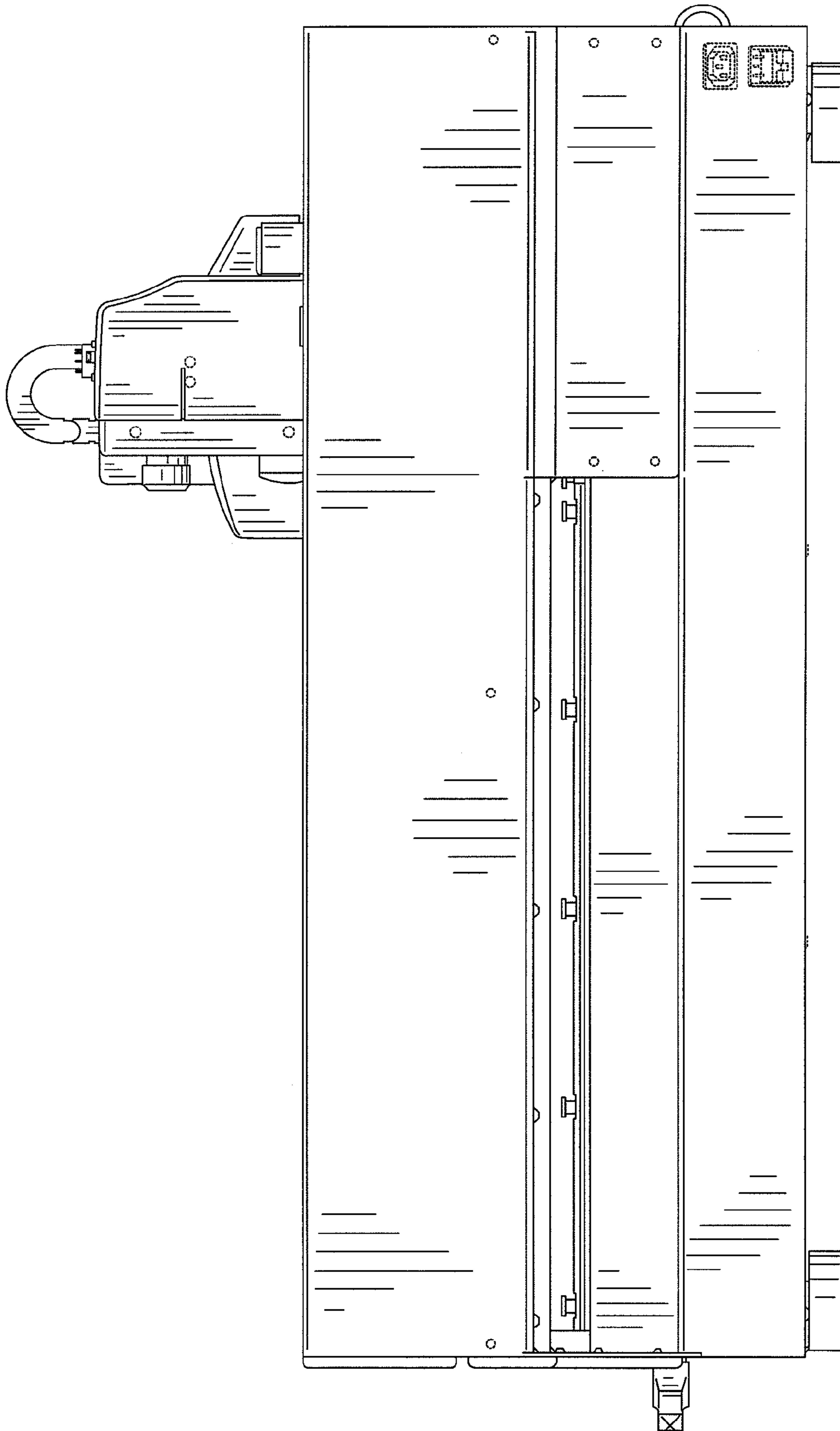


FIG. 6

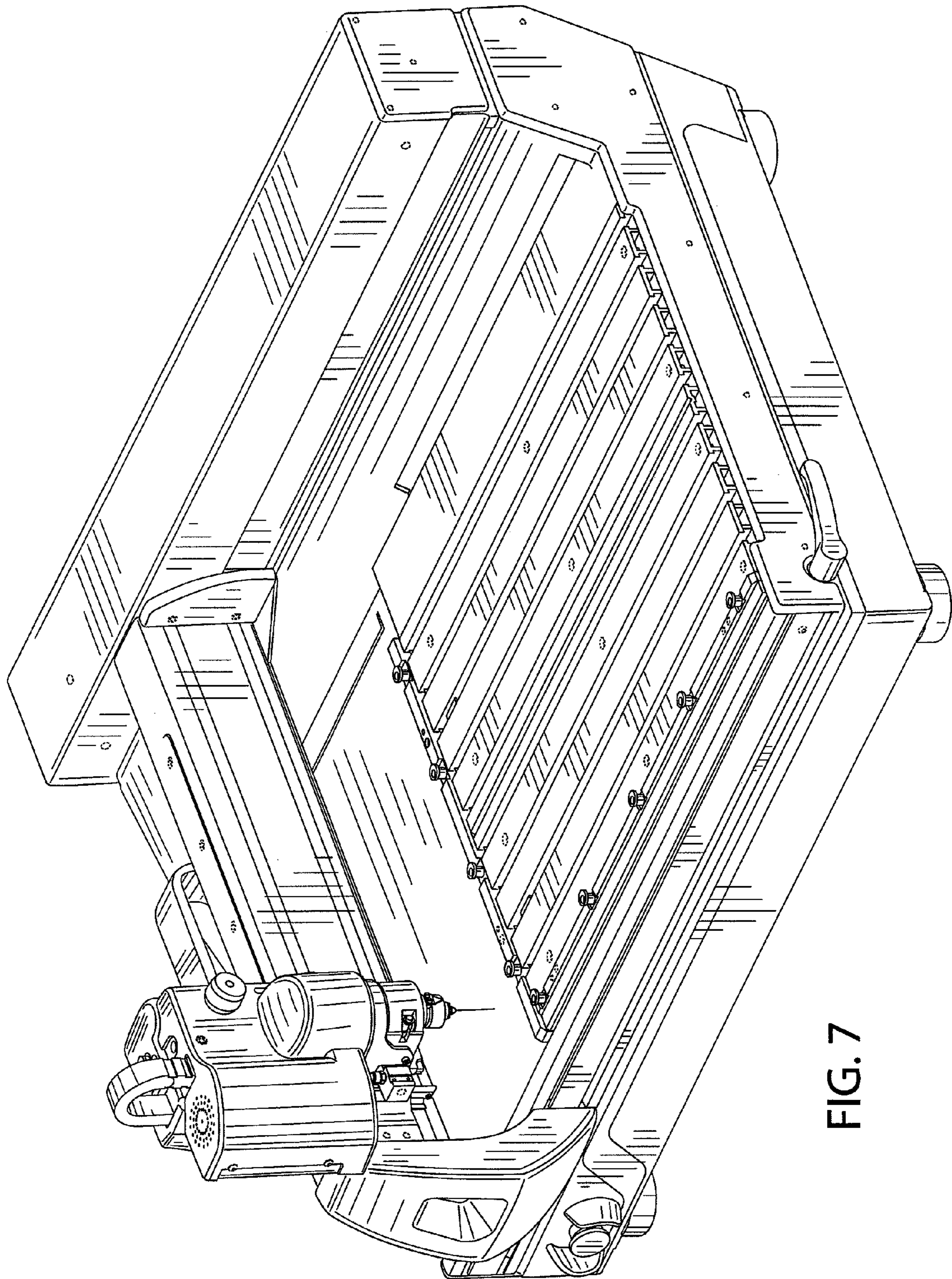


FIG. 7