



US00D624959S

(12) **United States Design Patent**  
**Stenzel**

(10) **Patent No.:** **US D624,959 S**

(45) **Date of Patent:** **\*\* Oct. 5, 2010**

(54) **OPERATING CONSOLE FOR A PRINTING MACHINE**

(75) Inventor: **Oliver Stenzel**, Neckargemünd (DE)

(73) Assignee: **Heidelberger Druckmaschinen AG**, Heidelberg (DE)

(\*\*) Term: **14 Years**

(21) Appl. No.: **29/356,649**

(22) Filed: **Mar. 1, 2010**

**Related U.S. Application Data**

(63) Continuation-in-part of application No. 29/306,948, filed on Apr. 18, 2008.

(30) **Foreign Application Priority Data**

Oct. 19, 2007 (EP) ..... 000812292

(51) **LOC (9) Cl.** ..... **18-02**

(52) **U.S. Cl.** ..... **D18/53**

(58) **Field of Classification Search** ..... D18/53,  
D18/50, 55-59, 34.1, 34.2, 35.1, 36-43;  
D14/302, 305; 399/1-7, 16, 75, 81, 107,  
399/130, 151, 365, 381-383, 388; 347/29-33,  
347/85-87, 92-94

See application file for complete search history.

(56) **References Cited**

**U.S. PATENT DOCUMENTS**

D313,051 S \* 12/1990 Haker ..... D21/371

D330,909 S *	11/1992	Nishida	.....	D18/3.3
D418,527 S *	1/2000	Billman	.....	D15/199
D438,240 S *	2/2001	Kimura	.....	D18/53
D460,981 S *	7/2002	Tachibana et al.	.....	D18/53
D522,568 S *	6/2006	Schneider	.....	D18/50
D537,868 S *	3/2007	Senda et al.	.....	D18/50
D605,221 S *	12/2009	Stenzel	.....	D18/53
D605,690 S *	12/2009	Stenzel	.....	D18/53

\* cited by examiner

*Primary Examiner*—Susan E Krakower

(74) *Attorney, Agent, or Firm*—Laurence A Greenberg;  
Werner H Stemer; Ralph E Locher

(57) **CLAIM**

The ornamental design for an operating console for a printing machine, as shown and described.

**DESCRIPTION**

FIG. 1 is a front and right side perspective view of an operating console for a printing machine showing my new design, the bottom and back being plain and unadorned with no claim being made therefor;

FIG. 2 is a top, front and right side perspective view thereof;

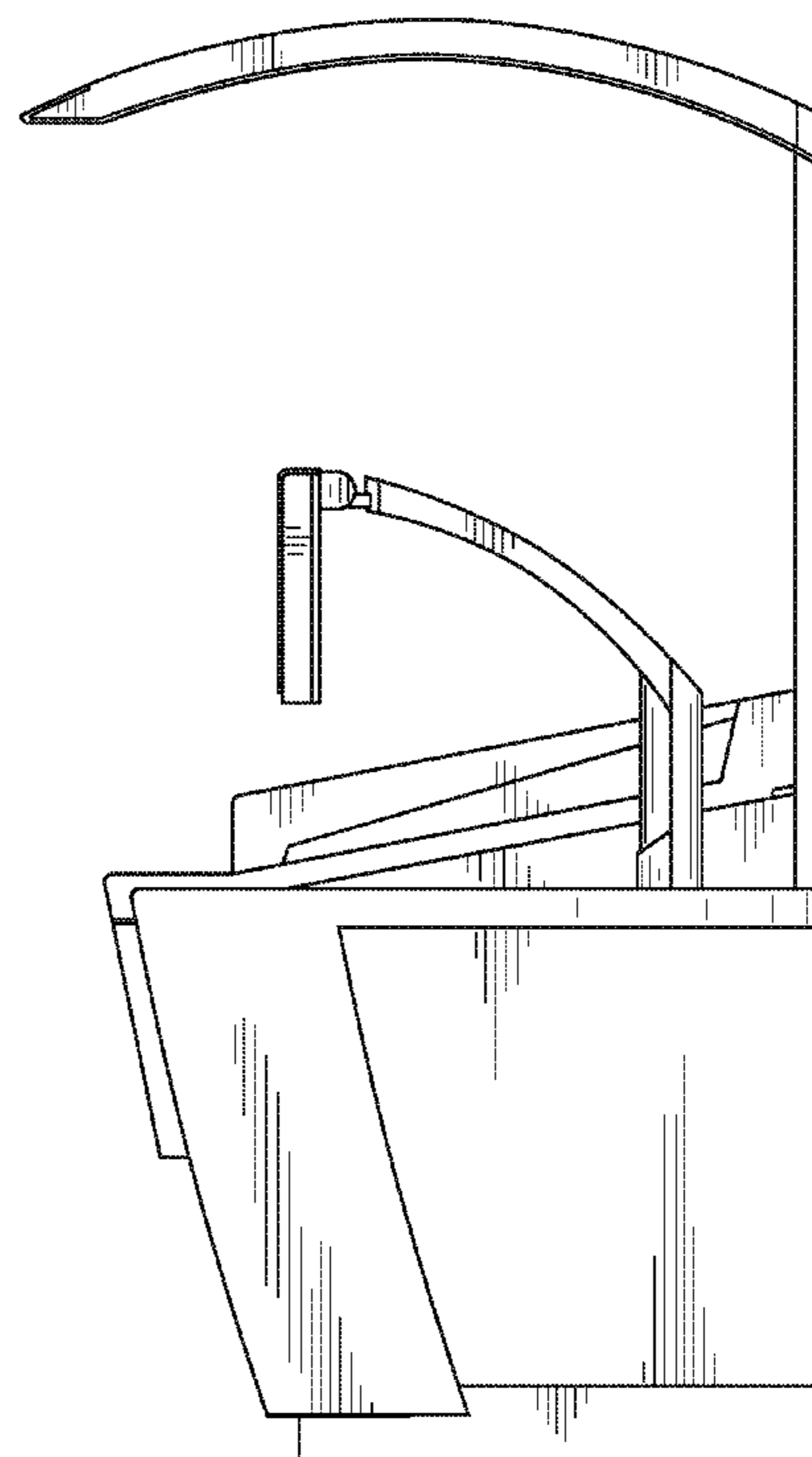
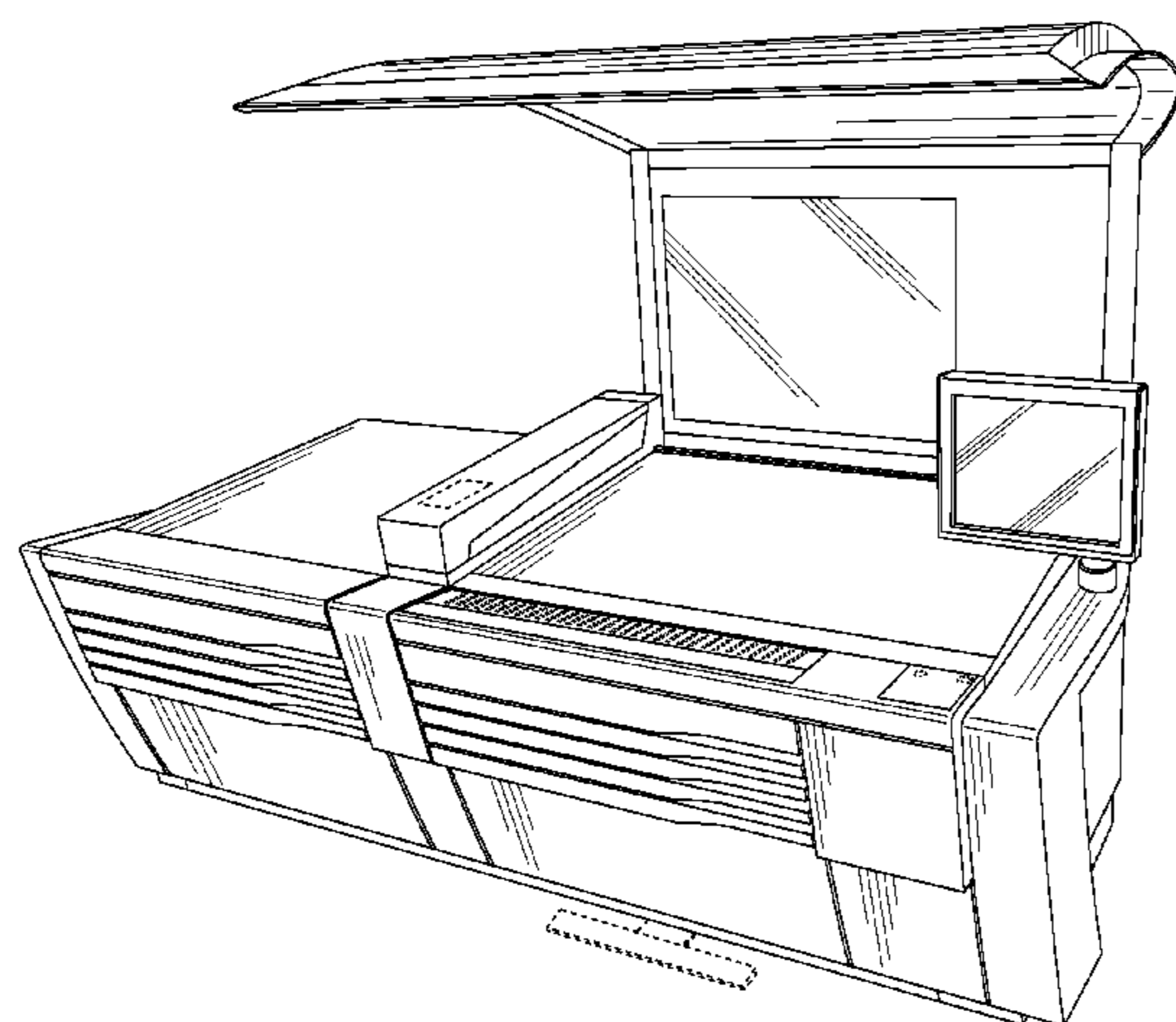
FIG. 3 is a right side elevational view thereof;

FIG. 4 is a left side elevational view thereof; and,

FIG. 5 is a front elevational view thereof.

The broken lines illustrate portions of the operating console for a printing machine which forms no part of the claimed design.

**1 Claim, 5 Drawing Sheets**



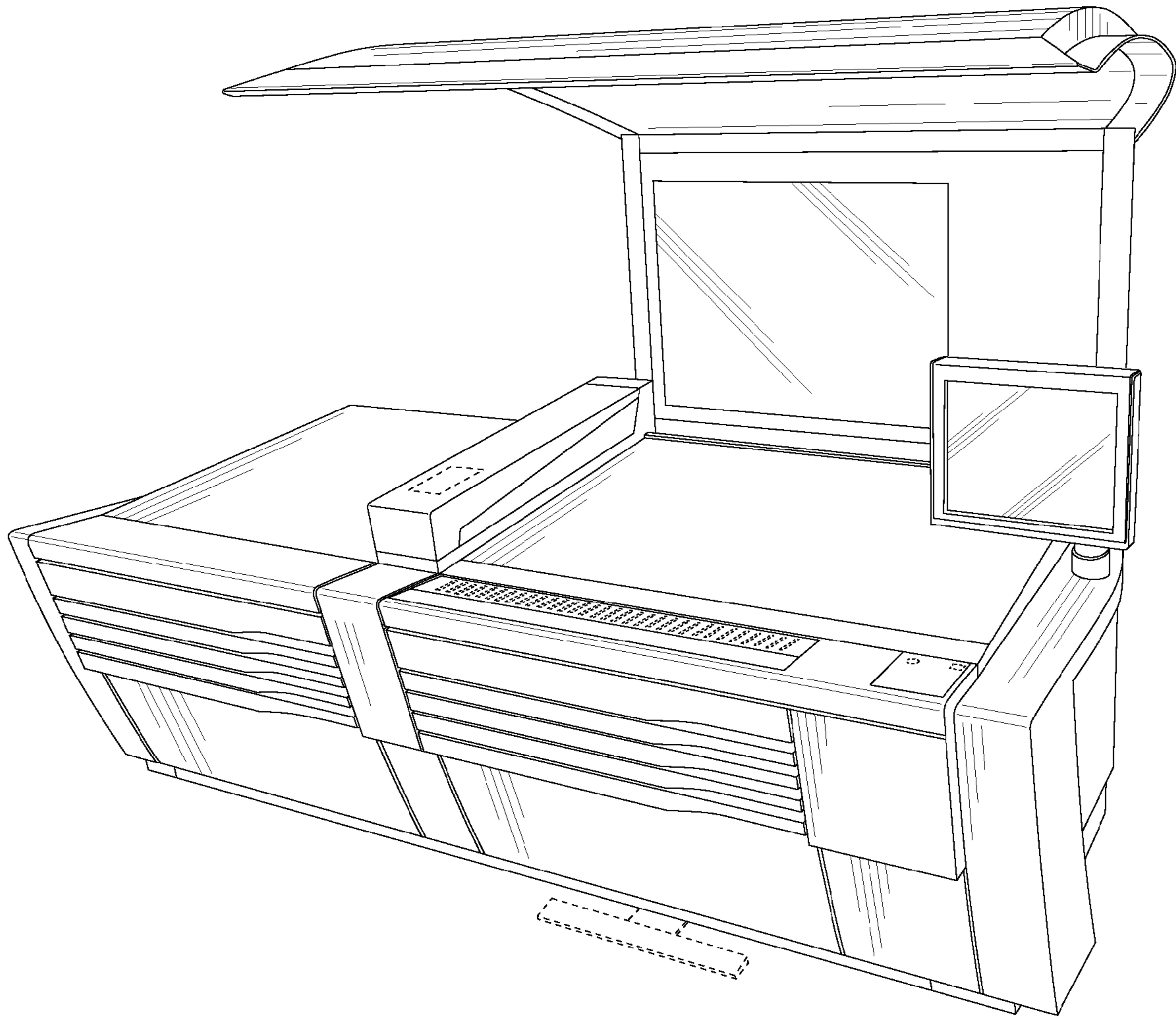


FIG. 1

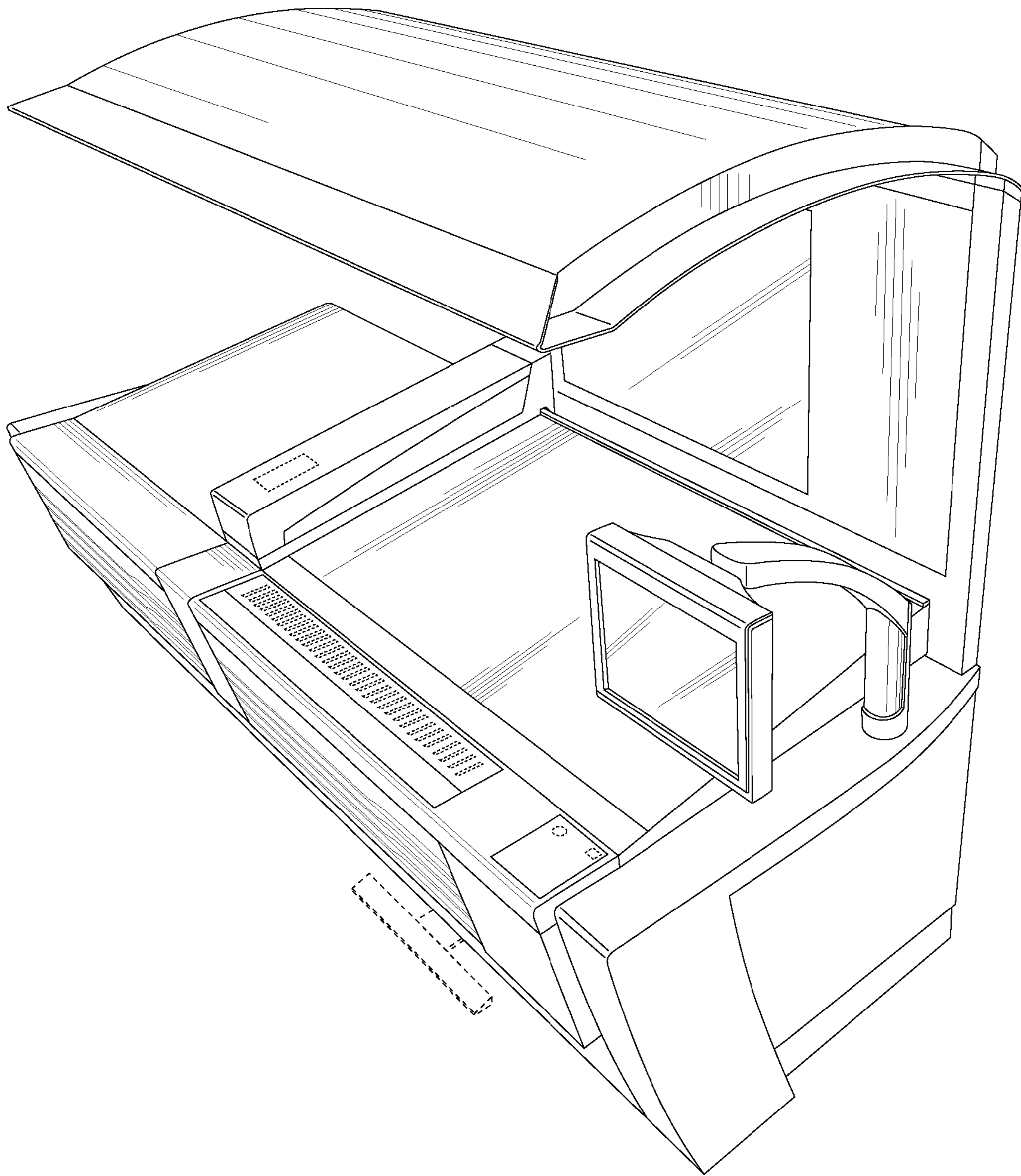


FIG. 2

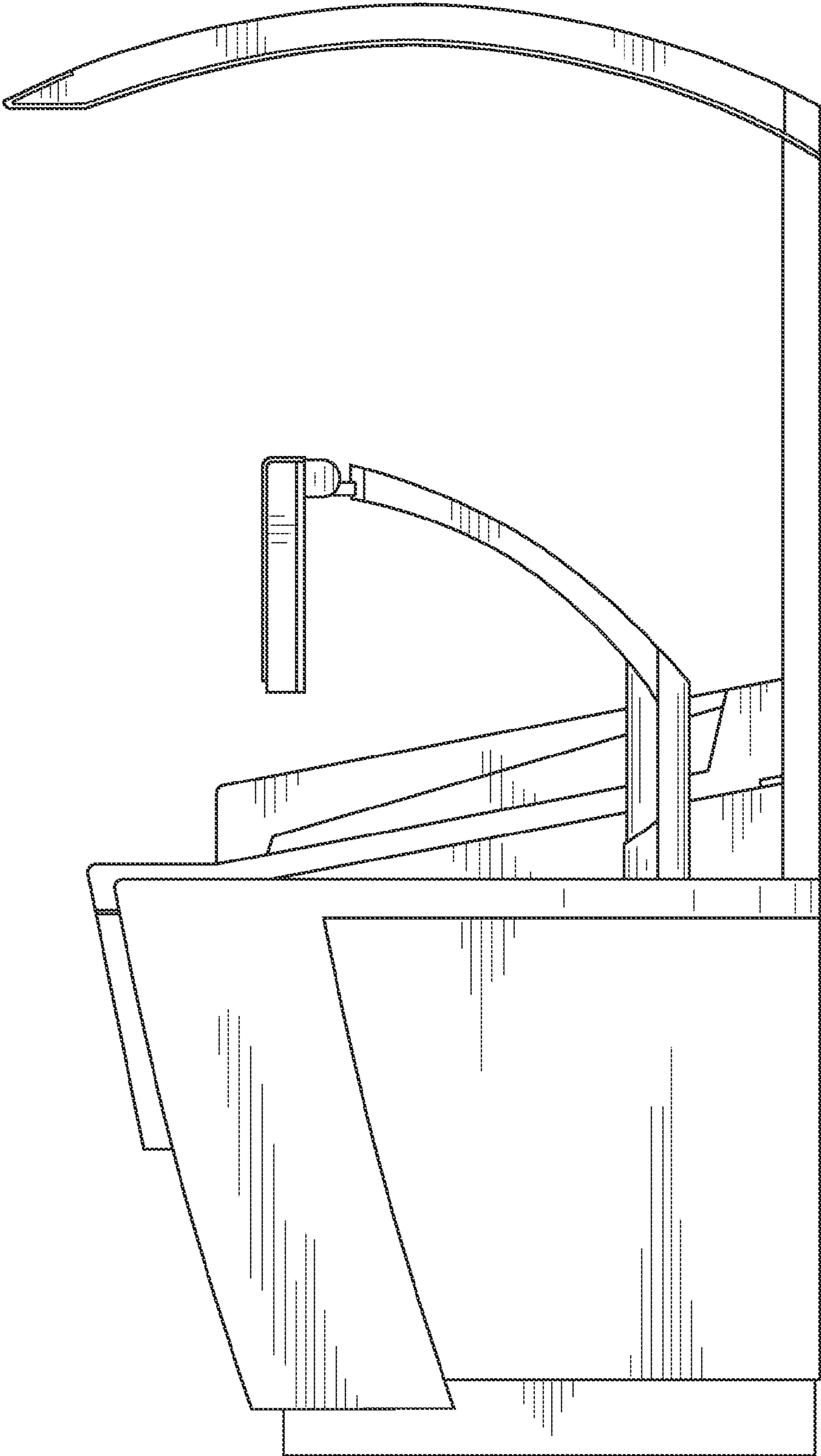


FIG. 3

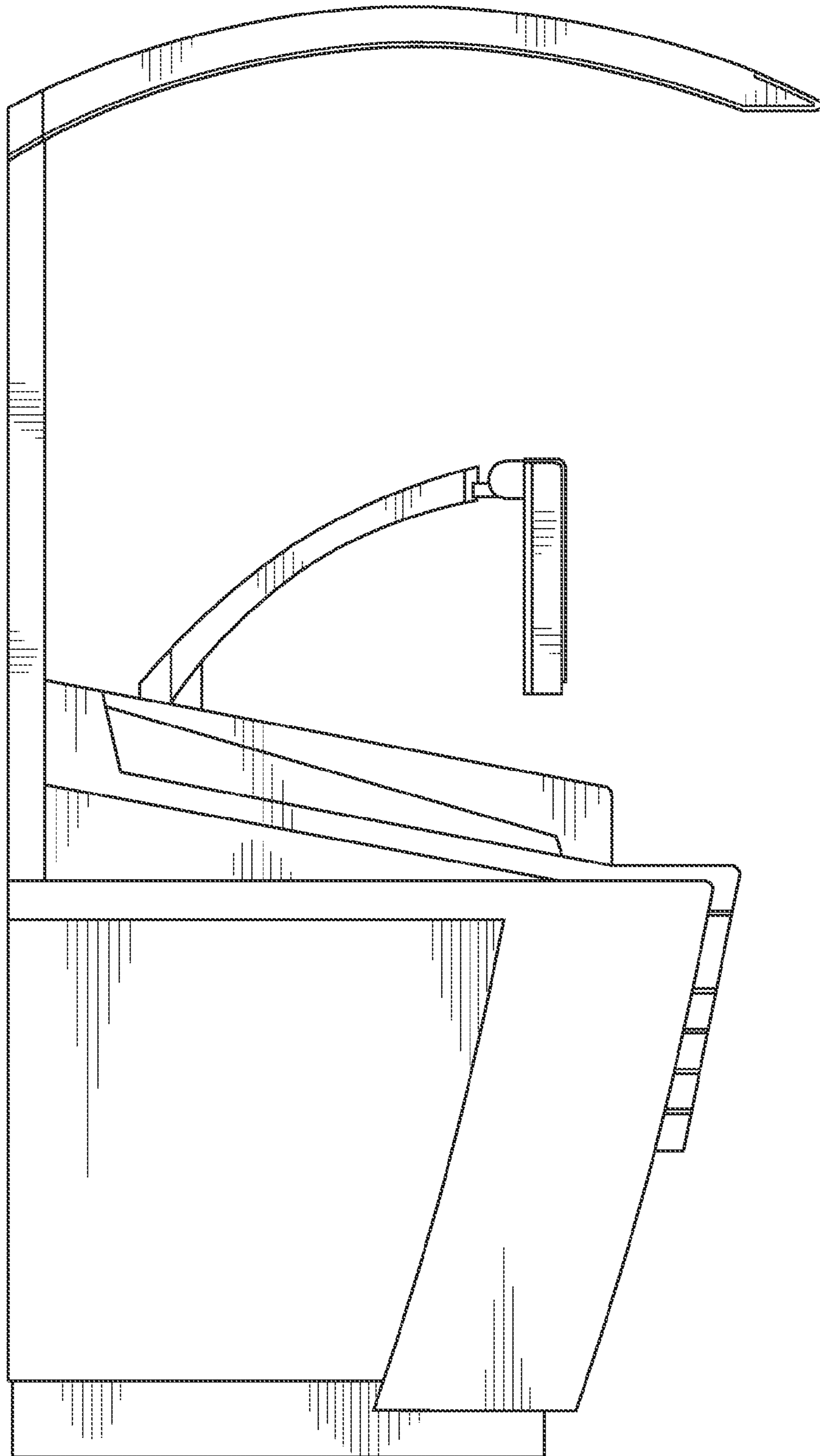


FIG. 4

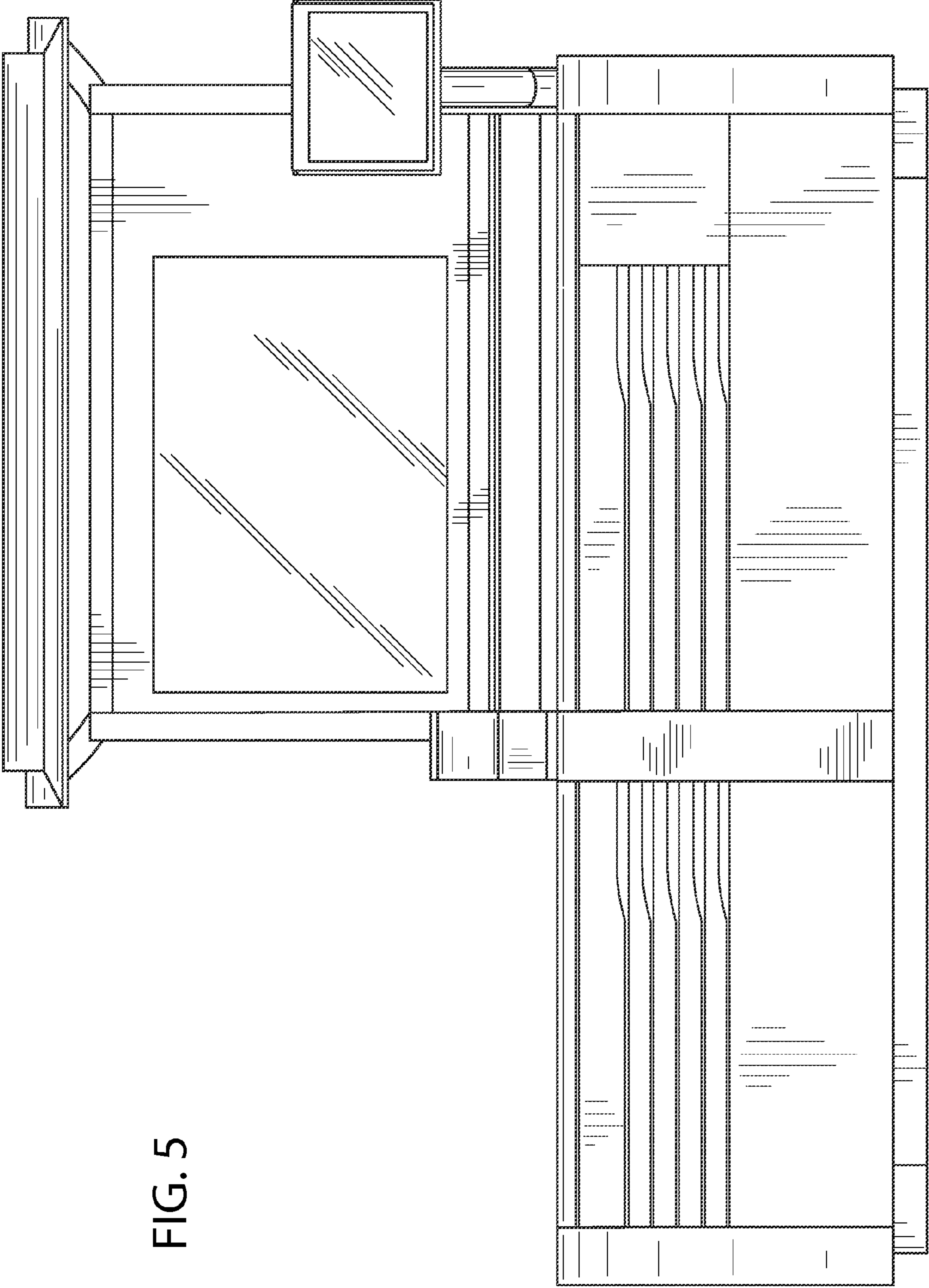


FIG. 5