



US00D624957S

(12) **United States Design Patent**
Park et al.

(10) **Patent No.:** **US D624,957 S**
(45) **Date of Patent:** **** Oct. 5, 2010**

(54) **COPY MACHINE**

(75) Inventors: **Ji-Sang Park**, Kyunggi-do (KR);
Hoon-Tae Kim, Seoul (KR); **Jong-Kyu Kim**, Seoul (KR)

(73) Assignee: **Samsung Electronics Co., Ltd.**, Suwon, Kyunggi-Do (KR)

(**) Term: **14 Years**

(21) Appl. No.: **29/316,764**

(22) Filed: **Oct. 29, 2009**

(51) **LOC (9) Cl.** **16-03**

(52) **U.S. Cl.** **D18/39; D18/50**

(58) **Field of Classification Search** D18/36-41,
D18/44-56; 222/DIG. 1; 271/3.14, 8.1,
271/226, 278; 355/97, 98; 358/1.1; 399/1-7,
399/16, 75, 81, 107, 130, 155, 361, 365,
399/381-383, 388

See application file for complete search history.

(56) **References Cited**

U.S. PATENT DOCUMENTS

- D313,617 S * 1/1991 Kosako et al. D18/37
- D326,867 S 6/1992 Kwak
- D359,506 S 6/1995 Lee
- D378,218 S 2/1997 Hong et al.
- D521,061 S * 5/2006 Katayama et al. D18/55
- D527,045 S 8/2006 Lim et al.
- D530,737 S 10/2006 Lim et al.
- D532,043 S 11/2006 Park et al.
- D536,372 S 2/2007 Lim et al.
- D551,700 S 9/2007 Park et al.
- D552,170 S 10/2007 Kim et al.
- D555,195 S 11/2007 Park et al.
- D555,722 S 11/2007 Bae et al.
- D556,253 S 11/2007 Hong et al.
- D556,822 S 12/2007 Hong et al.
- D558,261 S 12/2007 Hong et al.
- D558,262 S 12/2007 Hong et al.
- D558,820 S 1/2008 Hong et al.
- D561,248 S 2/2008 Lee et al.

- D561,824 S 2/2008 Park et al.
- D562,378 S 2/2008 Kim et al.
- D581,976 S 2/2008 Park et al.
- D573,178 S 7/2008 Lee et al.
- D573,179 S 7/2008 Bae et al.
- D579,490 S * 10/2008 Laidlaw et al. D18/55
- D580,483 S 11/2008 Park et al.
- D584,344 S 1/2009 Lee et al.
- D584,347 S 1/2009 Hong et al.
- D584,348 S 1/2009 Boo et al.
- D586,385 S 2/2009 Kim et al.
- D593,149 S 5/2009 Park et al.

(Continued)

OTHER PUBLICATIONS

U.S. Appl. No. 29/313,583, Applicant: Jong-Kyu Kim, et al., filed Jan. 23, 2009 entitled Copy Machine Attached by Function of Scanner and Printer.

(Continued)

Primary Examiner—Garth Rademaker
(74) *Attorney, Agent, or Firm*—Flynn, Thiel, Boutell & Tanis, P.C.

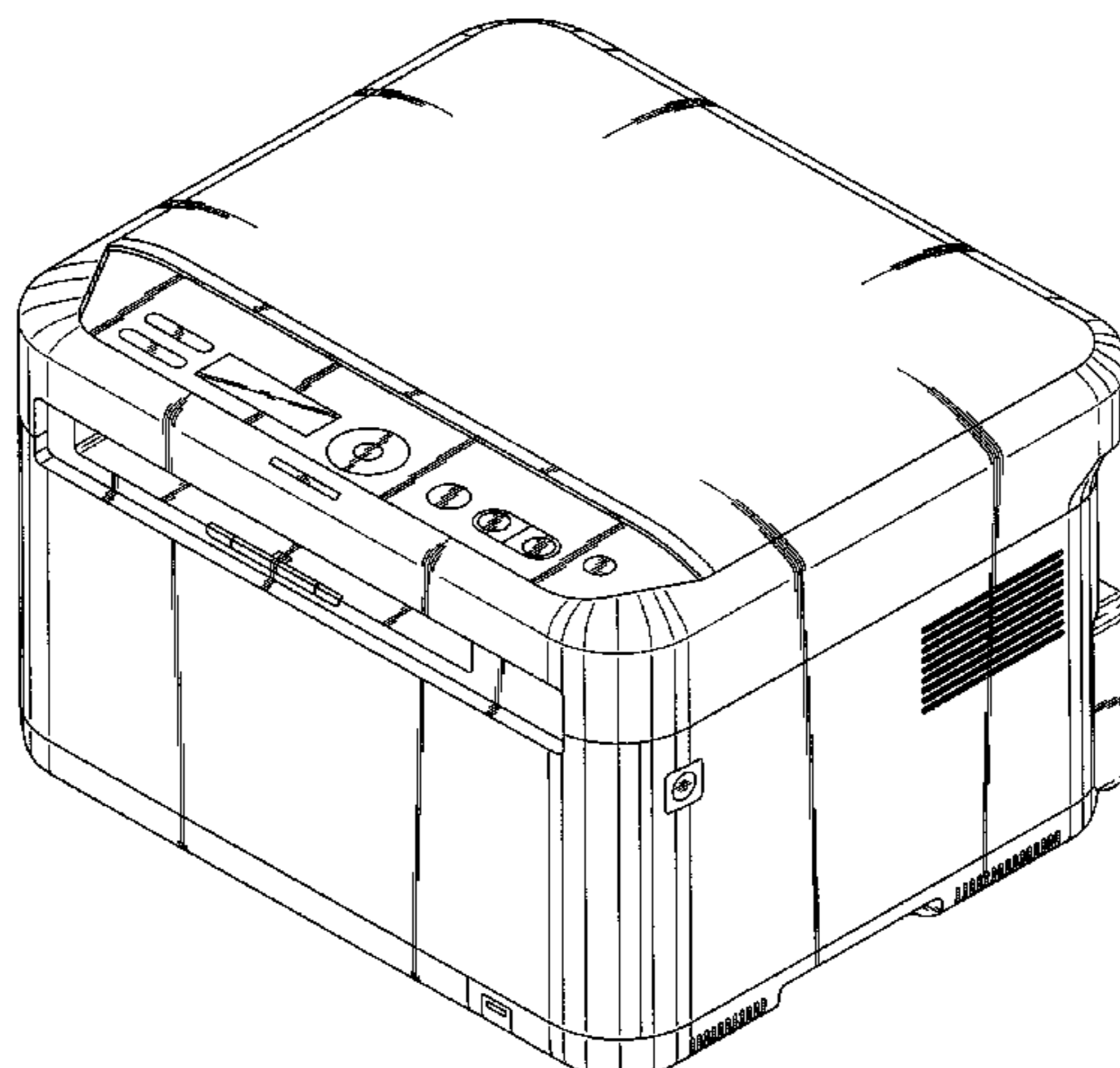
(57) **CLAIM**

The ornamental design for a copy machine, as shown and described.

DESCRIPTION

FIG. 1 is a top front perspective view of a copy machine showing our new design;
FIG. 2 is a front elevational view thereof;
FIG. 3 is a rear elevational view thereof;
FIG. 4 is a left side elevational view thereof;
FIG. 5 is a right side elevational view thereof;
FIG. 6 is a top plan view thereof; and,
FIG. 7 is a bottom plan view thereof.
The broken lines depict environmental subject matter only and form no part of the claimed design.

1 Claim, 5 Drawing Sheets



U.S. PATENT DOCUMENTS

D601,185 S 9/2009 Kim et al.
D601,186 S 9/2009 Kim et al.
D607,502 S 1/2010 Lee et al.
D607,504 S * 1/2010 Sasaki et al. D18/55
D607,505 S * 1/2010 Sasaki et al. D18/55
D607,506 S 1/2010 Kim et al.
D607,925 S 1/2010 Morrison et al.
D607,927 S 1/2010 Kim et al.
D607,928 S 1/2010 Kim et al.

OTHER PUBLICATIONS

U.S. App. No. 29/313,861, Applicant: Hee-Yul Kim, filed Feb. 17, 2009 entitled Copy Machine Attached by Function of Scanner and Printer.
U.S. Appl. No. 29/314,206, Applicant: Ji-Sang Park, et al., filed Mar. 13, 2009 entitled Laser Printer.
U.S. Appl. No. 29/314,647, Applicant: Ji-Sang Park, et al., filed Apr. 15, 2009 entitled Laser Complex.

U.S. Appl. No. 29/314,642, Applicant: Ji-Sang Park, et al., filed Apr. 15, 2009 entitled Laser Printer.
U.S. Appl. No. 29/315,577, Applicant: Hoon-Tae Kim, et al., filed Jul. 7, 2009 entitled Printer.
U.S. Appl. No. 29/316,030, Applicant: Ji-Sang Park, et al., filed Aug. 17, 2009 entitled Laser Complex.
U.S. Appl. No. 29/316,032, Applicant: Ji-Sang Park, et al., filed Aug. 17, 2009 entitled Laser Complex.
U.S. Appl. No. 29/316,300, Applicant: Kyong-Hwan Kim, et al., filed Sep. 11, 2009 entitled Laser Printer.
U.S. Appl. No. 29/316,763, Applicant: Ji-Sang Park, et al., filed Oct. 29, 2009 entitled Printer.
U.S. Appl. No. 29/316,754, Applicant: Ji-Sang Park, et al., filed Oct. 29, 2009 entitled Printer.
U.S. Appl. No. 29/316,761, Applicant: Ji-Sang Park, et al., filed Oct. 29, 2009 entitled Printer.
U.S. Appl. No. 29/316,762, Applicant: Ji-Sang Park, et al., filed Oct. 29, 2009 entitled Printer.

* cited by examiner

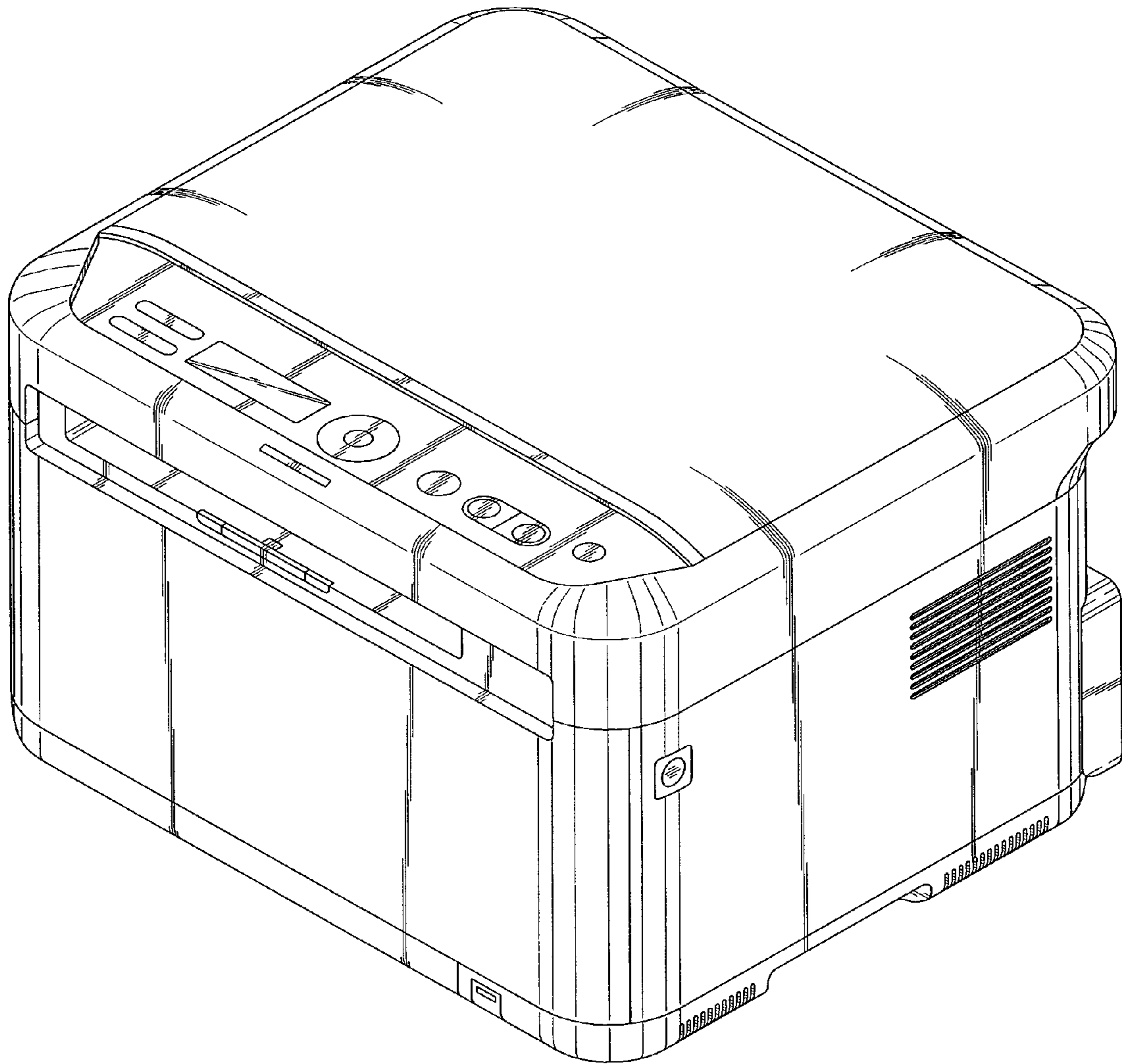


FIG. 1

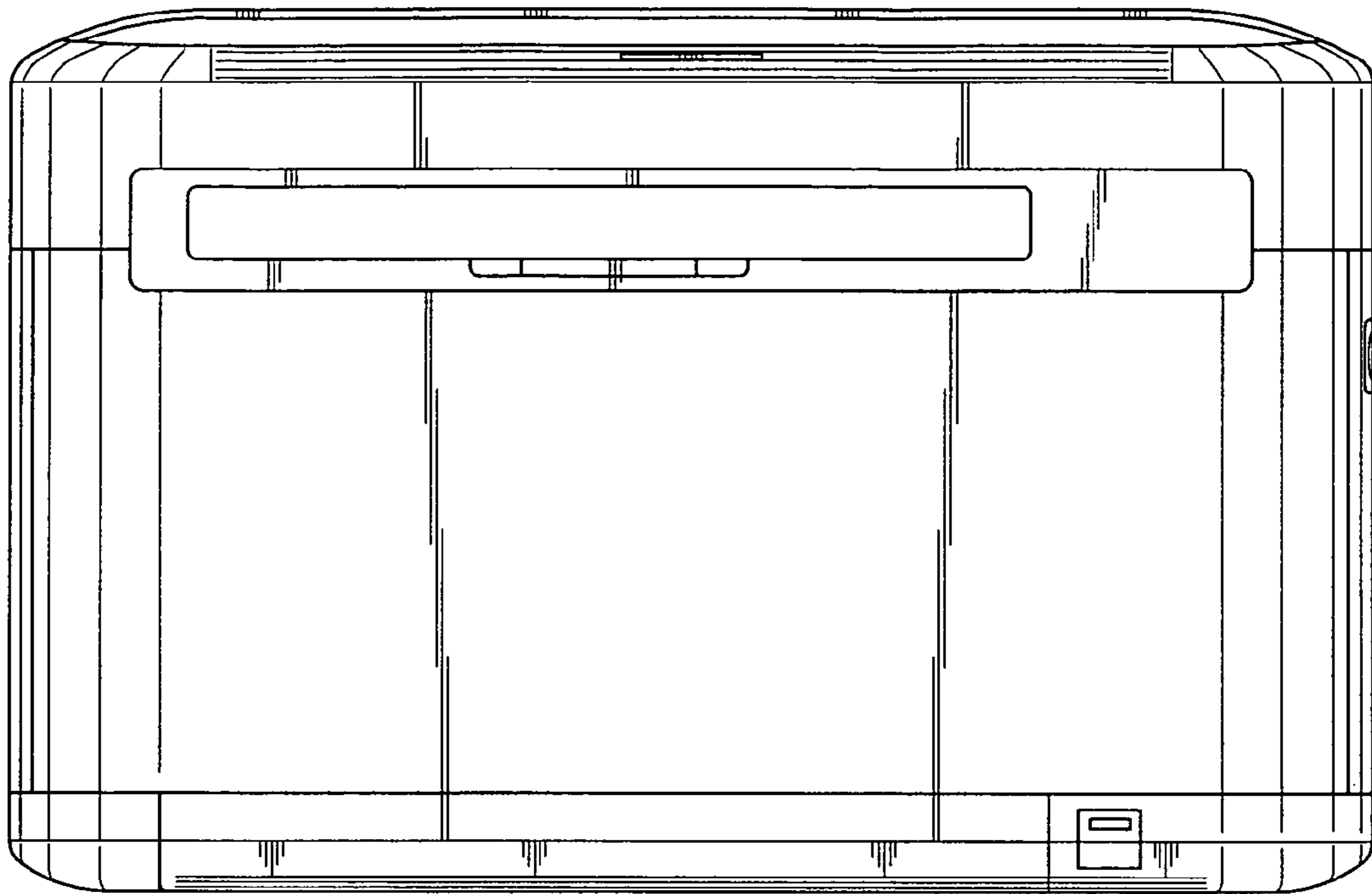


FIG. 2

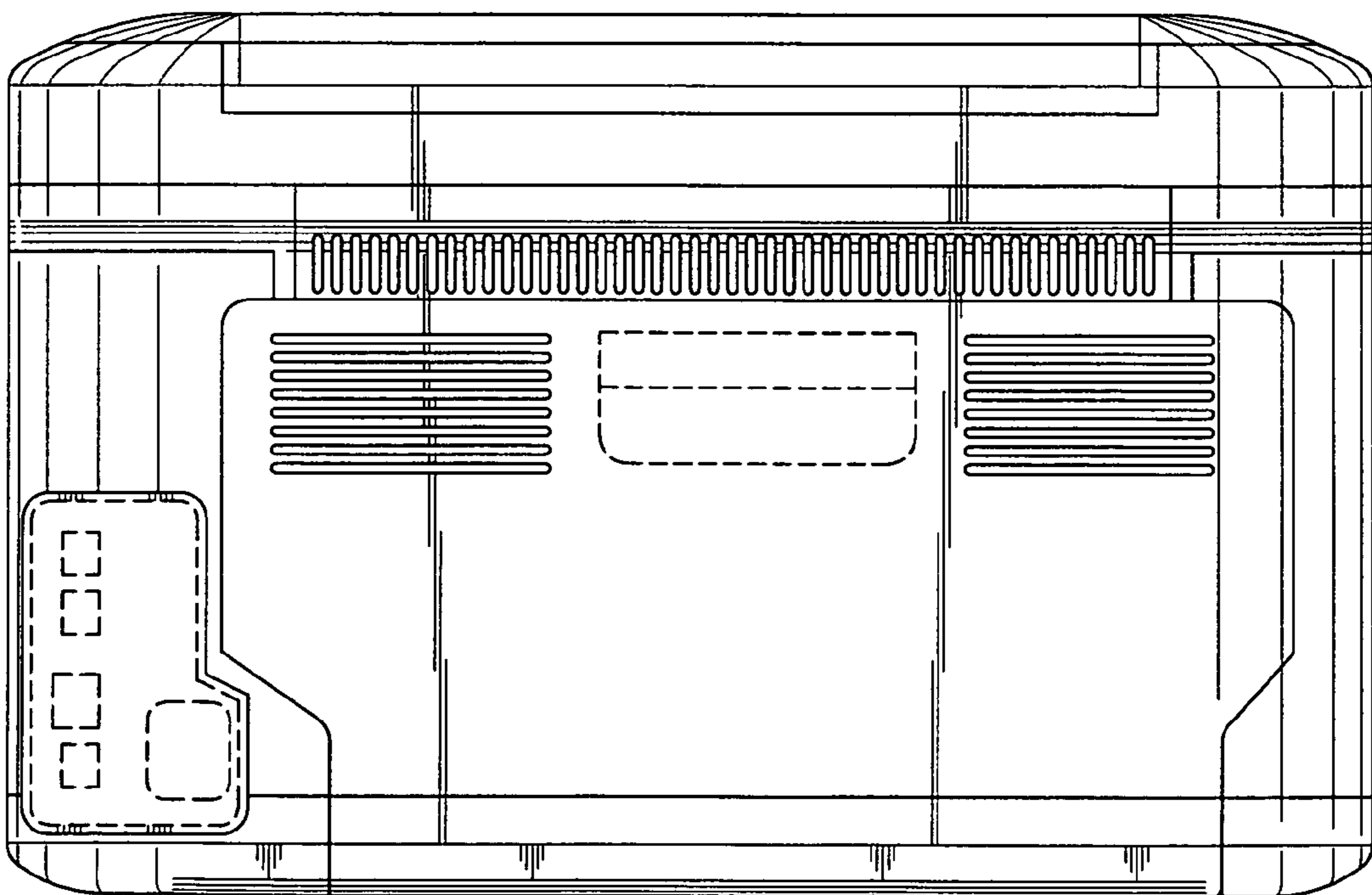


FIG. 3

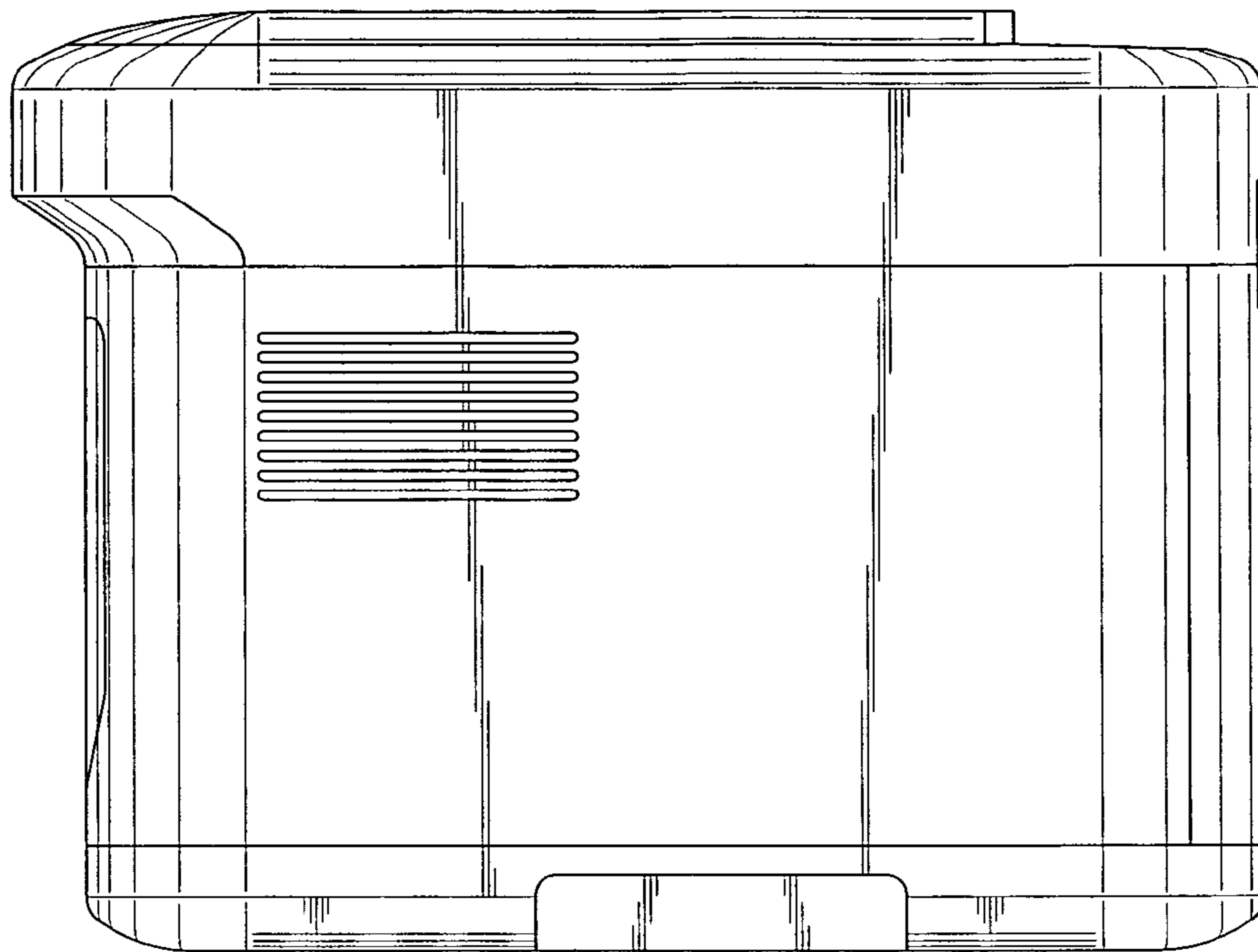


FIG. 4

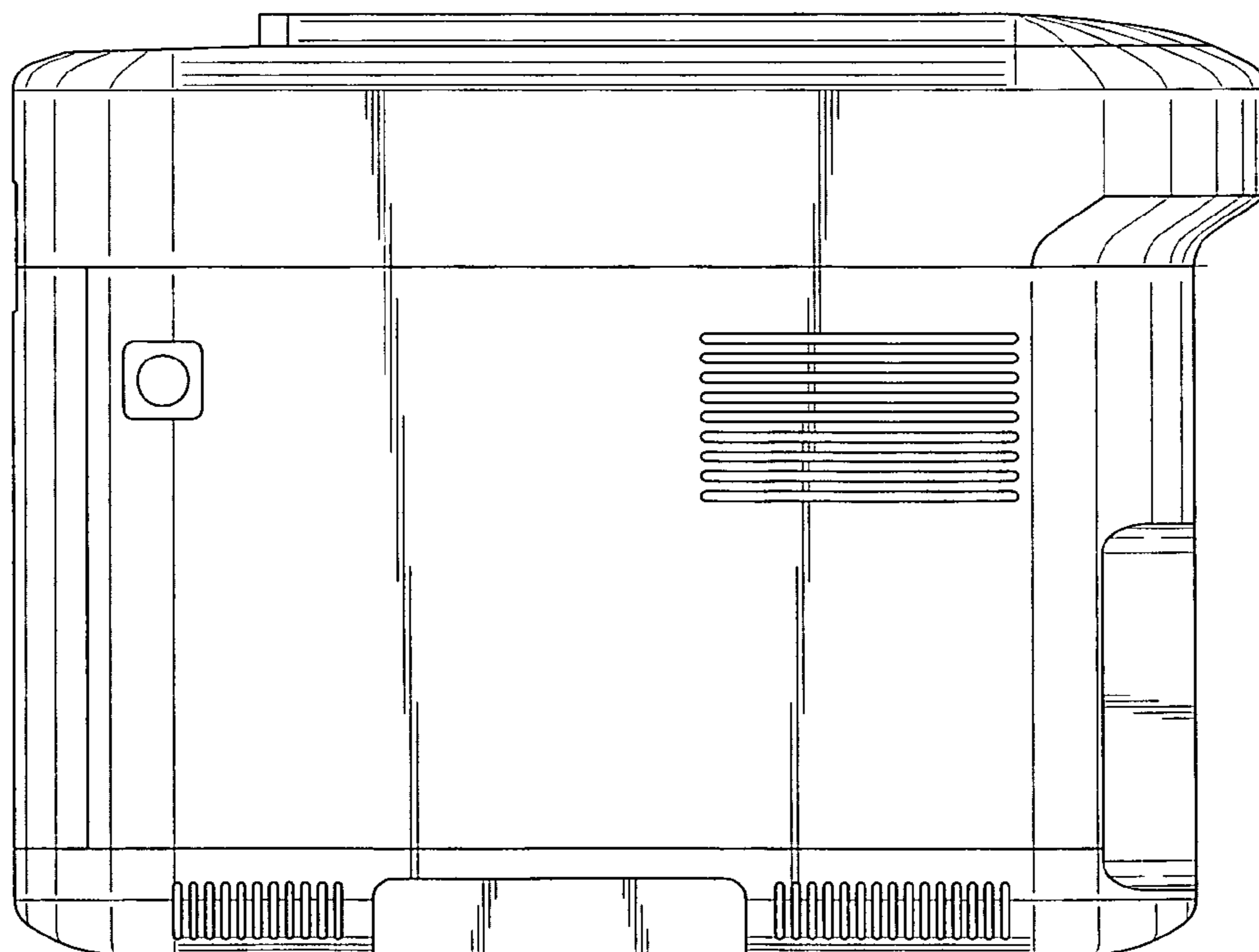


FIG. 5

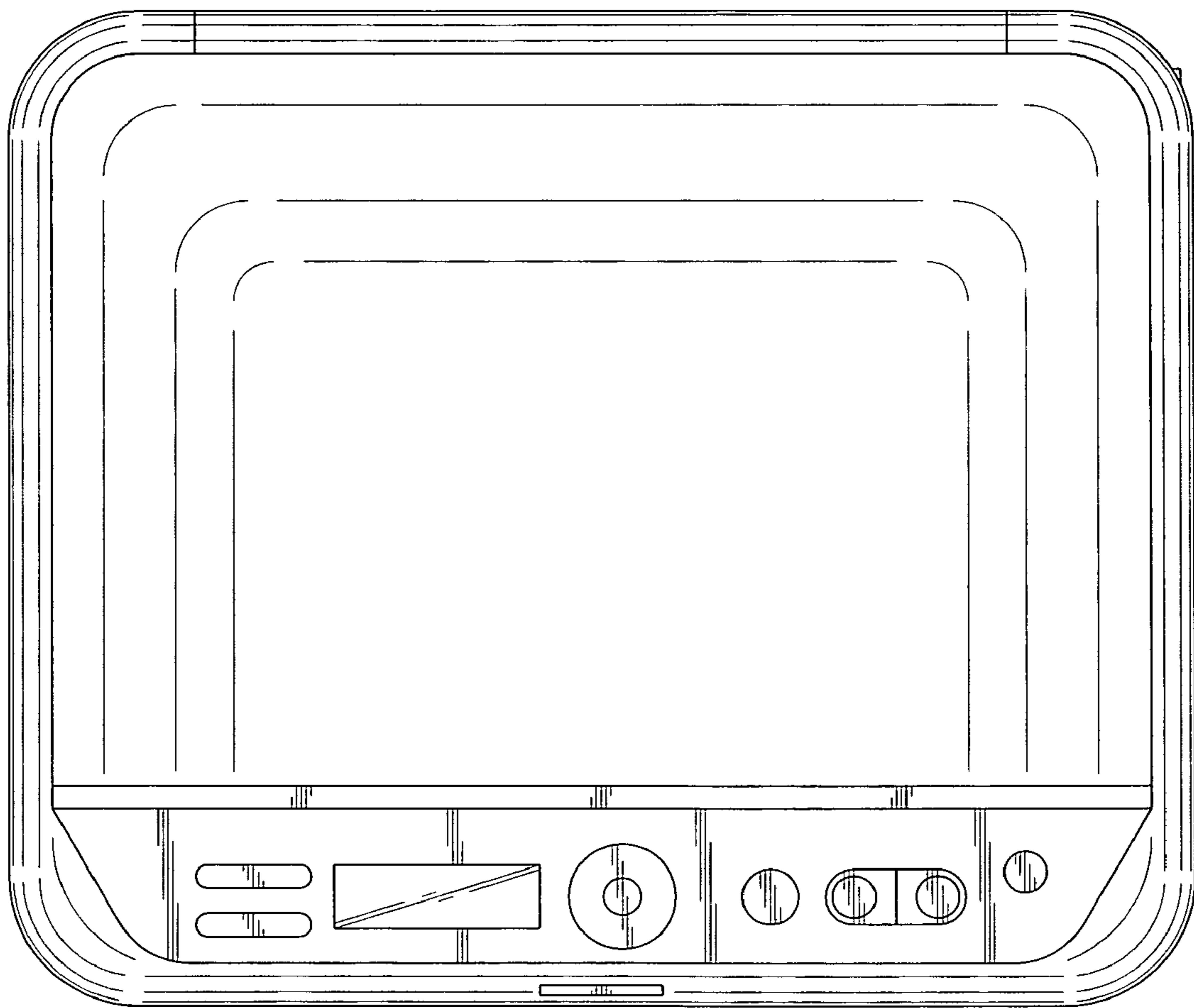


FIG. 6

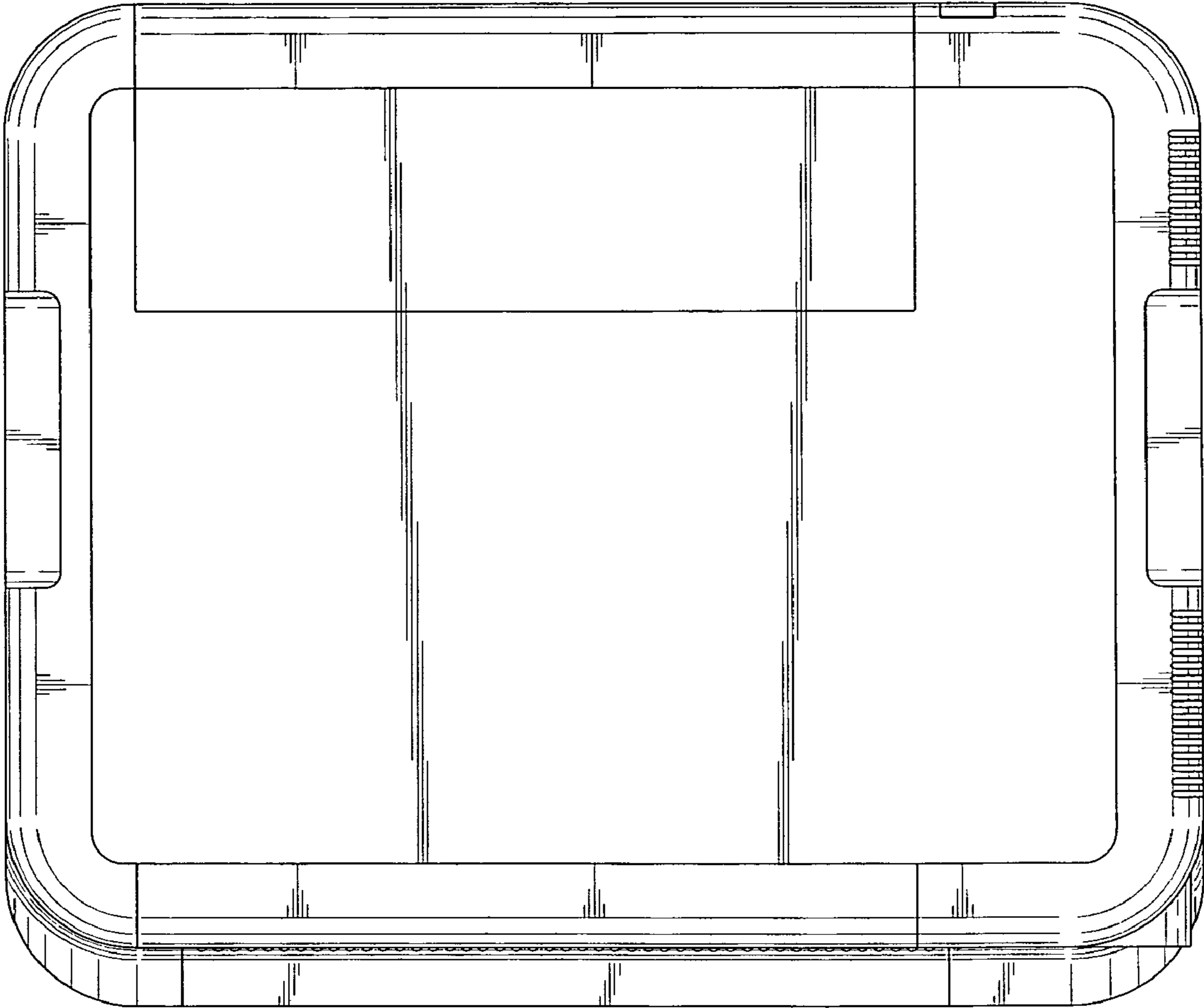


FIG. 7