



US00D624953S

(12) **United States Design Patent**
Yoshikawa et al.

(10) **Patent No.:** **US D624,953 S**
(45) **Date of Patent:** **** Oct. 5, 2010**

(54) **EYEGLASSES**
(75) Inventors: **Masao Yoshikawa**, Osaka (JP);
Shigeyuki Takao, Osaka (JP); **Amao Takahashi**, Osaka (JP)
(73) Assignee: **Panasonic Corporation**, Osaka (JP)
(**) Term: **14 Years**
(21) Appl. No.: **29/357,313**
(22) Filed: **Mar. 10, 2010**
(30) **Foreign Application Priority Data**
Sep. 11, 2009 (JP) 2009-021005

JP	D1042056	6/1999
JP	D1043954	7/1999
JP	D1046661	8/1999
JP	D1086021	9/2000
JP	D1106447	4/2001
JP	D1124408	10/2001
JP	D1135759	3/2002
JP	D1136212	3/2002
JP	D1136213	3/2002
JP	D1154577	9/2002
JP	D1170201	4/2003
JP	D1177524	6/2003
JP	D1177542	6/2003
JP	D1193594	1/2004
JP	D1236623	4/2005
JP	D1243808	6/2005
JP	D1282816	10/2006

(51) **LOC (9) Cl.** **16-06**
(52) **U.S. Cl.** **D16/326; D16/306**
(58) **Field of Classification Search** D16/101,
D16/300-342; D29/109-110; D24/110.2;
351/41, 44, 51-52, 62, 158, 92, 103-123,
351/140, 153, 45-46; 2/426-432, 447-449,
2/441, 434-437, 13, 15; D21/483, 659-661
See application file for complete search history.

* cited by examiner

Primary Examiner—Raphael Barkai
(74) *Attorney, Agent, or Firm*—Brinks Hofer Gilson & Lione

(57) **CLAIM**

We claim the ornamental design for eyeglasses, as shown and described.

(56) **References Cited**
U.S. PATENT DOCUMENTS
D228,028 S * 7/1973 LeBlanc D16/304
3,944,344 A * 3/1976 Wichers 351/41
4,322,138 A * 3/1982 Minart 351/155
4,400,067 A * 8/1983 Joffe 351/59
D377,036 S * 12/1996 Leonardi D16/304
D431,042 S * 9/2000 Lin D16/304
6,278,501 B1 * 8/2001 Lin 351/41
D462,979 S * 9/2002 Fairclough D16/311
D539,834 S * 4/2007 Hester D16/327
D602,064 S * 10/2009 Mitsui et al. D16/300

DESCRIPTION

FIG. 1 is a top perspective view of eyeglasses of the present invention;
FIG. 2 is a front view thereof;
FIG. 3 is a rear view thereof;
FIG. 4 is a first side view thereof;
FIG. 5 is a second side view thereof;
FIG. 6 is a top view thereof; and,
FIG. 7 is a bottom view thereof.

FOREIGN PATENT DOCUMENTS
JP D1024991/1 11/1998

1 Claim, 7 Drawing Sheets

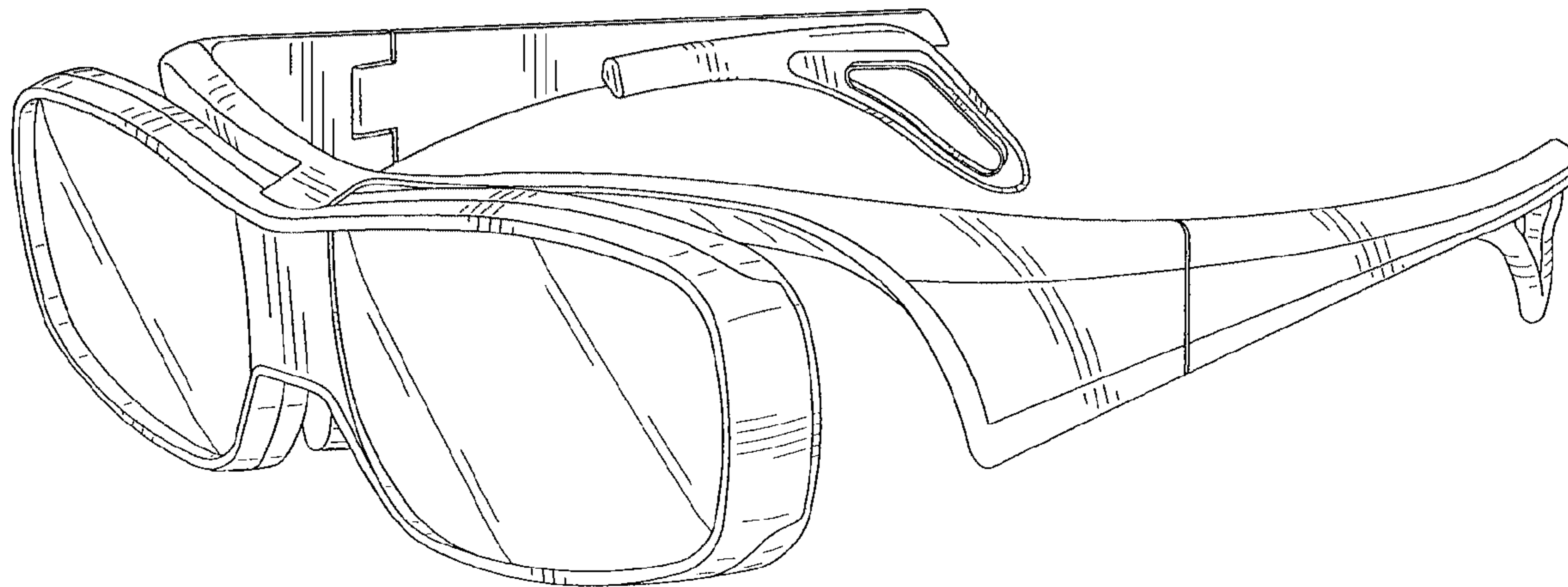


FIG.1

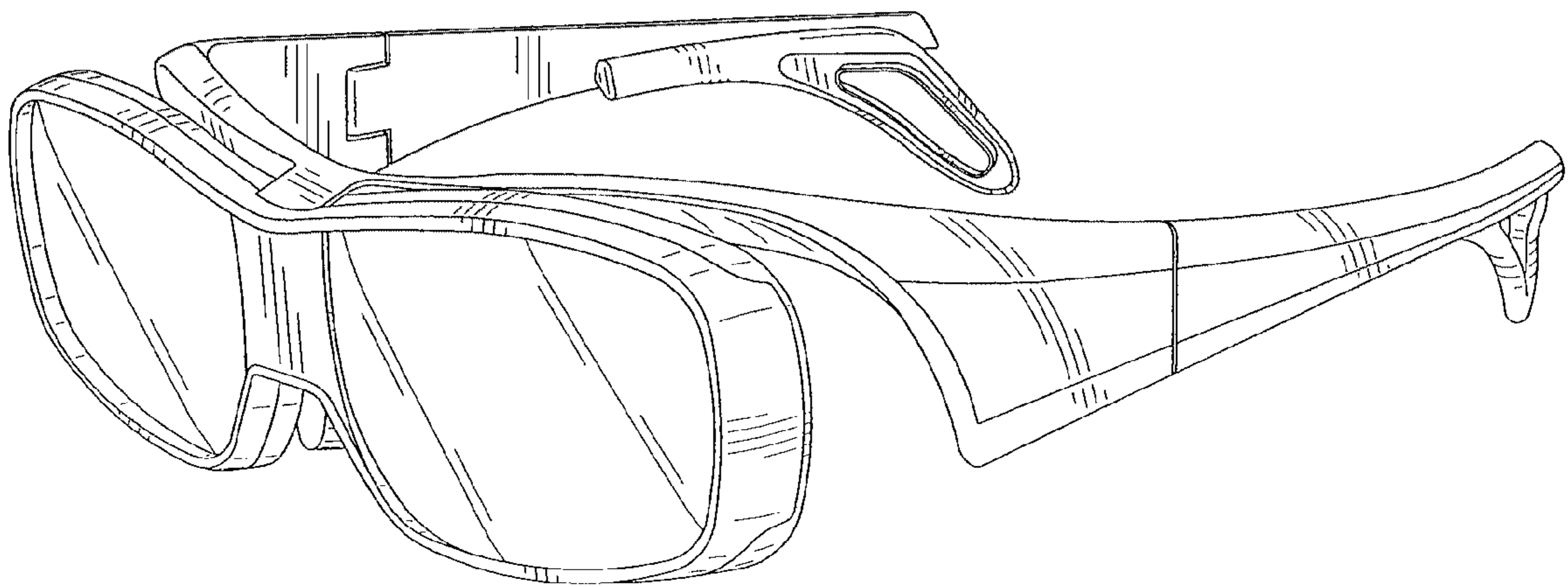


FIG.2

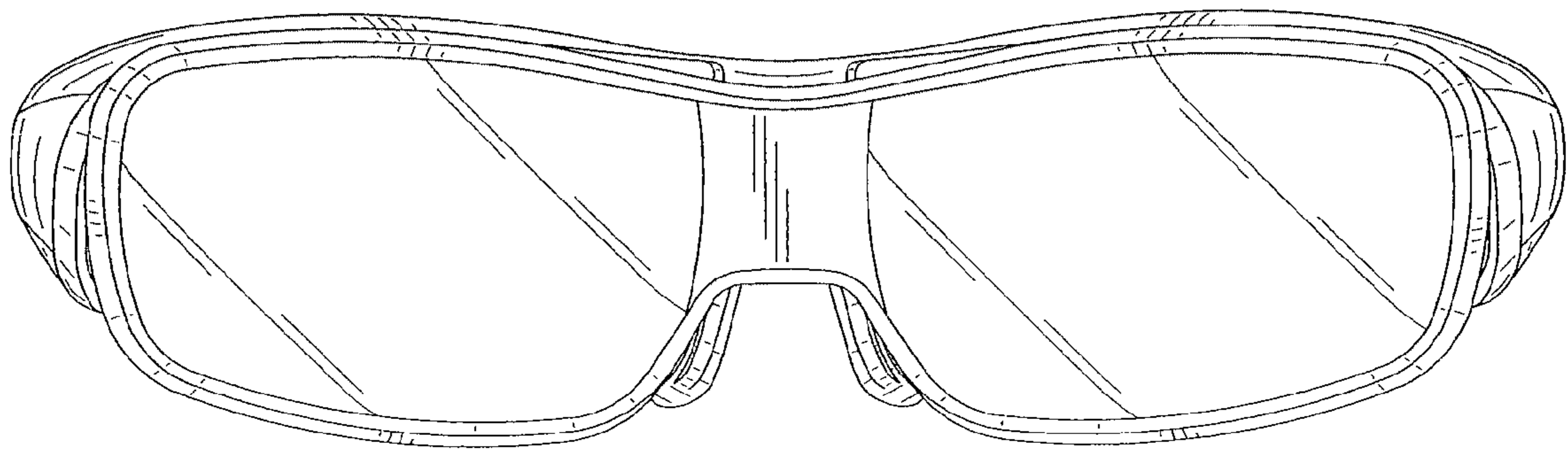


FIG.3

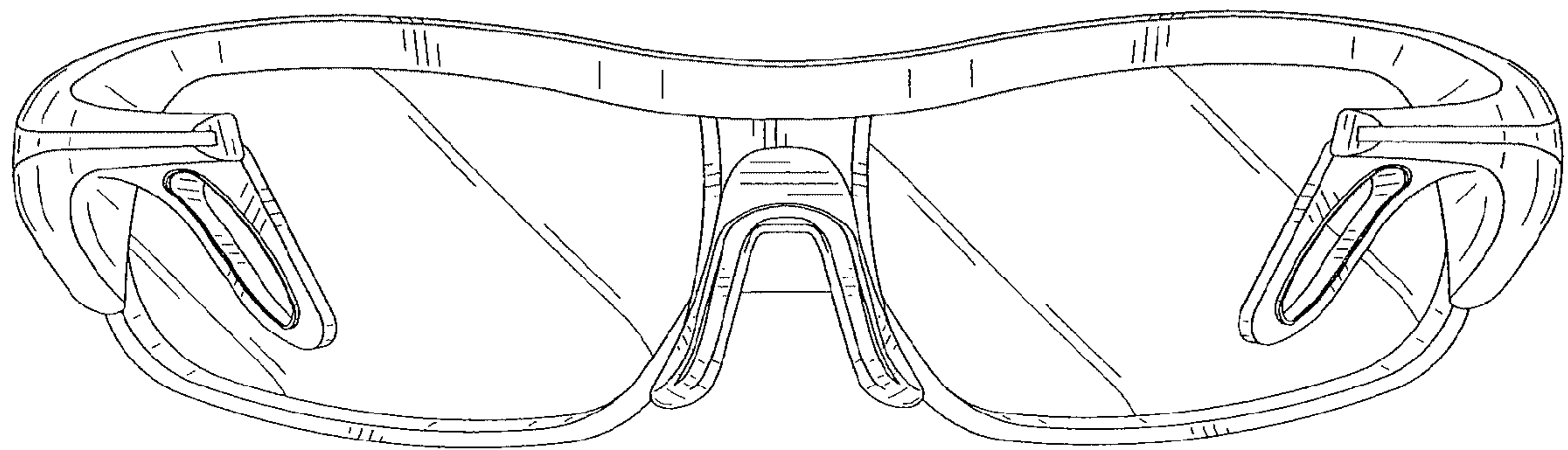


FIG.4

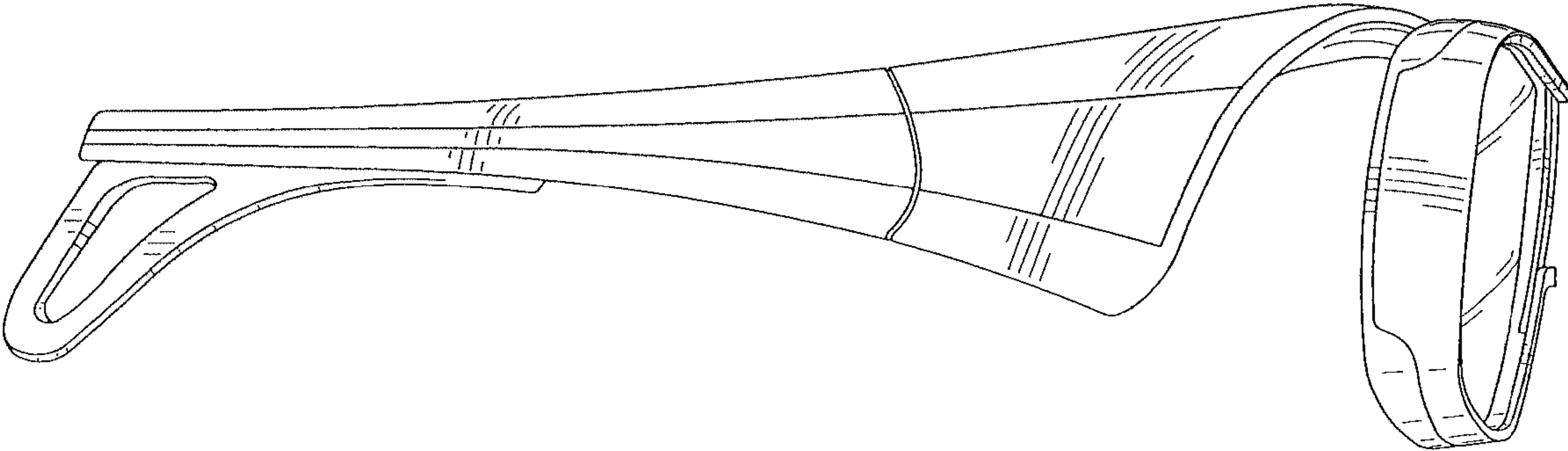


FIG.5

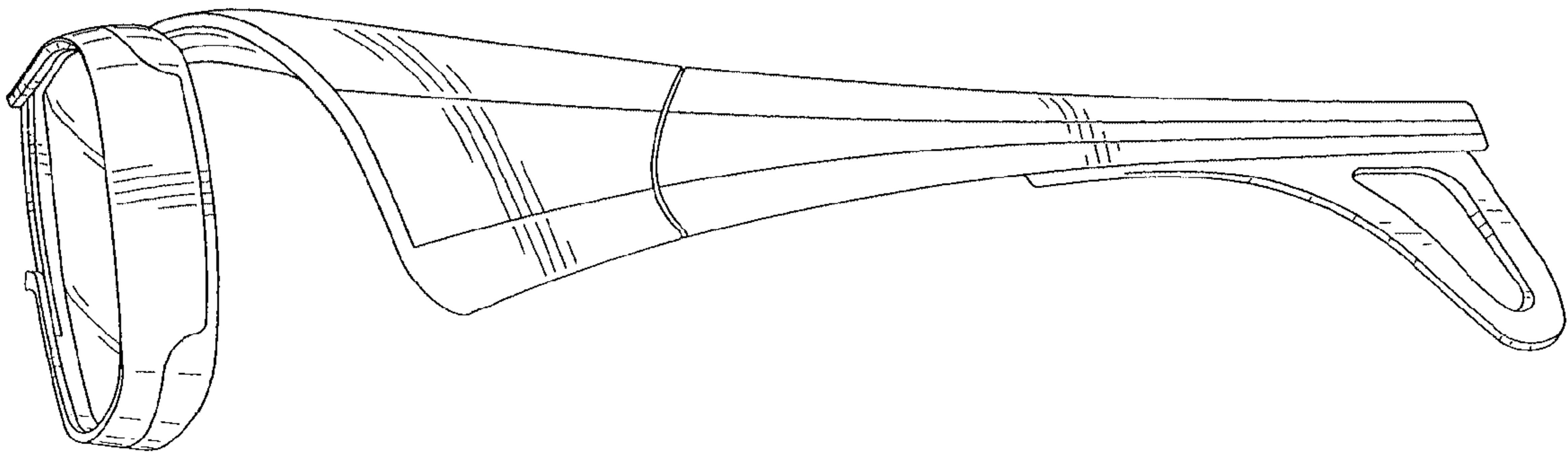


FIG.6

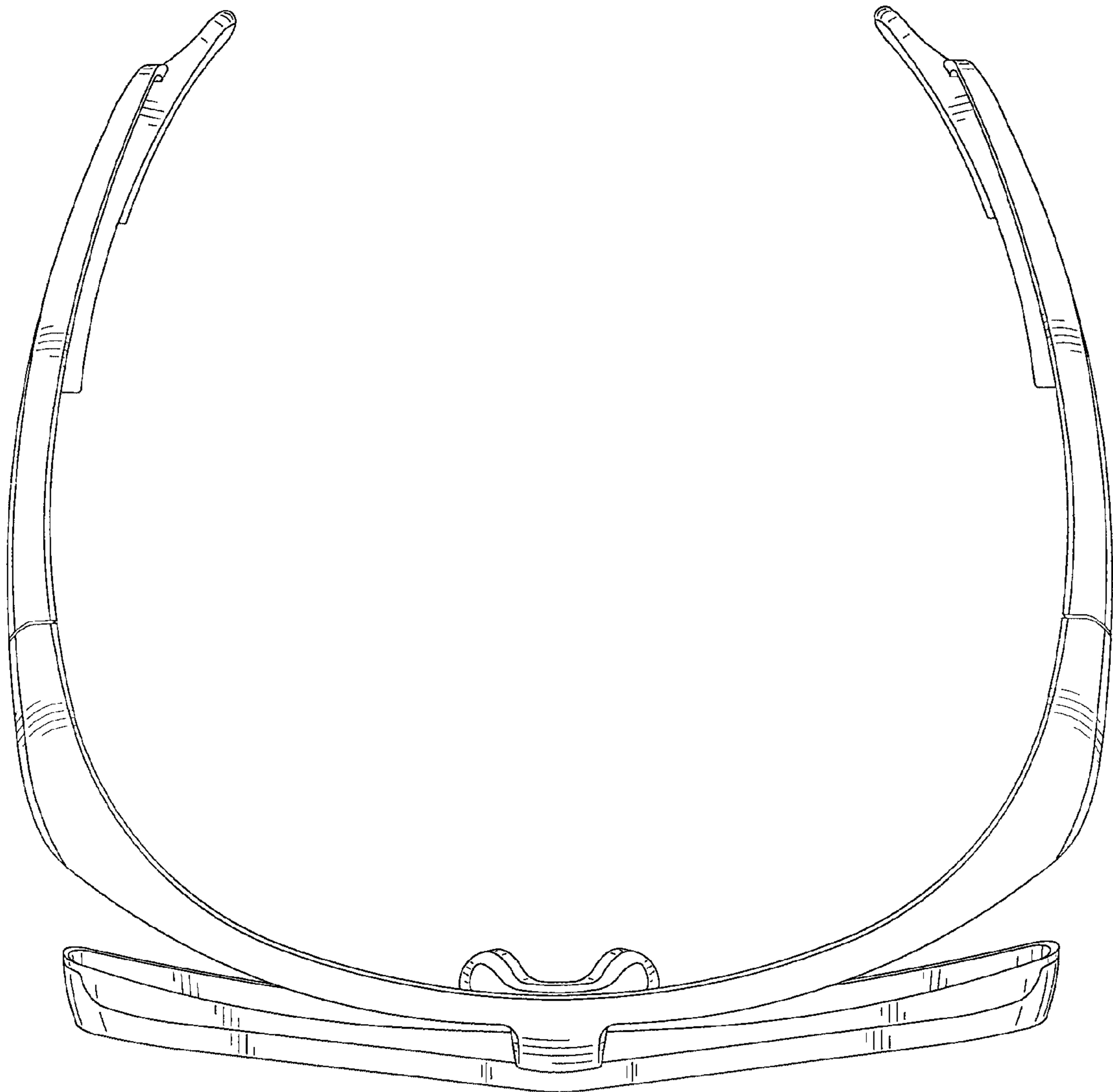


FIG.7

