



US00D624952S

(12) **United States Design Patent**
Carlow et al.

(10) **Patent No.:** **US D624,952 S**

(45) **Date of Patent:** **** *Oct. 5, 2010**

(54) **3D GLASSES**

(75) Inventors: **Richard A. Carlow**, South Pasadena, CA (US); **Eugenia J. Chen**, Arcadia, CA (US); **Michael J. Chen**, Tustin, CA (US); **Craig Steele**, Hollyglen, CA (US); **Ashley Tilling**, San Juan Capistrano, CA (US); **Roozbeh Mousavi**, Chatsworth, CA (US); **David Hamm**, Glendale, CA (US)

(73) Assignee: **X6D Ltd.**, Ljubijana (SI)

(*) Notice: This patent is subject to a terminal disclaimer.

(**) Term: **14 Years**

(21) Appl. No.: **29/326,498**

(22) Filed: **Oct. 20, 2008**

(51) **LOC (9) Cl.** **16-06**

(52) **U.S. Cl.** **D16/325; D16/326; D16/327; D16/300**

(58) **Field of Classification Search** D16/101, D16/300-342; D29/109-110; D24/110.2; 351/41, 44, 51-52, 62, 158, 92, 103-123, 351/140, 153, 45-46; 2/426-432, 447-449, 2/441, 434-437, 13, 15; D21/483, 659-661
See application file for complete search history.

(56) **References Cited**

U.S. PATENT DOCUMENTS

4,021,846 A 5/1977 Roese

(Continued)

FOREIGN PATENT DOCUMENTS

WO 2007126904 11/2007

OTHER PUBLICATIONS

Bos, Philip et al., Field-Sequential Stereoscopic Viewing Systems Using Passive Glasses, Tektronix, Inc., Beaverton, OR, 5 pages.

Primary Examiner—Raphael Barkai

(74) *Attorney, Agent, or Firm*—Bracewell & Giuliani

(57) **CLAIM**

We claim the ornamental design for 3D glasses, as shown and described.

DESCRIPTION

FIG. 1 is a perspective view of the front and top of the 3D glasses showing design of our invention;

FIG. 2 is a front elevation view of the 3D glasses;

FIG. 3 is a left side elevation view showing exterior of temple of FIG. 1;

FIG. 4 is a top perspective view of FIG. 1;

FIG. 5 is a front elevation view of FIG. 1;

FIG. 6 is a left side elevation showing exterior of the left temple view of FIG. 1;

FIG. 7 is a top plan elevation view of the 3D glasses of FIG. 1;

FIG. 8 is a left side elevation view the interior of the left temple of FIG. 1;

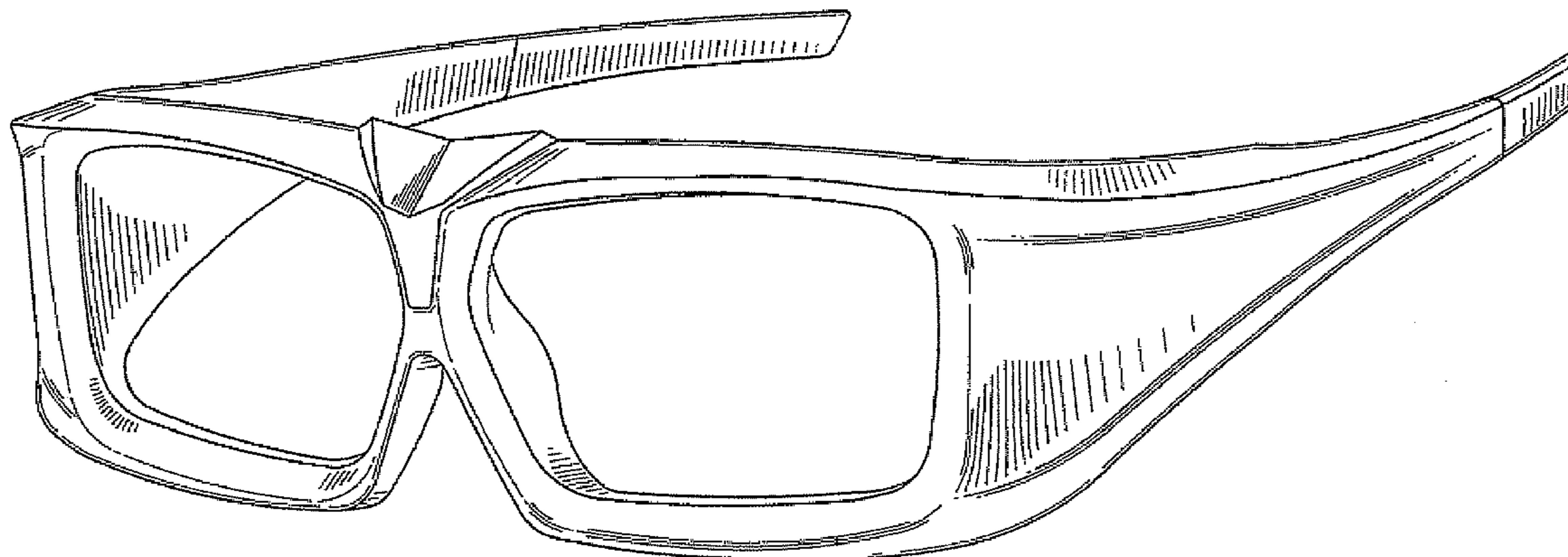
FIG. 9 is the rear elevation view of FIG. 1;

FIG. 10 is the bottom plan view the interior of the right temple of FIG. 1;

FIG. 11 is the bottom perspective view of FIG. 1; and,

FIG. 12 is the right side elevation view of the interior of the right temple of FIG. 1.

1 Claim, 7 Drawing Sheets



US D624,952 S

Page 2

U.S. PATENT DOCUMENTS			
4,286,286	A	8/1981	Jurisson et al.
4,424,529	A	1/1984	Roese et al.
4,943,852	A	7/1990	Femano et al.
4,967,268	A	10/1990	Lipton et al.
6,108,058	A	8/2000	Uchida
6,278,501	B1	8/2001	Lin
6,456,432	B1	9/2002	Lazzaro et al.
D488,499	S *	4/2004	Mage D16/326
6,987,549	B2	1/2006	Wu et al.
7,068,241	B2	6/2006	Sato et al.
D539,830	S *	4/2007	Saderholm et al. D16/326
D552,155	S *	10/2007	Markovitz D16/326
D557,730	S *	12/2007	Mage D16/326
D561,810	S *	2/2008	Fox et al. D16/325
D567,842	S *	4/2008	Miklitarian D16/326
D576,662	S *	9/2008	Lane et al. D16/326
2007/0229395	A1	10/2007	Slavenburg et al.
			* cited by examiner

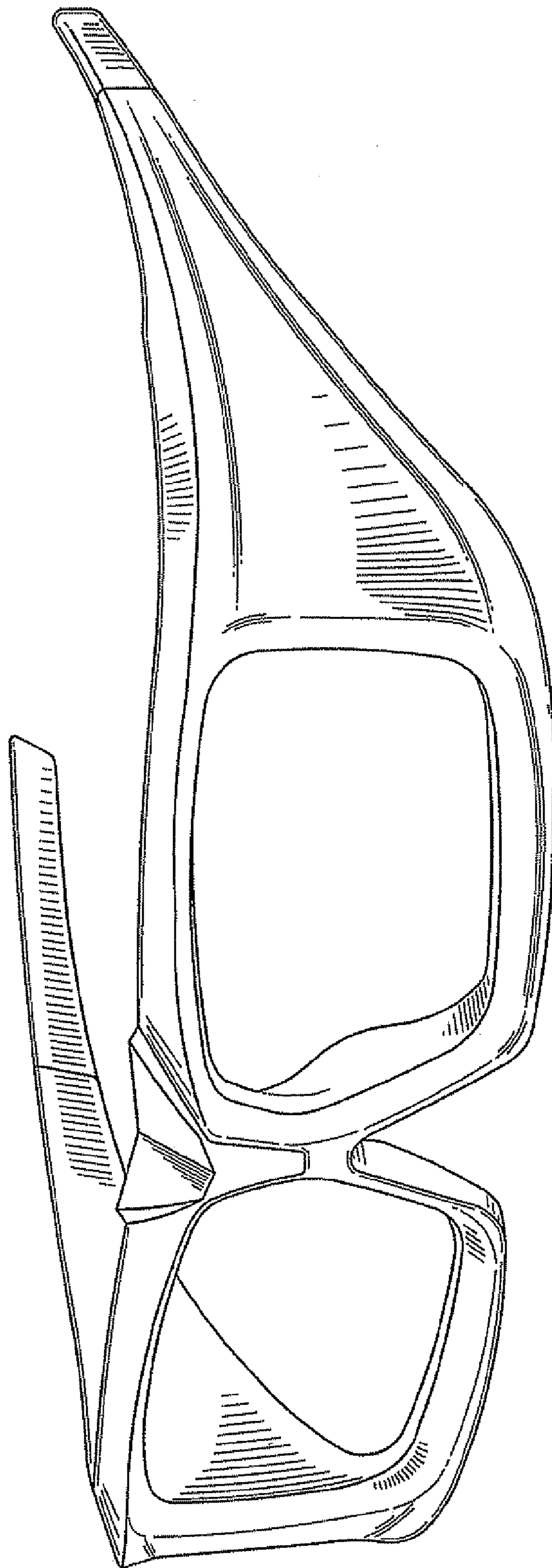


Fig. 1

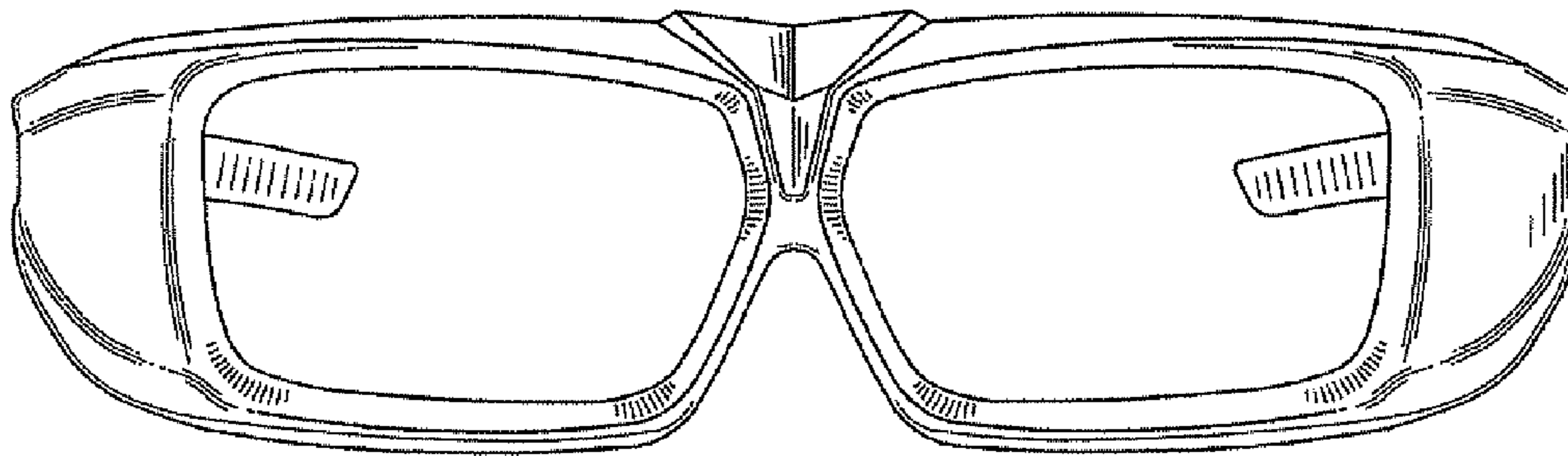


Fig. 2

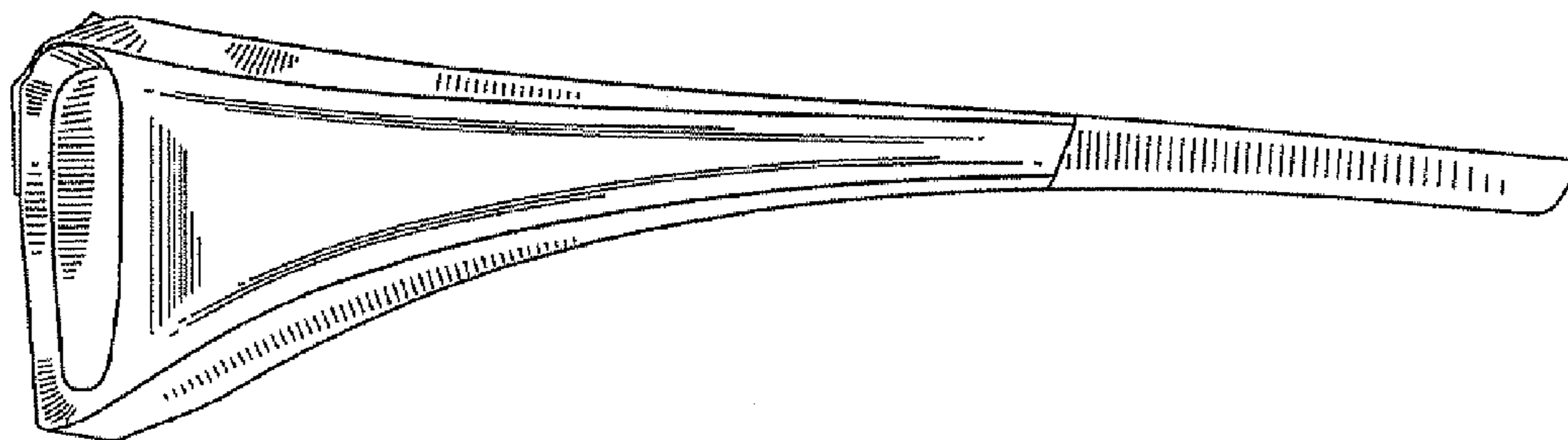
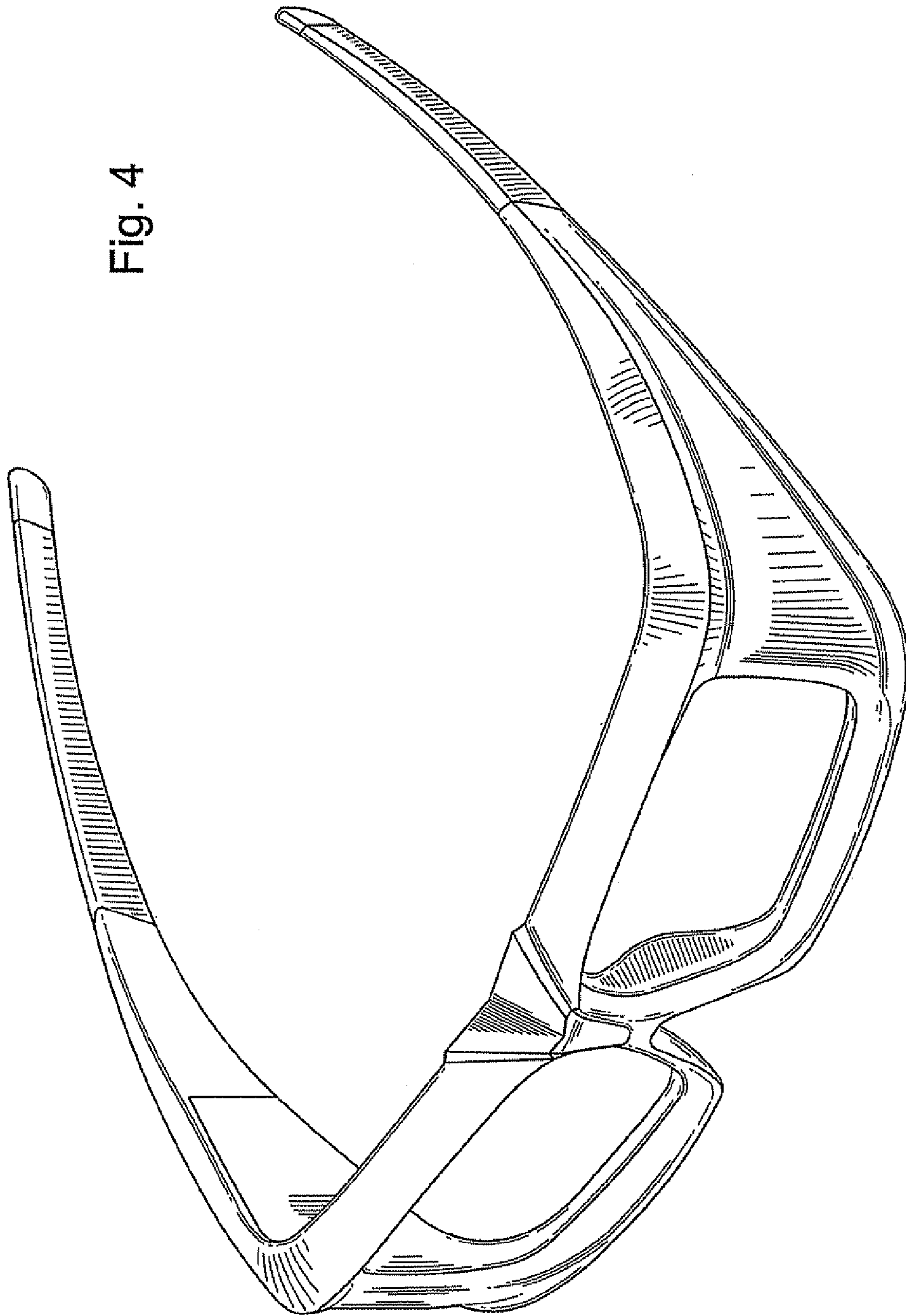


Fig. 3

Fig. 4



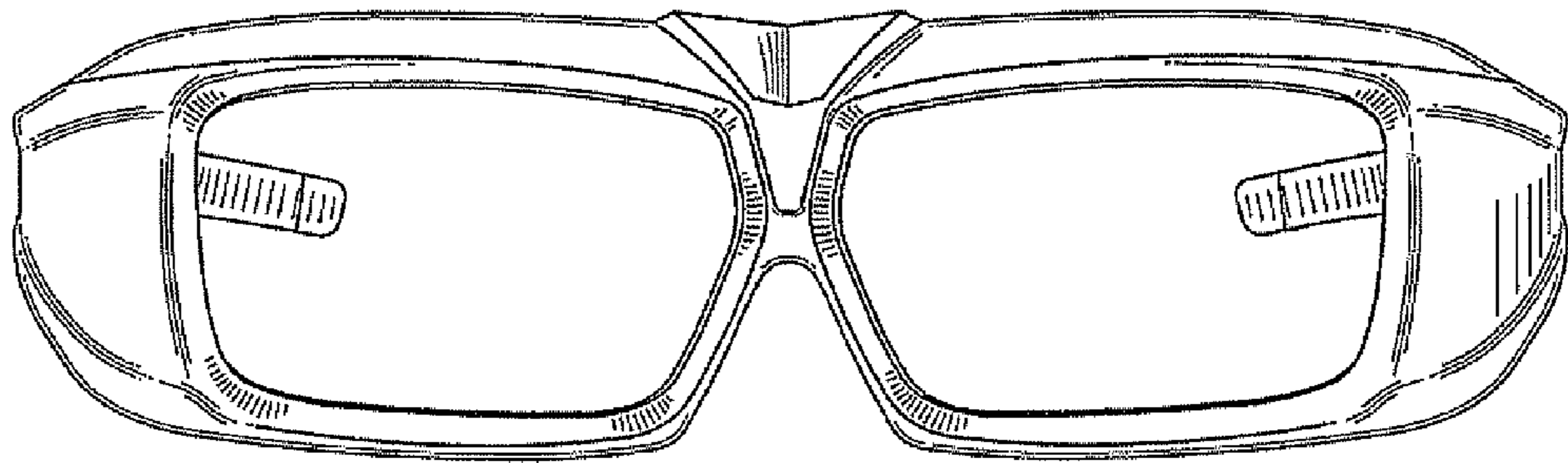


Fig. 5

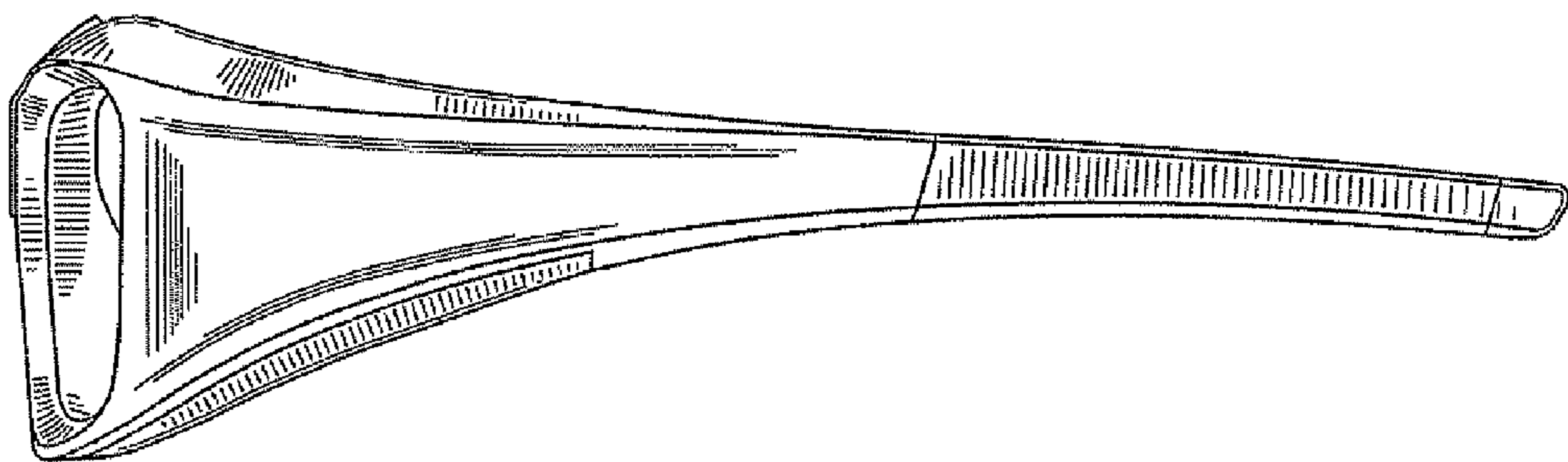


Fig. 6

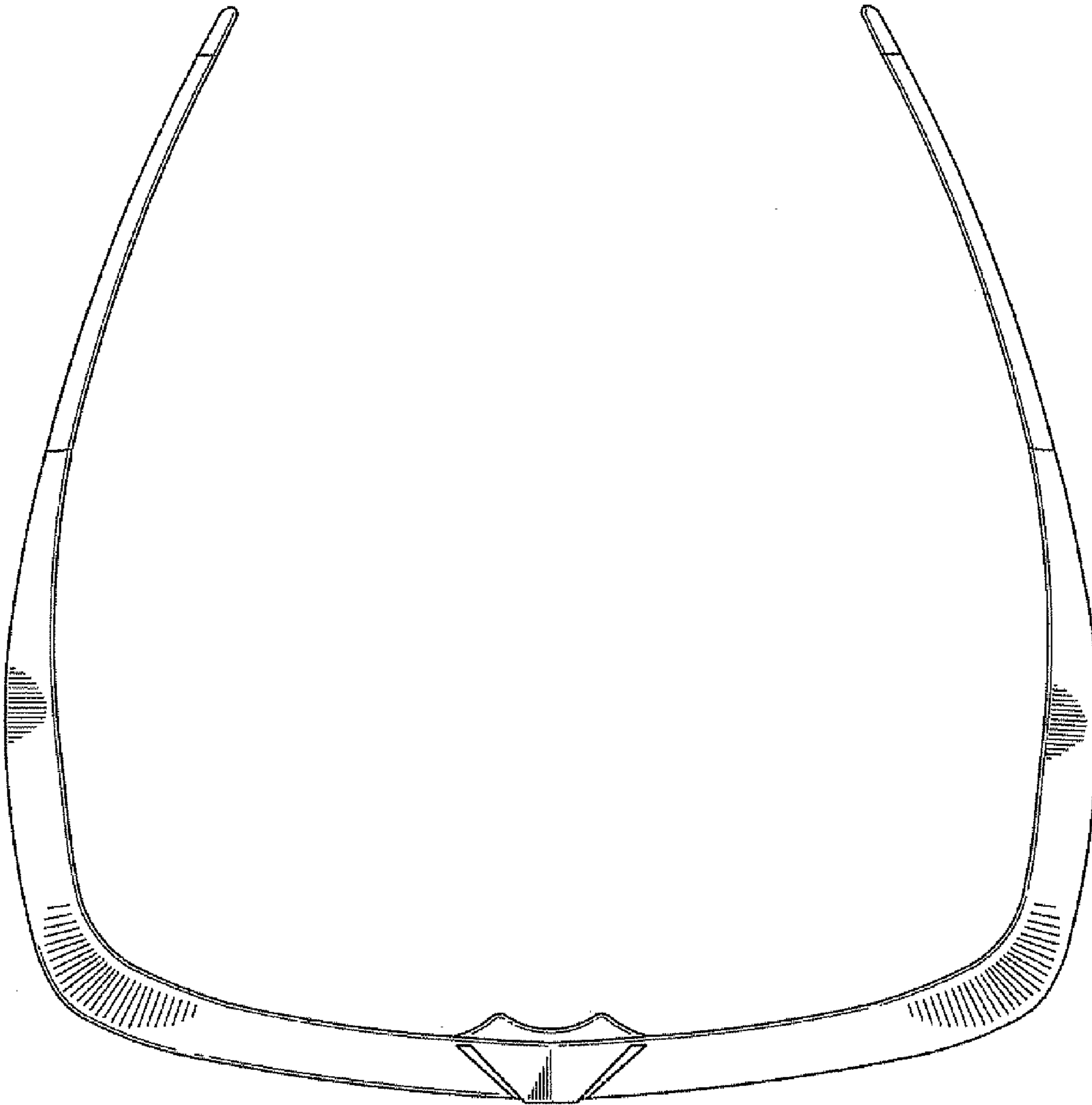


Fig. 7

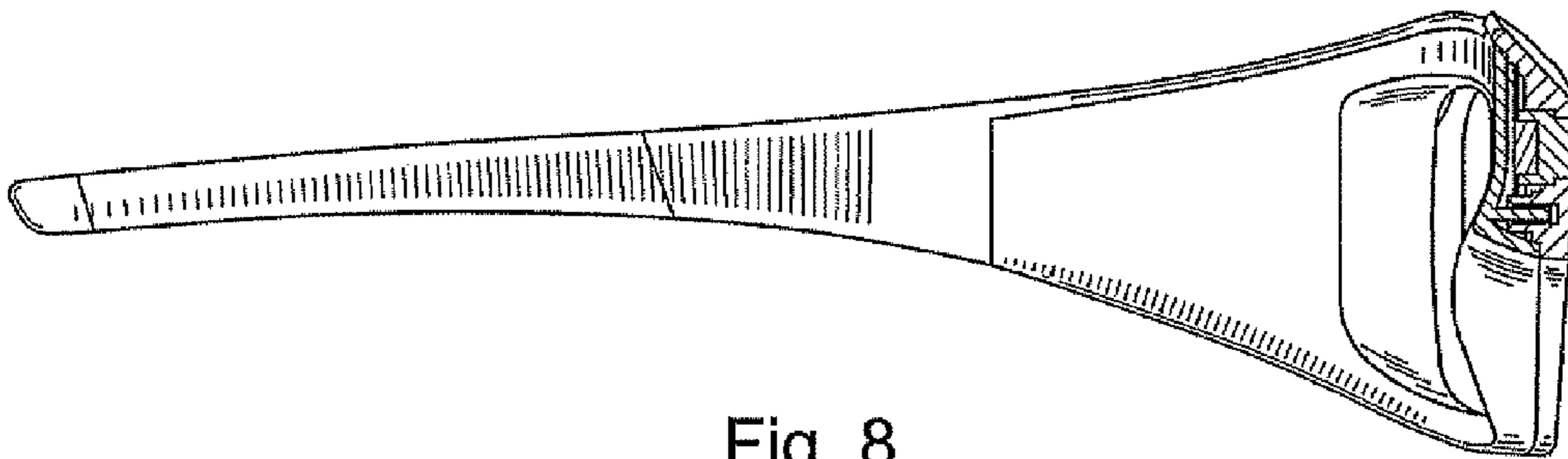


Fig. 8

Fig. 9

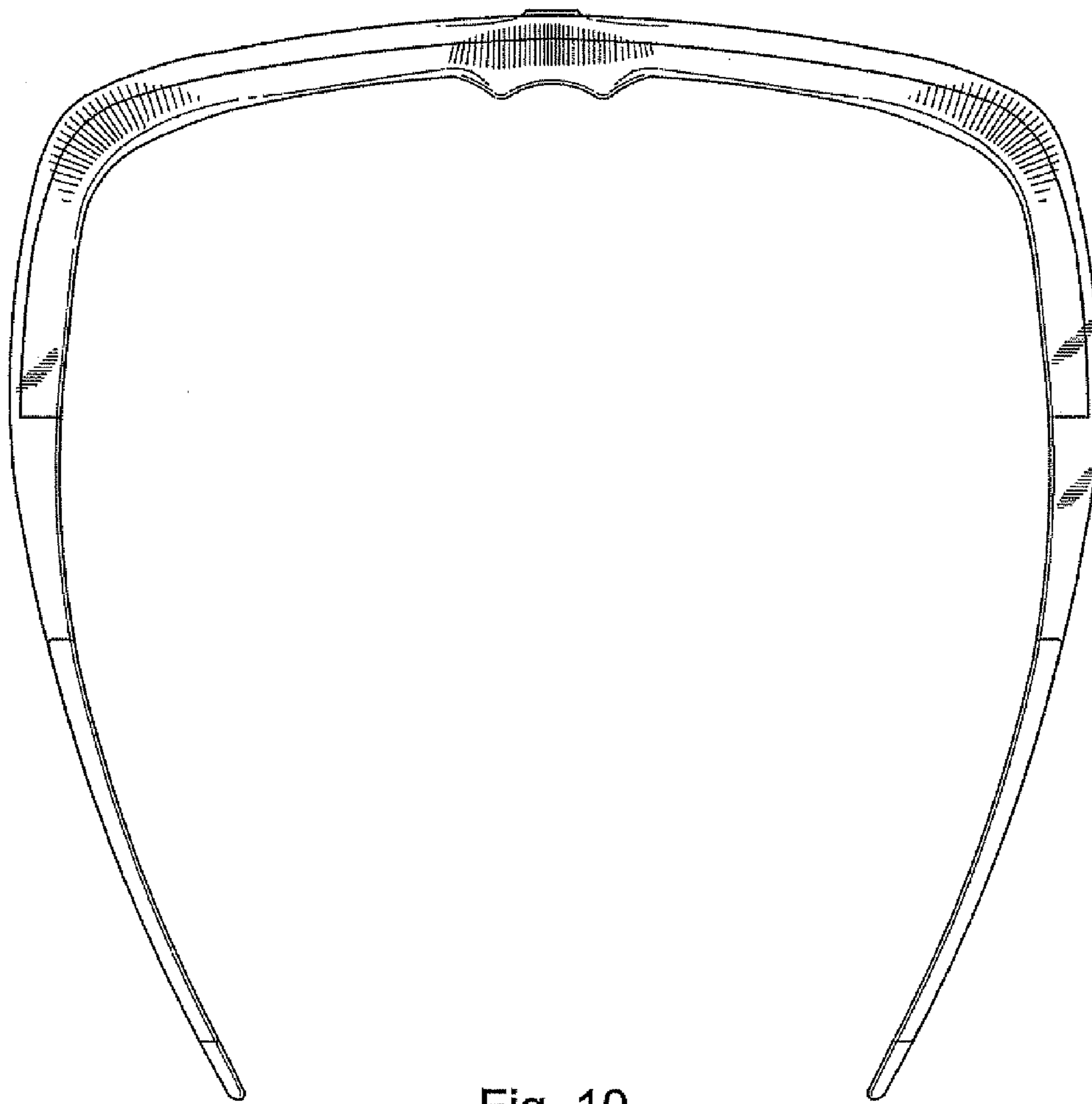
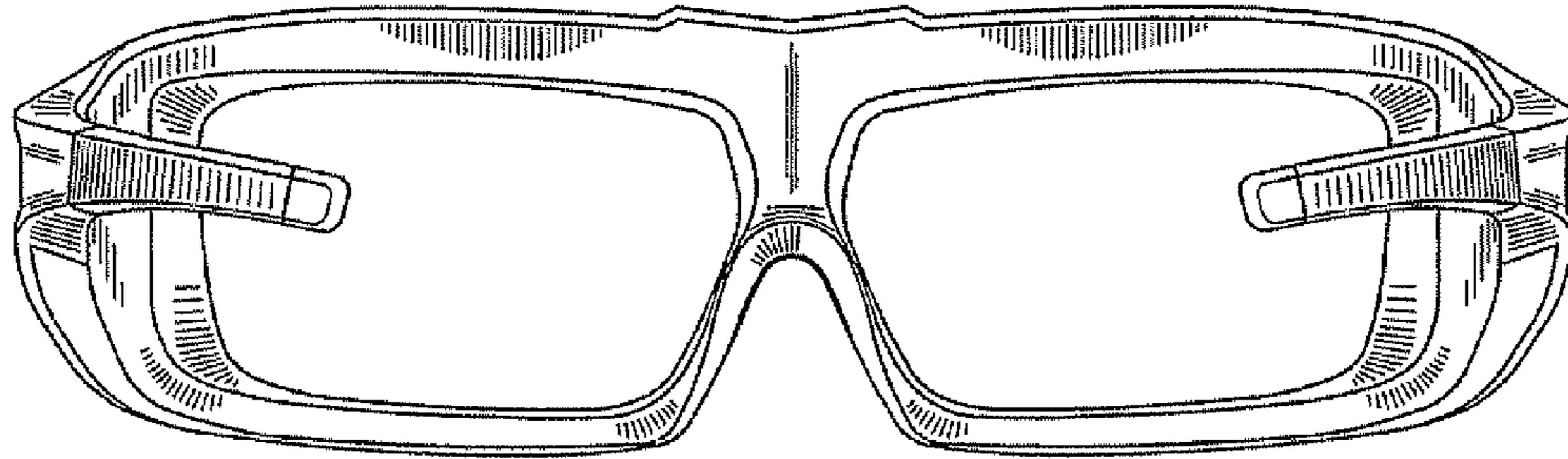


Fig. 10

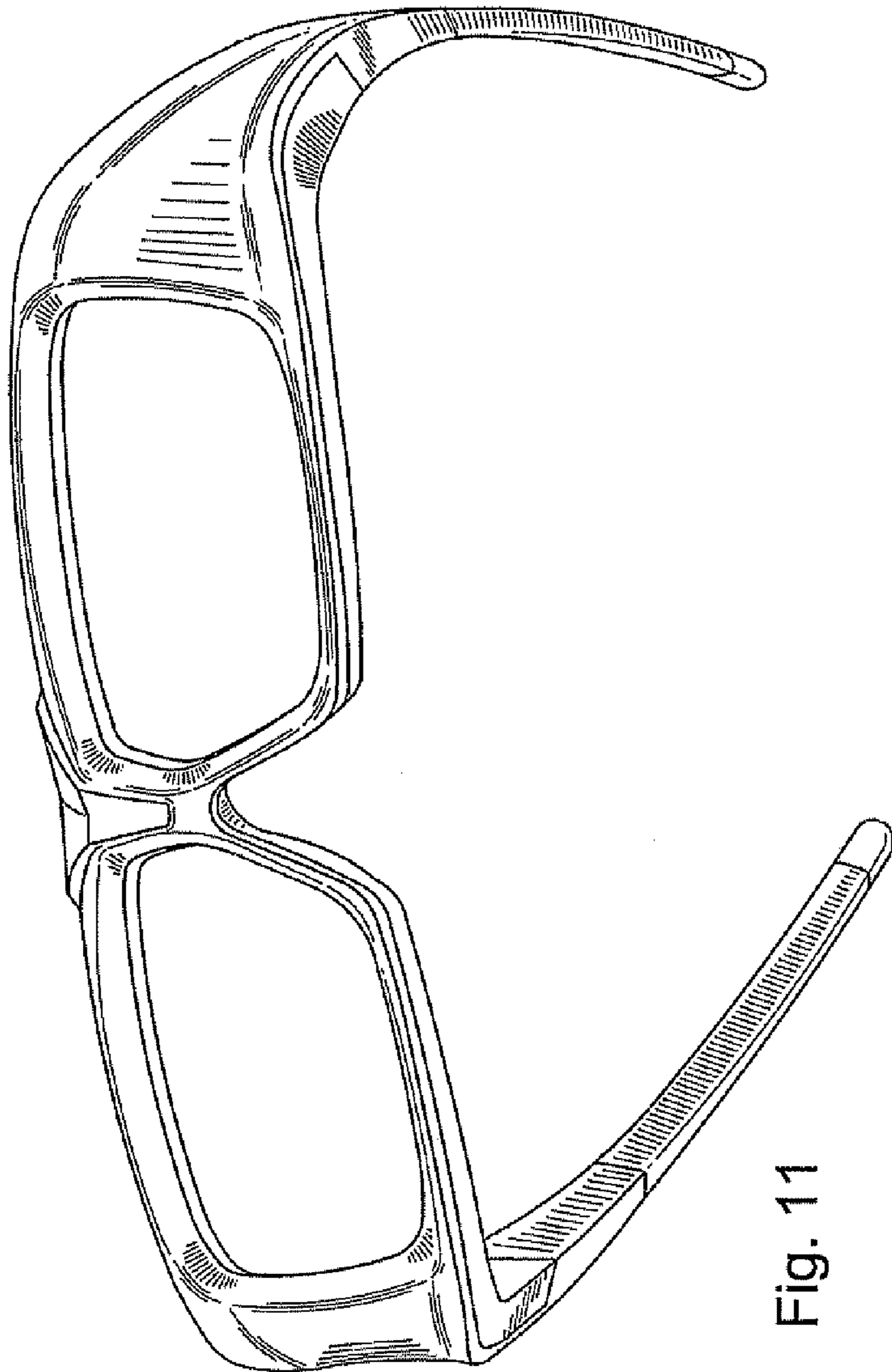


Fig. 11

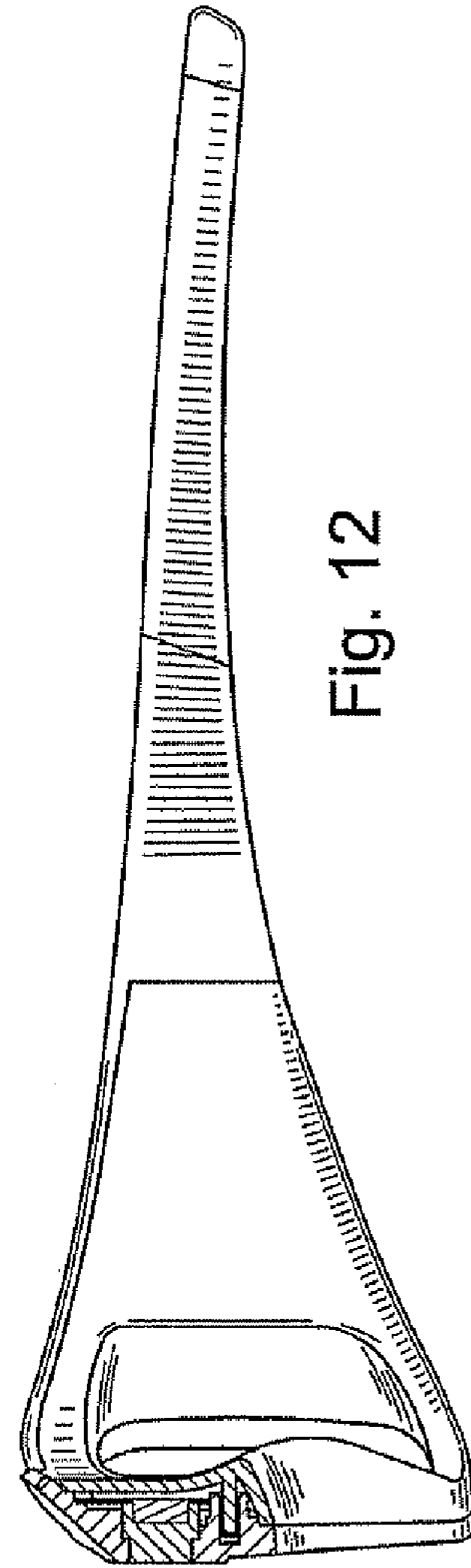


Fig. 12