



US00D624950S

(12) **United States Design Patent**
Hall, Jr.

(10) **Patent No.:** **US D624,950 S**

(45) **Date of Patent:** **** Oct. 5, 2010**

(54) **CAMERA WEATHER SHIELD**

5,950,017 A * 9/1999 Reff 396/544
D447,760 S * 9/2001 Lantz D16/237

(76) Inventor: **Jimmy Franklin Hall, Jr.**, 1975 Ozark Trail, Goodman, MO (US) 64843

* cited by examiner

(**) Term: **14 Years**

Primary Examiner—Adir Aronovich
(74) *Attorney, Agent, or Firm*—Richard L. Mikesell

(21) Appl. No.: **29/312,737**

(57) **CLAIM**

(22) Filed: **Nov. 12, 2008**

The ornamental design for a camera weather shield, as shown and described.

(51) **LOC (9) Cl.** **16-05**

(52) **U.S. Cl.** **D16/237**

(58) **Field of Classification Search** D16/208,
D16/219, 237; 206/316.1, 316.2; 396/25,
396/27, 544

DESCRIPTION

See application file for complete search history.

FIG. 1 is a top, front and right side perspective view of a camera weather shield showing my new design;
FIG. 2 is a top, rear and left side perspective view thereof; and,
FIG. 3 is a bottom plan view thereof.

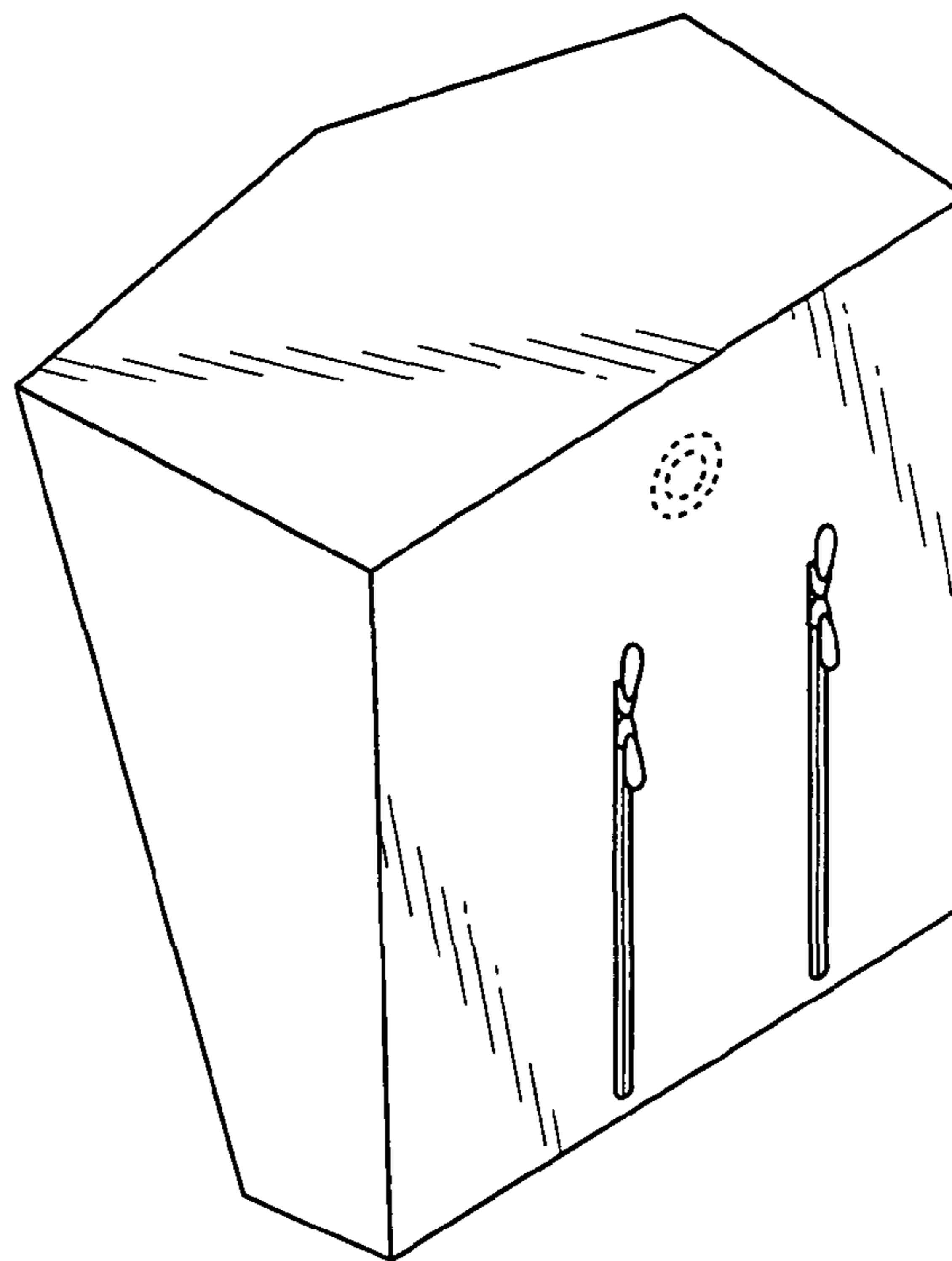
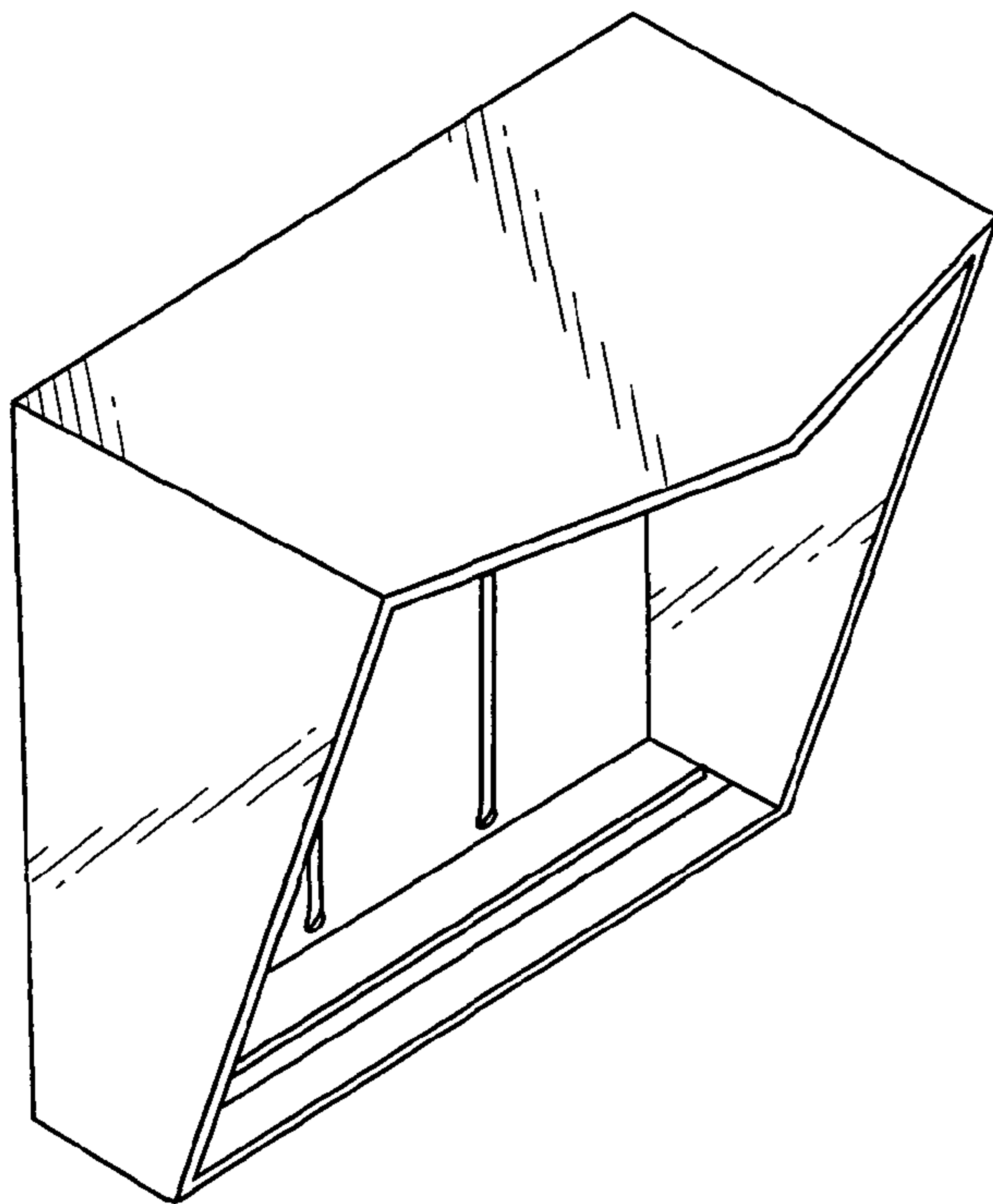
(56) **References Cited**

U.S. PATENT DOCUMENTS

1,307,598 A * 6/1919 Phillips 396/544
4,176,701 A * 12/1979 Welgan 206/316.2
5,073,789 A * 12/1991 Mumpower 396/544
5,456,277 A * 10/1995 Pontius, Jr. 396/27

The portions of the camera weather shield in broken lines are shown for illustrative purposes only and form no part of the claimed design.

1 Claim, 1 Drawing Sheet



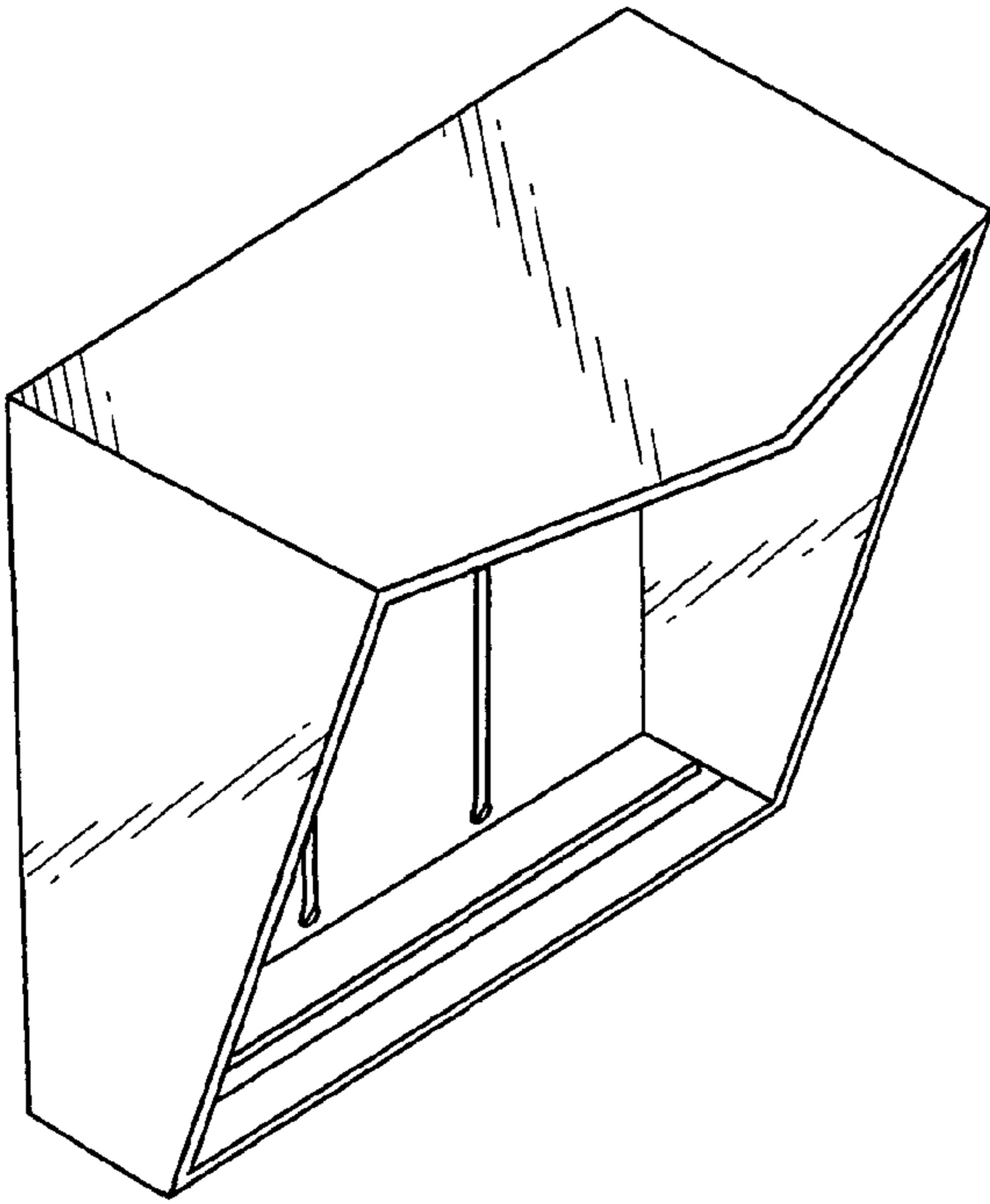


Fig. 1

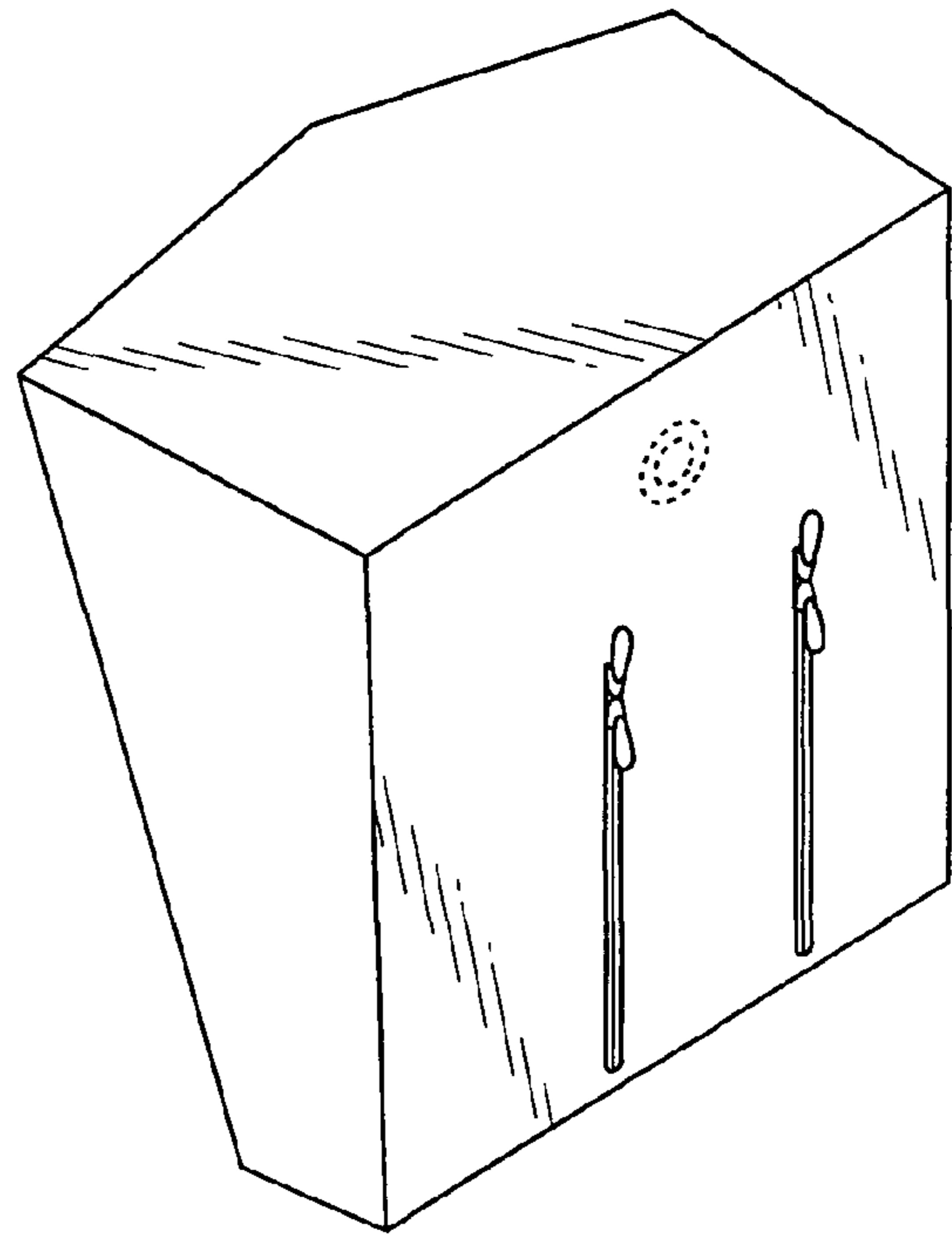


Fig. 2

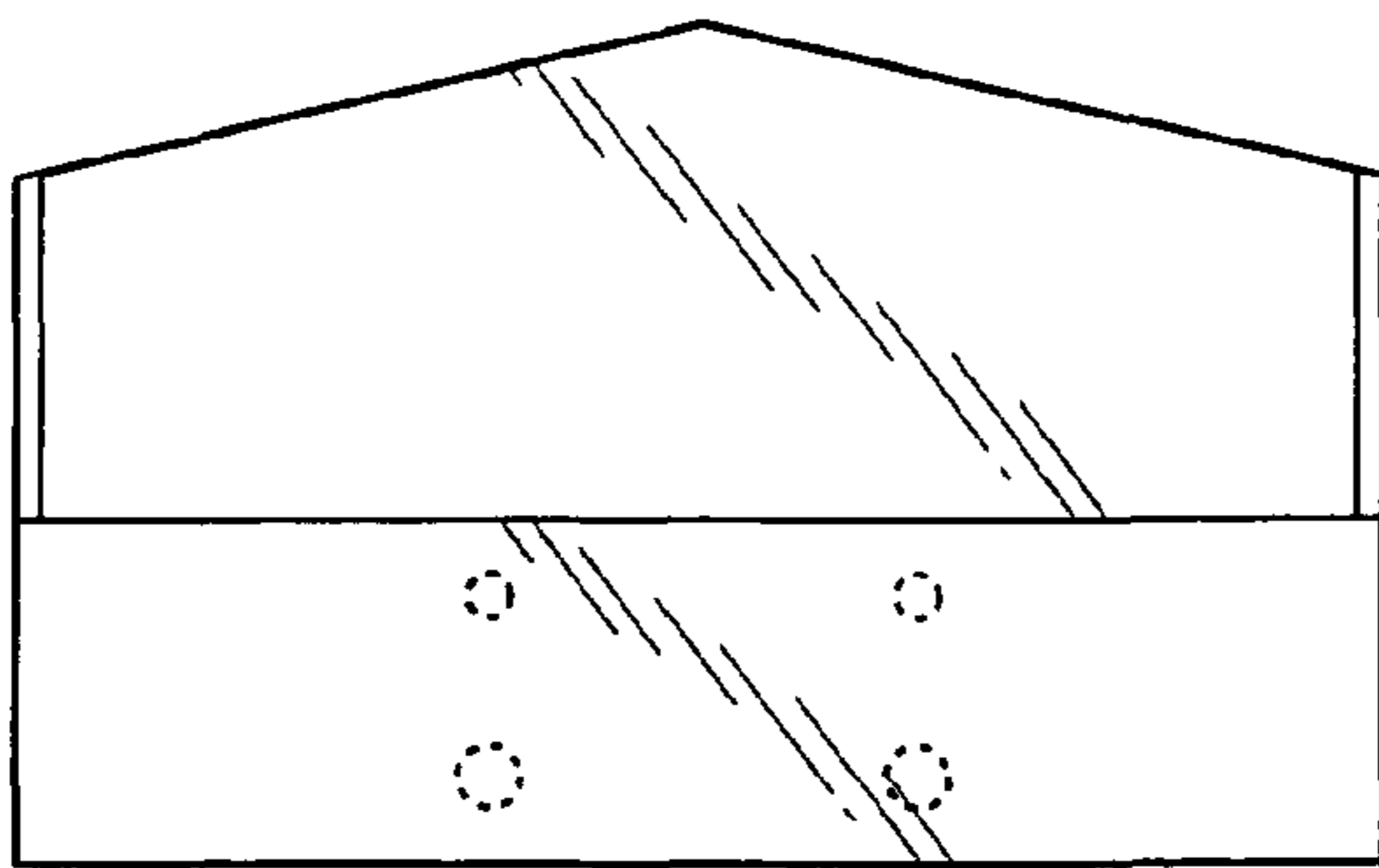


Fig. 3