



US00D624949S

(12) **United States Design Patent**
Nakayama et al.

(10) **Patent No.:** **US D624,949 S**

(45) **Date of Patent:** **** Oct. 5, 2010**

(54) **SUPPORT FOR PROJECTOR**

(75) Inventors: **Tetsu Nakayama**, Matsumoto (JP);
Genta Kawabe, Matsumoto (JP);
Nobuyuki Otsuki, Matsumoto (JP);
Hirohisa Nakano, Matsumoto (JP);
Naoya Nishimura, Matsumoto (JP);
Toshimitsu Watanabe, Matsumoto (JP)

(73) Assignee: **Seiko Epson Corporation**, Tokyo (JP)

(**) Term: **14 Years**

(21) Appl. No.: **29/352,509**

(22) Filed: **Dec. 22, 2009**

(30) **Foreign Application Priority Data**

Oct. 28, 2009 (JP) 2009-025206

(51) **LOC (9) Cl.** **16-02**

(52) **U.S. Cl.** **D16/235; D16/242**

(58) **Field of Classification Search** D16/235,
D16/237, 242, 245; D8/349, 354, 355, 363,
D8/373; D14/209, 224, 229, 452; 248/124.1,
248/176.1, 176.3, 185.1, 183.2, 274.1, 291.1,
248/309.1, 346.01, 346.03, 343; 352/242-243;
353/119

See application file for complete search history.

(56) **References Cited**

U.S. PATENT DOCUMENTS

D340,940 S * 11/1993 Ellenberger et al. D16/242
5,790,910 A * 8/1998 Haskin 248/181.1
D400,085 S * 10/1998 Haskin D8/363
5,960,865 A * 10/1999 Costa et al. 248/291.1

D445,819 S * 7/2001 Backs et al. D16/242
6,485,144 B1 * 11/2002 Liao 352/243
D496,367 S * 9/2004 Pfister D8/363
D534,789 S * 1/2007 Worrall et al. D8/363
D562,113 S * 2/2008 Ciungan et al. D8/363
7,448,584 B2 * 11/2008 Chen et al. 248/278.1
D598,945 S * 8/2009 Gillespie D16/235
D612,712 S * 3/2010 Rix D8/363
2007/0002289 A1 * 1/2007 Oh 353/119

FOREIGN PATENT DOCUMENTS

JP D1380643 1/2010

* cited by examiner

Primary Examiner—Ian Simmons

Assistant Examiner—Wan Laymon

(74) *Attorney, Agent, or Firm*—Olliff & Berridge, PLC

(57) **CLAIM**

The ornamental design for a support for projector, as shown and described.

DESCRIPTION

FIG. 1 is a top perspective view of a support for projector;

FIG. 2 is a bottom perspective view thereof;

FIG. 3 is a front view thereof;

FIG. 4 is a rear view thereof;

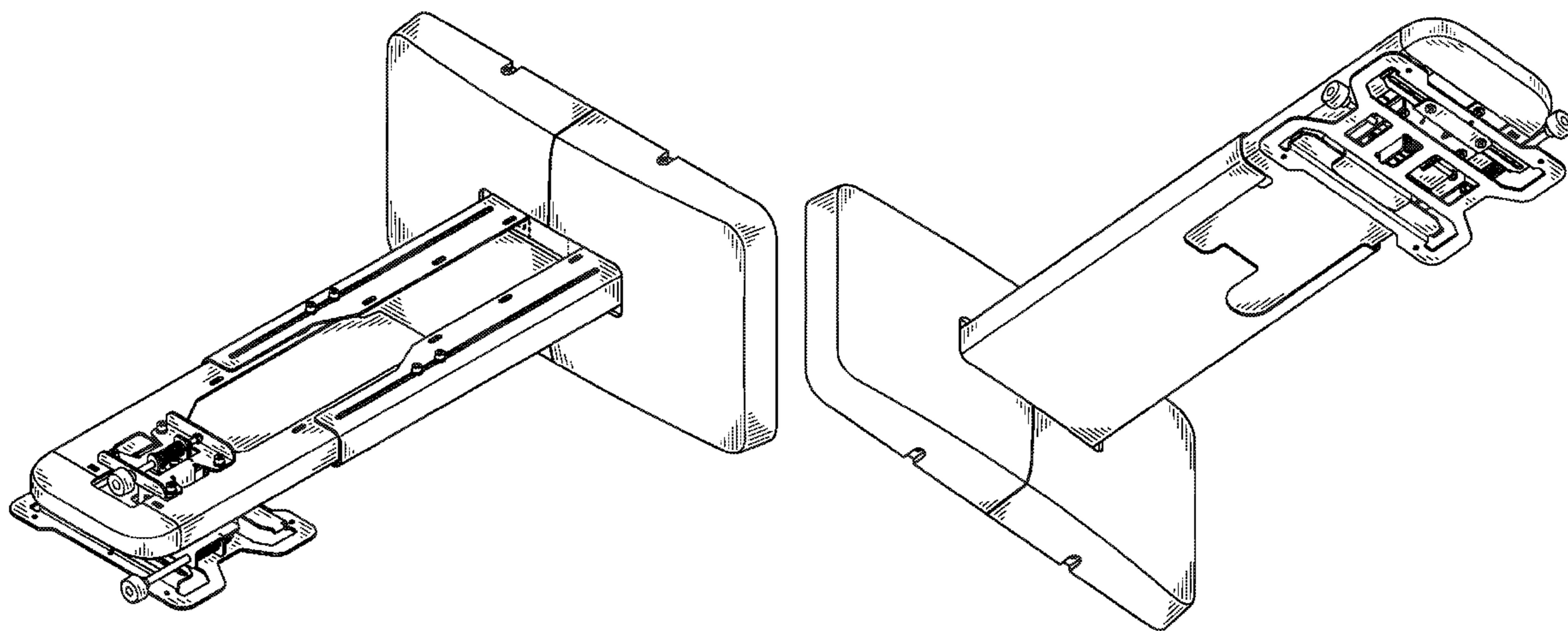
FIG. 5 is a left-side view thereof;

FIG. 6 is a right-side view thereof;

FIG. 7 is a top view thereof; and,

FIG. 8 is a bottom view thereof.

1 Claim, 5 Drawing Sheets



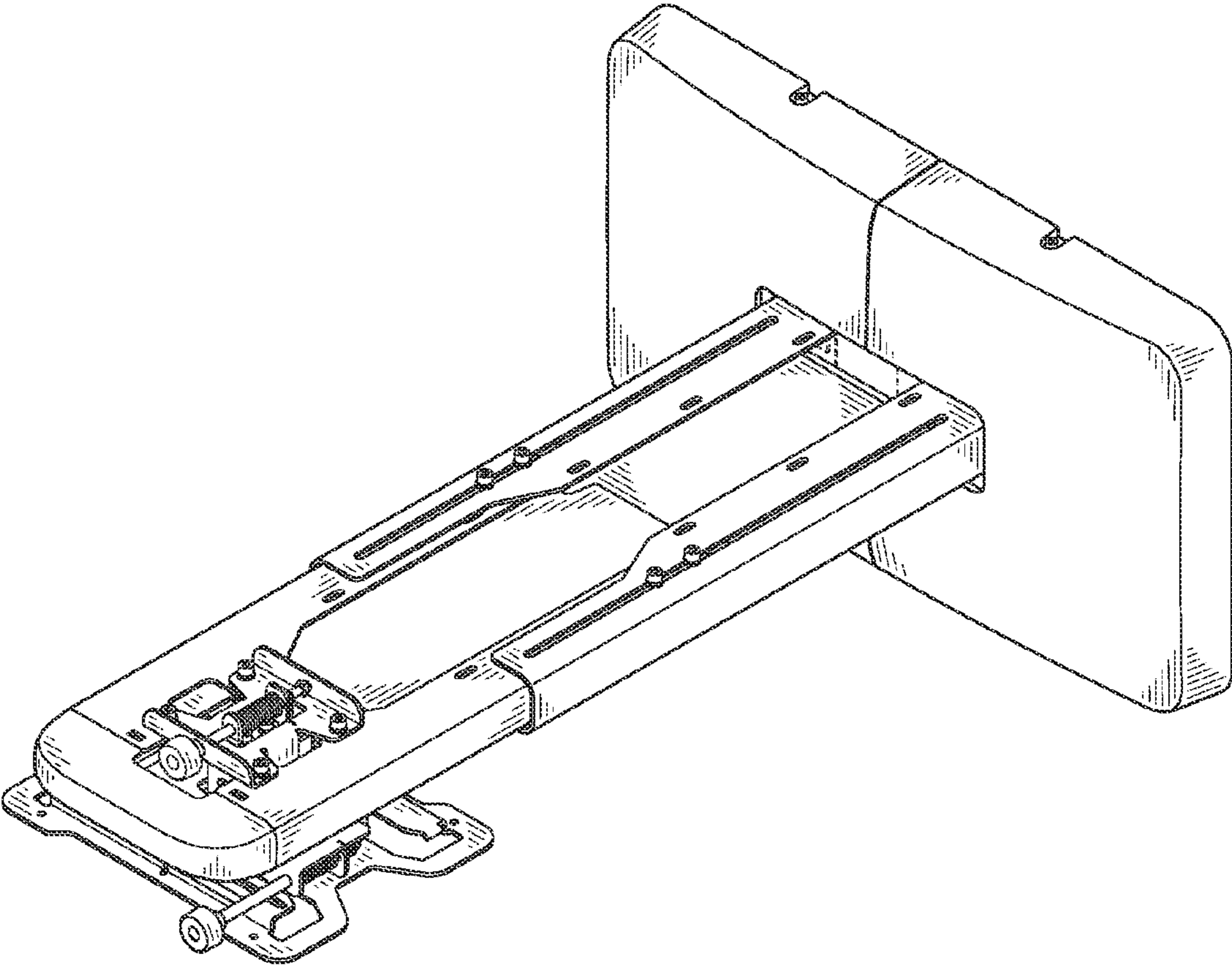


FIG. 1

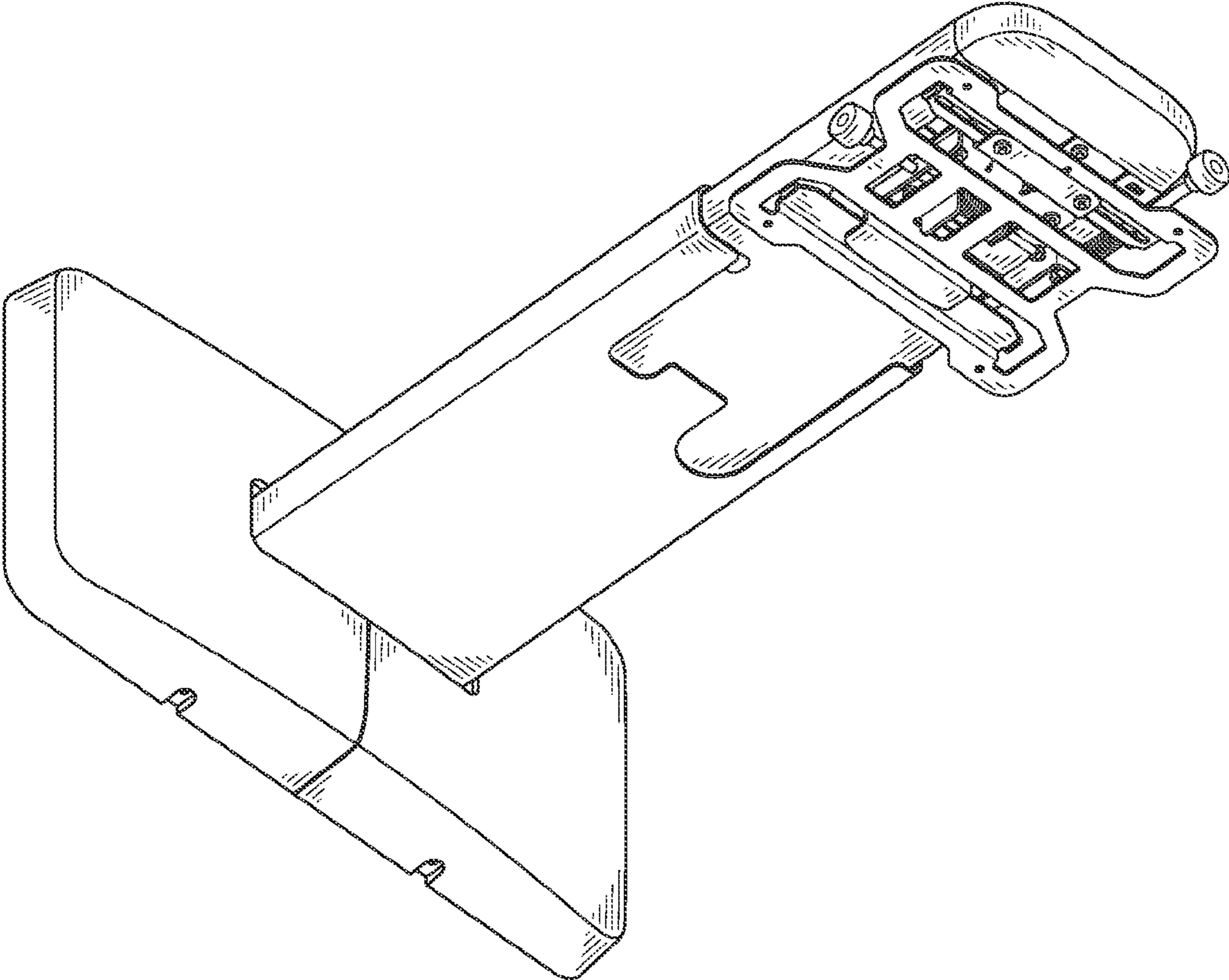


FIG. 2

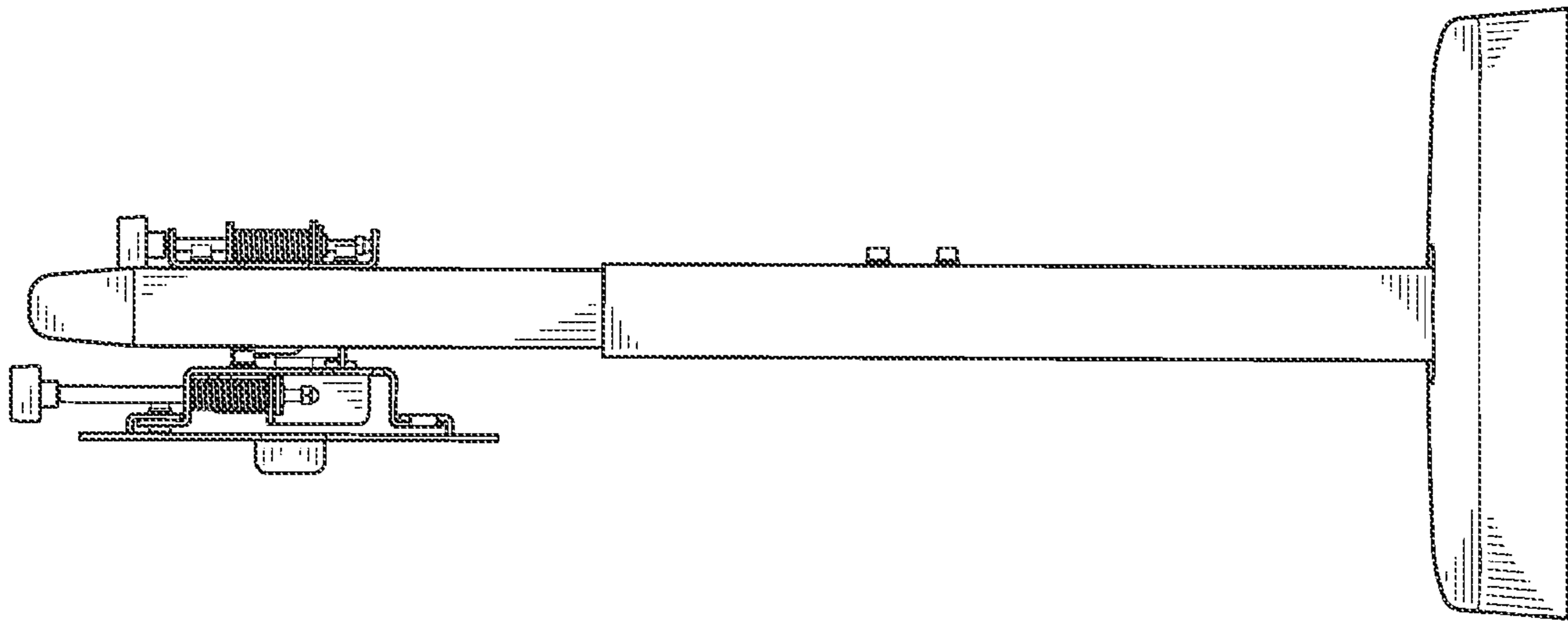


FIG. 3

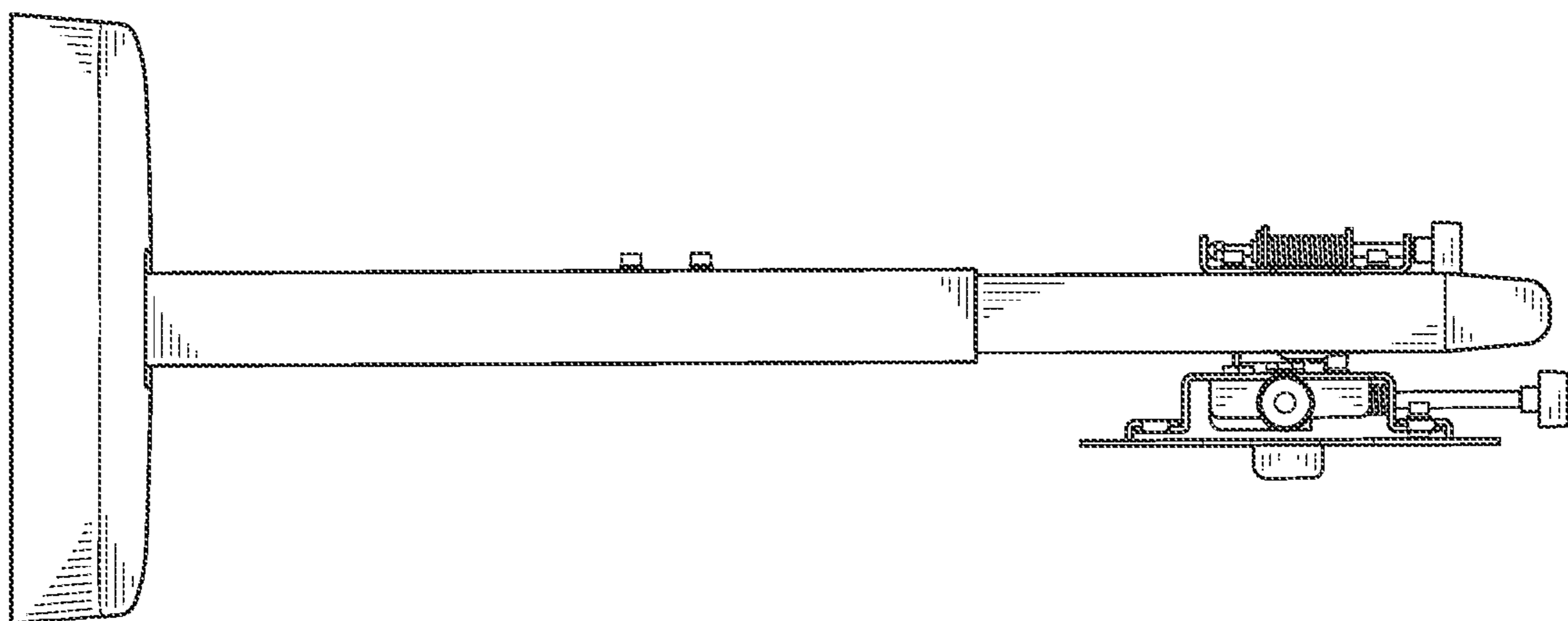


FIG. 4

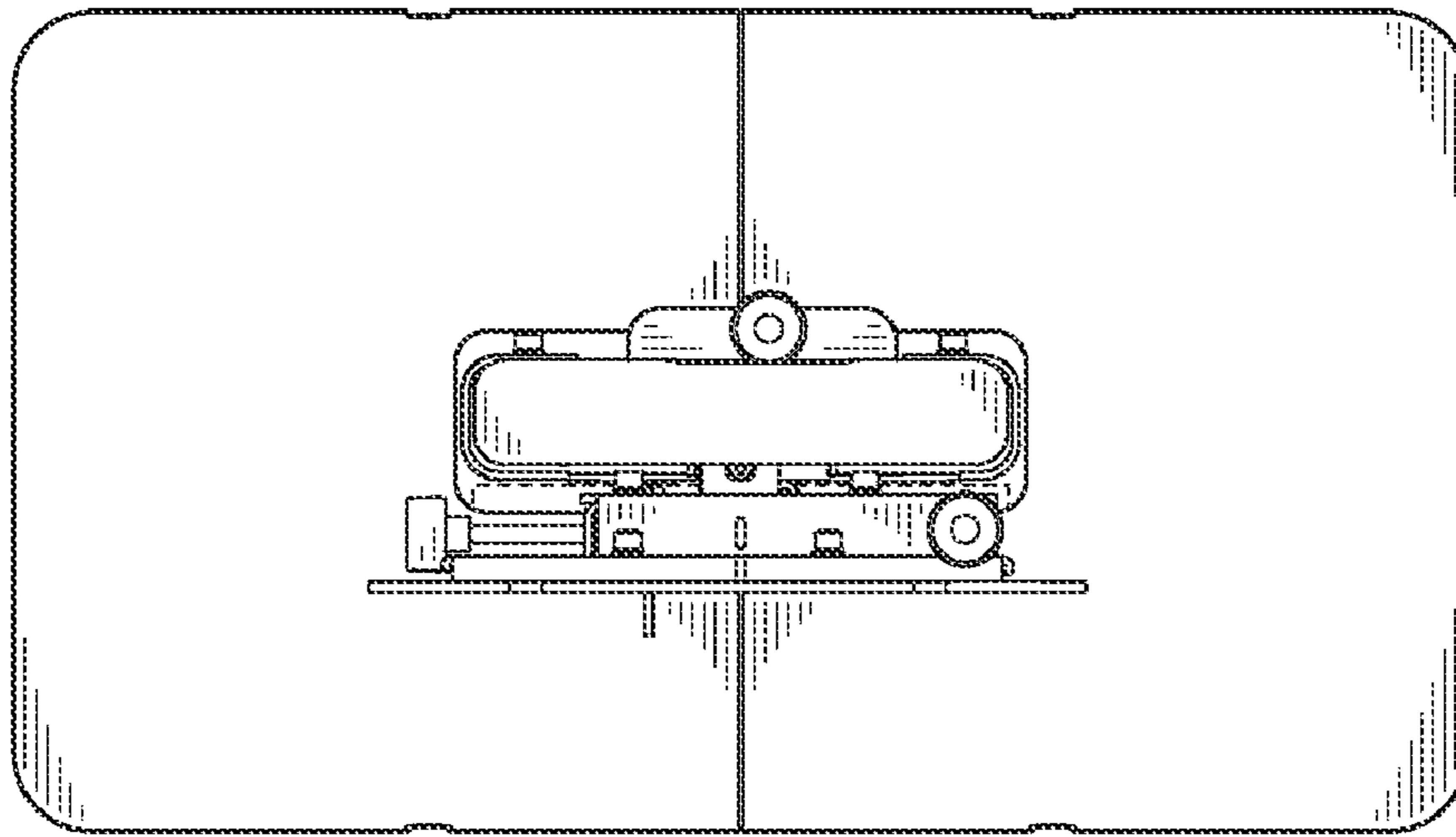


FIG. 5

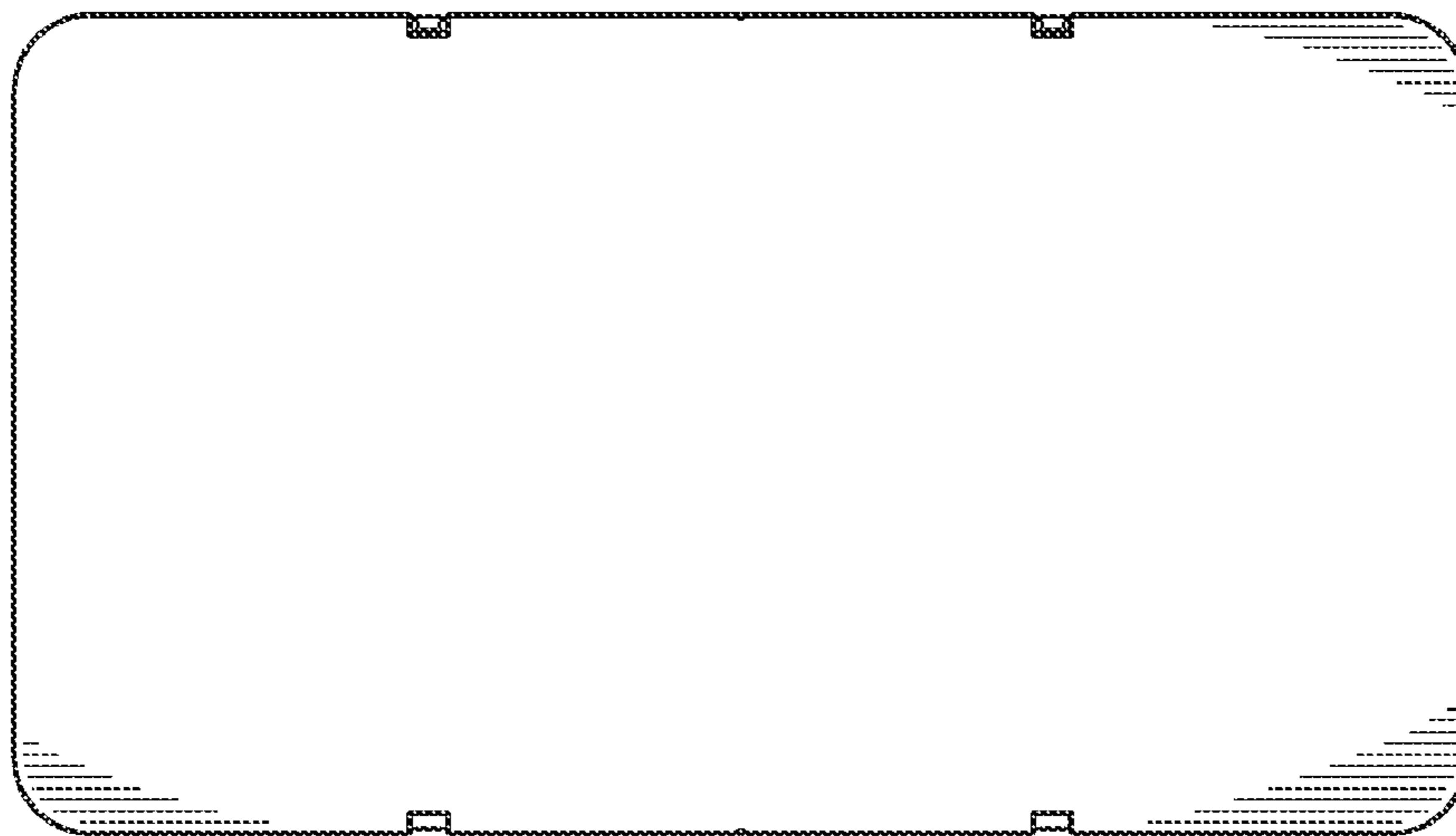


FIG. 6

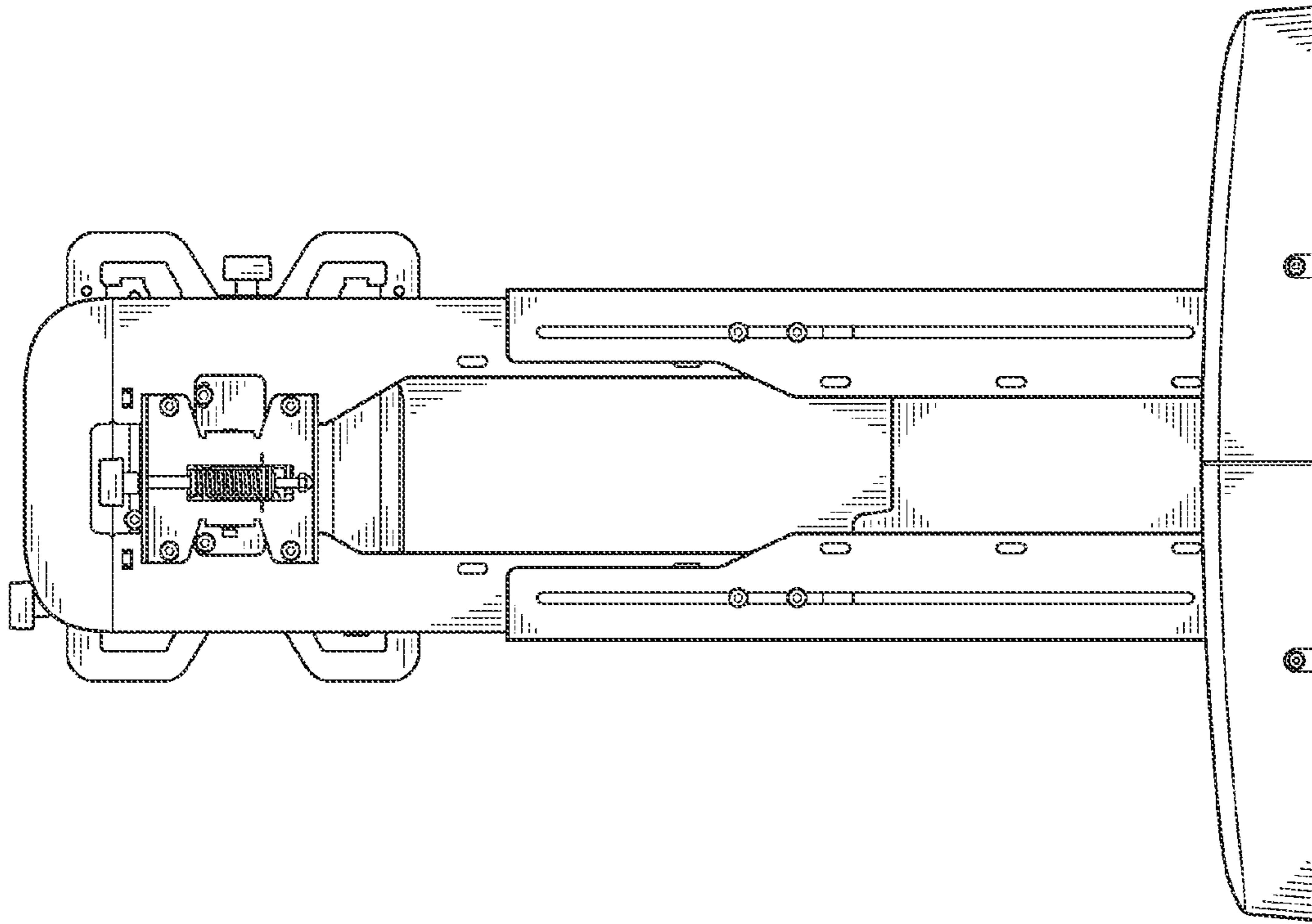


FIG. 7

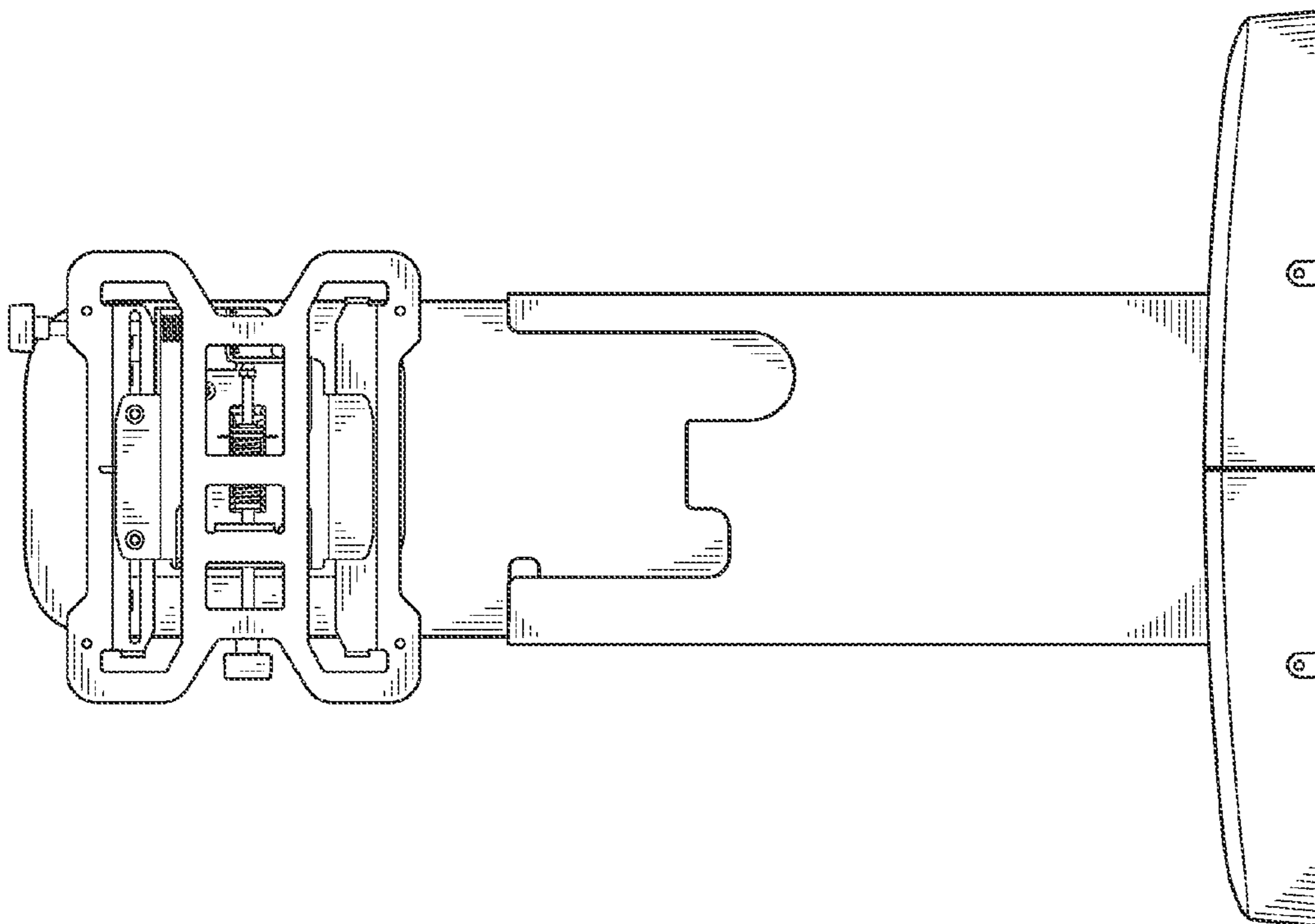


FIG. 8