



US00D624946S

(12) **United States Design Patent**  
**Hutchins**

(10) **Patent No.:** **US D624,946 S**

(45) **Date of Patent:** **\*\* Oct. 5, 2010**

(54) **WET TOOL ENCLOSURE**

(76) Inventor: **Peter W. Hutchins**, P.O. Box 62, Indian Lake, NY (US) 12842

(\*\*) Term: **14 Years**

(21) Appl. No.: **29/342,624**

(22) Filed: **Aug. 28, 2009**

**Related U.S. Application Data**

(62) Division of application No. 29/324,845, filed on Sep. 22, 2008, now Pat. No. Des. 600,257.

(51) **LOC (9) Cl.** ..... **15-09**

(52) **U.S. Cl.** ..... **D15/133**

(58) **Field of Classification Search** ..... D7/552.1, D7/554.3; D15/127, 133, 134, 199; D32/53.1; 83/98; 144/286.1, 286.5; 409/253; 451/453  
See application file for complete search history.

(56) **References Cited**

**U.S. PATENT DOCUMENTS**

1,664,431	A *	4/1928	Ringer	.....	220/4.01
1,987,409	A *	1/1935	Moore	.....	83/176
D178,424	S *	7/1956	Peters	.....	D7/552.1
4,423,568	A *	1/1984	Gould	.....	451/178
4,484,845	A *	11/1984	Pennella et al.	.....	409/134
4,779,603	A *	10/1988	Crocetti	.....	125/13.01
4,976,251	A *	12/1990	Smith	.....	125/13.01
5,404,611	A *	4/1995	Raney	.....	15/257.06
5,472,111	A	12/1995	Renfrew		
5,542,359	A *	8/1996	Polries	.....	108/26
5,577,955	A *	11/1996	Voegel	.....	451/455
5,741,175	A *	4/1998	Voegel	.....	451/455
5,855,291	A *	1/1999	Ingle	.....	220/6
5,884,681	A *	3/1999	Nickles	.....	144/329
5,897,430	A *	4/1999	Haller	.....	451/451
D435,705	S *	12/2000	Powers et al.	.....	D30/120
6,257,222	B1 *	7/2001	Kaaser	.....	125/12
D446,719	S *	8/2001	Garraway	.....	D9/425
6,557,602	B1 *	5/2003	Sorensen et al.	.....	144/286.5

6,796,890	B1 *	9/2004	Goldrick	.....	451/454
7,013,902	B2 *	3/2006	Stout et al.	.....	134/104.2
D522,059	S *	5/2006	Killinger et al.	.....	D19/92
D524,003	S	6/2006	Prokop et al.		
D543,134	S *	5/2007	Cox et al.	.....	D11/156
D563,122	S *	3/2008	Kreiss	.....	D6/480
D586,516	S *	2/2009	Moon	.....	D32/53.1
7,484,637	B2	2/2009	Cutler et al.		
2002/0124694	A1 *	9/2002	Vandiver	.....	82/52
2004/0154648	A1 *	8/2004	Stout et al.	.....	134/25.4
2008/0295820	A1 *	12/2008	Gifford et al.	.....	125/13.01
2008/0295821	A1 *	12/2008	Gifford et al.	.....	125/14

**OTHER PUBLICATIONS**

Restriction Requirement for related U.S. Appl. No. 29/324,845, mailed on Apr. 15, 2009.

Office Action for related U.S. Appl. No. 29/324,8745, mailed Jan. 7, 2009.

\* cited by examiner

*Primary Examiner*—Sandra Snapp

*Assistant Examiner*—Patricia Palasik

(74) *Attorney, Agent, or Firm*—Heslin Rothenberg Farley & Mesiti P.C.

(57) **CLAIM**

The ornamental design for a wet tool enclosure, as shown and described.

**DESCRIPTION**

FIG. 1 is a front perspective view of a wet tool enclosure comprising the new design;

FIG. 2 is a front elevation view thereof;

FIG. 3 is a rear elevation view thereof;

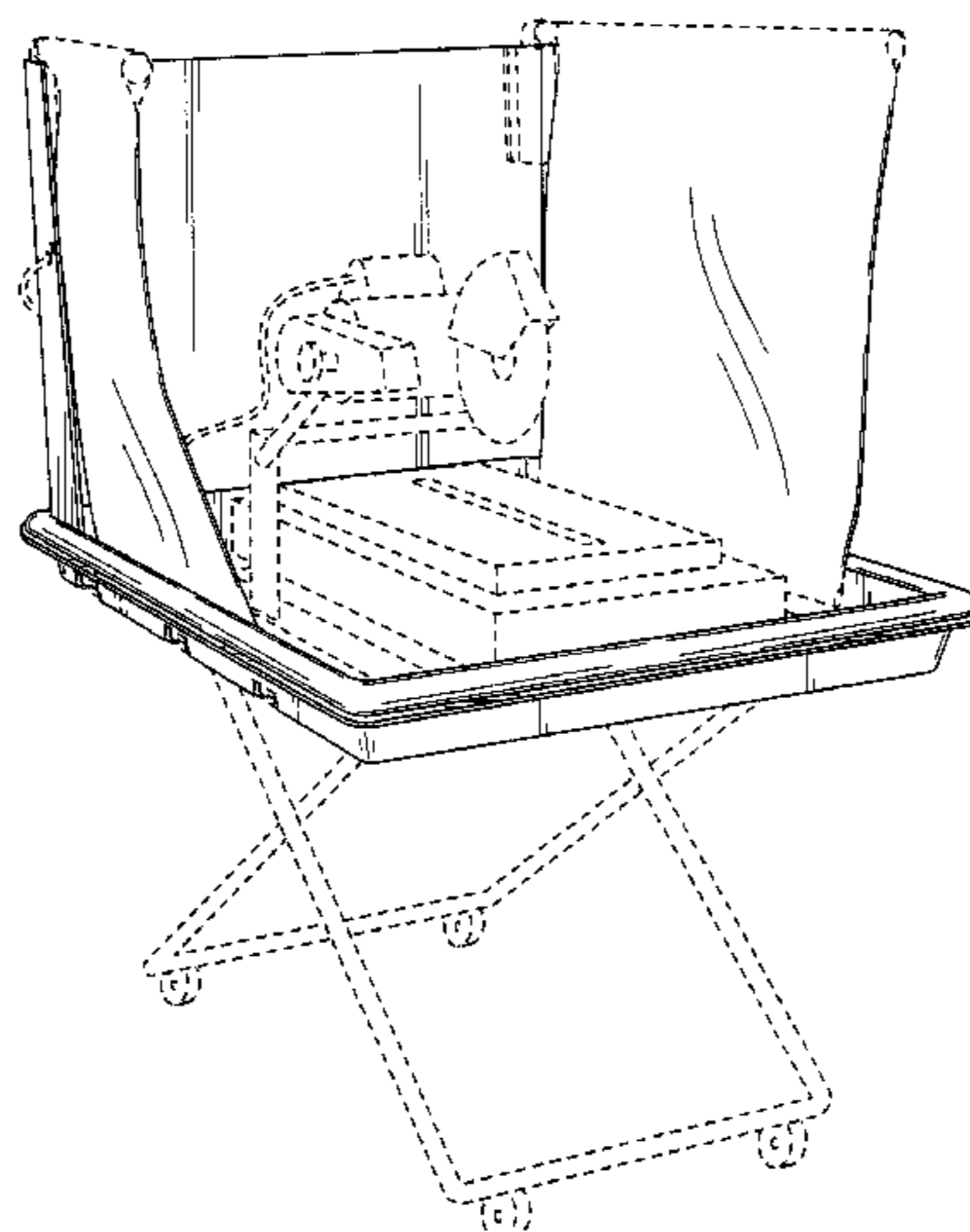
FIG. 4 is a left side elevation view thereof;

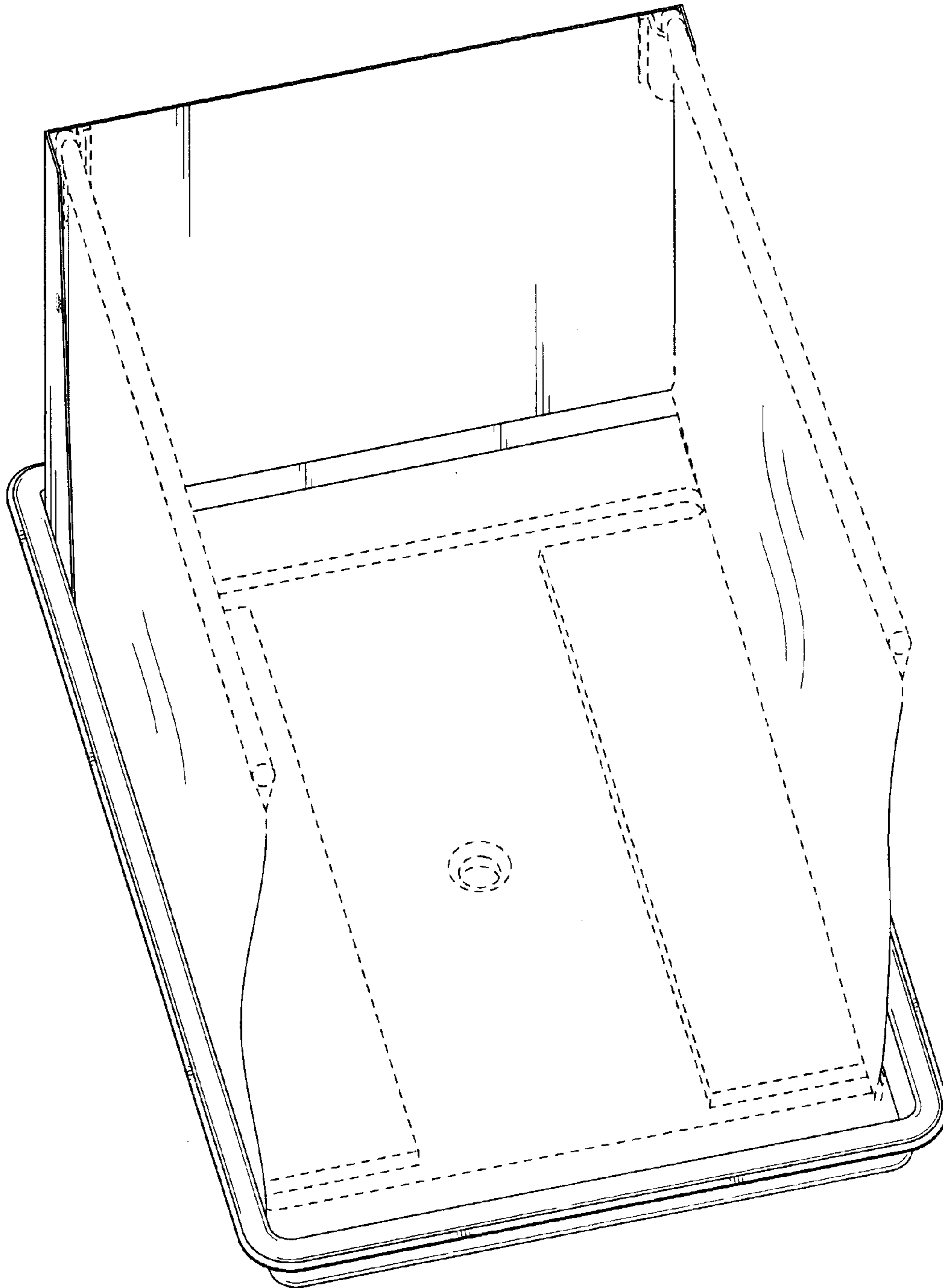
FIG. 5 is a top view thereof; and,

FIG. 6 is a front perspective view of the new design.

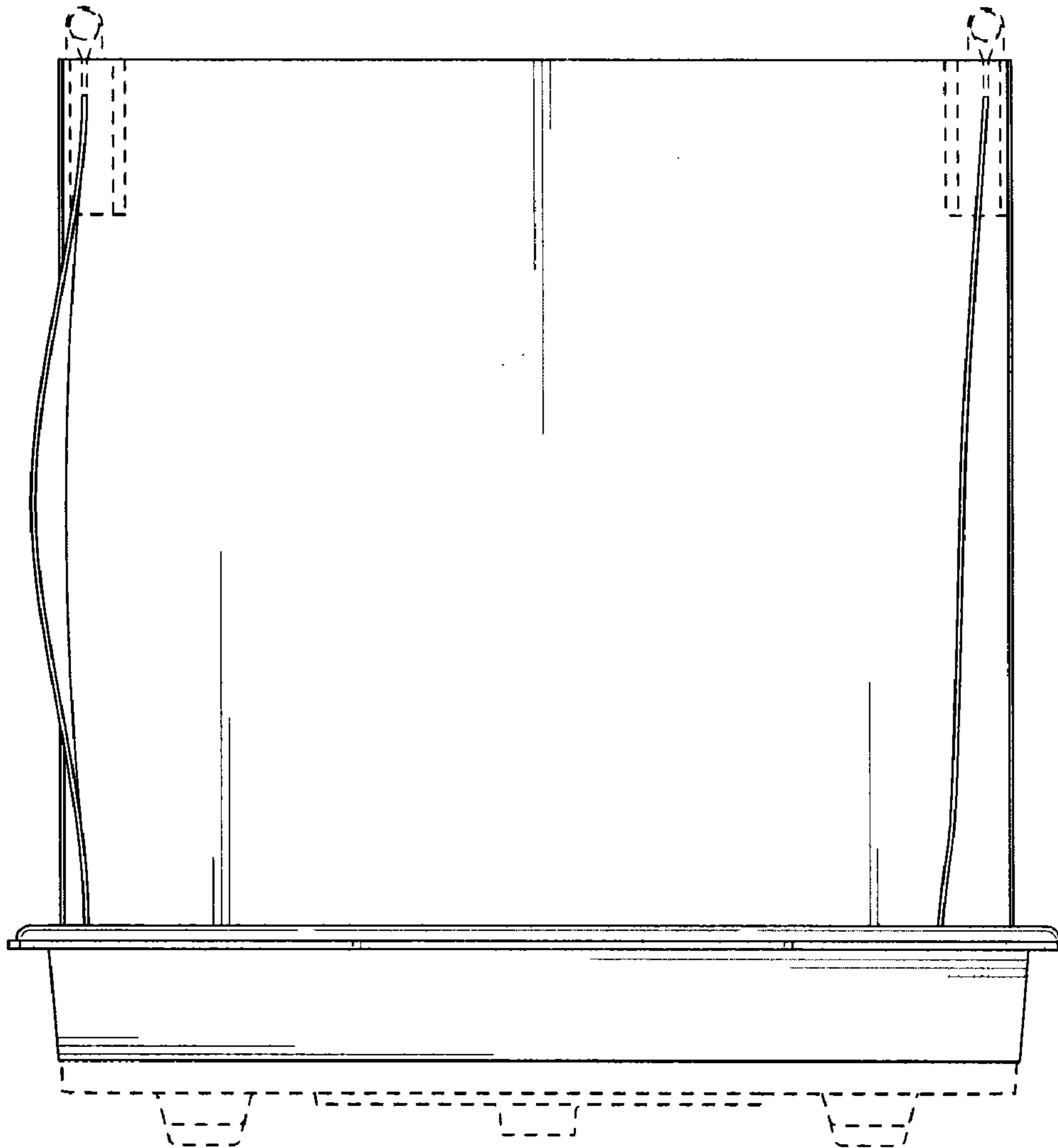
The broken lines in the drawings depict unclaimed environmental subject matter.

**1 Claim, 6 Drawing Sheets**

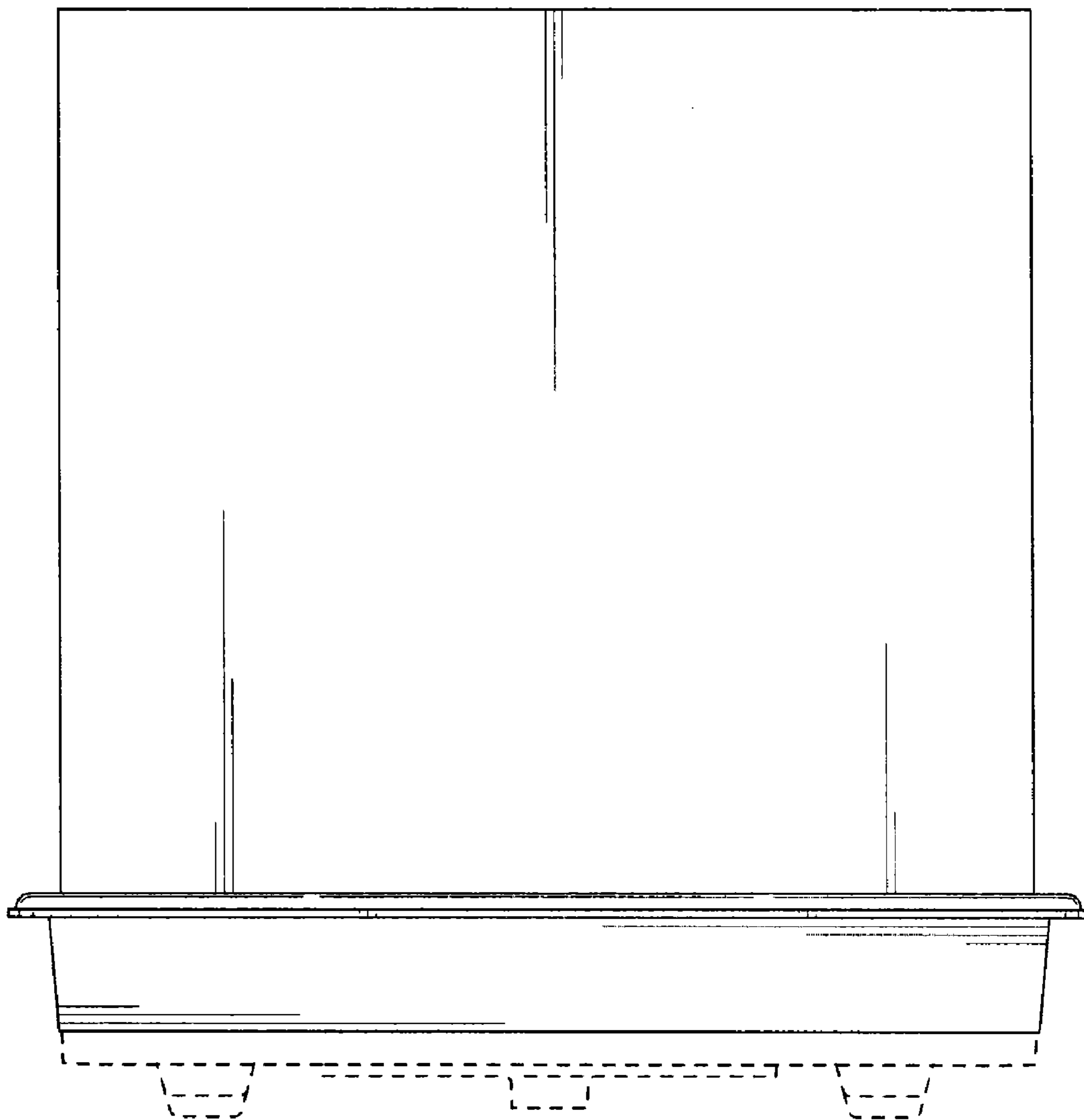




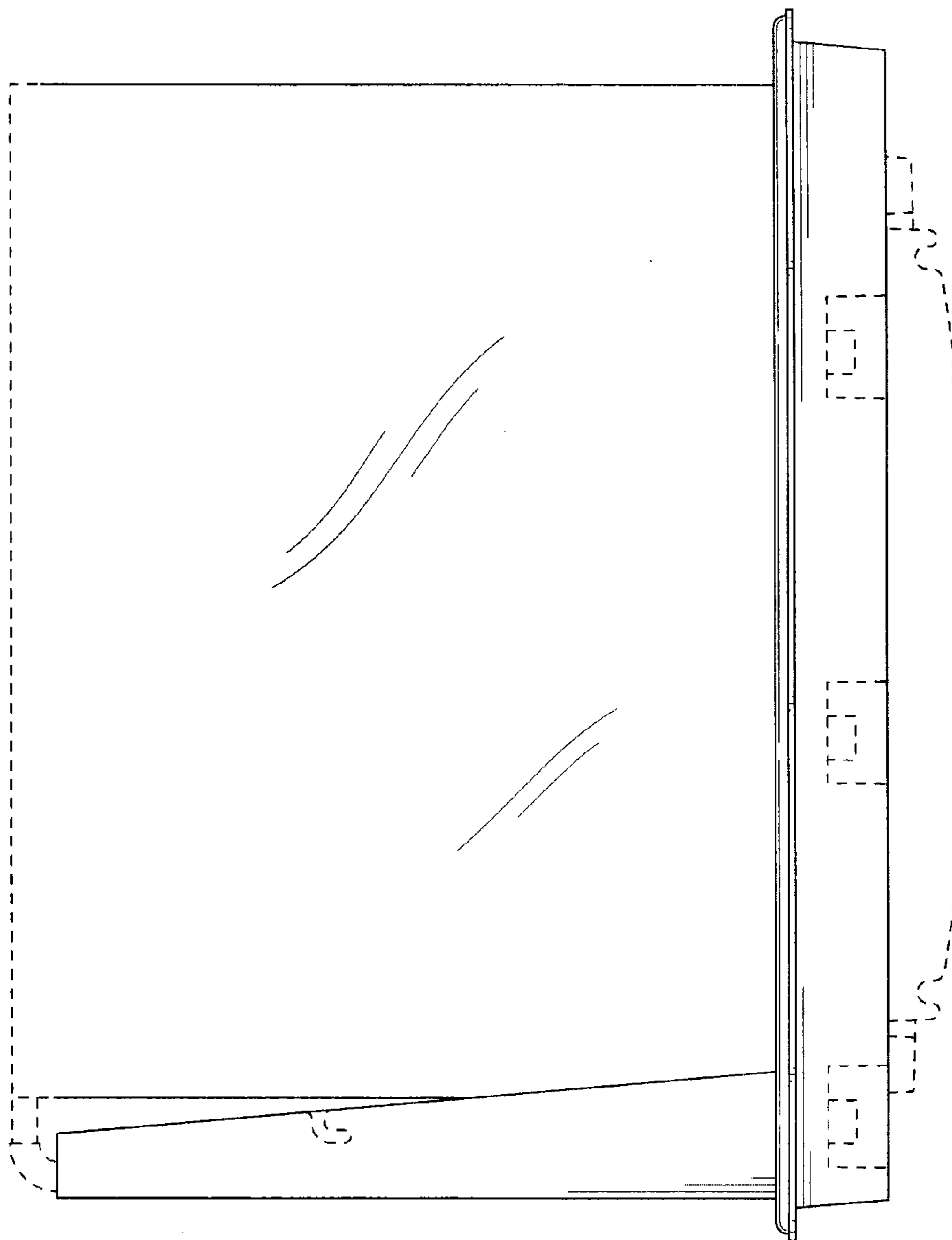
**FIG. 1**



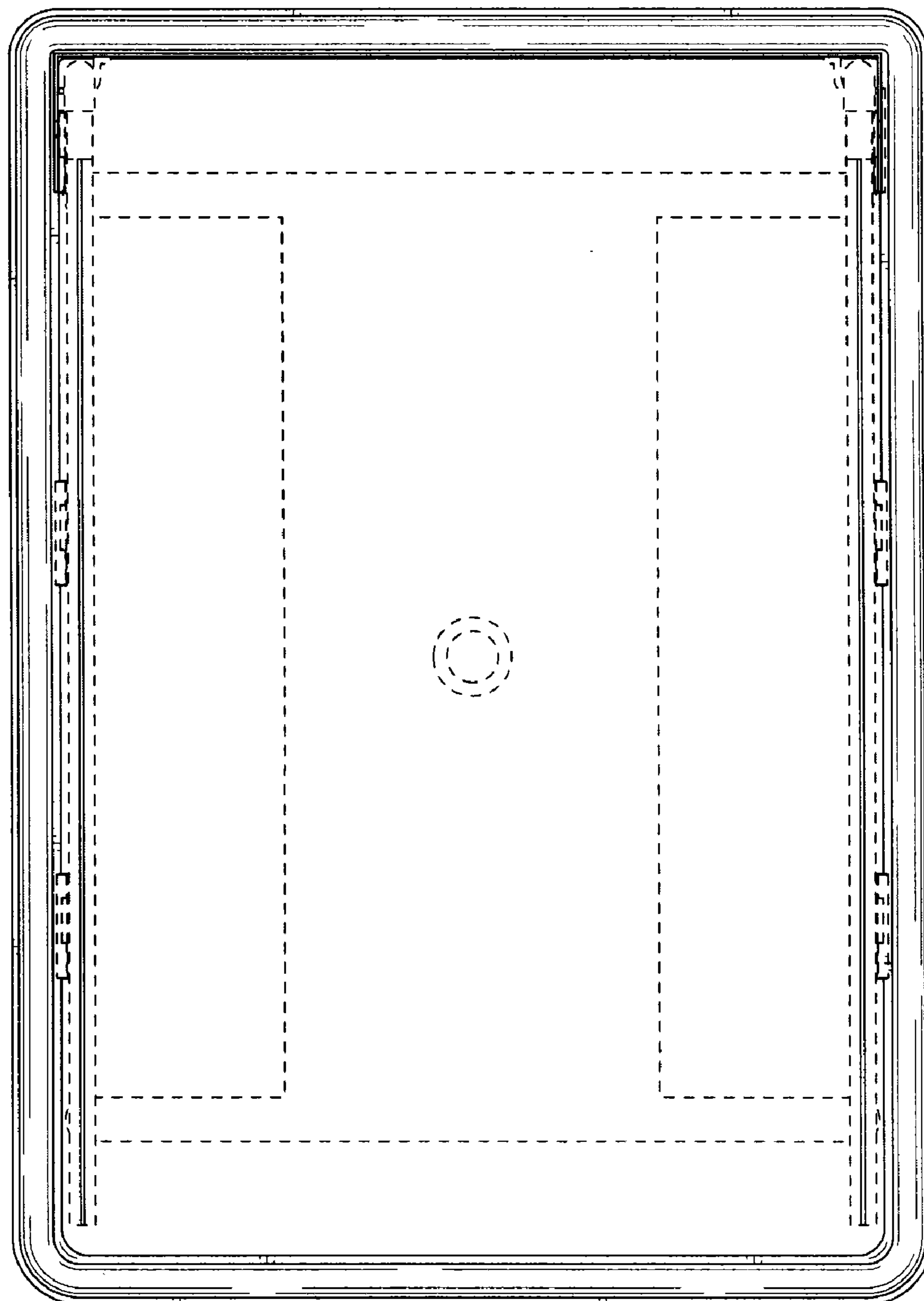
**FIG. 2**



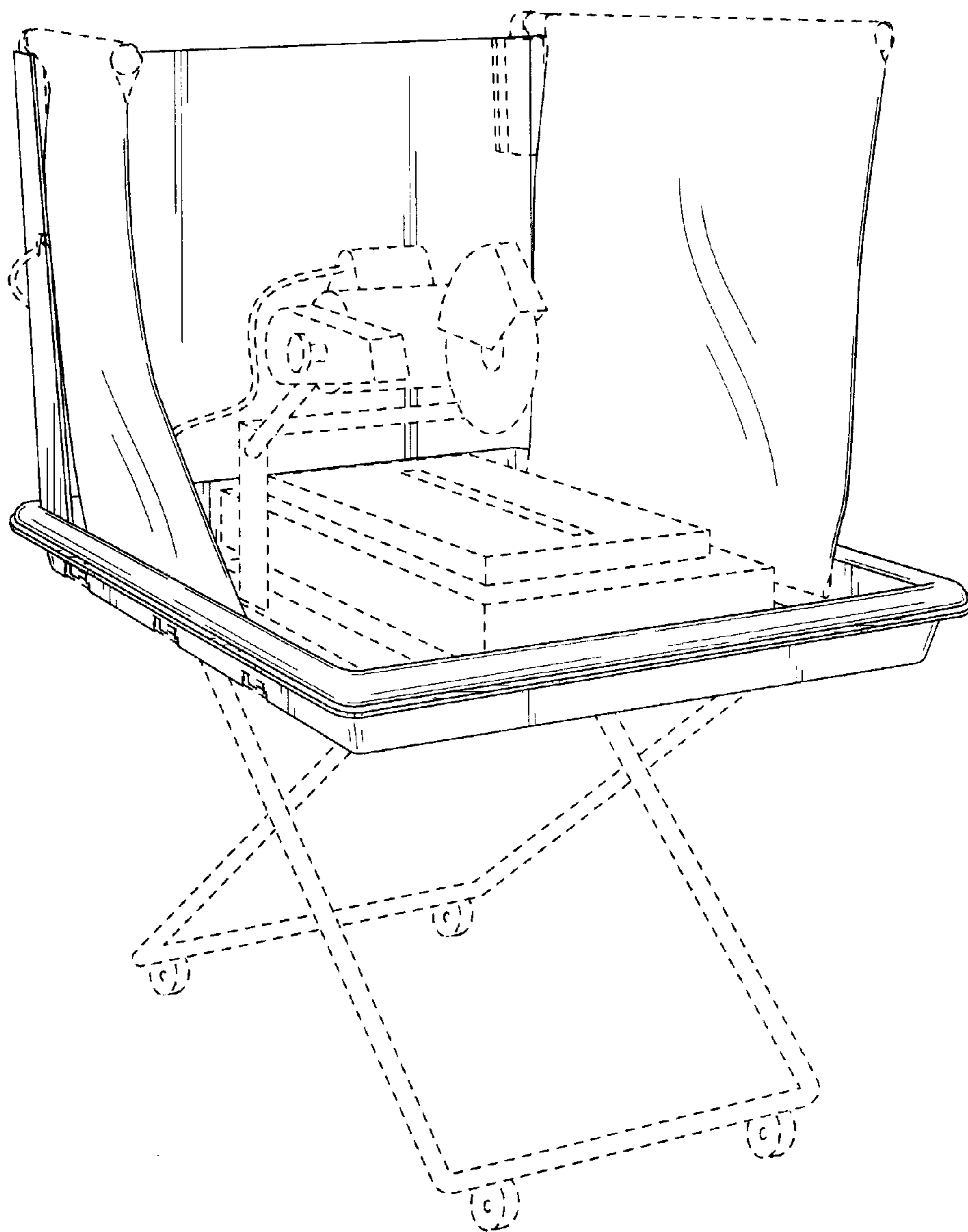
**FIG. 3**



**FIG. 4**



**FIG. 5**



**FIG. 6**