



US00D624944S

(12) **United States Design Patent**  
**Major**

(10) **Patent No.:** **US D624,944 S**

(45) **Date of Patent:** **\*\* Oct. 5, 2010**

(54) **BONNET**

(75) Inventor: **Gary Edmund Major**, Cheshire (GB)

(73) Assignee: **J. C. Bamford Excavators Limited**,  
Rocester, Utttoxeter (GB)

(\*\*) Term: **14 Years**

(21) Appl. No.: **29/357,784**

(22) Filed: **Mar. 17, 2010**

(30) **Foreign Application Priority Data**

Sep. 17, 2009 (EM) ..... 001612805.0002  
Feb. 23, 2010 (EM) ..... 001673385.0002

(51) **LOC (9) Cl.** ..... **15-03**

(52) **U.S. Cl.** ..... **D15/31**

(58) **Field of Classification Search** ..... D15/10,  
D15/11, 13-17, 28, 22-26, 31; D12/173;  
56/13.3, 13.4, 15.8, 15.9, 320.1; 180/89.1,  
180/89.12, 900, 69.2, 68.1, 69.1  
See application file for complete search history.

(56) **References Cited**

**U.S. PATENT DOCUMENTS**

D246,370	S	*	11/1977	Lorenz	.....	D15/31
D297,330	S	*	8/1988	Monehaie et al.	.....	D15/31
D371,372	S	*	7/1996	Westimayer et al.	.....	D15/31
D381,025	S	*	7/1997	Bataille	.....	D15/31
D383,470	S	*	9/1997	Westimayer et al.	.....	D15/31
D389,492	S	*	1/1998	Schmidt et al.	.....	D15/31
5,803,198	A	*	9/1998	Baxter et al.	.....	180/69.21
D413,905	S	*	9/1999	Schmidt et al.	.....	D15/31
6,167,977	B1	*	1/2001	Adamson et al.	.....	180/69.2
D448,037	S	*	9/2001	Westimayer et al.	.....	D15/31
D451,106	S	*	11/2001	Crookes et al.	.....	D15/31
D458,944	S	*	6/2002	Crookes et al.	.....	D15/31
D483,383	S	*	12/2003	Crookes et al.	.....	D15/31

D488,488	S	*	4/2004	Montgomery et al.	.....	D15/31
D488,489	S	*	4/2004	Montgomery et al.	.....	D15/31
D495,344	S	*	8/2004	Farlow et al.	.....	D15/31
D495,345	S	*	8/2004	Farlow et al.	.....	D15/31
D512,079	S	*	11/2005	Farlow et al.	.....	D15/31
D512,445	S	*	12/2005	Farlow et al.	.....	D15/31
D520,527	S	*	5/2006	Crookes et al.	.....	D15/31
D554,669	S	*	11/2007	Crookes et al.	.....	D15/31
D560,693	S	*	1/2008	Moen et al.	.....	D15/31
D570,382	S	*	6/2008	Higashikawa	.....	D15/31
D586,828	S	*	2/2009	Staines et al.	.....	D15/31
D591,777	S	*	5/2009	Kokitkar et al.	.....	D15/31

\* cited by examiner

*Primary Examiner*—Mark A Goodwin

(74) *Attorney, Agent, or Firm*—Goodman, Allen & Filetti  
PLLC

(57) **CLAIM**

The ornamental design for a bonnet, as shown and described.

**DESCRIPTION**

FIG. 1 is a left front perspective view of a bonnet showing my new design in use condition.

FIG. 2 is an enlarged left front perspective view thereof.

FIG. 3 is a front elevational view of thereof.

FIG. 4 is a right side elevational view thereof.

FIG. 5 is a rear prespective view thereof.

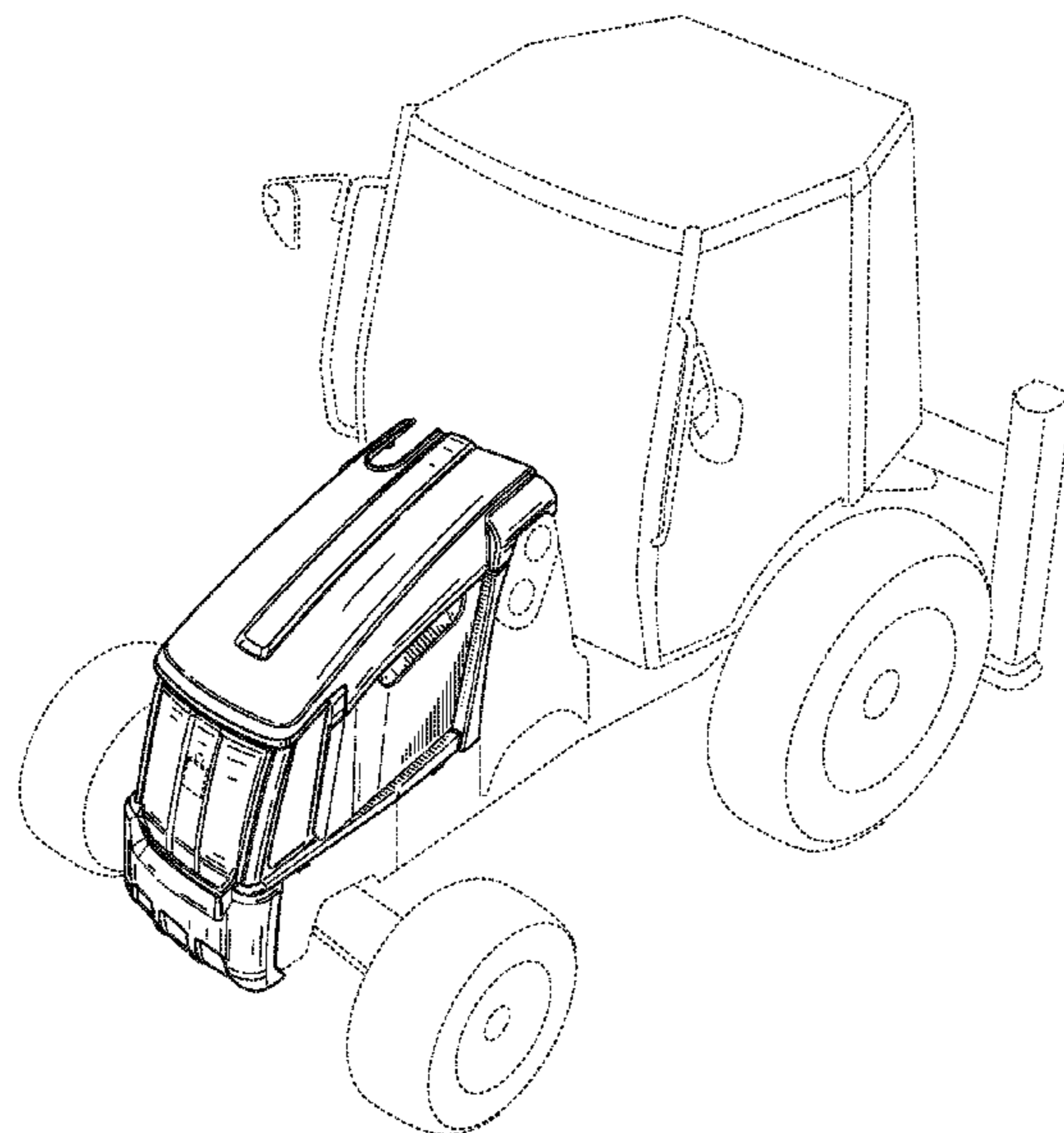
FIG. 6 is a left side elevational view thereof; and,

FIG. 7 is a top plan view thereof.

The rear and bottom form no part of my claimed design.

The broken line showing of the machine in FIG. 1, emblem throughout, and the inside portion of FIG. 5, is included for the purpose of illustrating environmental structure and forms no part of the claimed design.

**1 Claim, 7 Drawing Sheets**



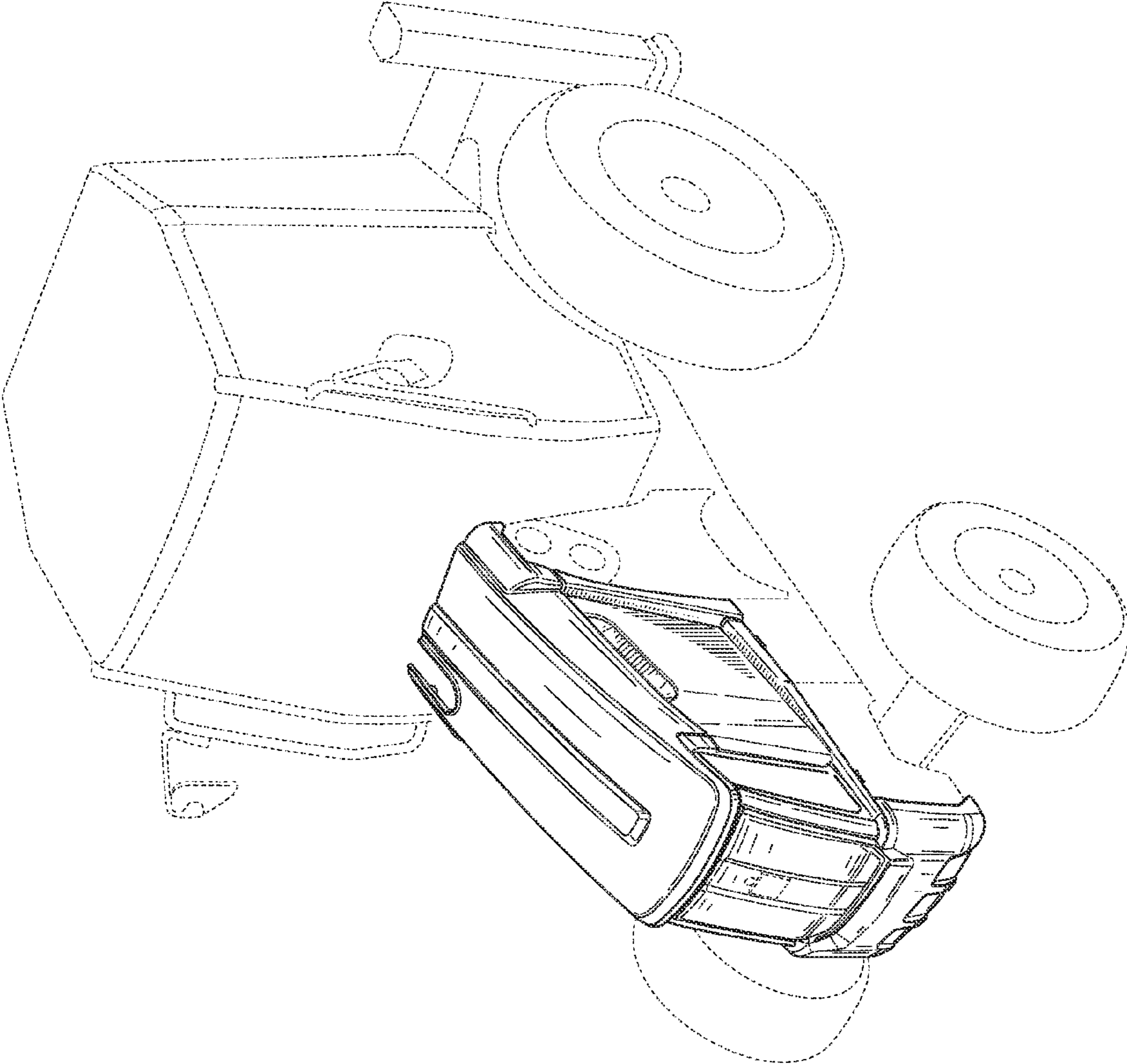


FIG. 1

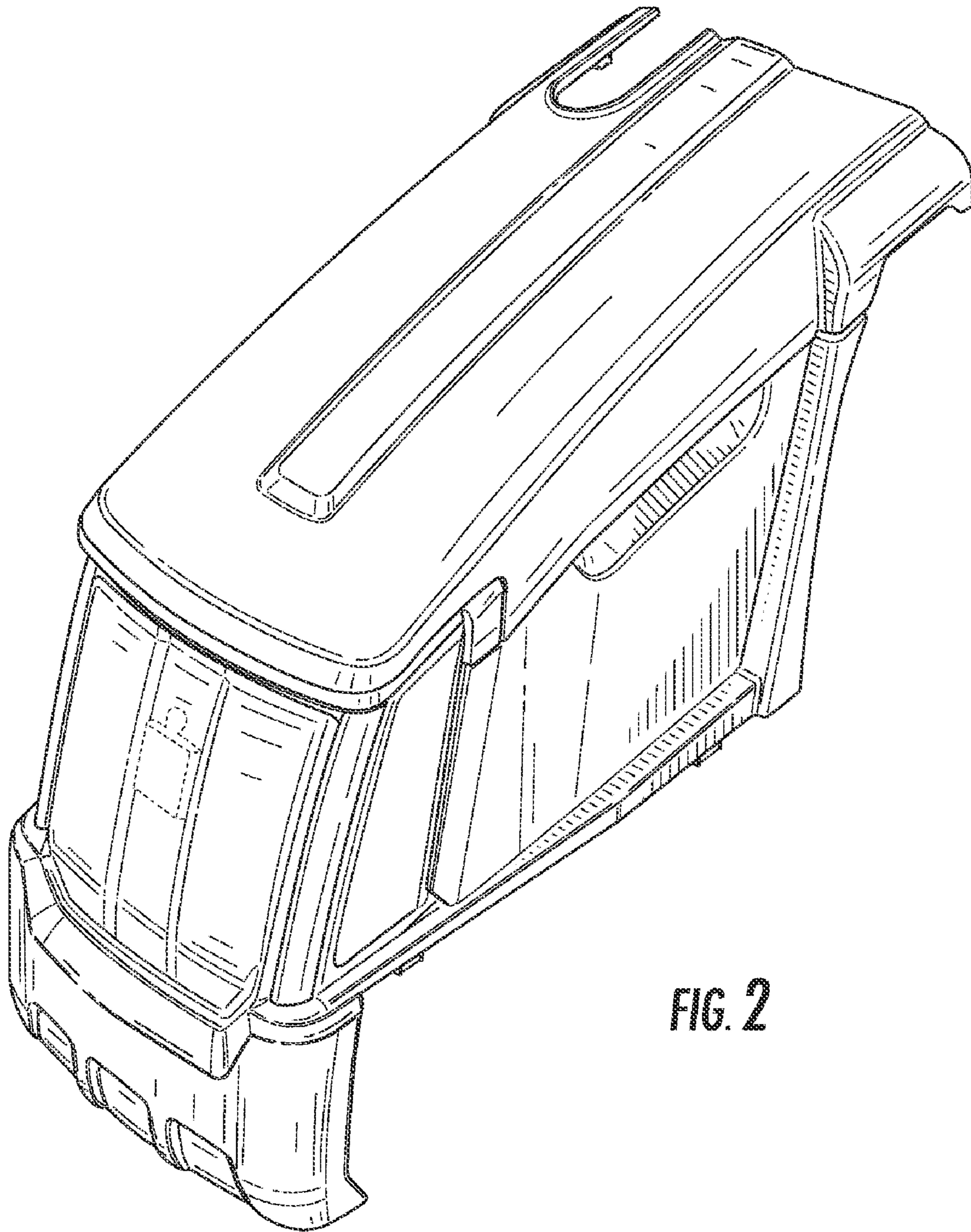


FIG. 2

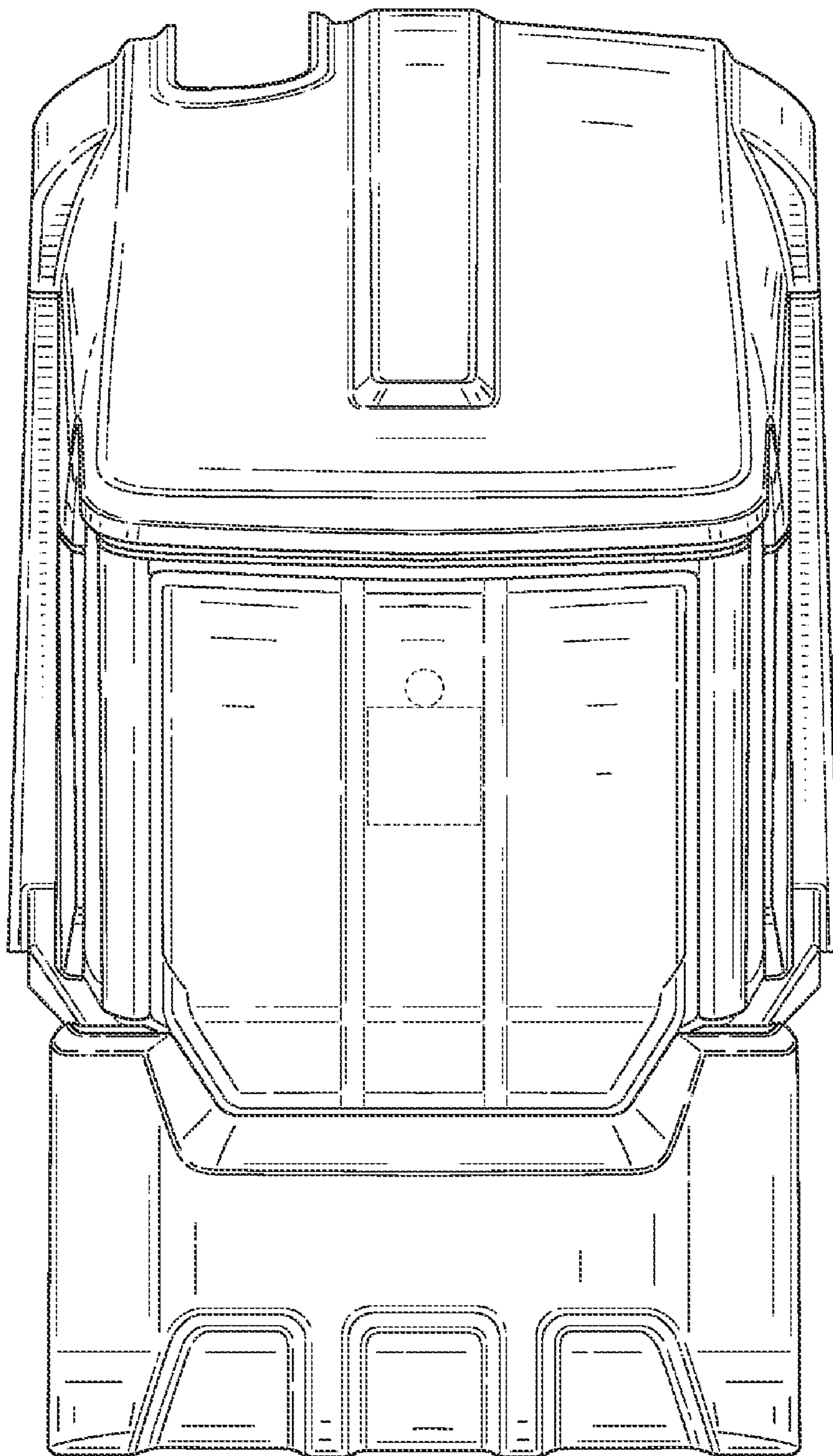


FIG. 3

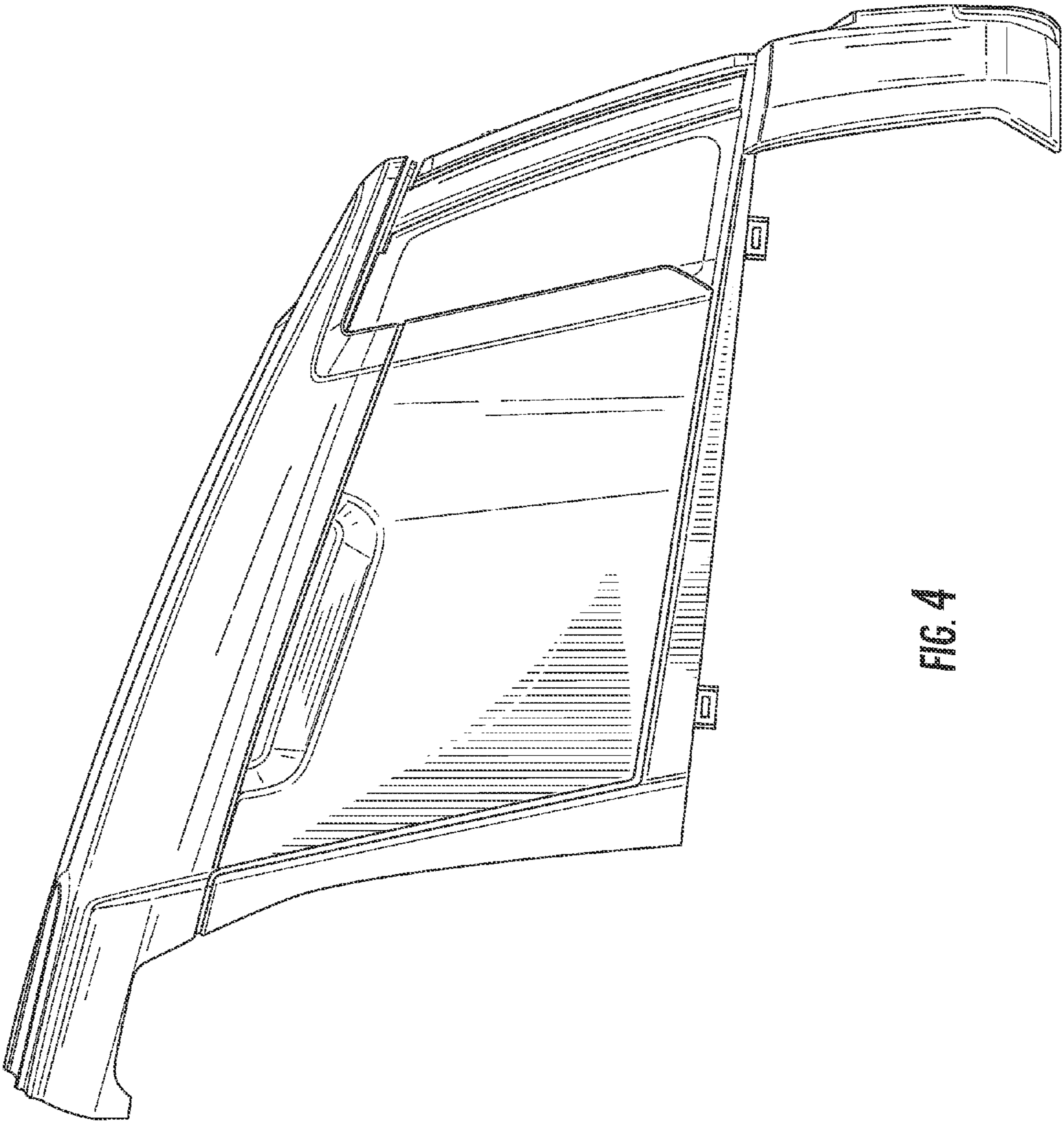


FIG. 4

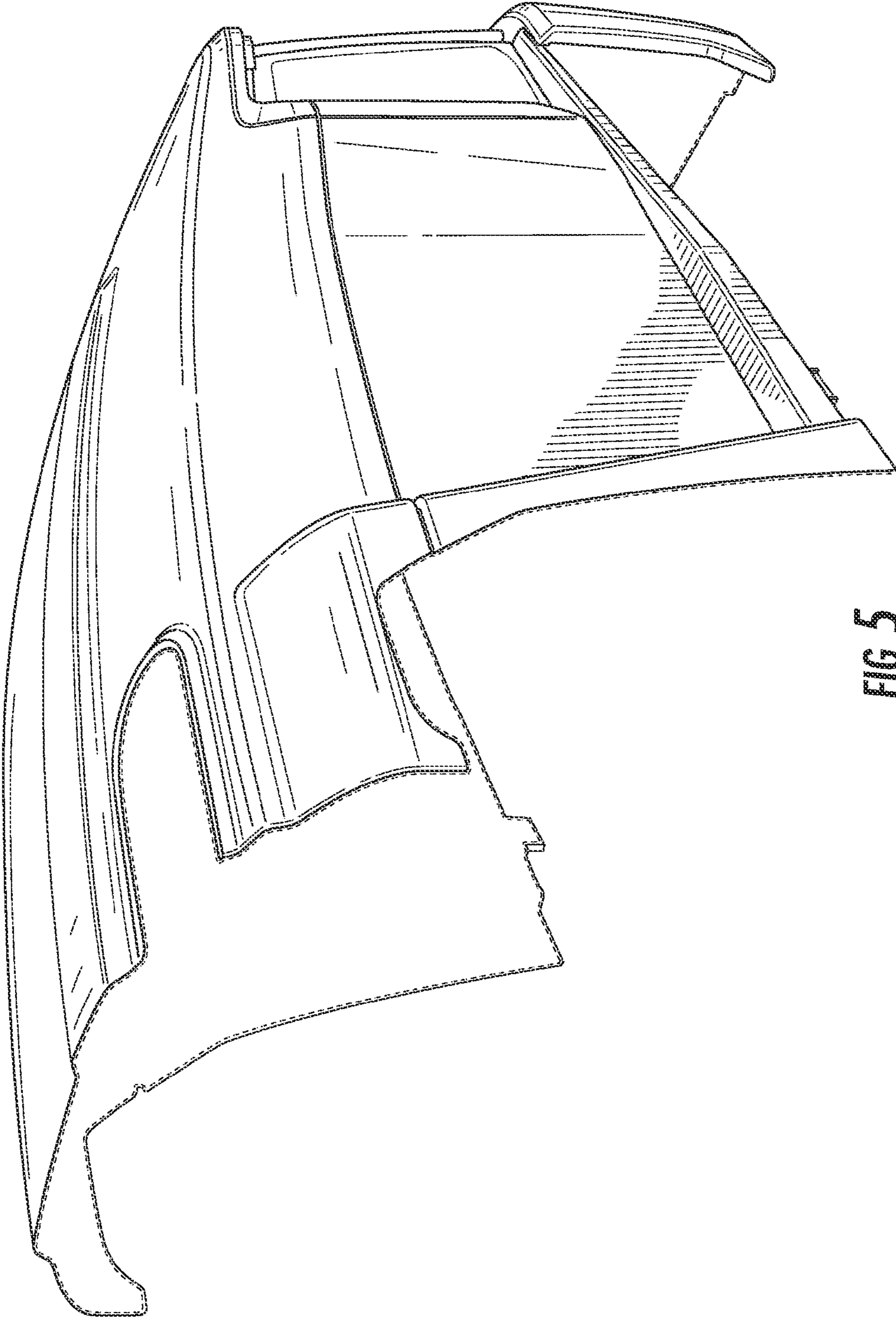


FIG. 5

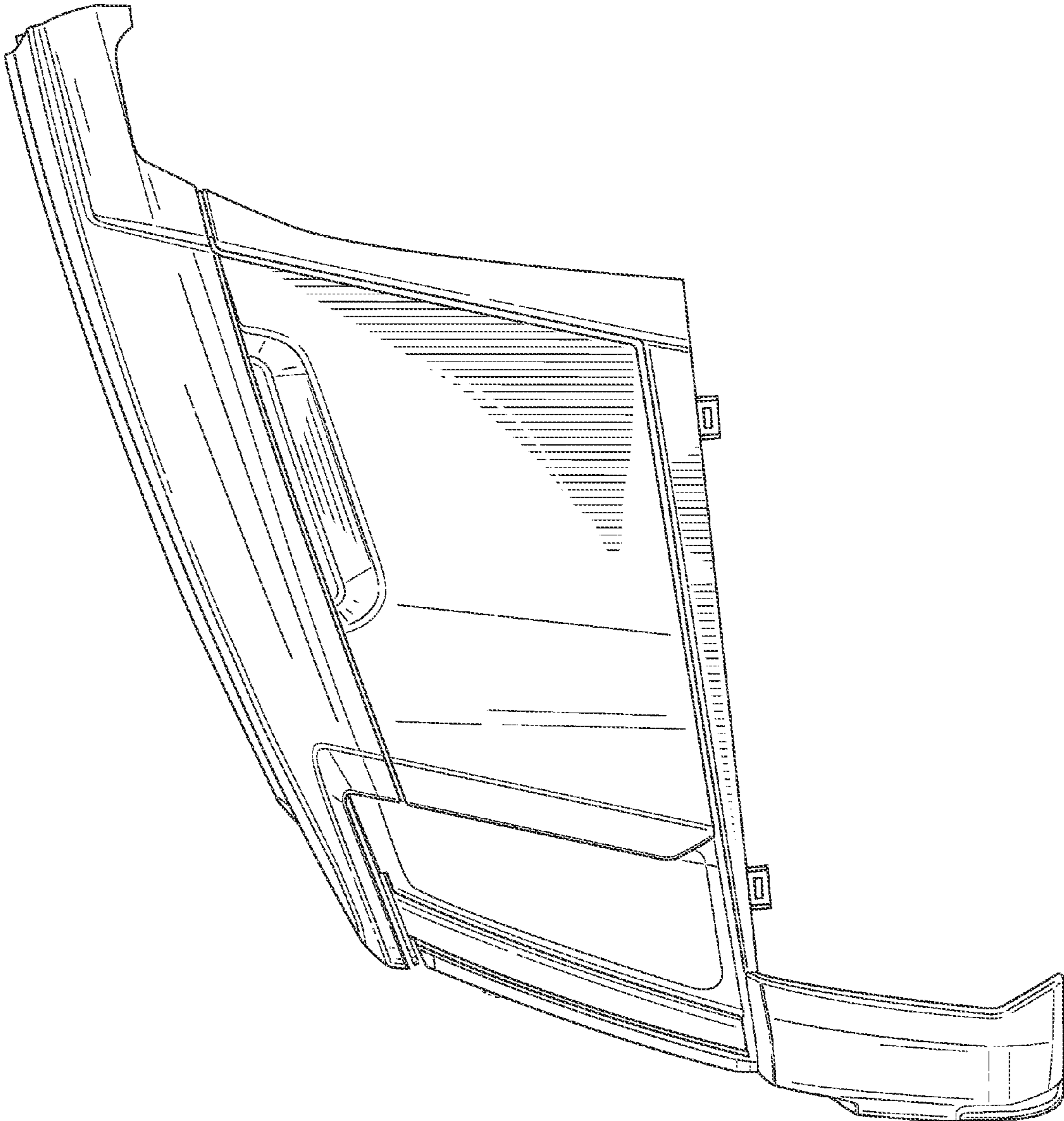
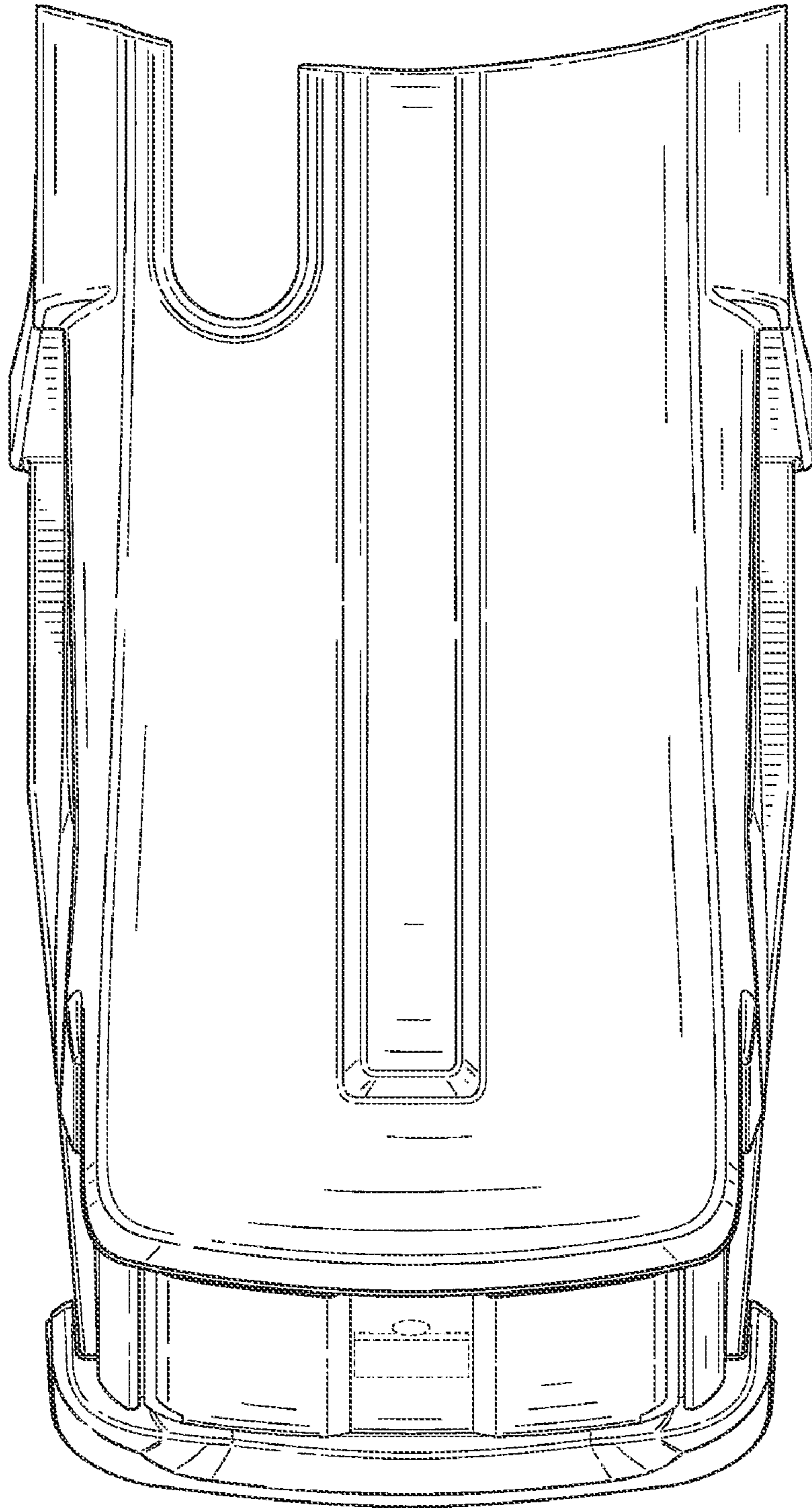


FIG. 6



**FIG. 7**