

US00D624943S

(12) **United States Design Patent**  
**Gibbon**

(10) **Patent No.:** **US D624,943 S**

(45) **Date of Patent:** **\*\* Oct. 5, 2010**

(54) **GROUND ENGAGING TOOL**

(76) **Inventor:** **Graham John Gibbon**, P.O. Box 1959,  
Mandurah, Western Australia (AU) 6210

(\*\*) **Term:** **14 Years**

(21) **Appl. No.:** **29/344,815**

(22) **Filed:** **Oct. 5, 2009**

(30) **Foreign Application Priority Data**

Apr. 3, 2009 (AU) ..... 11134/2009

(51) **LOC (9) Cl.** ..... **15-03**

(52) **U.S. Cl.** ..... **D15/29**

(58) **Field of Classification Search** ..... D15/11,  
D15/28, 29; 37/456, 452, 450, 446, 454,  
37/449, 453, 455, 903; 403/379.5, DIG. 1;  
111/152; 172/724, 730, 766, 770, 771, 721,  
172/713, 699, 772

See application file for complete search history.

(56) **References Cited**

**U.S. PATENT DOCUMENTS**

4,918,843	A *	4/1990	Kiesewetter et al.	37/457
5,088,214	A *	2/1992	Jones	37/450
5,172,501	A *	12/1992	Pippins	37/453
5,272,824	A *	12/1993	Cornelius	37/458
5,666,748	A *	9/1997	Emrich et al.	37/453
5,782,019	A *	7/1998	Lauder et al.	37/446
5,987,787	A *	11/1999	Mack	37/456
D429,256	S *	8/2000	Zaun	D15/29
D429,257	S *	8/2000	Zaun	D15/29
D458,614	S *	6/2002	Esterhuysen et al.	D15/29
D460,464	S *	7/2002	Ketting et al.	D15/29
6,725,582	B2 *	4/2004	Adamic et al.	37/456
6,871,426	B2 *	3/2005	Keech et al.	37/456
D505,137	S *	5/2005	Steinlage et al.	D15/29

7,219,454	B2 *	5/2007	Maher	37/456
D567,825	S *	4/2008	Clendenning et al.	D15/29
D567,826	S *	4/2008	Clendenning et al.	D15/29
D567,827	S *	4/2008	Clendenning et al.	D15/29
7,472,503	B2 *	1/2009	Maher	37/455
2003/0037468	A1 *	2/2003	Adamic et al.	37/455
2005/0229441	A1 *	10/2005	Maher	37/446
2007/0204490	A1 *	9/2007	Jones et al.	37/452
2008/0148608	A1 *	6/2008	Harder et al.	37/455
2008/0201997	A1 *	8/2008	Armstrong	37/457
2009/0282711	A1 *	11/2009	Naher et al.	37/455

\* cited by examiner

*Primary Examiner*—Mark A Goodwin

(74) *Attorney, Agent, or Firm*—Nixon & Vanderhye, P.C.

(57) **CLAIM**

The ornamental design for a ground engaging tool, as shown and described.

**DESCRIPTION**

FIG. 1 is a top front right side perspective view of a ground engaging tool showing my new design, the broken line showing of the rear element of the ground engaging tool in all of the figures is included for the purpose of illustrating portions of the ground engaging tool and forms no part of the claimed design;

FIG. 2 is a top rear right side perspective view of thereof;

FIG. 3 is a right side view thereof;

FIG. 4 is a left side view thereof;

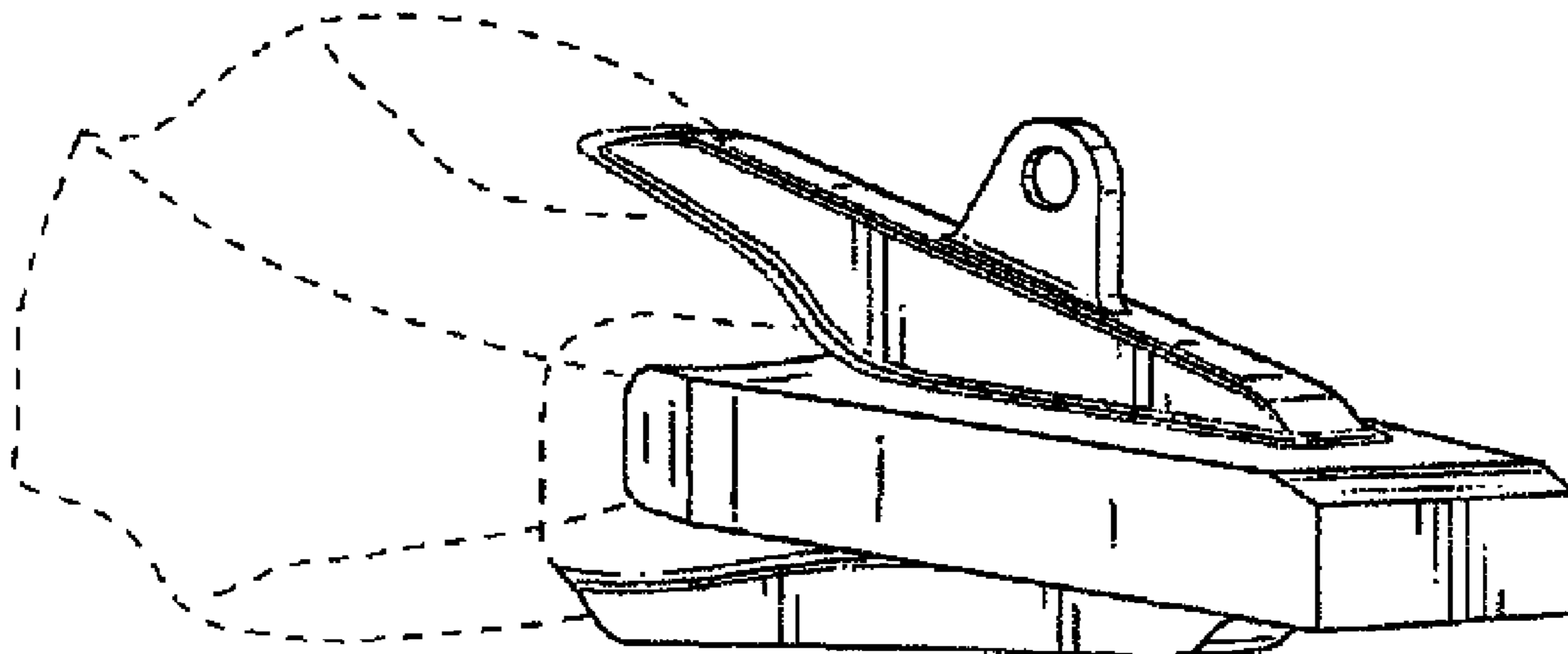
FIG. 5 is a top plan view thereof;

FIG. 6 is a bottom plan view thereof;

FIG. 7 is a front view thereof; and,

FIG. 8 is a rear view thereof.

**1 Claim, 4 Drawing Sheets**



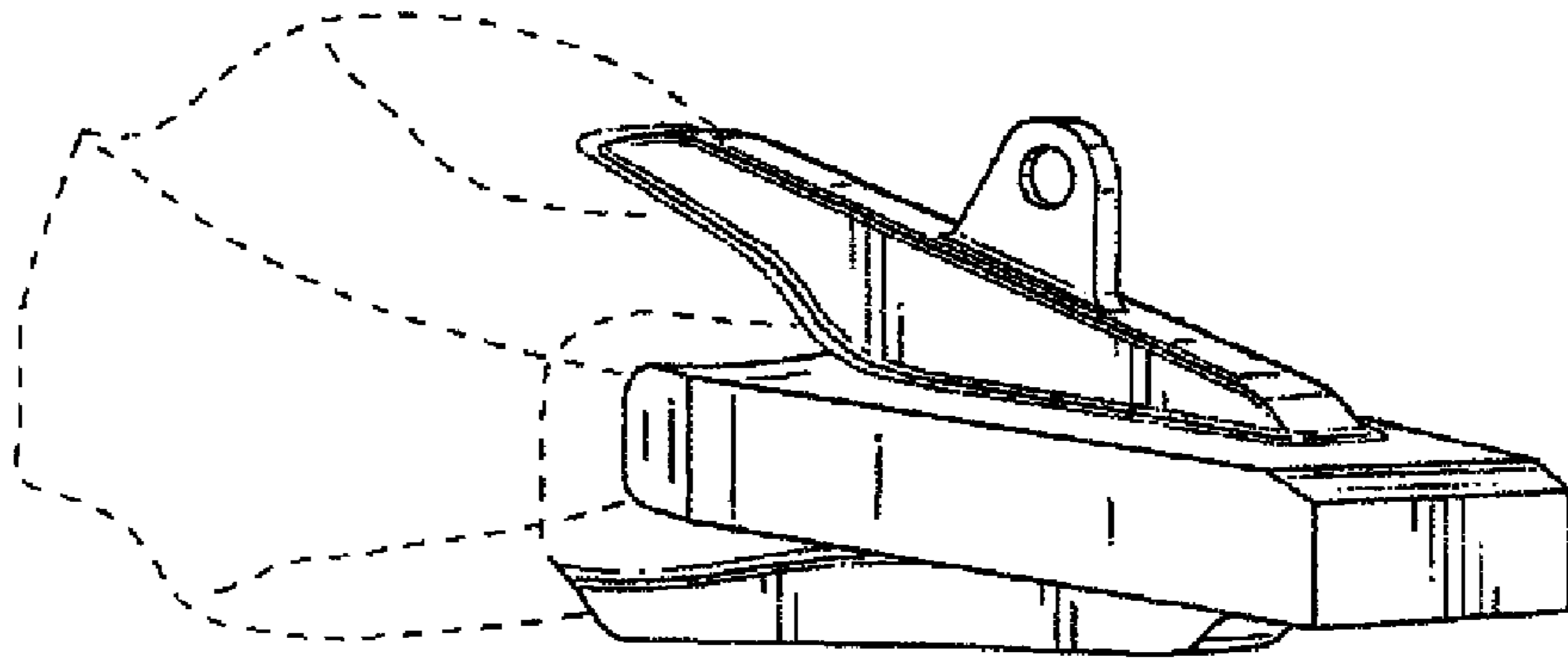


Figure 1

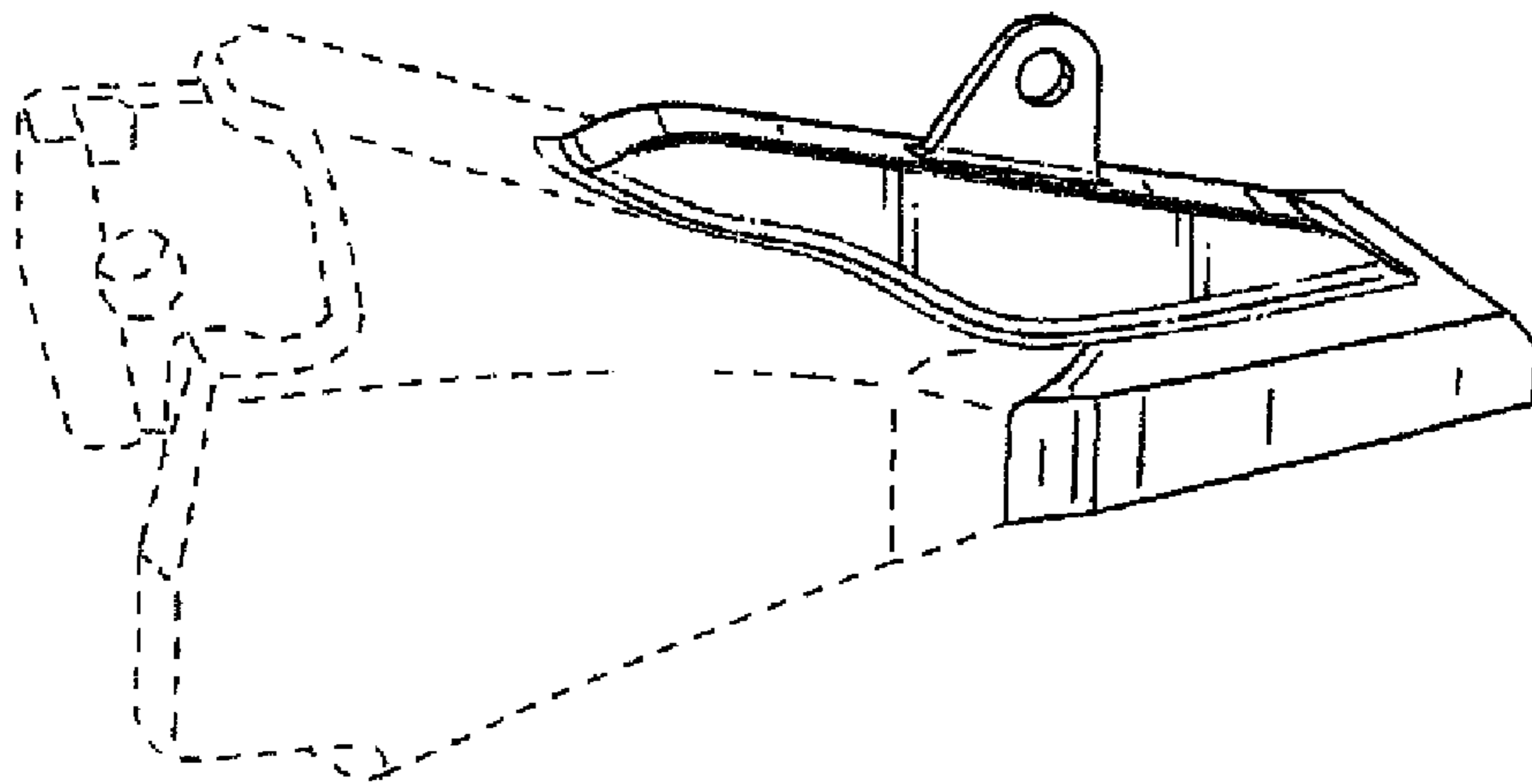


Figure 2

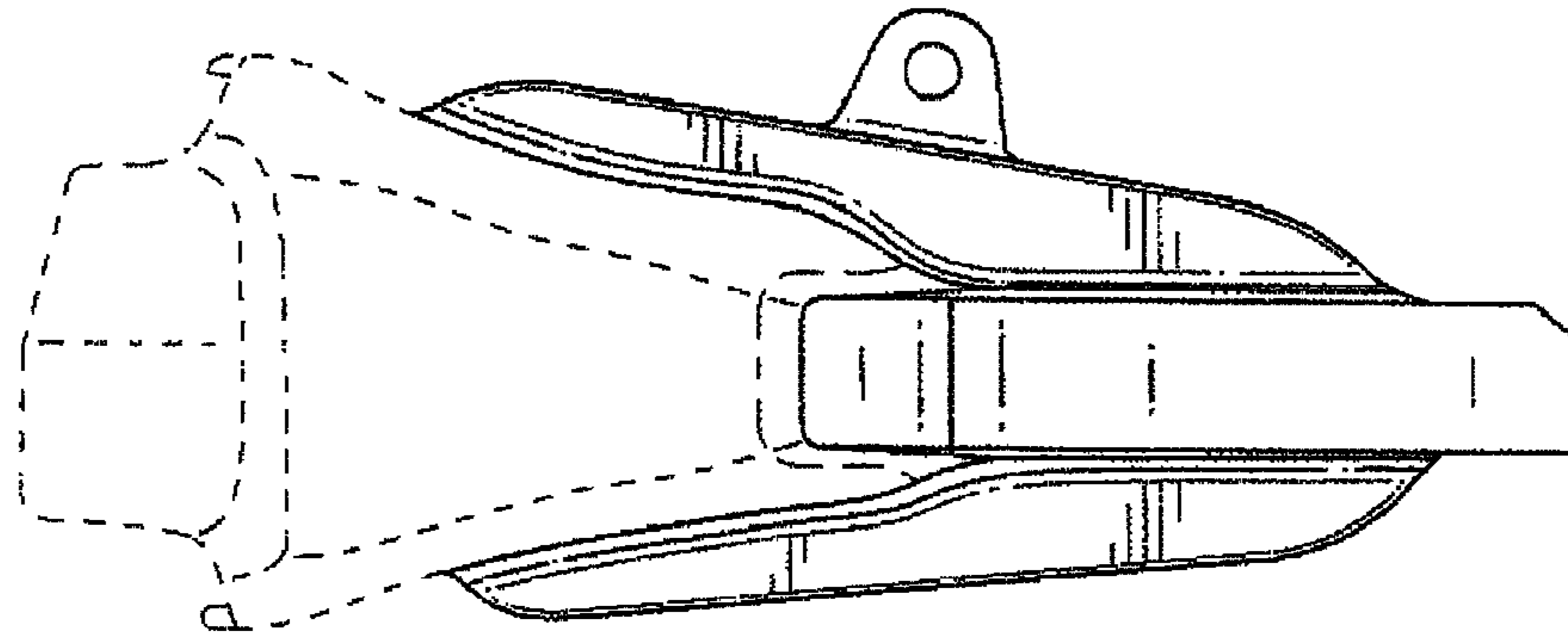


Figure 3

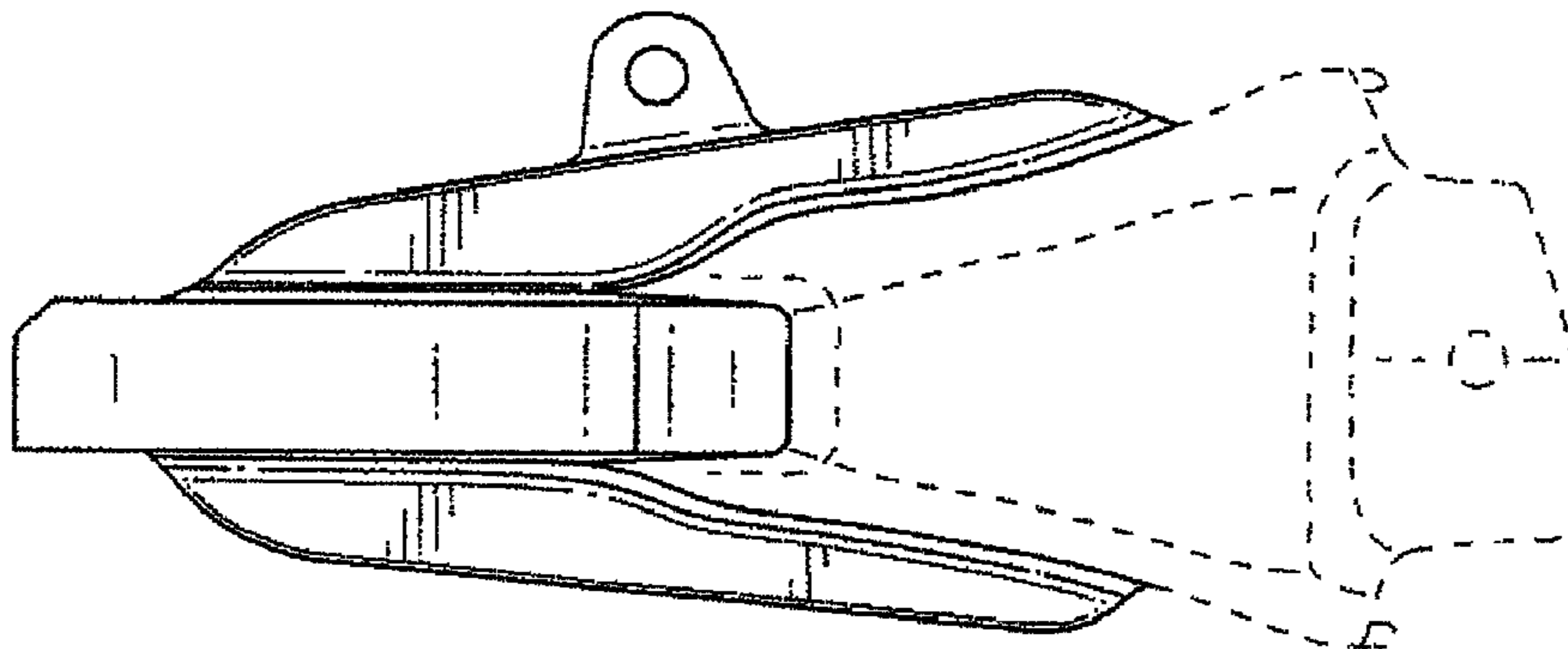


Figure 4

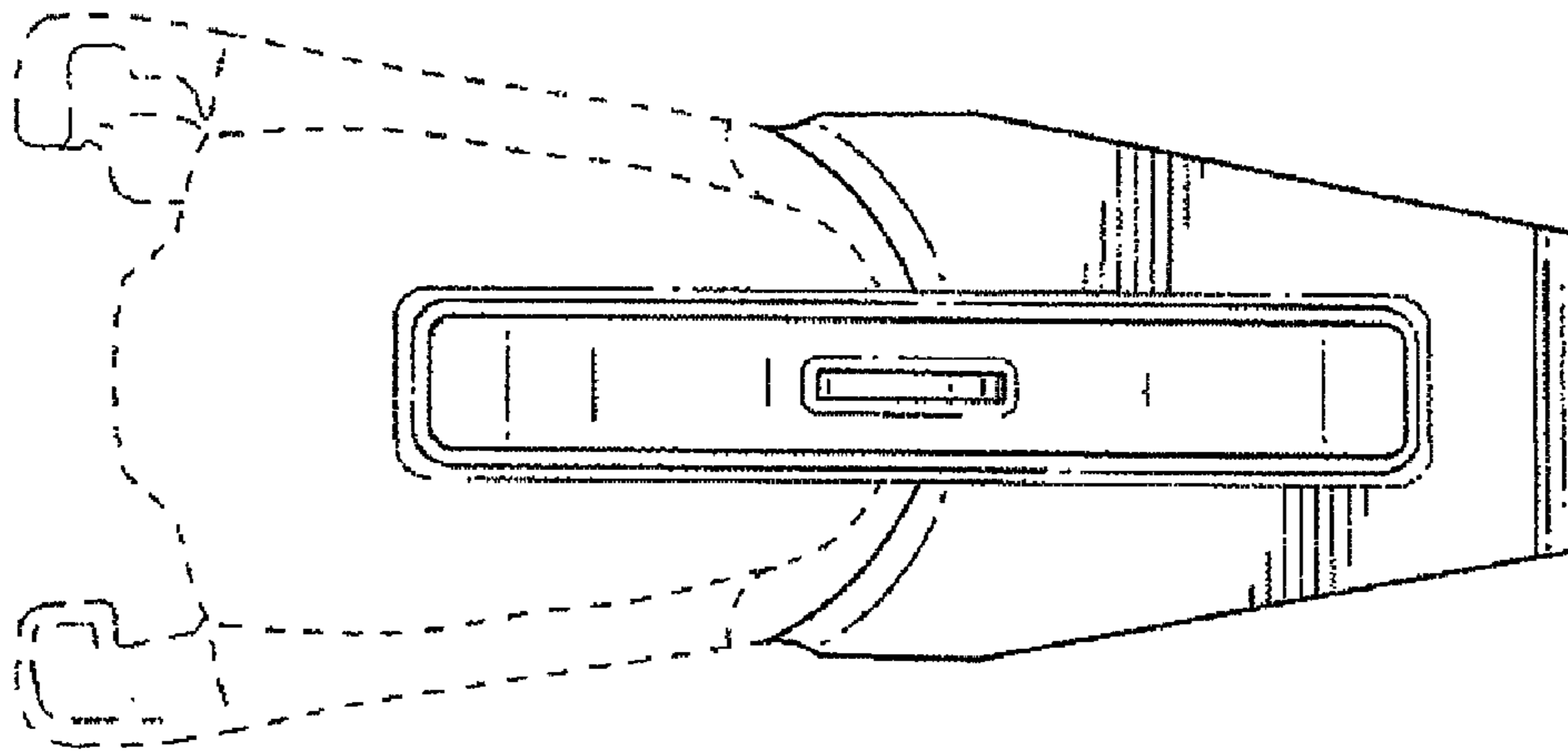


Figure 5

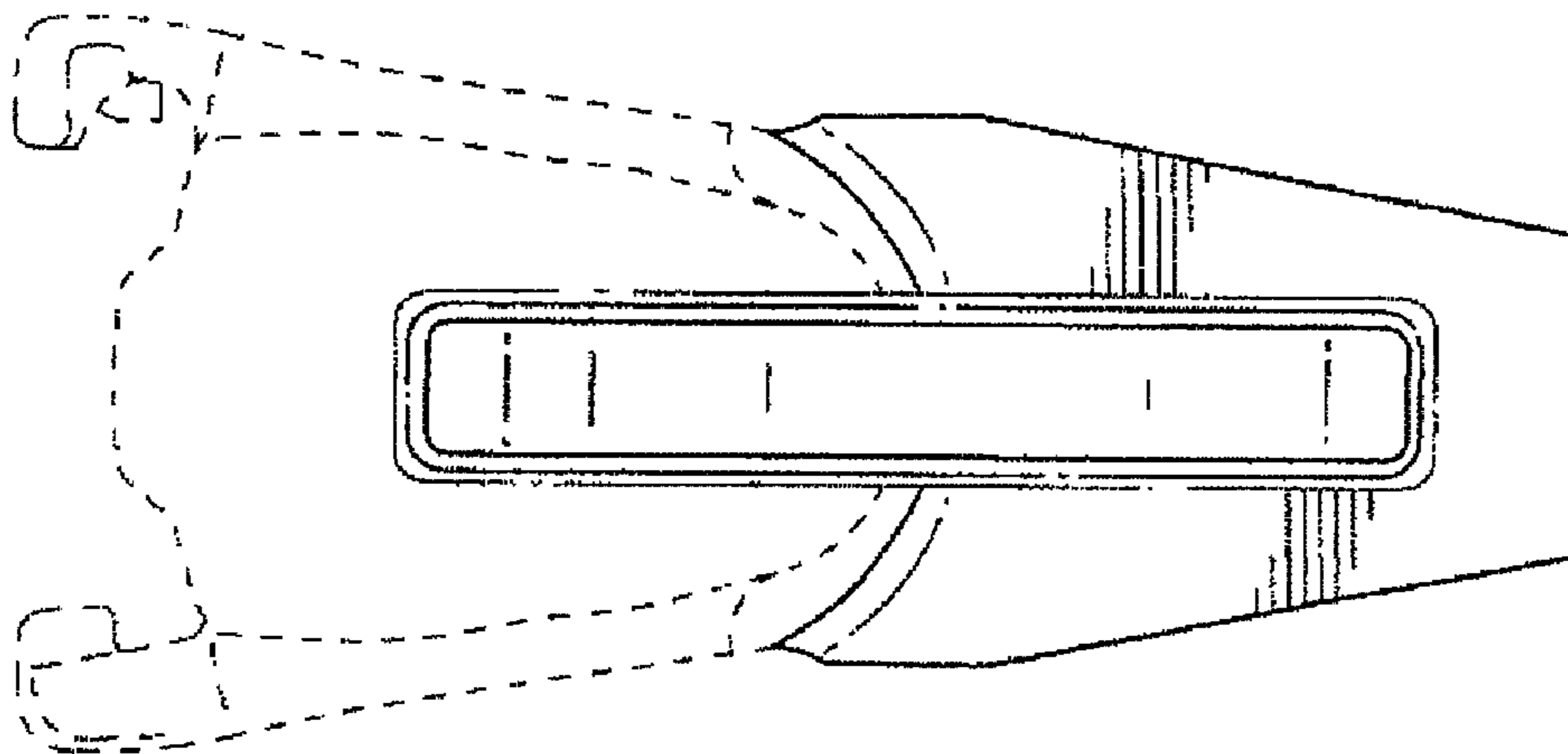


Figure 6

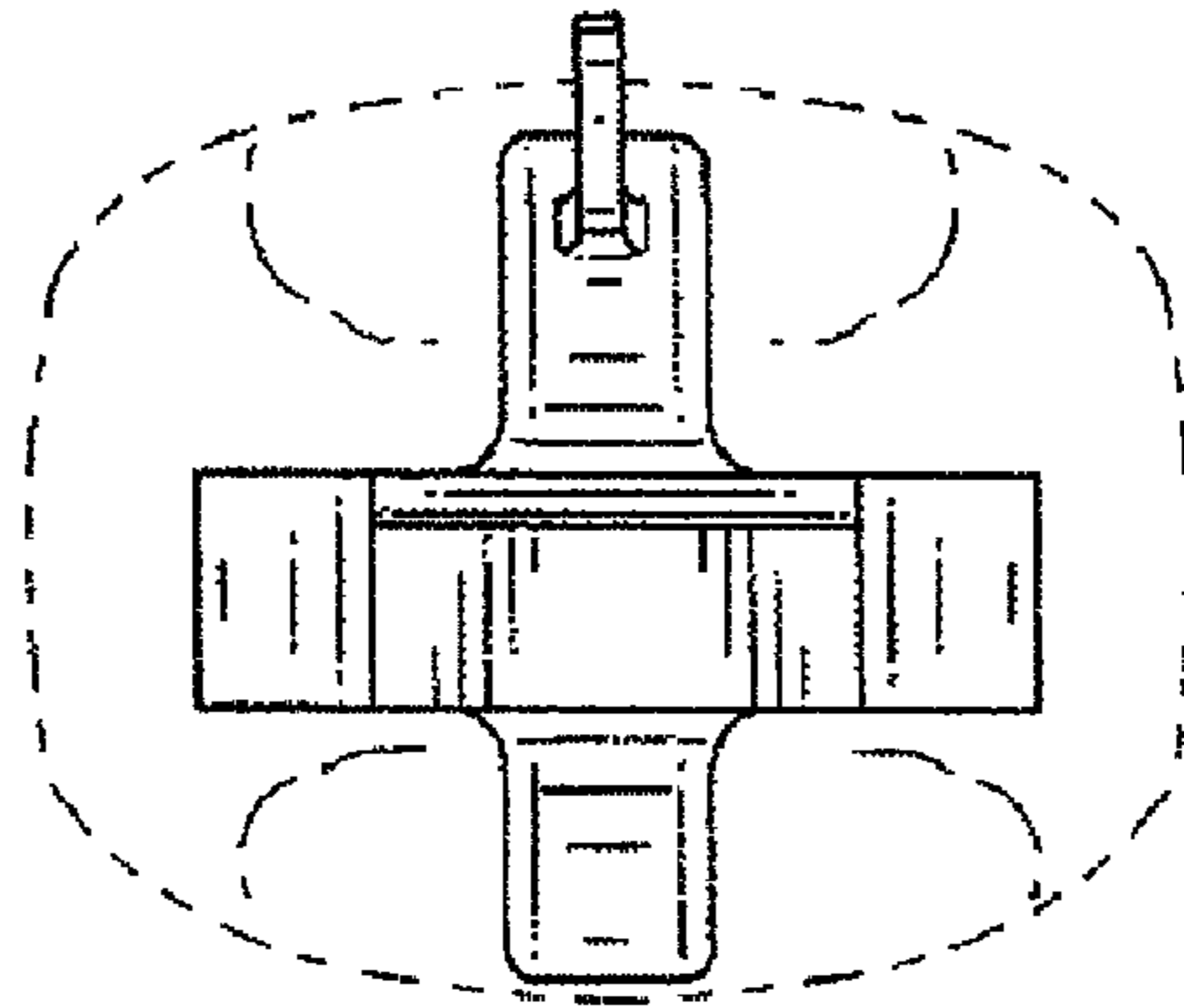


Figure 7

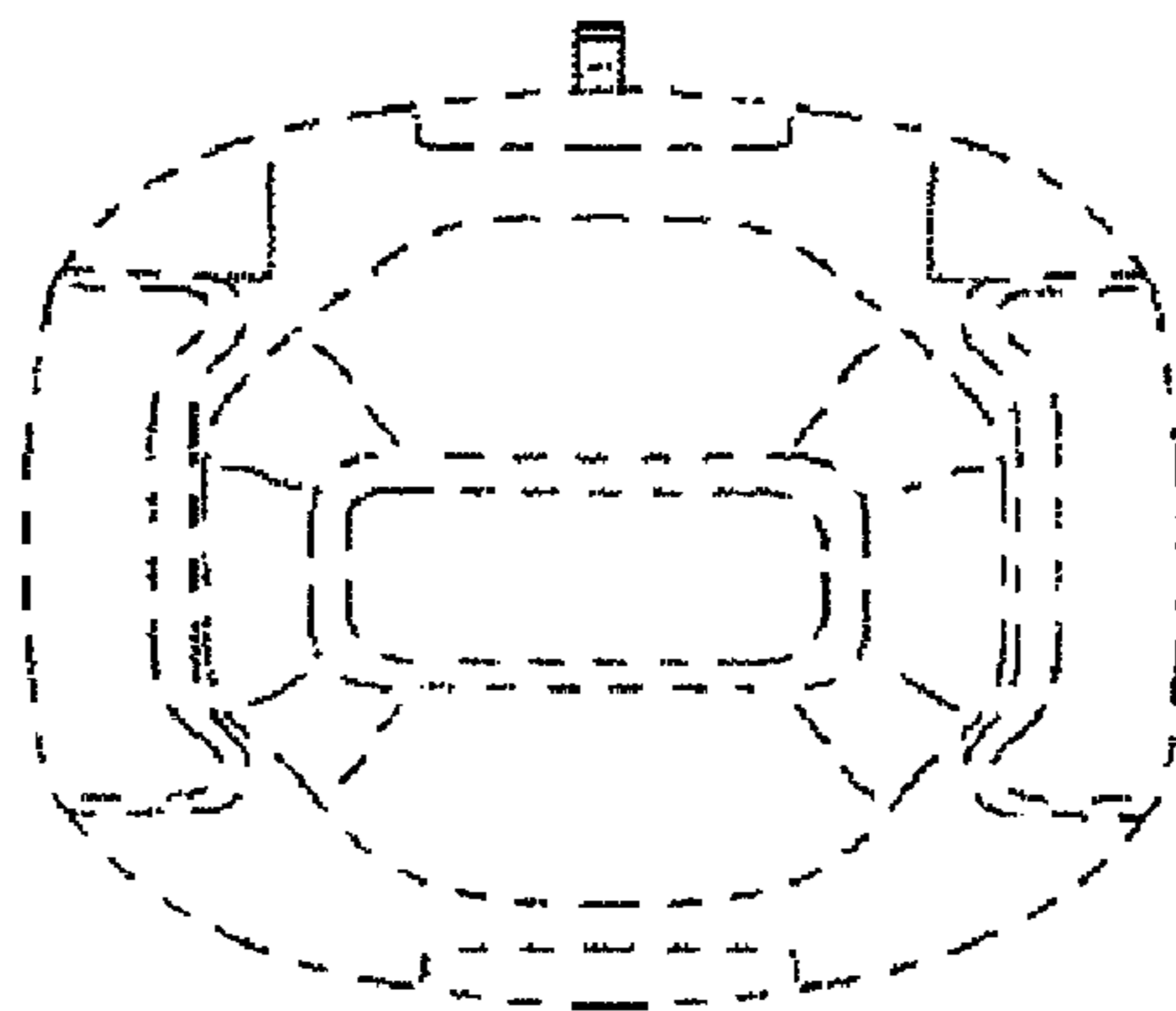


Figure 8