



US00D624942S

(12) **United States Design Patent**  
**Buhr et al.**

(10) **Patent No.:** **US D624,942 S**

(45) **Date of Patent:** **\*\* Oct. 5, 2010**

(54) **KICKER PLATE**

(75) Inventors: **Karsten Buhr**, Willroth (DE); **Stefan Abresch**, Dierdorf (DE); **Thomas Lehnert**, Oberraden (DE); **Guenter Haehn**, Konigswinter (DE); **Cyrus Barimani**, Koenigswinter (DE)

(73) Assignee: **Wirtgen GmbH** (DE)

(\*\*) Term: **14 Years**

(21) Appl. No.: **29/358,064**

(22) Filed: **Mar. 22, 2010**

(30) **Foreign Application Priority Data**

Jan. 7, 2010	(EM)	001654567-0001
Jan. 7, 2010	(EM)	001654567-0002
Jan. 7, 2010	(EM)	001654567-0003
Jan. 7, 2010	(EM)	001654567-0004
Jan. 7, 2010	(EM)	001654567-0005
Jan. 7, 2010	(EM)	001654567-0006
Jan. 7, 2010	(EM)	001654567-0007
Jan. 7, 2010	(EM)	001654567-0008
Jan. 7, 2010	(EM)	001654567-0009
Jan. 7, 2010	(EM)	001654567-0010
Jan. 7, 2010	(EM)	001654567-0011
Jan. 7, 2010	(EM)	001654567-0012
Jan. 7, 2010	(EM)	001654567-0013
Jan. 7, 2010	(EM)	001654567-0014
Jan. 7, 2010	(EM)	001654567-0015
Jan. 7, 2010	(EM)	001654567-0016
Jan. 7, 2010	(EM)	001654567-0017
Jan. 7, 2010	(EM)	001654567-0018
Jan. 7, 2010	(EM)	001654567-0019
Jan. 7, 2010	(EM)	001654567-0020
Jan. 7, 2010	(EM)	001654567-0021
Jan. 7, 2010	(EM)	001654567-0022
Jan. 7, 2010	(EM)	001654567-0023
Jan. 7, 2010	(EM)	001654567-0024

(51) **LOC (9) Cl.** ..... **15-03**

(52) **U.S. Cl.** ..... **D15/28; D15/21**

(58) **Field of Classification Search** ..... D15/19, D15/20, 21, 22, 28, 29; 404/90, 112; 299/64, 299/39.1-39.6, 95, 79.1, 106, 108, 87.1  
See application file for complete search history.

(56) **References Cited**

U.S. PATENT DOCUMENTS

3,156,170 A \* 11/1964 Behrens et al. .... 404/101

(Continued)

FOREIGN PATENT DOCUMENTS

DE 3701905 C1 9/1988

(Continued)

*Primary Examiner*—Mark A Goodwin  
(74) *Attorney, Agent, or Firm*—Waddey & Patterson, P.C.;  
Lucian Wayne Beavers

(57) **CLAIM**

The ornamental design for a kicker plate, as shown and described.

**DESCRIPTION**

FIG. 1 is a front perspective view of the kicker plate showing our new design.

FIG. 2 is a rear perspective view of the kicker plate of FIG. 1.

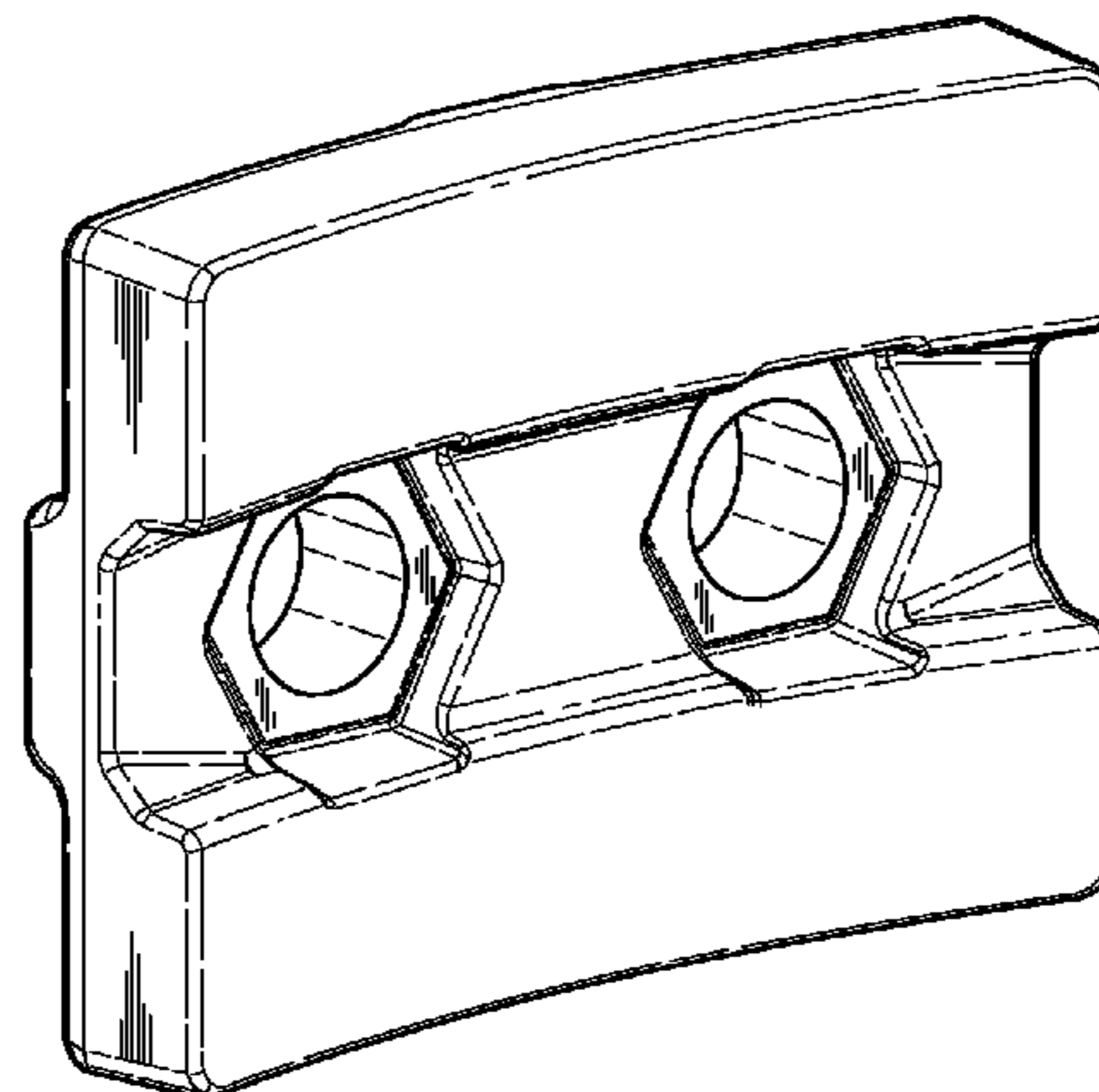
FIG. 3 is a top view of the kicker plate of FIG. 1, the bottom view being a mirror image thereof.

FIG. 4 is a right side elevation view of the kicker plate of FIG. 1, the left side elevation view being a mirror image thereof.

FIG. 5 is a front elevation view of the kicker plate of FIG. 1; and,

FIG. 6 is a rear elevation view of the kicker plate of FIG. 1.

**1 Claim, 2 Drawing Sheets**



# US D624,942 S

Page 2

## U.S. PATENT DOCUMENTS

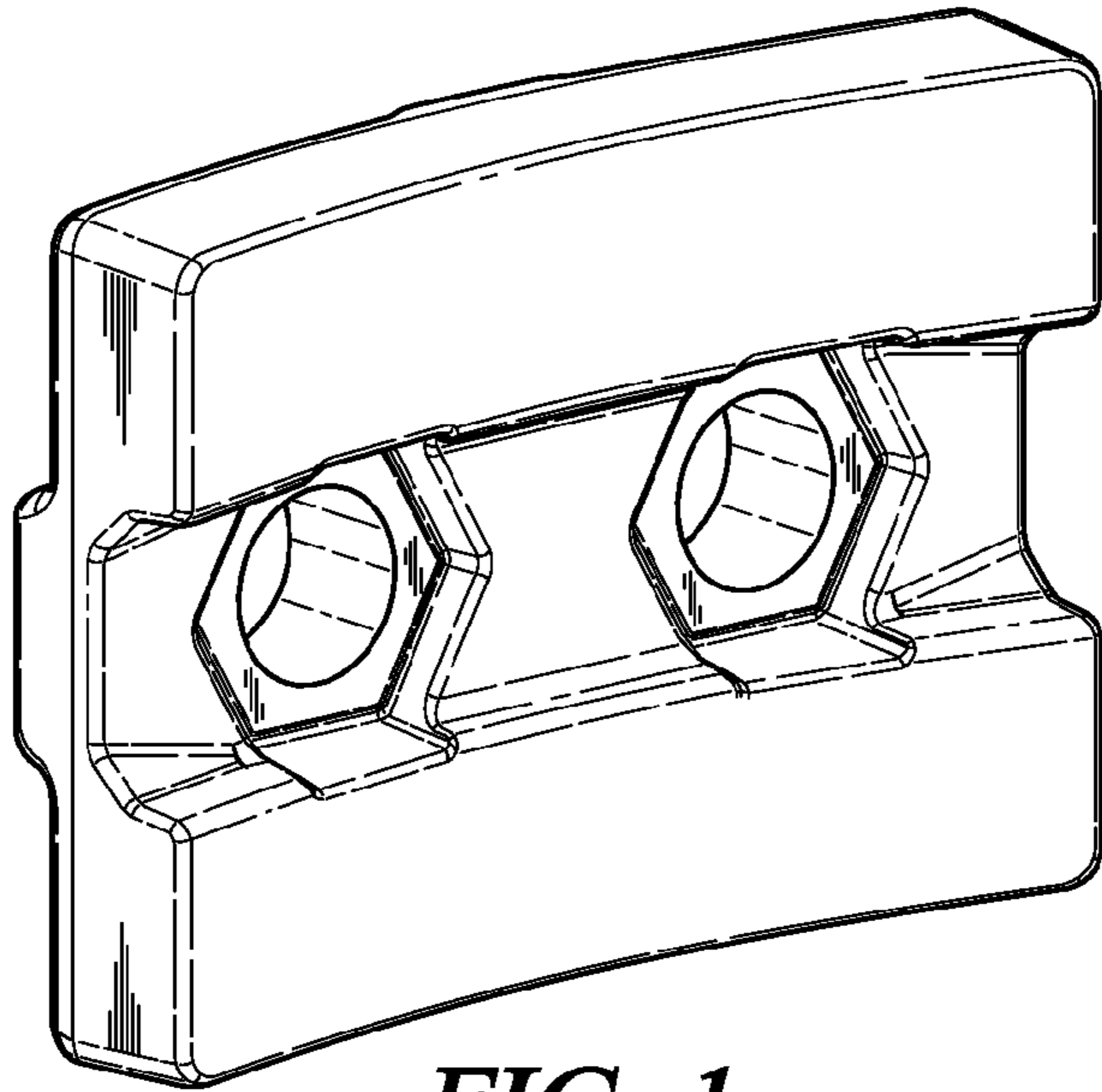
3,554,606 A \* 1/1971 Mabey et al. .... 299/39.4  
4,041,623 A \* 8/1977 Miller et al. .... 37/382  
4,186,968 A \* 2/1980 Barton ..... 299/39.2  
4,660,890 A \* 4/1987 Mills ..... 299/104  
4,723,867 A \* 2/1988 Wirtgen ..... 404/90  
4,818,027 A 4/1989 Simon  
5,120,112 A \* 6/1992 Kincaid ..... 299/67  
5,354,147 A \* 10/1994 Swisher, Jr. .... 299/39.6  
5,536,073 A \* 7/1996 Sulosky et al. .... 299/39.8  
5,645,323 A \* 7/1997 Beach ..... 299/111  
5,647,641 A \* 7/1997 Sulosky et al. .... 299/39.8  
5,893,677 A \* 4/1999 Haehn et al. .... 404/90  
6,213,560 B1 \* 4/2001 Lindblom ..... 299/39.4  
6,478,383 B1 \* 11/2002 Ojanen et al. .... 299/104  
6,547,484 B2 \* 4/2003 Murphy ..... 404/124  
6,619,756 B1 \* 9/2003 Holl et al. .... 299/85.2  
6,644,755 B1 \* 11/2003 Kammerer ..... 299/104  
6,764,140 B2 \* 7/2004 Carson et al. .... 299/79.1

6,962,395 B2 \* 11/2005 Mouthaan ..... 299/104  
7,300,115 B2 \* 11/2007 Holl et al. .... 299/106  
D559,279 S \* 1/2008 Sakitani et al. .... D15/28  
7,338,134 B2 \* 3/2008 Latham ..... 299/87.1  
7,370,916 B2 \* 5/2008 Ley et al. .... 299/39.2  
D591,776 S \* 5/2009 Rasset et al. .... D15/28  
2003/0184145 A1 \* 10/2003 Carson et al. .... 299/79.1  
2004/0051369 A1 \* 3/2004 Luciano ..... 299/87.1  
2004/0145232 A1 \* 7/2004 Sansone et al. .... 299/39.8  
2005/0077776 A1 \* 4/2005 Hansen et al. .... 299/39.8  
2008/0036271 A1 \* 2/2008 Hall et al. .... 299/87.1  
2009/0035064 A1 \* 2/2009 Holl et al. .... 404/90  
2009/0185859 A1 \* 7/2009 Haroldsen ..... 404/90  
2009/0289493 A1 \* 11/2009 Holl et al. .... 299/102

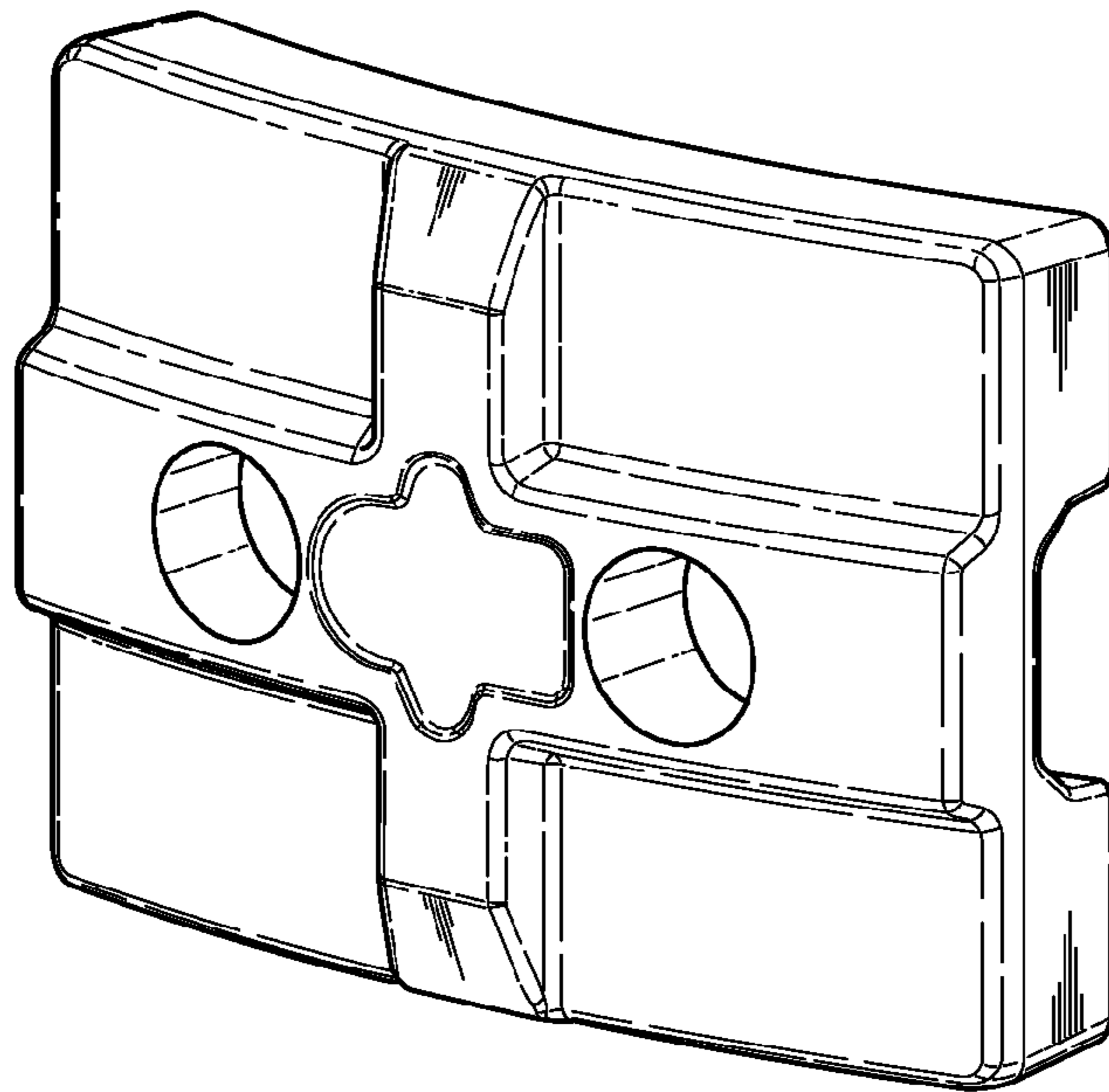
## FOREIGN PATENT DOCUMENTS

JP 8003919 A 1/1996

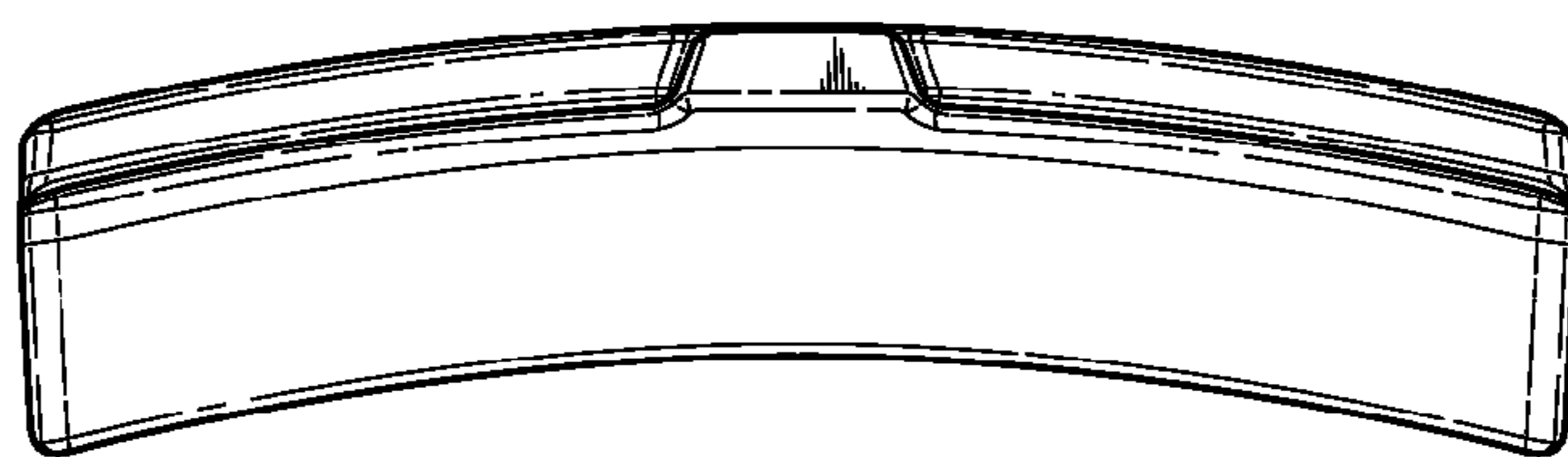
\* cited by examiner



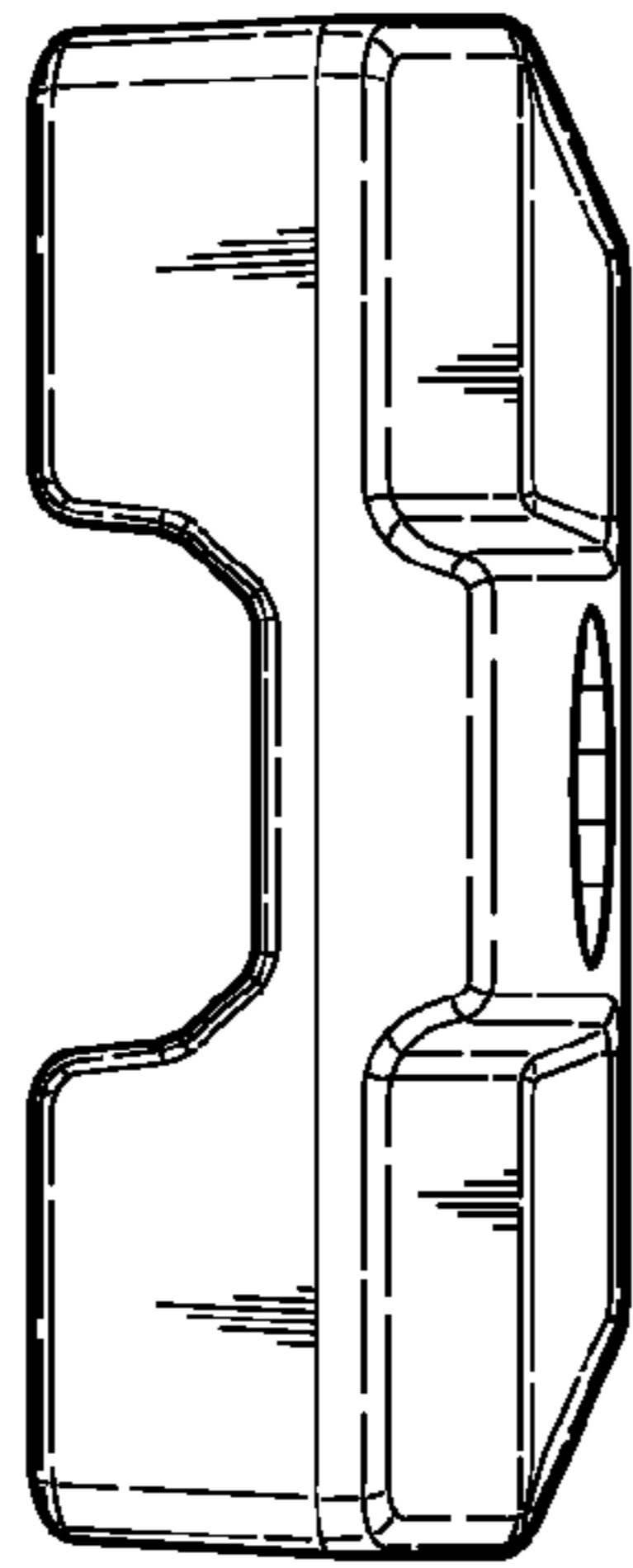
*FIG. 1*



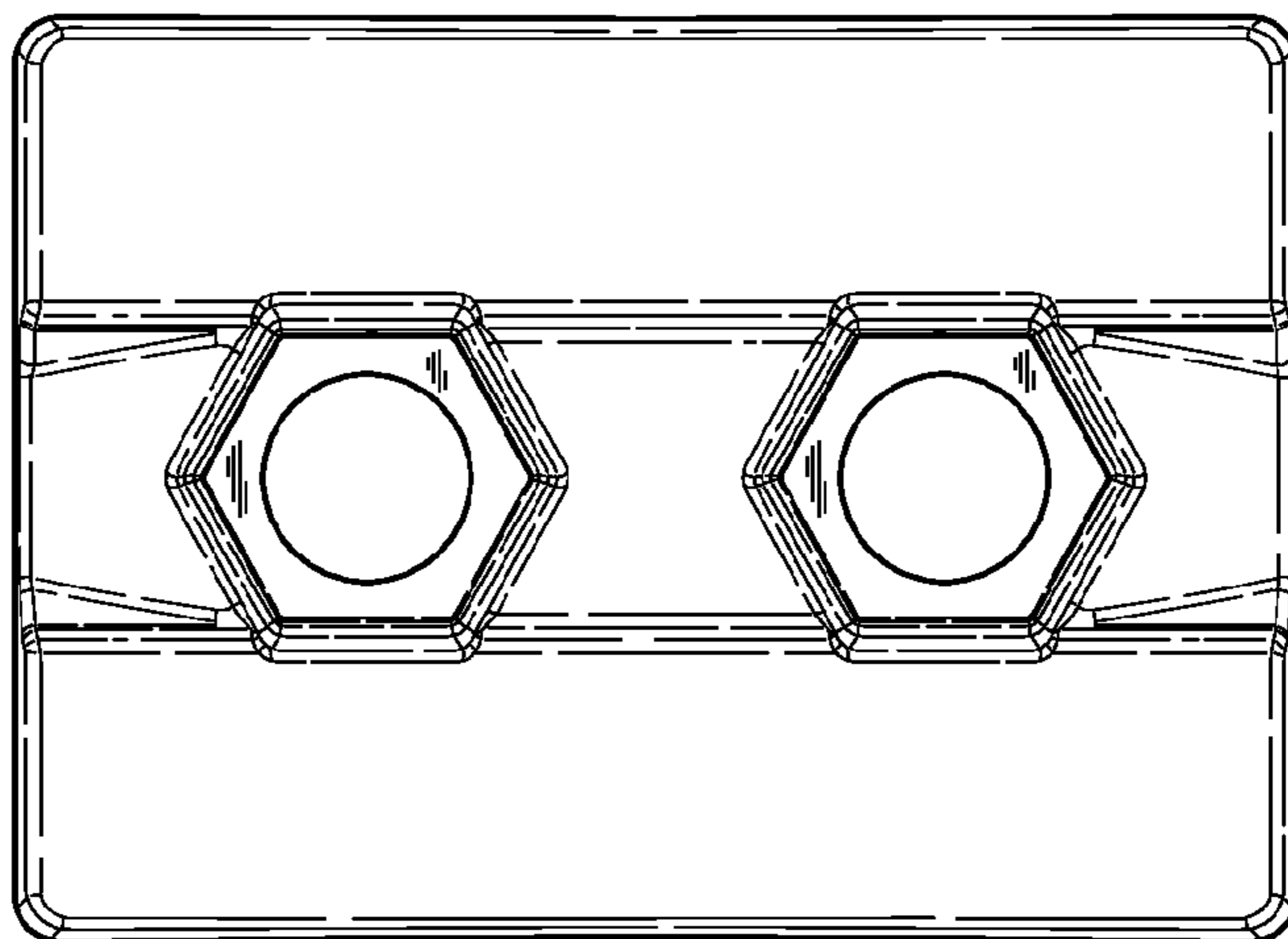
*FIG. 2*



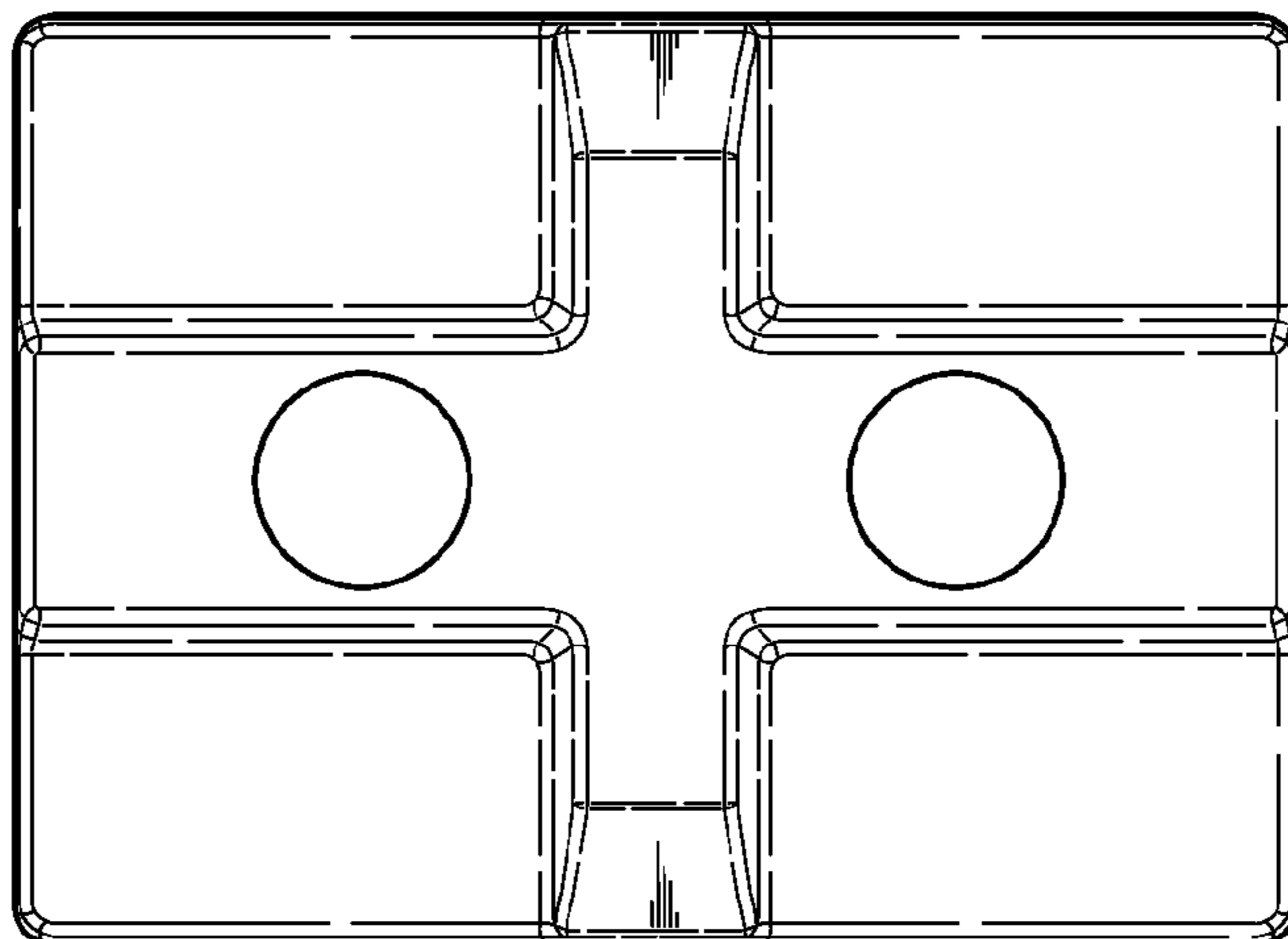
*FIG. 3*



**FIG. 4**



**FIG. 5**



**FIG. 6**