



US00D624940S

(12) **United States Design Patent**
Buhr et al.

(10) **Patent No.:** **US D624,940 S**

(45) **Date of Patent:** **** Oct. 5, 2010**

(54) **KICKER PLATE**

(75) Inventors: **Karsten Buhr**, Willroth (DE); **Stefan Abresch**, Dierdorf (DE); **Thomas Lehnert**, Oberraden (DE); **Guenter Haehn**, Koenigswinter (DE); **Cyrus Barimani**, Koenigswinter (DE)

(73) Assignee: **Wirtgen GmbH** (DE)

(**) Term: **14 Years**

(21) Appl. No.: **29/358,062**

(22) Filed: **Mar. 22, 2010**

(30) **Foreign Application Priority Data**

Jan. 7, 2010	(EM)	001654567-0001
Jan. 7, 2010	(EM)	001654567-0002
Jan. 7, 2010	(EM)	001654567-0003
Jan. 7, 2010	(EM)	001654567-0004
Jan. 7, 2010	(EM)	001654567-0005
Jan. 7, 2010	(EM)	001654567-0006
Jan. 7, 2010	(EM)	001654567-0007
Jan. 7, 2010	(EM)	001654567-0008
Jan. 7, 2010	(EM)	001654567-0009
Jan. 7, 2010	(EM)	001654567-0010
Jan. 7, 2010	(EM)	001654567-0011
Jan. 7, 2010	(EM)	001654567-0012
Jan. 7, 2010	(EM)	001654567-0013
Jan. 7, 2010	(EM)	001654567-0014
Jan. 7, 2010	(EM)	001654567-0015
Jan. 7, 2010	(EM)	001654567-0016
Jan. 7, 2010	(EM)	001654567-0017
Jan. 7, 2010	(EM)	001654567-0018
Jan. 7, 2010	(EM)	001654567-0019
Jan. 7, 2010	(EM)	001654567-0020
Jan. 7, 2010	(EM)	001654567-0021
Jan. 7, 2010	(EM)	001654567-0022
Jan. 7, 2010	(EM)	001654567-0023
Jan. 7, 2010	(EM)	001654567-0024

(51) **LOC (9) Cl.** **15-03**

(52) **U.S. Cl.** **D15/28; D15/21**

(58) **Field of Classification Search** D15/19, D15/20, 21, 22, 28, 29; 404/90, 112; 299/64, 299/39.1-39.6, 95, 79.1, 106, 108, 87.1
See application file for complete search history.

(56) **References Cited**

U.S. PATENT DOCUMENTS

3,156,170 A * 11/1964 Behrens et al. 404/101

(Continued)

FOREIGN PATENT DOCUMENTS

DE 3701905 C1 9/1988

(Continued)

Primary Examiner—Mark A Goodwin
(74) *Attorney, Agent, or Firm*—Waddey & Patterson, P.C.;
Lucian Wayne Beavers

(57) **CLAIM**

The ornamental design for a kicker plate, as shown and described.

DESCRIPTION

FIG. 1 is a front perspective view of the kicker plate showing our new design.

FIG. 2 is a rear perspective view of the kicker plate of FIG. 1.

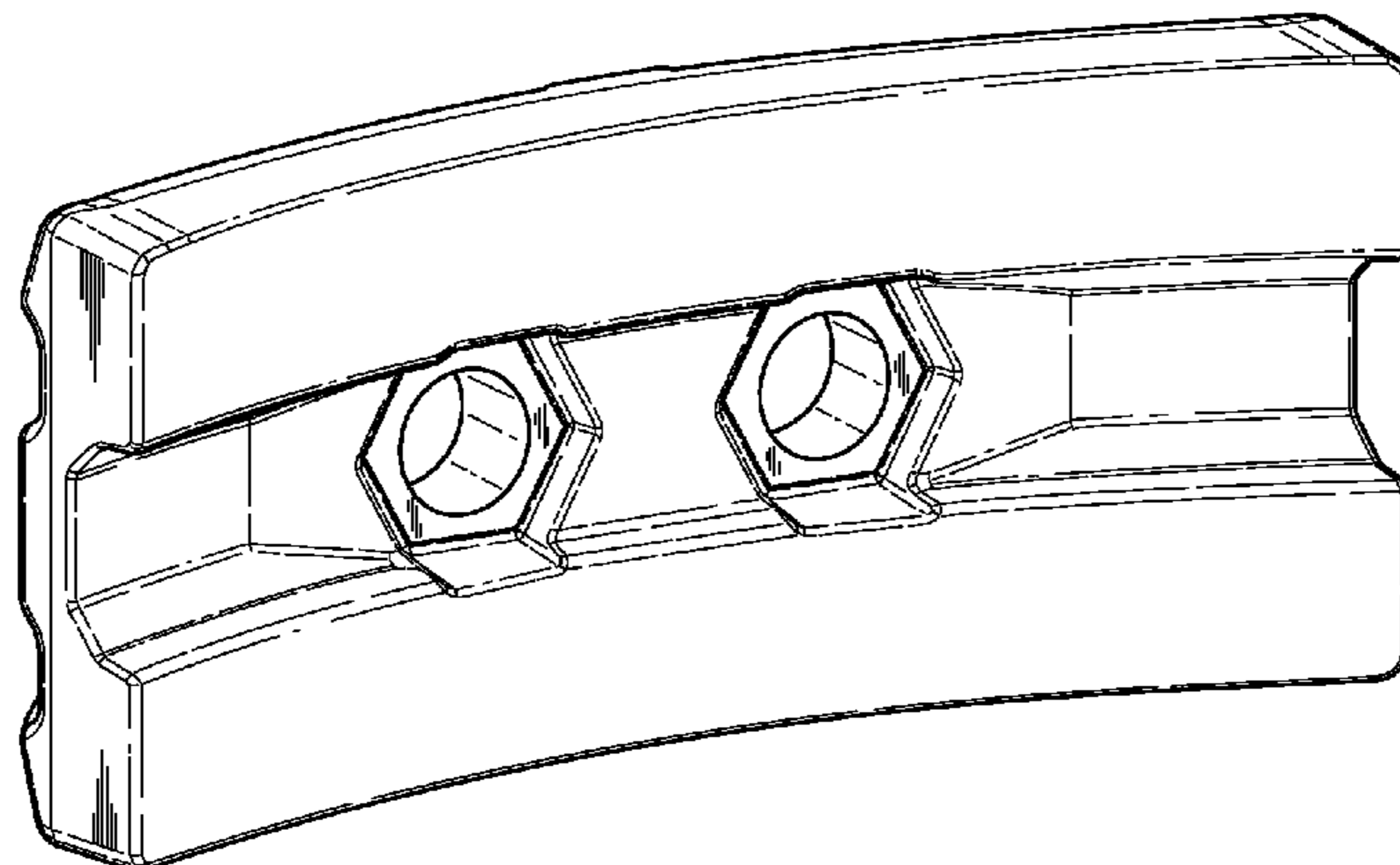
FIG. 3 is a top view of the kicker plate of FIG. 1, the bottom view being a mirror image thereof.

FIG. 4 is a right side elevation view of the kicker plate of FIG. 1, the left side elevation view being a mirror image thereof.

FIG. 5 is a front elevation view of the kicker plate of FIG. 1; and,

FIG. 6 is a rear elevation view of the kicker plate of FIG. 1.

1 Claim, 2 Drawing Sheets



US D624,940 S

Page 2

U.S. PATENT DOCUMENTS

3,554,606	A *	1/1971	Mabey et al.	299/39.4	6,962,395	B2 *	11/2005	Mouthaan	299/104
4,041,623	A *	8/1977	Miller et al.	37/382	7,300,115	B2 *	11/2007	Holl et al.	299/106
4,186,968	A *	2/1980	Barton	299/39.2	D559,279	S *	1/2008	Sakitani et al.	D15/28
4,660,890	A *	4/1987	Mills	299/104	7,338,134	B2 *	3/2008	Latham	299/87.1
4,723,867	A *	2/1988	Wirtgen	404/90	7,370,916	B2 *	5/2008	Ley et al.	299/39.2
4,818,027	A	4/1989	Simon		D591,776	S *	5/2009	Rasset et al.	D15/28
5,120,112	A *	6/1992	Kincaid	299/67	2003/0184145	A1 *	10/2003	Carson et al.	299/79.1
5,354,147	A *	10/1994	Swisher, Jr.	299/39.6	2004/0051369	A1 *	3/2004	Luciano	299/87.1
5,536,073	A *	7/1996	Sulosky et al.	299/39.8	2004/0145232	A1 *	7/2004	Sansone et al.	299/39.8
5,645,323	A *	7/1997	Beach	299/111	2005/0077776	A1 *	4/2005	Hansen et al.	299/39.8
5,647,641	A *	7/1997	Sulosky et al.	299/39.8	2008/0036271	A1 *	2/2008	Hall et al.	299/87.1
5,893,677	A *	4/1999	Haehn et al.	404/90	2009/0035064	A1 *	2/2009	Holl et al.	404/90
6,213,560	B1 *	4/2001	Lindblom	299/39.4	2009/0185859	A1 *	7/2009	Haroldsen	404/90
6,478,383	B1 *	11/2002	Ojanen et al.	299/104	2009/0289493	A1 *	11/2009	Holl et al.	299/102
6,547,484	B2 *	4/2003	Murphy	404/124					
6,619,756	B1 *	9/2003	Holl et al.	299/85.2					
6,644,755	B1 *	11/2003	Kammerer	299/104					
6,764,140	B2 *	7/2004	Carson et al.	299/79.1					

FOREIGN PATENT DOCUMENTS

JP 8003919 A 1/1996

* cited by examiner

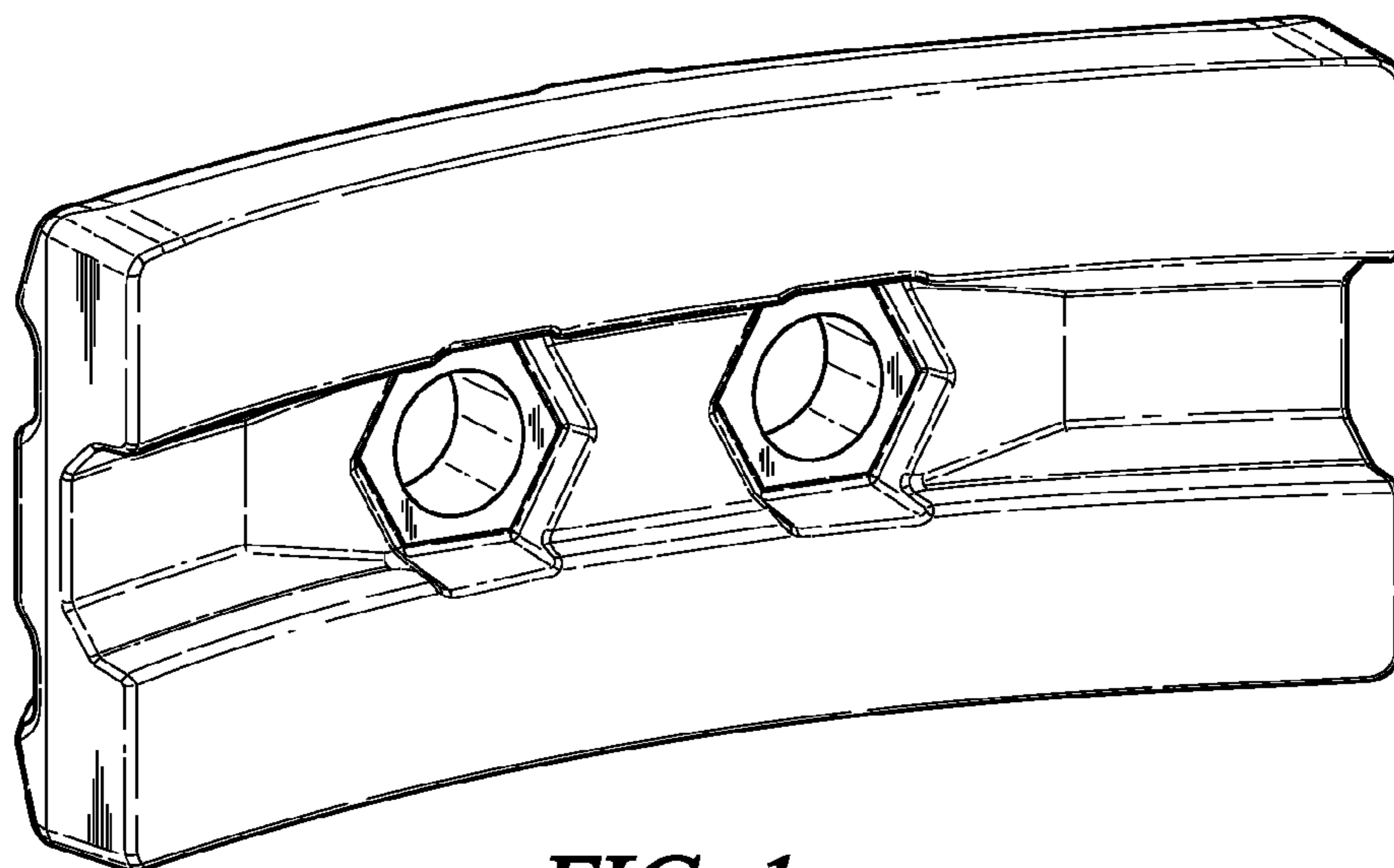


FIG. 1

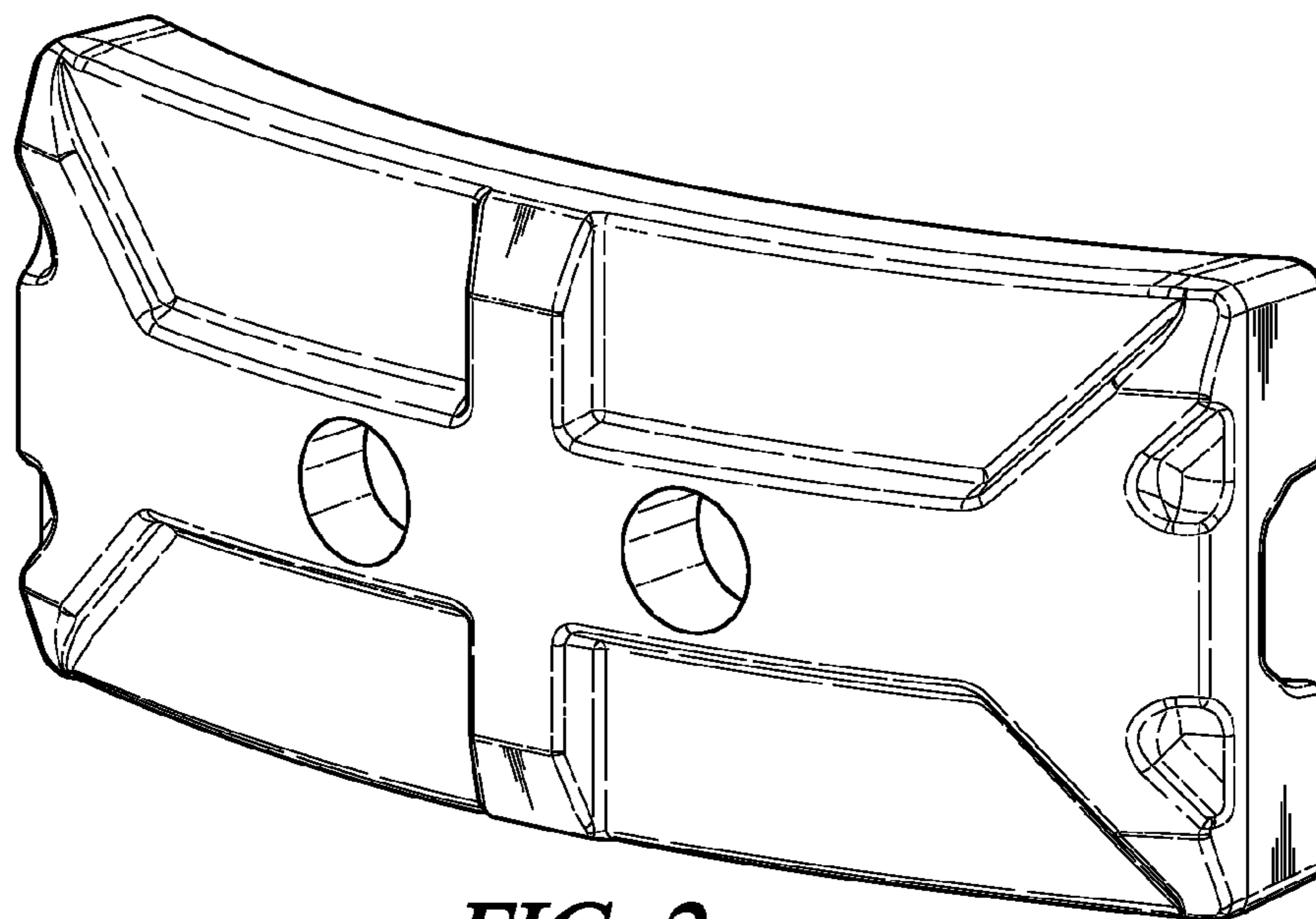


FIG. 2

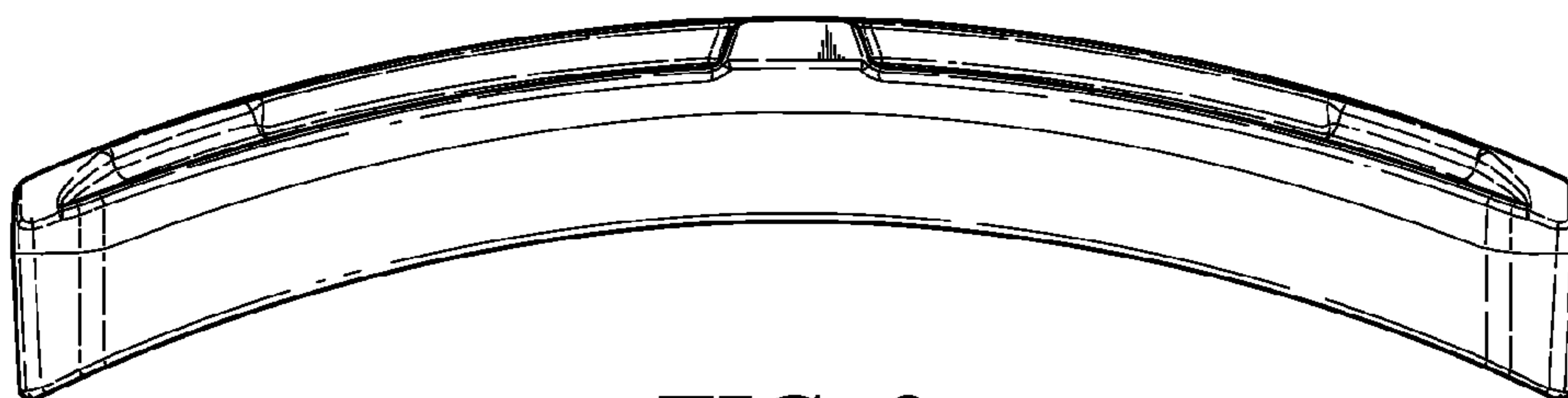


FIG. 3

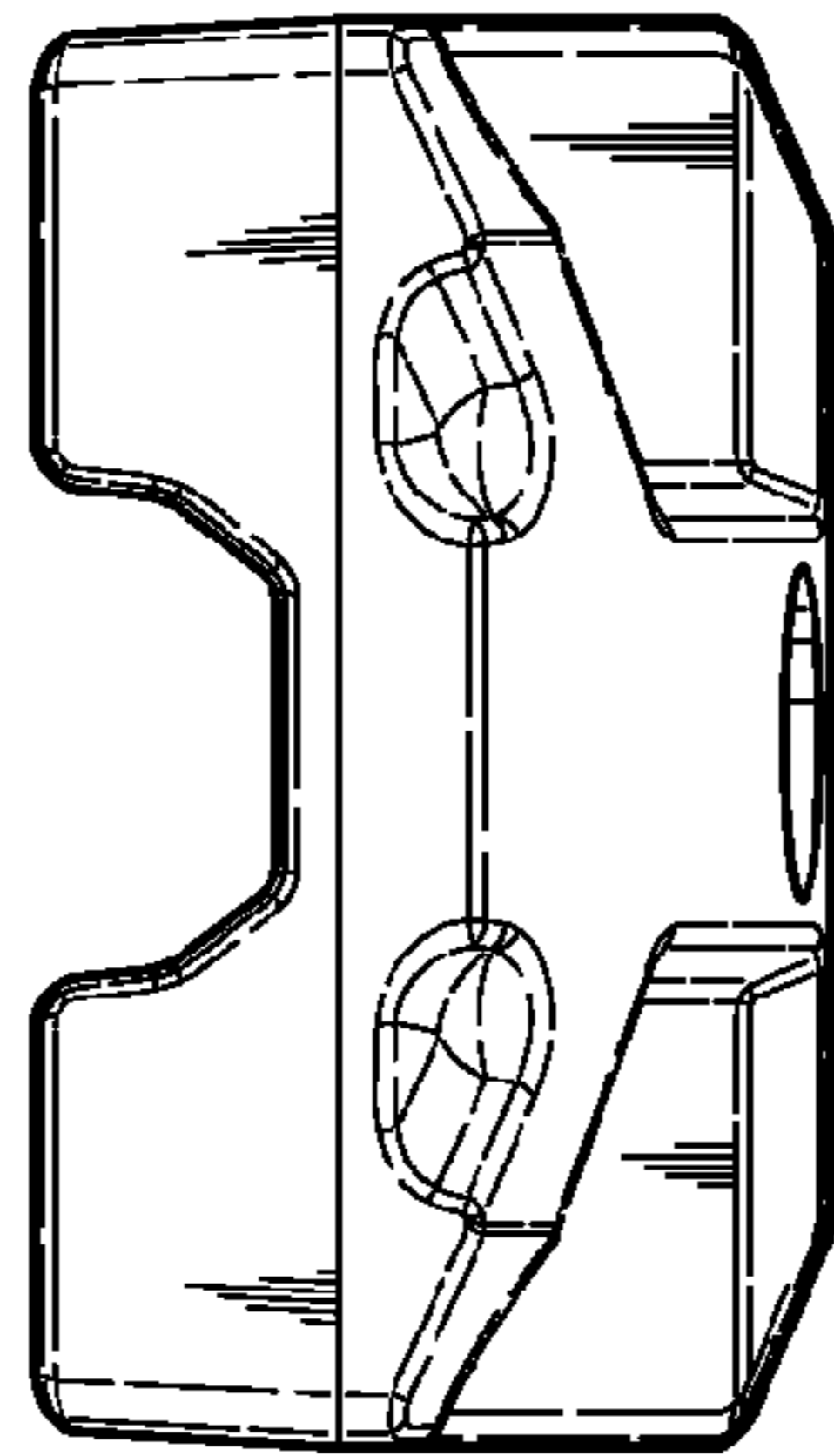


FIG. 4

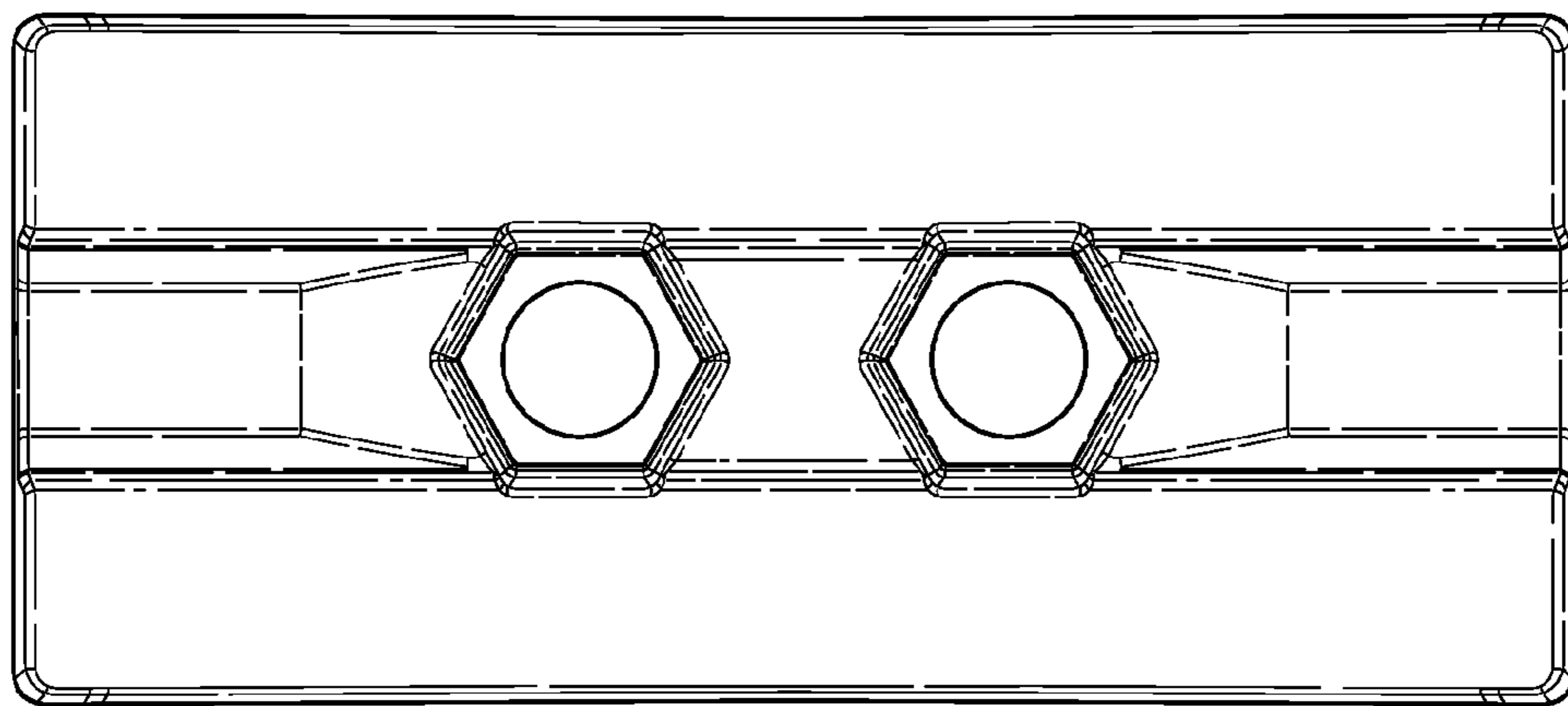


FIG. 5

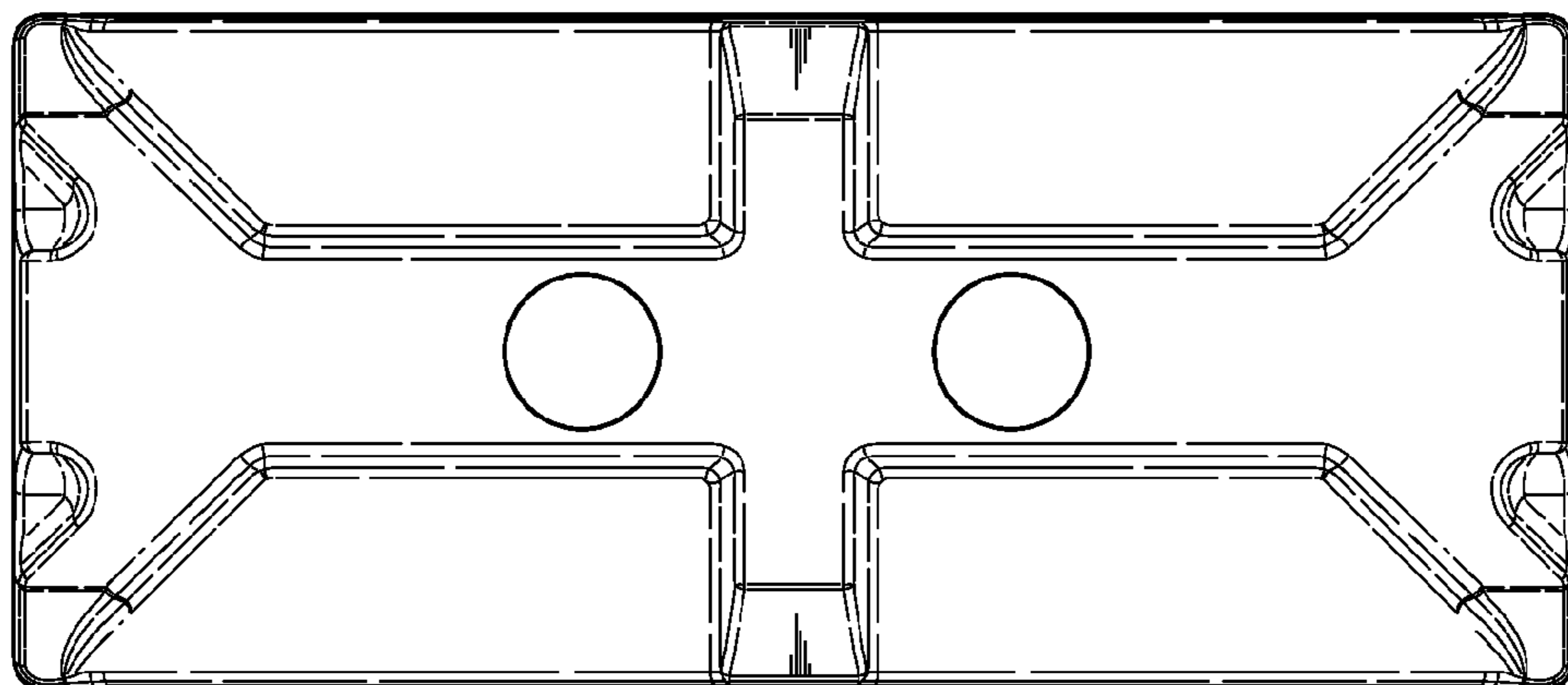


FIG. 6