



US00D624939S

(12) **United States Design Patent**
Flickinger et al.

(10) **Patent No.:** **US D624,939 S**

(45) **Date of Patent:** **** Oct. 5, 2010**

(54) **HELICAL CONCAVE**

(75) Inventors: **Wayne T. Flickinger**, Oxford, PA (US);
Herbert M. Farley, Elizabethtown, PA
(US); **Jonathan E. Ricketts**, Ephrata, PA
(US); **Joshua D. Werning**, Mt. Wolf, PA
(US)

(73) Assignee: **CNH America LLC**, New Holland, PA
(US)

(**) Term: **14 Years**

(21) Appl. No.: **29/348,237**

(22) Filed: **Dec. 11, 2009**

(51) **LOC (9) Cl.** **15-03**

(52) **U.S. Cl.** **D15/28**

(58) **Field of Classification Search** D15/10,
D15/28; 460/107-110, 46, 59, 66, 79, 80;
241/89.1, 102

See application file for complete search history.

(56) **References Cited**

U.S. PATENT DOCUMENTS

1,570,898	A *	1/1926	Landis	460/110
2,321,019	A *	6/1943	Dray	460/71
2,771,077	A *	11/1956	Karlsson et al.	460/108
3,034,513	A *	5/1962	Ausherman	460/71
4,075,823	A *	2/1978	Rowland-Hill	56/14.6
4,306,572	A *	12/1981	Campbell et al.	460/69
4,383,652	A *	5/1983	Osborne et al.	241/88.4
4,497,328	A *	2/1985	Alm et al.	460/110
4,499,908	A *	2/1985	Niehaus	460/108
4,988,326	A *	1/1991	Bennett	460/110
5,024,631	A *	6/1991	Heidjann et al.	460/75
5,057,056	A *	10/1991	Kambeitz	460/110
5,472,147	A *	12/1995	Doppstadt	241/88.4
5,613,907	A *	3/1997	Harden	460/109
5,816,911	A *	10/1998	Dwyer	460/71
6,193,604	B1 *	2/2001	Ramp et al.	460/110
6,447,394	B1 *	9/2002	Gryspeerd	460/109

6,485,364	B1 *	11/2002	Gryspeerd et al.	460/107
6,500,063	B1 *	12/2002	Gryspeerd	460/79
6,503,142	B2 *	1/2003	Imel et al.	460/107
6,530,833	B2 *	3/2003	Imel et al.	460/109
6,537,148	B2 *	3/2003	Schwersmann	460/107
7,059,961	B2 *	6/2006	Schenk	460/109
7,118,475	B2 *	10/2006	Schenk	460/109
7,166,026	B2 *	1/2007	Ricketts et al.	460/108
7,226,355	B2 *	6/2007	Schenk	460/109
7,285,043	B2 *	10/2007	Foster et al.	460/110
2002/0005034	A1 *	1/2002	Schwersmann	56/80
2002/0077162	A1 *	6/2002	Imel et al.	460/109
2005/0176483	A1 *	8/2005	Schenk	460/106
2005/0197176	A1 *	9/2005	Foster et al.	460/108
2006/0019731	A1 *	1/2006	Ricketts et al.	460/108
2006/0160587	A1 *	7/2006	Schenk	460/109
2007/0178951	A1 *	8/2007	Voss et al.	460/109
2008/0293462	A1 *	11/2008	Farley et al.	460/112
2009/0264169	A1 *	10/2009	Ricketts	460/101
2010/0018177	A1 *	1/2010	Ricketts	56/103

* cited by examiner

Primary Examiner—Mark A Goodwin

(74) *Attorney, Agent, or Firm*—Michael G. Harms; Patrick M. Sheldrake

(57) **CLAIM**

The ornamental design for a helical concave, as shown and described.

DESCRIPTION

FIG. 1 is a front right perspective view of the helical concave showing our new design;

FIG. 2 is a front view thereof;

FIG. 3 is a rear view thereof;

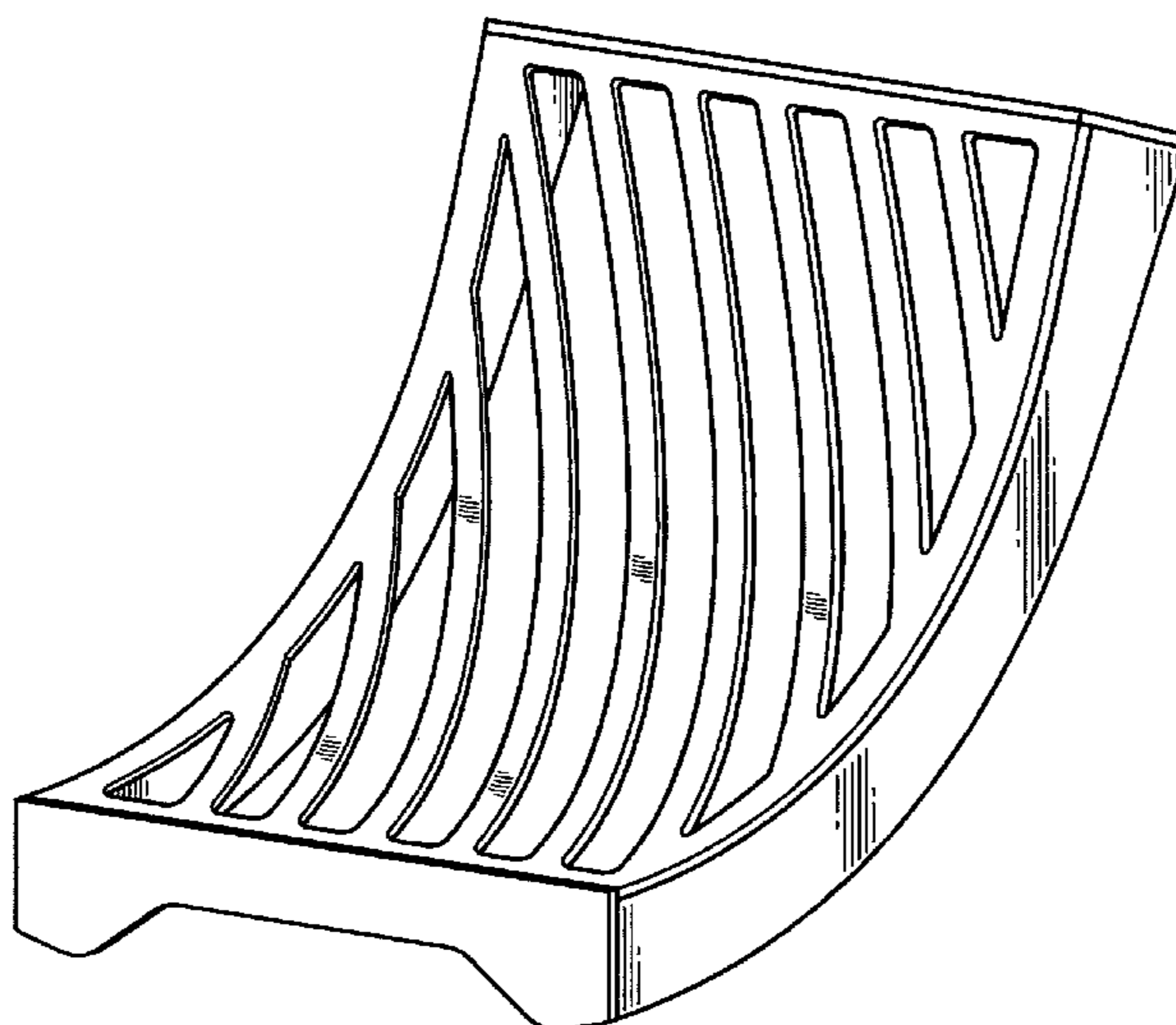
FIG. 4 is a left side view thereof;

FIG. 5 is a right side view thereof;

FIG. 6 is a top right perspective view thereof; and,

FIG. 7 is a top left perspective view thereof.

1 Claim, 4 Drawing Sheets



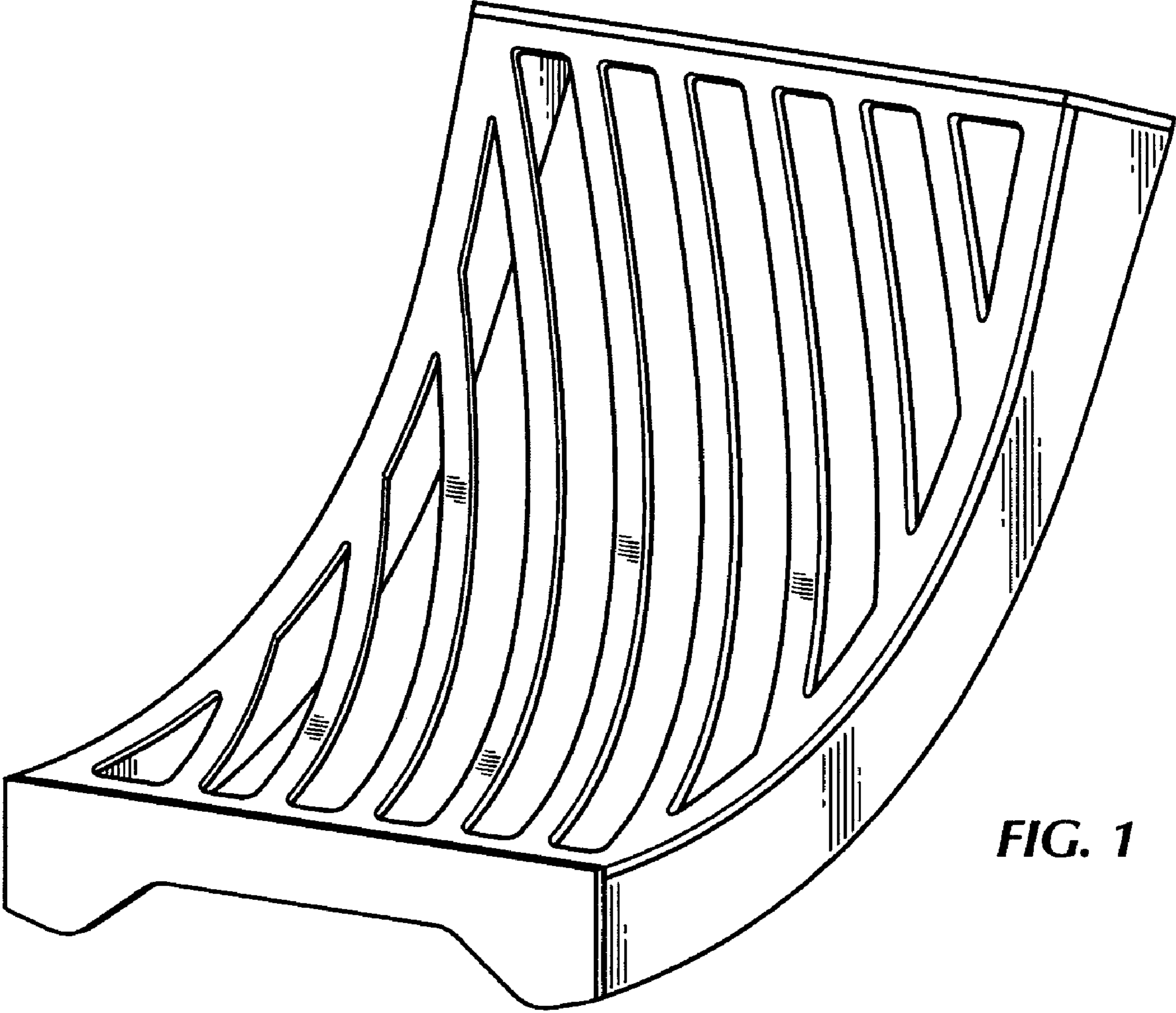


FIG. 1

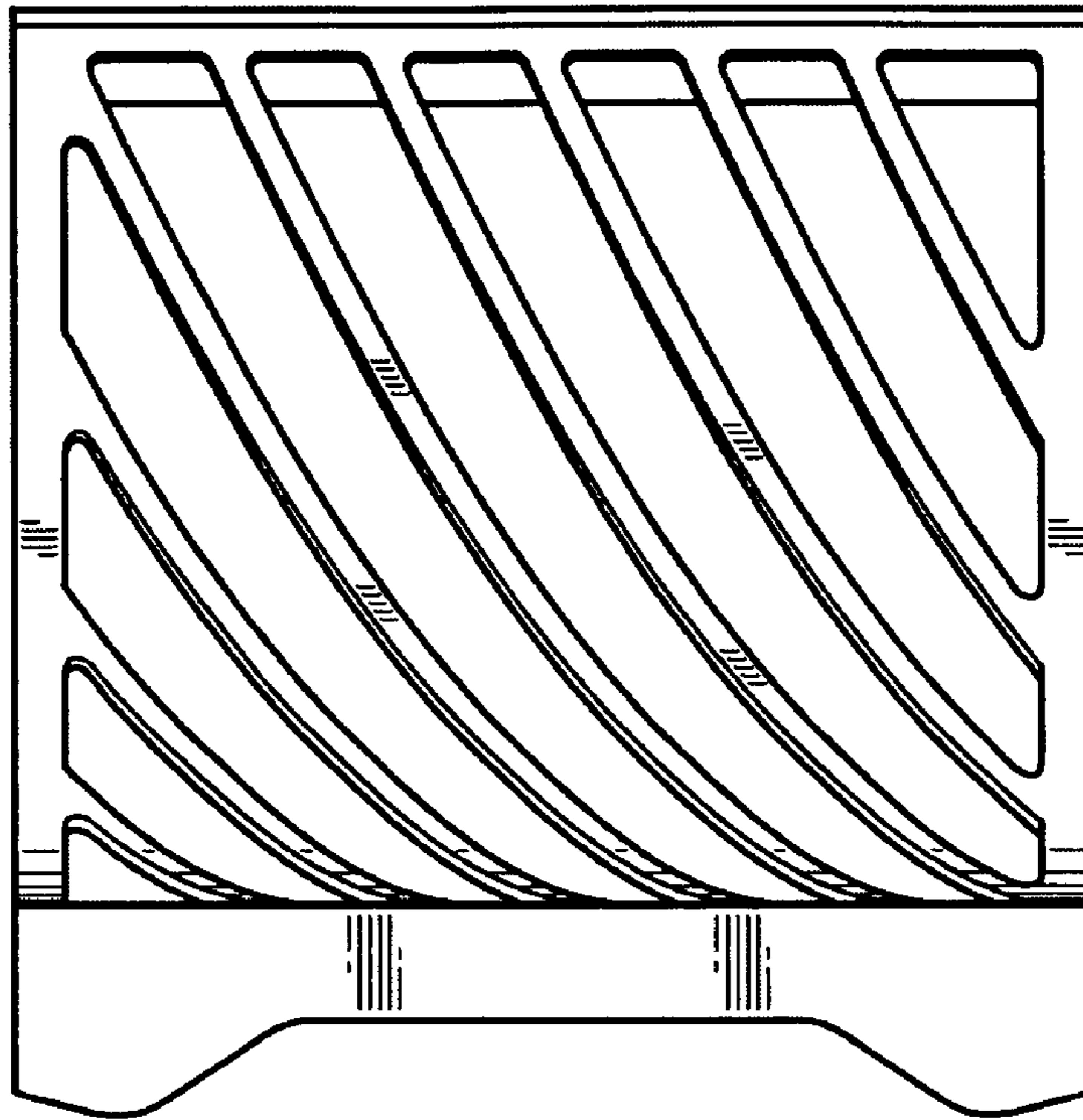


FIG. 2

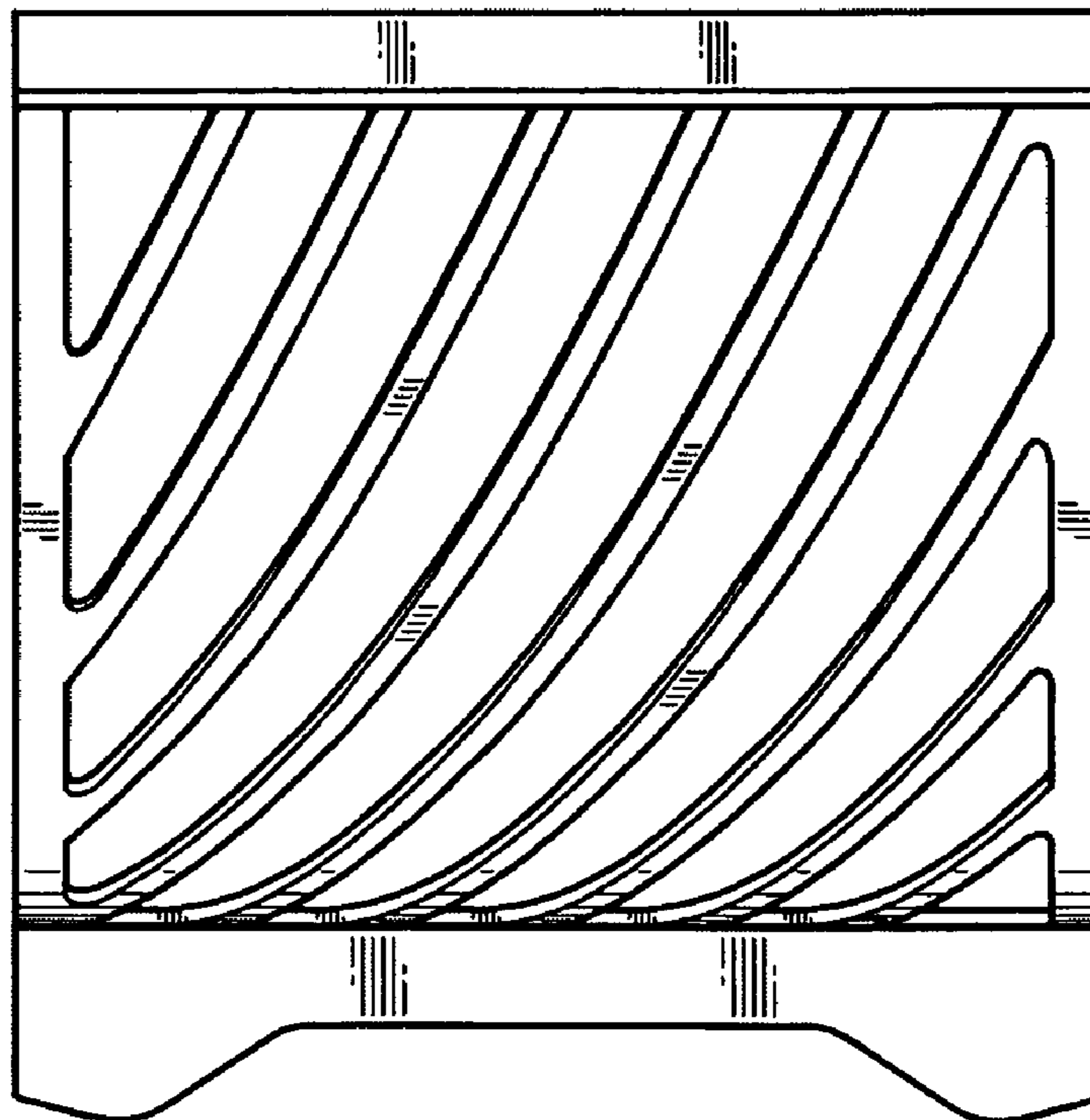


FIG. 3

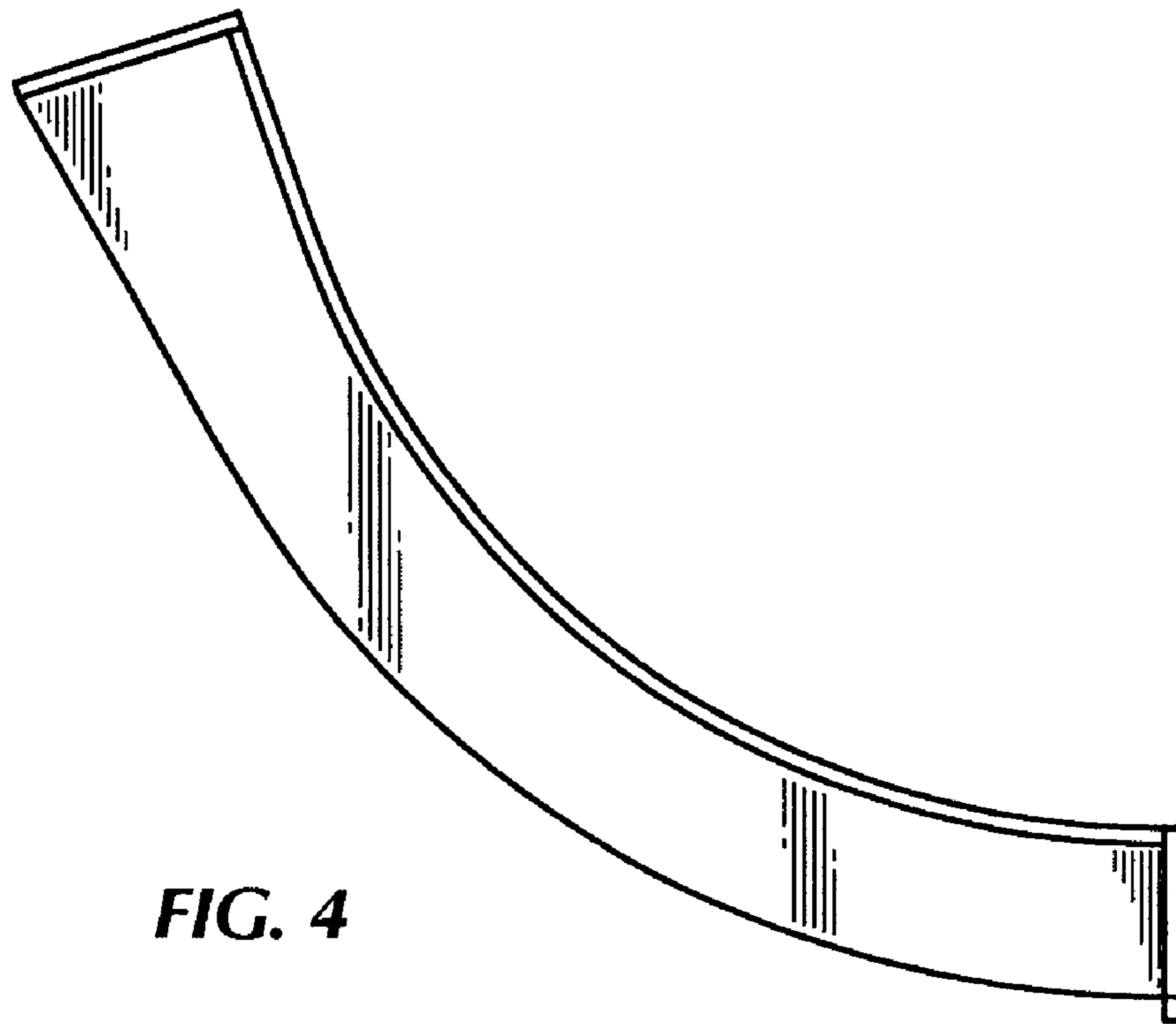


FIG. 4

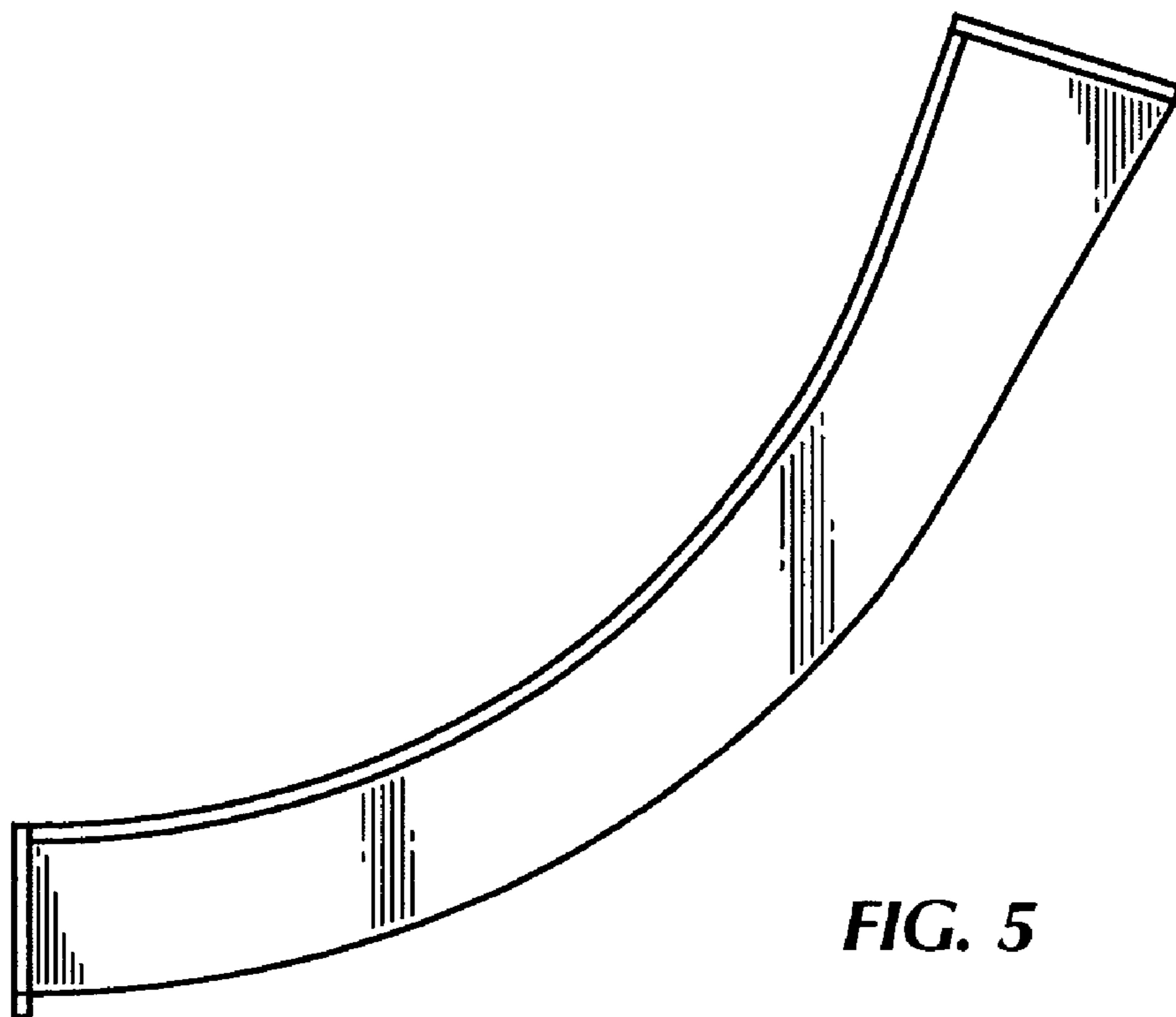


FIG. 5

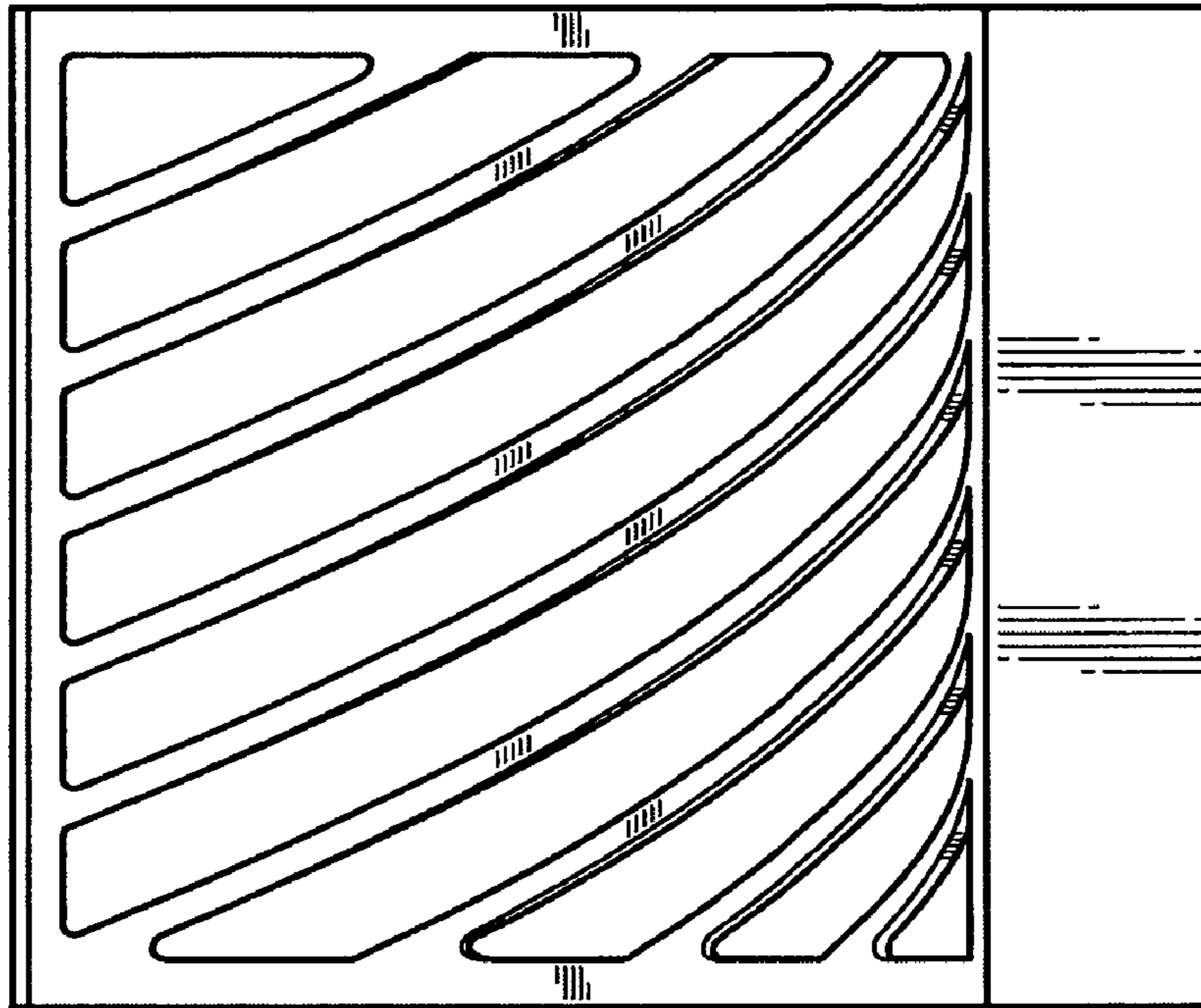


FIG. 6

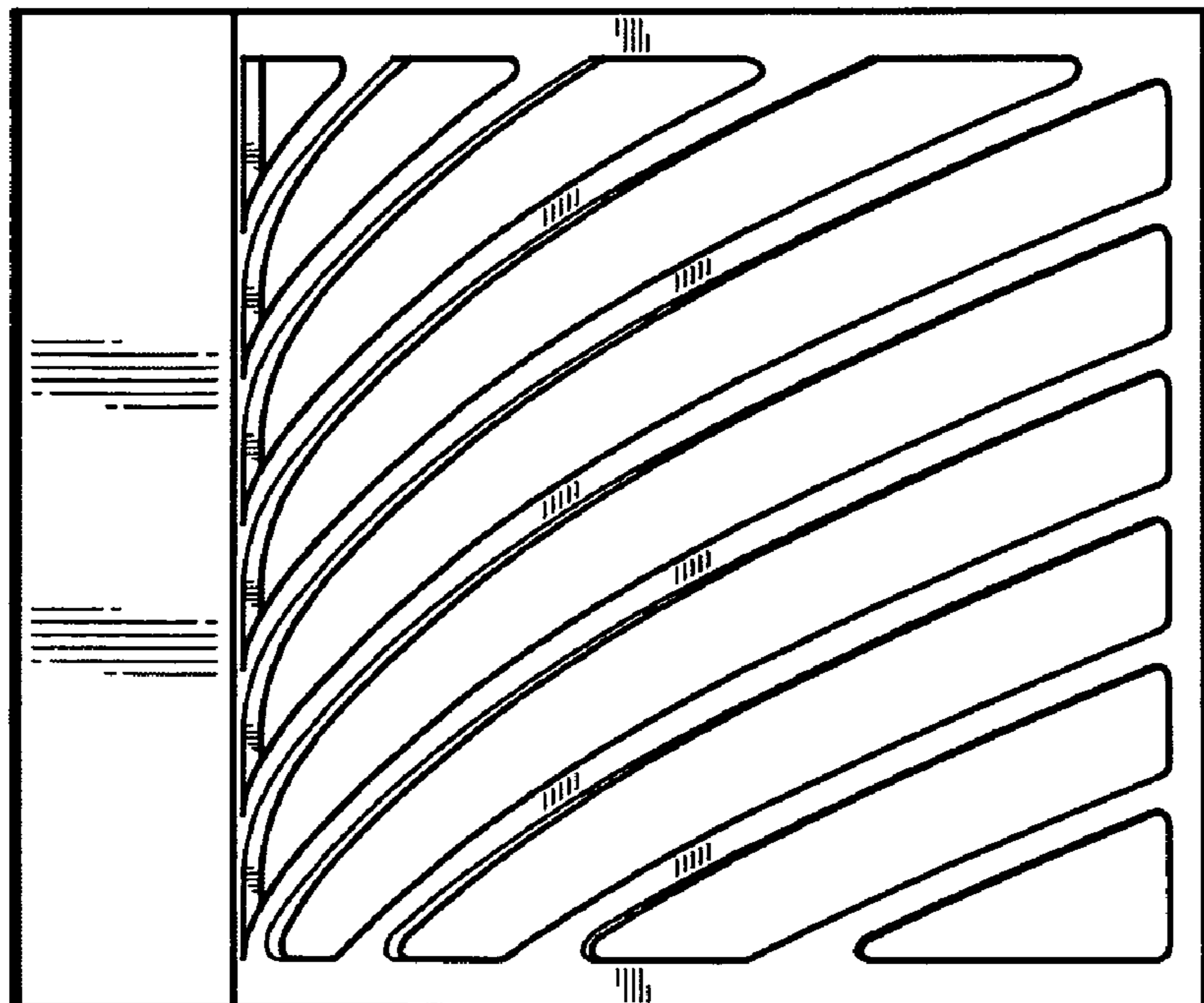


FIG. 7