



US00D624938S

(12) **United States Design Patent**  
**Kelly et al.**

(10) **Patent No.:** **US D624,938 S**

(45) **Date of Patent:** **\*\* Oct. 5, 2010**

(54) **CONCAVE DISC**

(76) Inventors: **Shane P. Kelly**, P.O. Box 200, Booleroo Centre, South Australia (AU) 5482;  
**Peter L. L. Kelly**, P.O. Box 100, Booleroo Centre, South Australia (AU) 5482

(\*\*) Term: **14 Years**

(21) Appl. No.: **29/344,882**

(22) Filed: **Oct. 6, 2009**

**Related U.S. Application Data**

(63) Continuation of application No. 11/765,182, filed on Jun. 19, 2007, now Pat. No. 7,607,489.

(51) **LOC (9) Cl.** ..... **15-03**

(52) **U.S. Cl.** ..... **D15/28; D15/29**

(58) **Field of Classification Search** ..... D15/10, D15/11, 27, 28, 29, 33; 172/579, 311, 568, 172/612, 468, 637, 662, 684.5, 689, 551, 172/576, 595, 455, 518, 527, 567, 586, 142, 172/152, 154, 178, 181, 196, 442, 440, 441, 172/314, 548, 454, 583, 140, 776, 22, 145-147, 172/175, 669

See application file for complete search history.

(56) **References Cited**

**U.S. PATENT DOCUMENTS**

|           |     |         |                |         |
|-----------|-----|---------|----------------|---------|
| 98,647    | A * | 1/1870  | Vairin         | 172/579 |
| 112,333   | A * | 3/1871  | Godfrey        | 172/518 |
| 130,451   | A * | 8/1872  | Swift          | 172/612 |
| D16,819   | S * | 7/1886  | La Dow         | D15/29  |
| D29,342   | S * | 9/1898  | McGuire et al. | D15/29  |
| 670,070   | A * | 3/1901  | Willis et al.  | 172/593 |
| 840,545   | A * | 1/1907  | Yingling       | 172/175 |
| 1,115,839 | A * | 11/1914 | Kramer         | 172/455 |
| 1,333,980 | A * | 3/1920  | Heylman        | 403/59  |
| 1,669,081 | A * | 5/1928  | Flood          | 172/588 |
| 1,698,188 | A * | 1/1929  | Cox            | 172/536 |
| 1,876,749 | A * | 9/1932  | Rea            | 172/518 |
| 2,076,693 | A * | 4/1937  | Altgelt et al. | 384/157 |

|           |      |         |                 |         |
|-----------|------|---------|-----------------|---------|
| 2,178,052 | A *  | 10/1939 | Smith           | 172/185 |
| 2,601,165 | A *  | 6/1952  | Moore           | 172/582 |
| 2,743,566 | A *  | 5/1956  | Kenneth         | 172/571 |
| 3,223,178 | A *  | 12/1965 | Jones et al.    | 172/582 |
| 3,275,087 | A *  | 9/1966  | Petitt          | 172/572 |
| 3,502,155 | A *  | 3/1970  | Priestley       | 172/570 |
| 3,576,216 | A *  | 4/1971  | Tanke           | 172/570 |
| 3,814,191 | A *  | 6/1974  | Tilbury         | 172/311 |
| 3,831,685 | A *  | 8/1974  | Birkenbach      | 172/568 |
| 3,833,067 | A *  | 9/1974  | Peterson et al. | 172/566 |
| 3,999,814 | A *  | 12/1976 | Miller          | 384/460 |
| 4,083,413 | A *  | 4/1978  | Miller          | 172/601 |
| 4,098,622 | A *  | 7/1978  | Clarke et al.   | 148/331 |
| 4,113,030 | A *  | 9/1978  | Walker          | 172/566 |
| 4,420,048 | A *  | 12/1983 | Peterson        | 172/568 |
| 4,422,512 | A *  | 12/1983 | Hodgson et al.  | 172/454 |
| 4,452,319 | A *  | 6/1984  | Miguet et al.   | 172/573 |
| 6,213,035 | B1 * | 4/2001  | Harrison        | 111/164 |

(Continued)

*Primary Examiner*—Mark A Goodwin

(74) *Attorney, Agent, or Firm*—Dale J. Ream

(57)

**CLAIM**

The ornamental design for a concave disc, as shown and described.

**DESCRIPTION**

FIG. 1 is a perspective view of a concave disc showing our new design;

FIG. 2 is a front view thereof;

FIG. 3 is a back view thereof;

FIG. 4 is a left side view thereof;

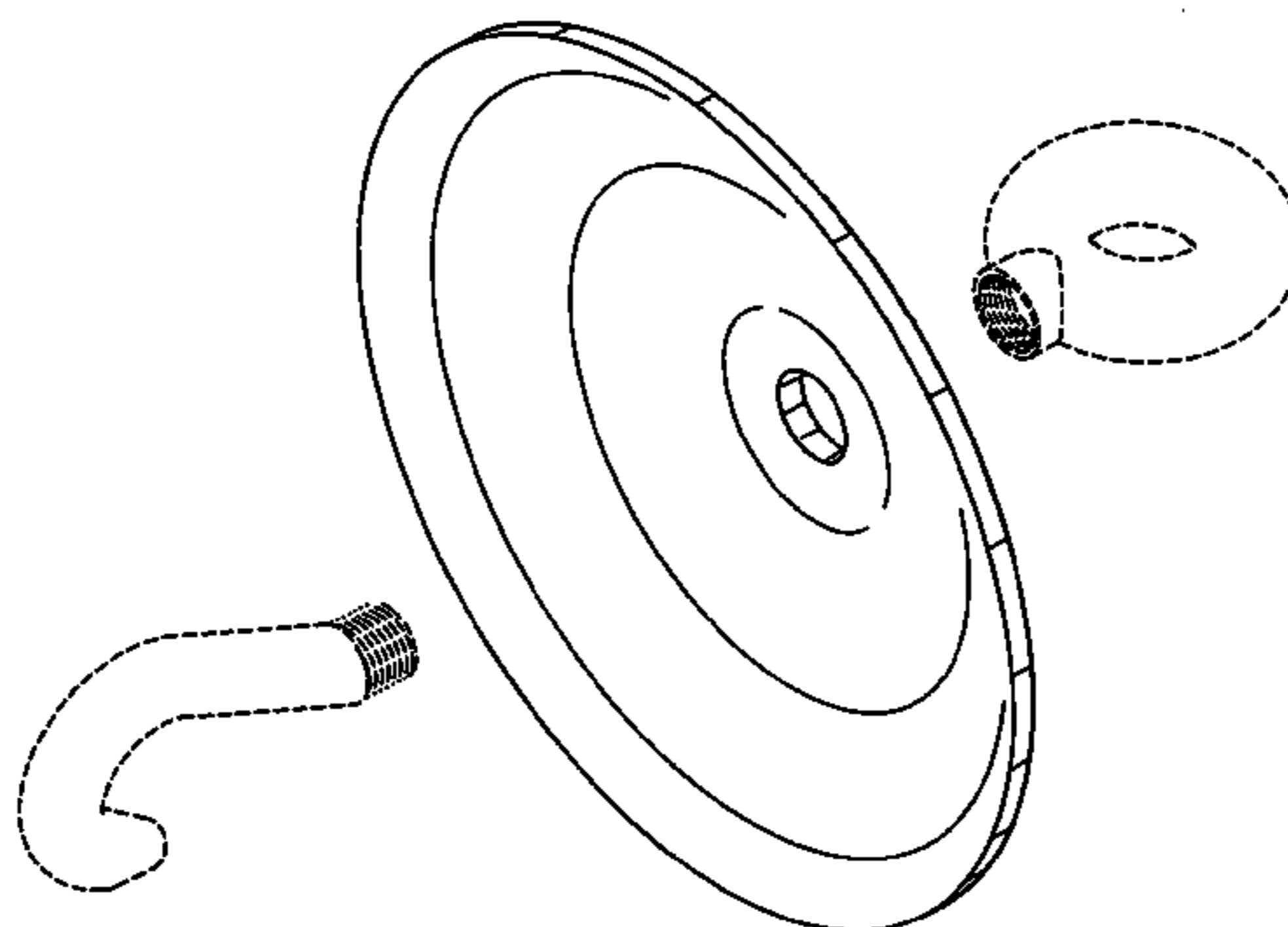
FIG. 5 is a right side view thereof;

FIG. 6 is a top view thereof; and,

FIG. 7 is a bottom view thereof.

The broken line showing of the hook and eye portion in FIGS. 1-7 is included for the purpose of illustrating environmental structure and forms no part of the claimed design.

**1 Claim, 4 Drawing Sheets**



# US D624,938 S

Page 2

---

| U.S. PATENT DOCUMENTS |      |         |                               |
|-----------------------|------|---------|-------------------------------|
| 6,378,622             | B1 * | 4/2002  | Kostrun ..... 172/604         |
| D467,944              | S *  | 12/2002 | Stark ..... D15/29            |
| D469,447              | S *  | 1/2003  | Stark ..... D15/29            |
| 6,695,069             | B2 * | 2/2004  | Rozendaal ..... 172/601       |
| 7,607,489             | B2 * | 10/2009 | Kelly et al. .... 172/579     |
| 7,631,701             | B2 * | 12/2009 | Kromminga et al. .... 172/508 |

\* cited by examiner

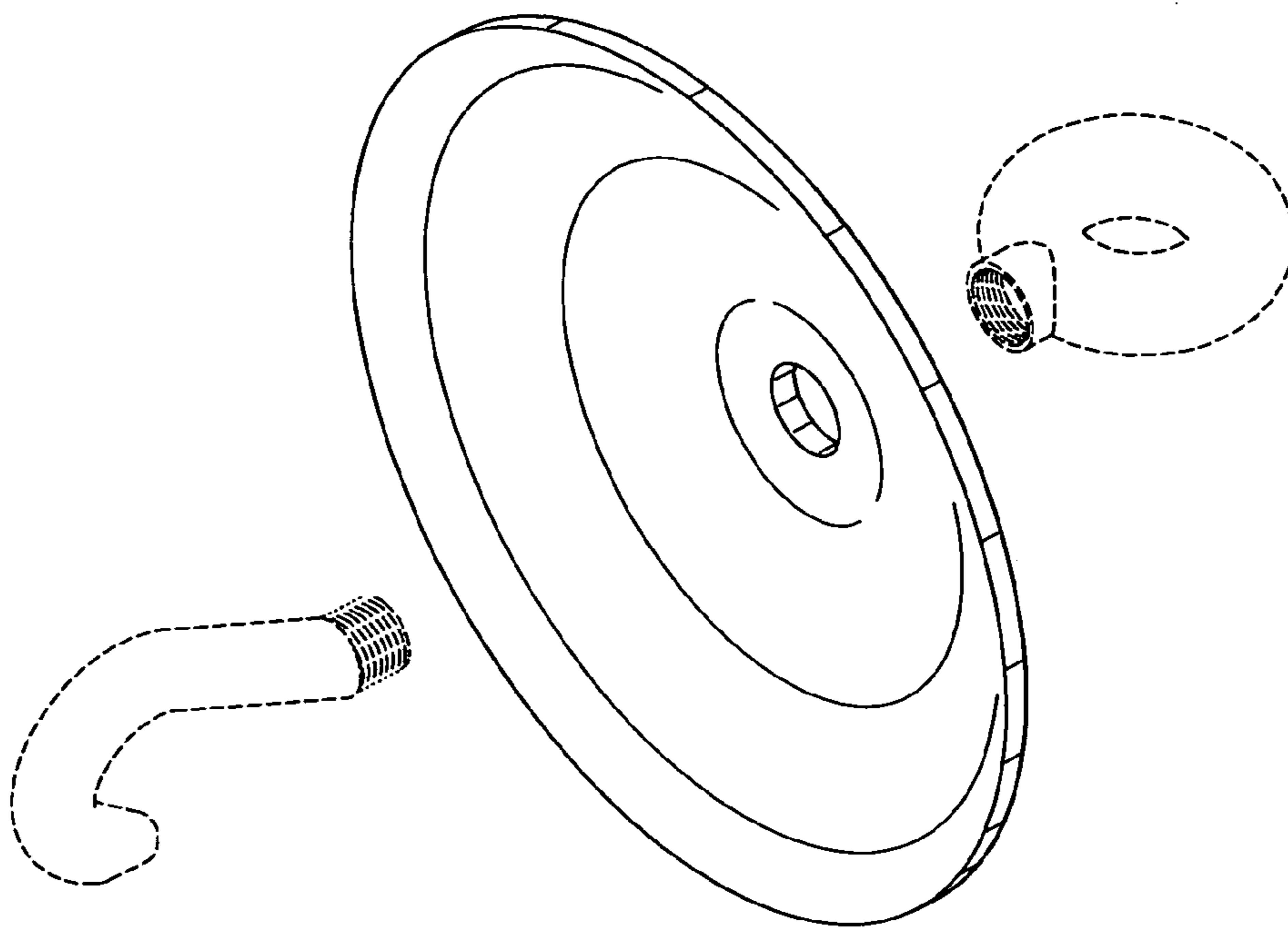


FIG. 1

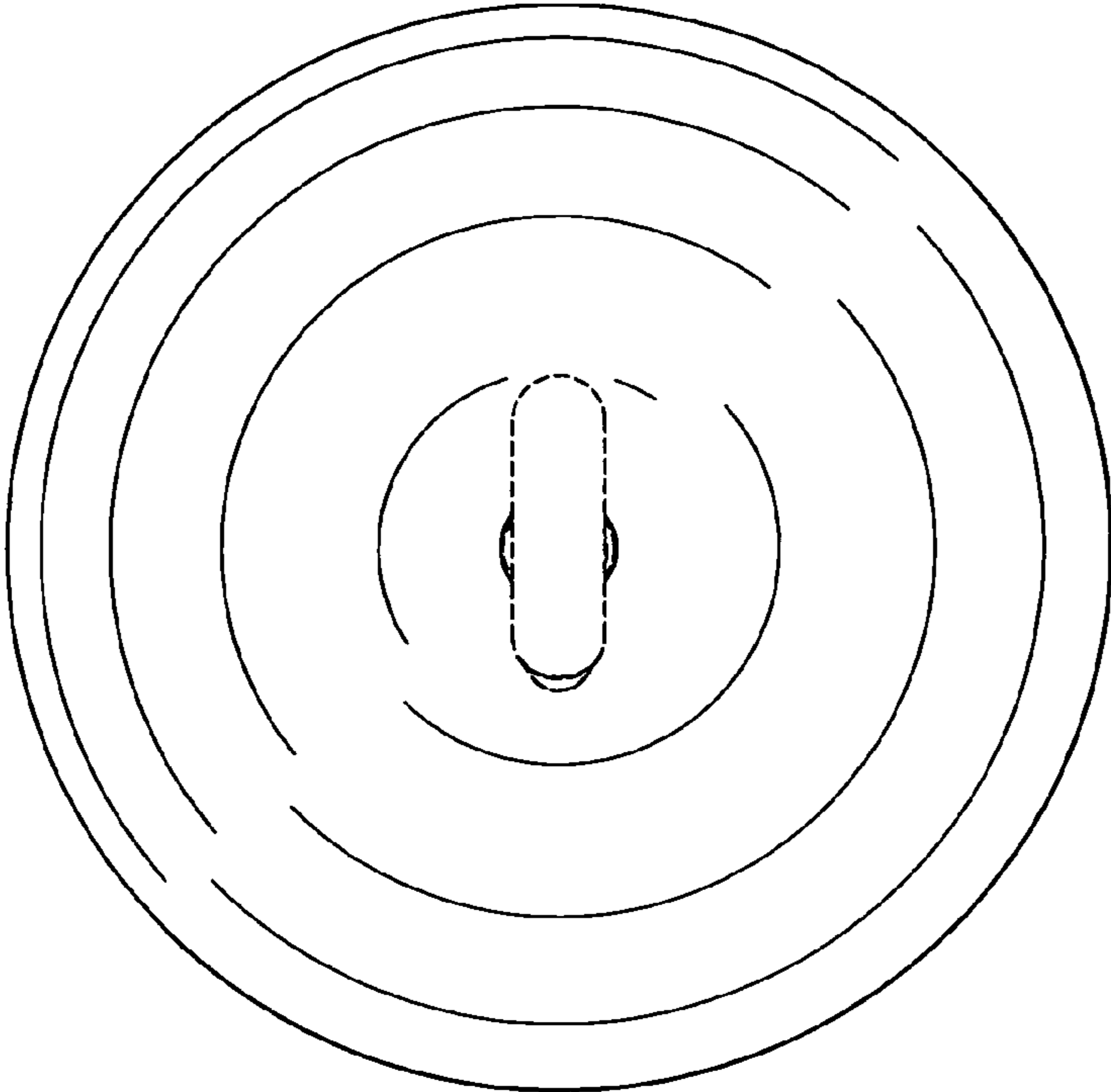


FIG. 2

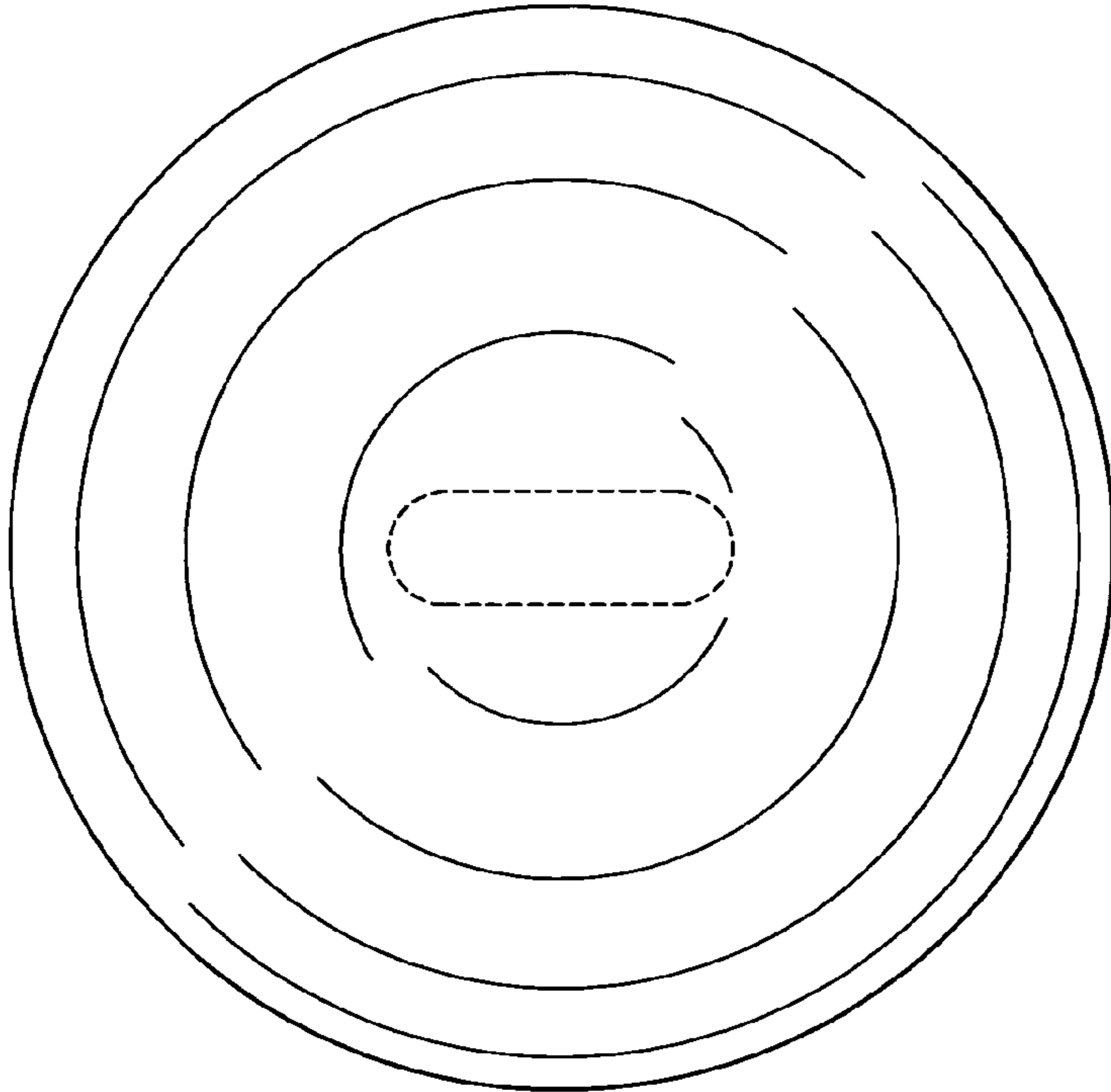


FIG. 3

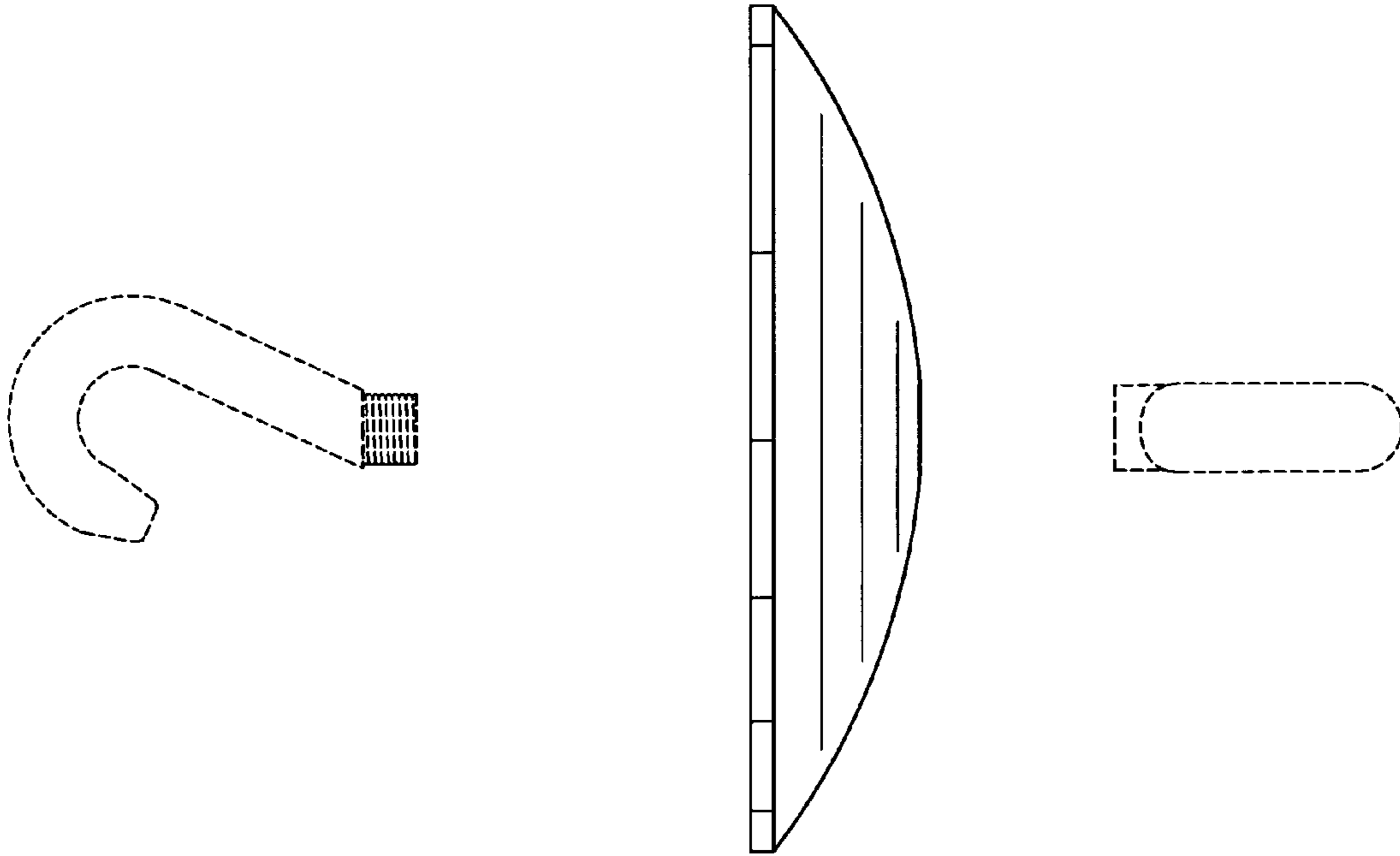


FIG. 4

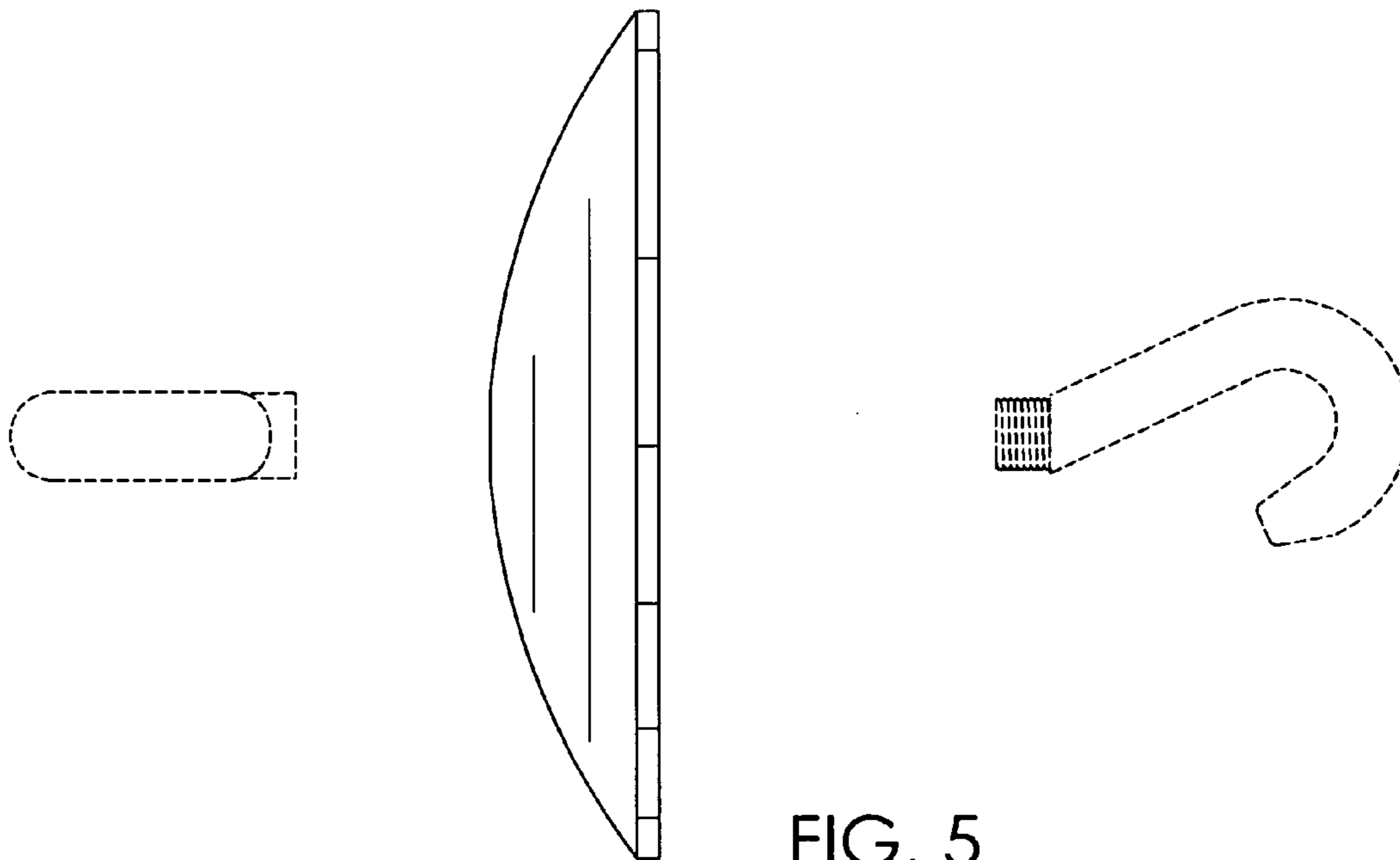


FIG. 5



FIG. 6

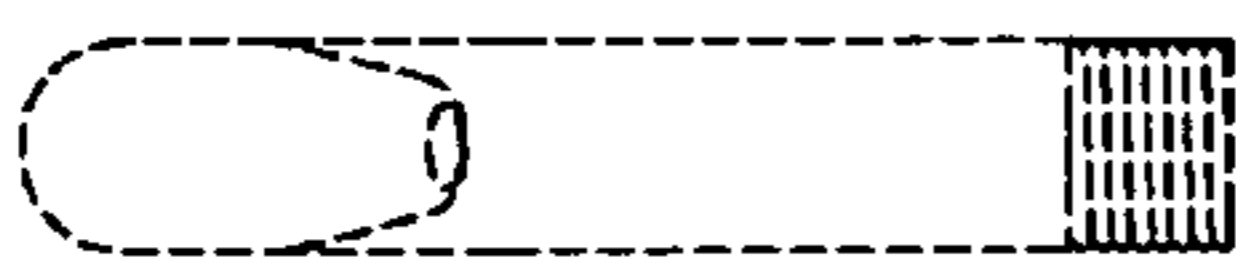
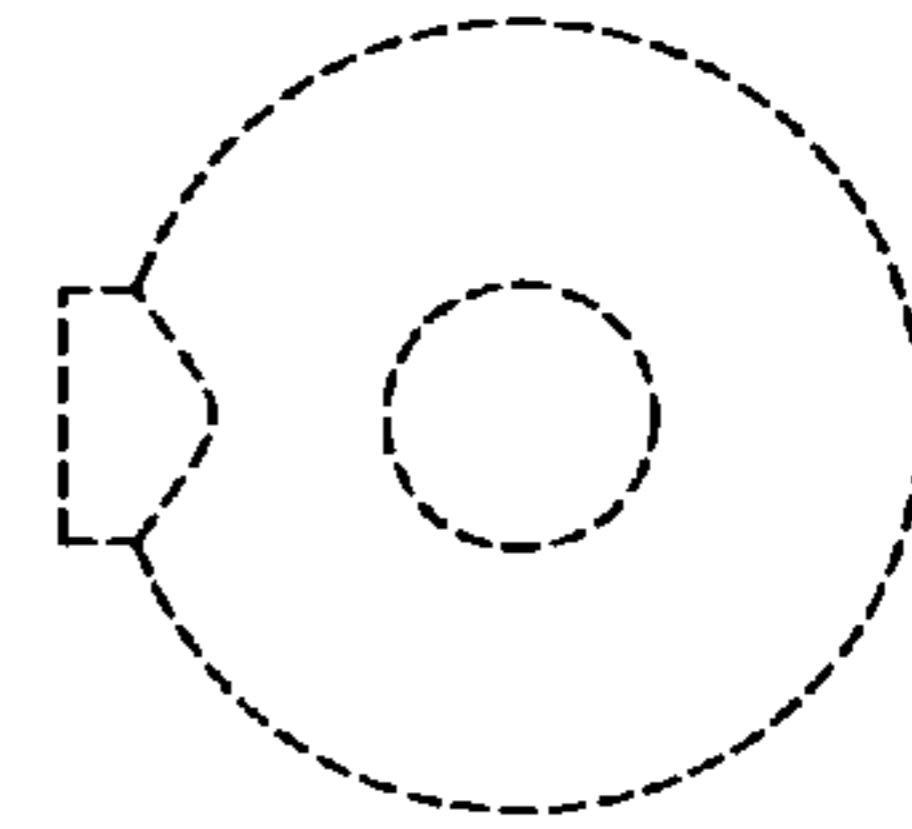
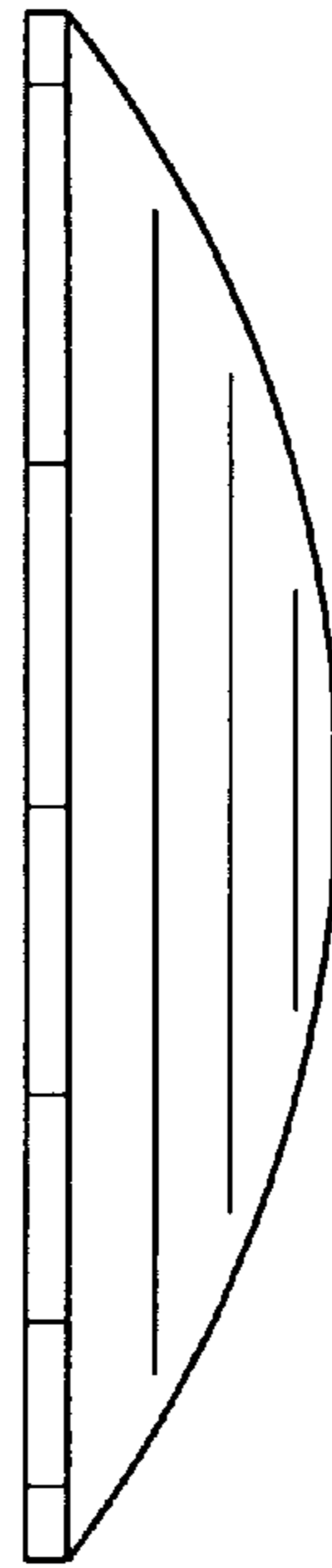


FIG. 7

