



US00D624937S

(12) **United States Design Patent**
Freeman

(10) **Patent No.:** **US D624,937 S**

(45) **Date of Patent:** **** Oct. 5, 2010**

(54) **FEEDER REEL**

(75) Inventor: **Martin Scott Freeman**, Adel, GA (US)

(73) Assignee: **Kelley Manufacturing Co.**, Tifton, GA (US)

(**) Term: **14 Years**

(21) Appl. No.: **29/339,528**

(22) Filed: **Jul. 1, 2009**

(51) **LOC (9) Cl.** **15-03**

(52) **U.S. Cl.** **D15/28**

(58) **Field of Classification Search** D15/21,
D15/28, 29, 16, 32; 56/119, 14.5, 94, 400.01,
56/400.21; 172/540

See application file for complete search history.

(56) **References Cited**

U.S. PATENT DOCUMENTS

62,904	A *	3/1867	Svanson	172/241
2,171,075	A *	8/1939	Blazier	15/79.2
2,463,061	A *	3/1949	Small	56/364
3,118,265	A *	1/1964	Shaver	56/14.4
3,233,395	A *	2/1966	Dahl et al.	56/192
D205,780	S *	9/1966	van der Lely	D15/26
3,314,095	A *	4/1967	Prange	15/104.2
3,785,132	A *	1/1974	Wilson	56/364
3,807,153	A *	4/1974	Barkstroma et al.	56/226
4,408,618	A *	10/1983	Witzel	460/80
4,897,183	A *	1/1990	Lewis et al.	209/235
5,040,617	A *	8/1991	Bussiere	172/554
D337,122	S *	7/1993	Gullickson	D15/28
5,540,004	A *	7/1996	Patterson et al.	37/244

5,806,292	A *	9/1998	Luecke	56/119
5,806,685	A *	9/1998	Lastinger	209/678
6,467,432	B1 *	10/2002	Lewis et al.	119/442
6,712,691	B2 *	3/2004	McLeod	460/12
7,172,032	B2 *	2/2007	McKinley et al.	172/21
2001/0003240	A1 *	6/2001	Ferraris	56/220
2003/0041583	A1 *	3/2003	Sheedy et al.	56/364
2007/0028580	A1 *	2/2007	Glazik et al.	56/220

* cited by examiner

Primary Examiner—Mark A Goodwin

(74) *Attorney, Agent, or Firm*—Smith, Gambrell & Russell

(57) **CLAIM**

The ornamental design for a feeder reel, as shown and described.

DESCRIPTION

FIG. 1 is a perspective view of a feeder reel showing my new design;

FIG. 2 is a side elevation view thereof;

FIG. 3 is an enlarged end view thereof;

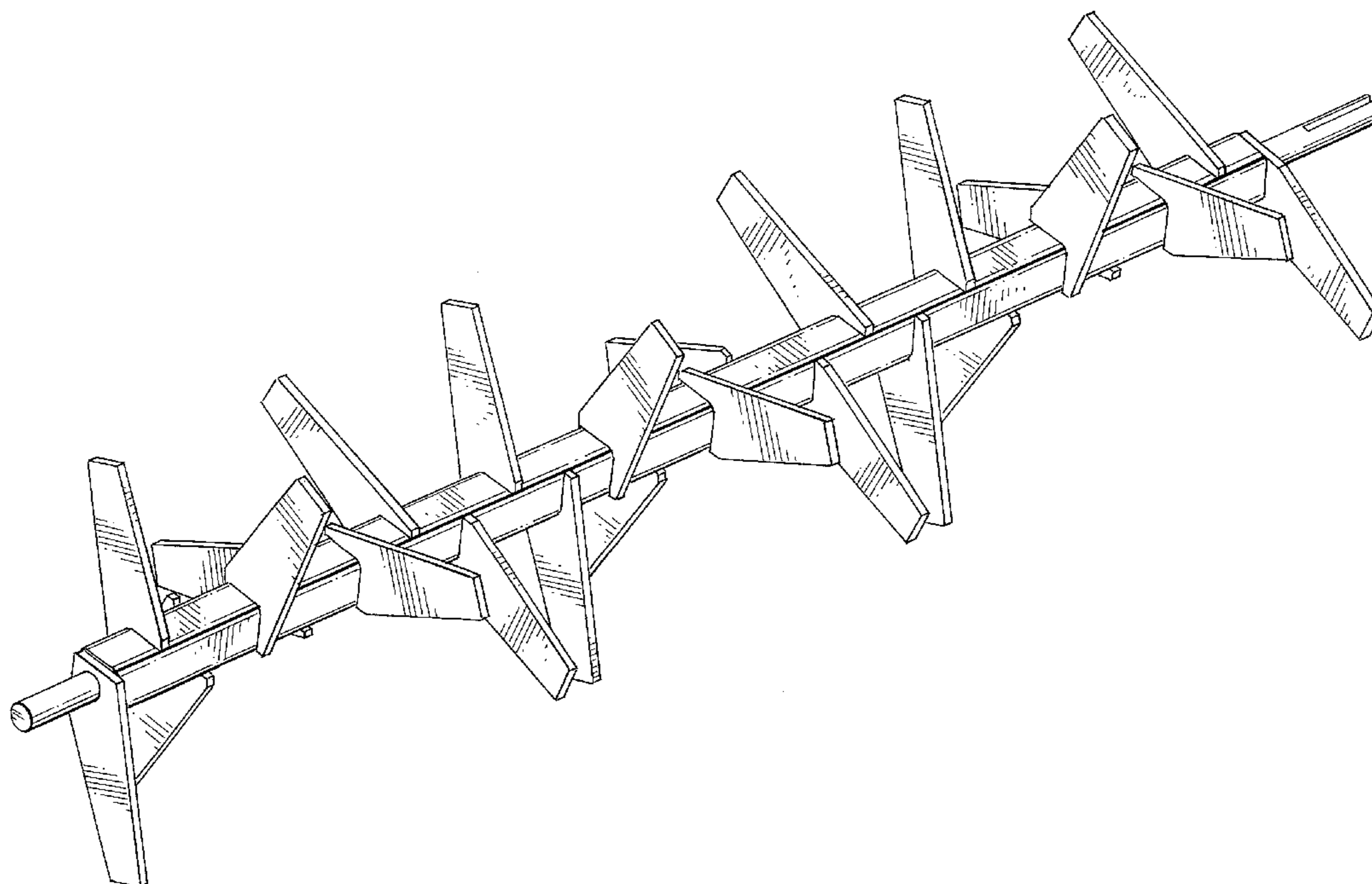
FIG. 4 is an enlarged opposite end view thereof;

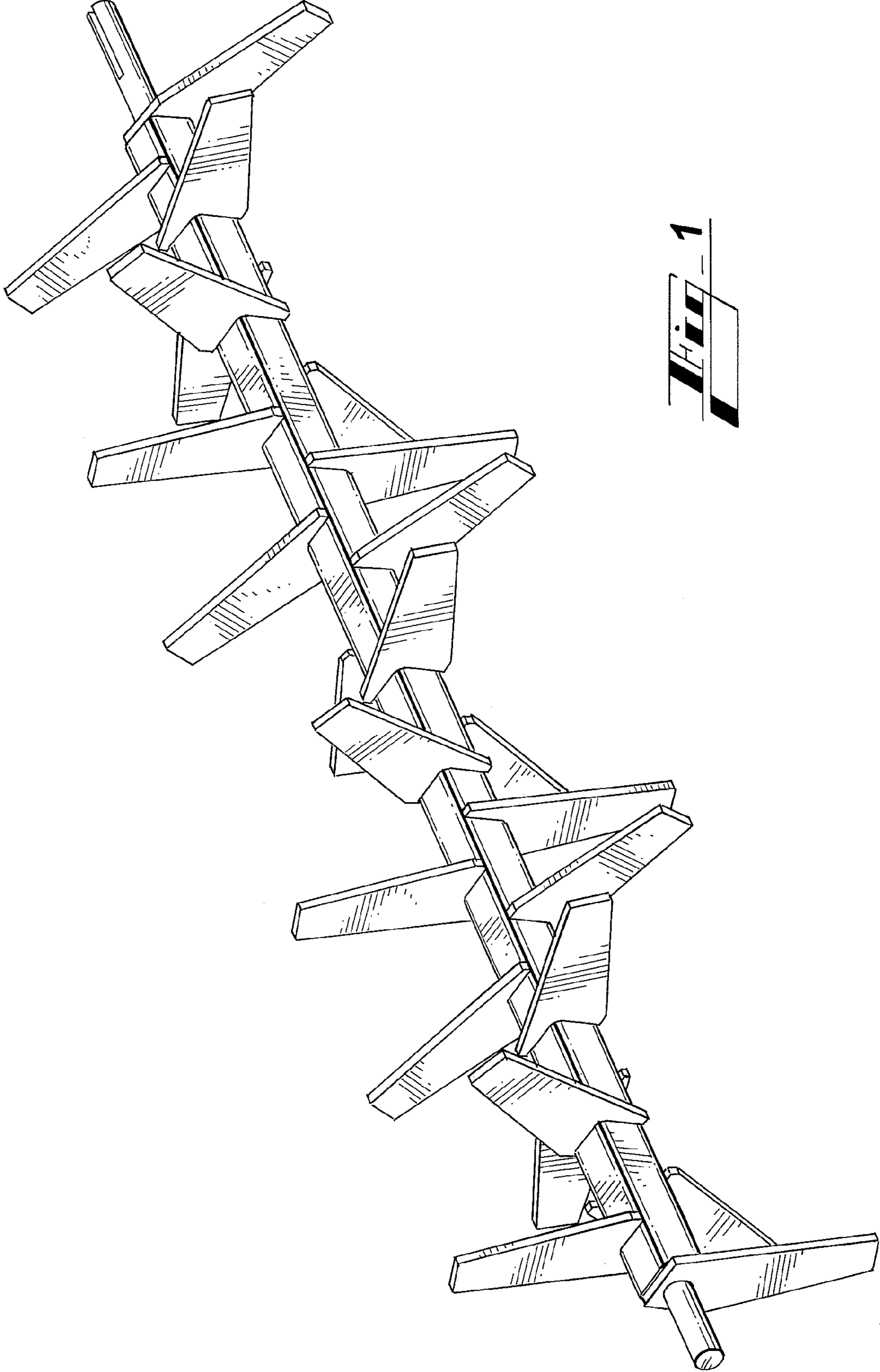
FIG. 5 is a reduced perspective view thereof shown in use condition; and,

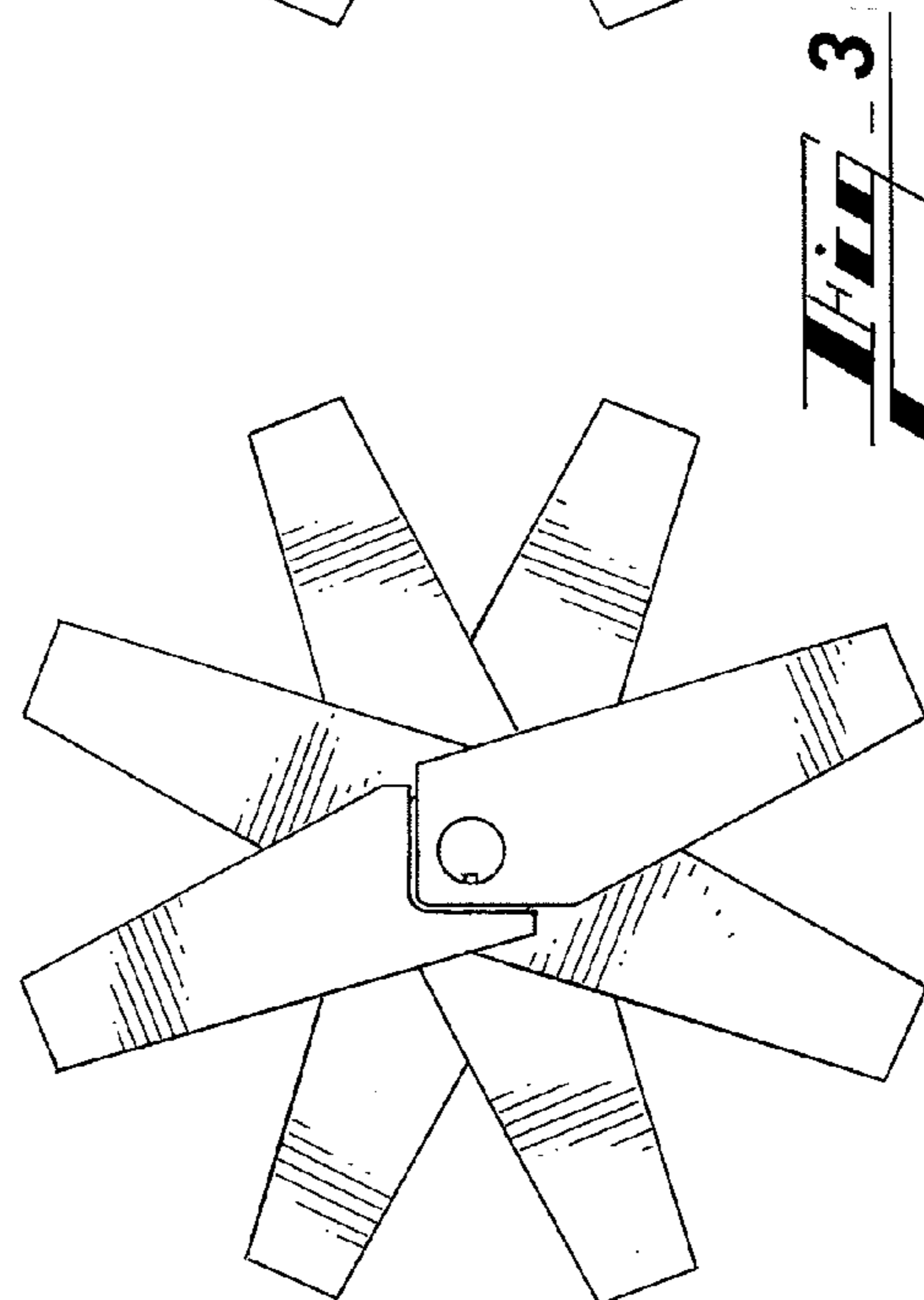
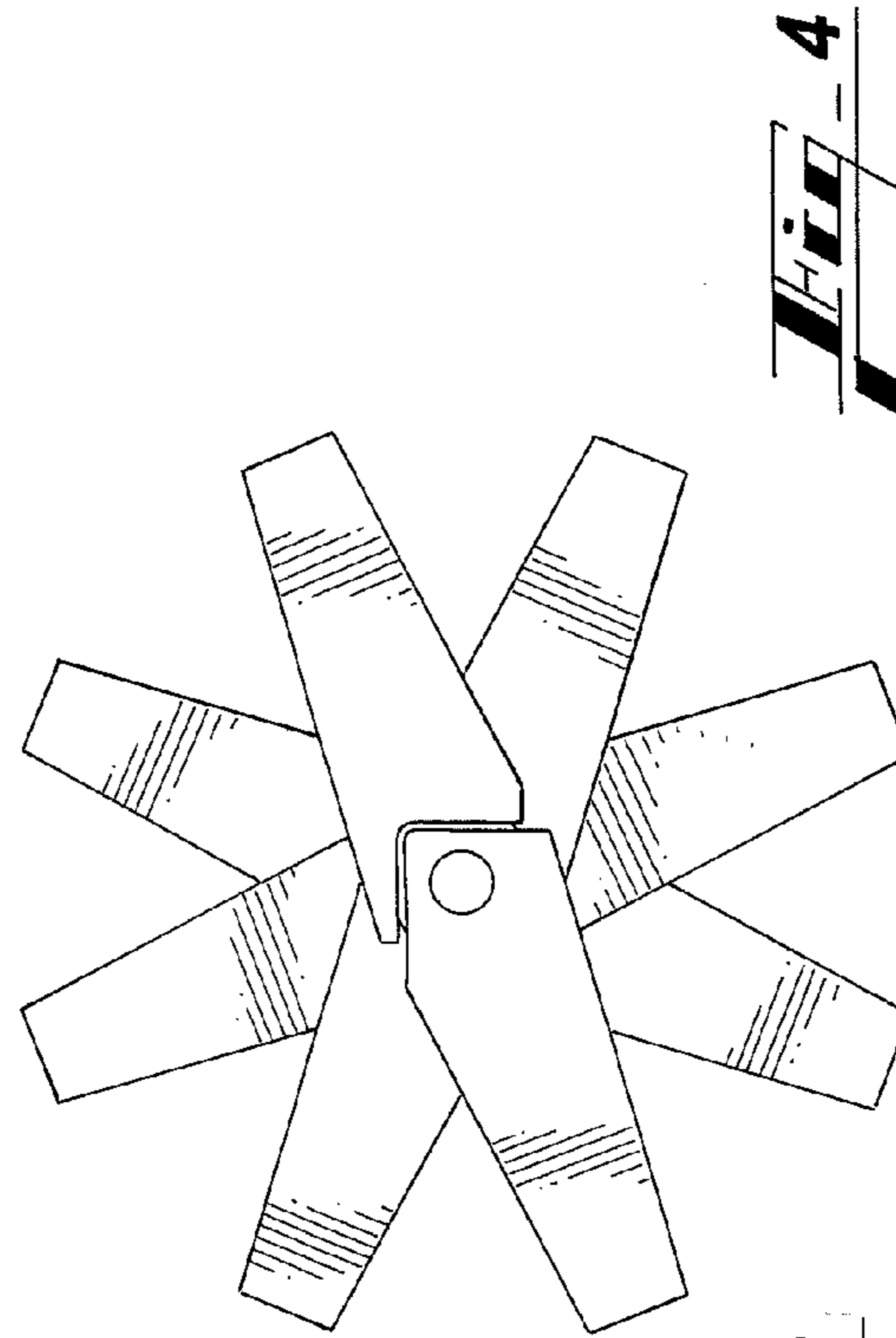
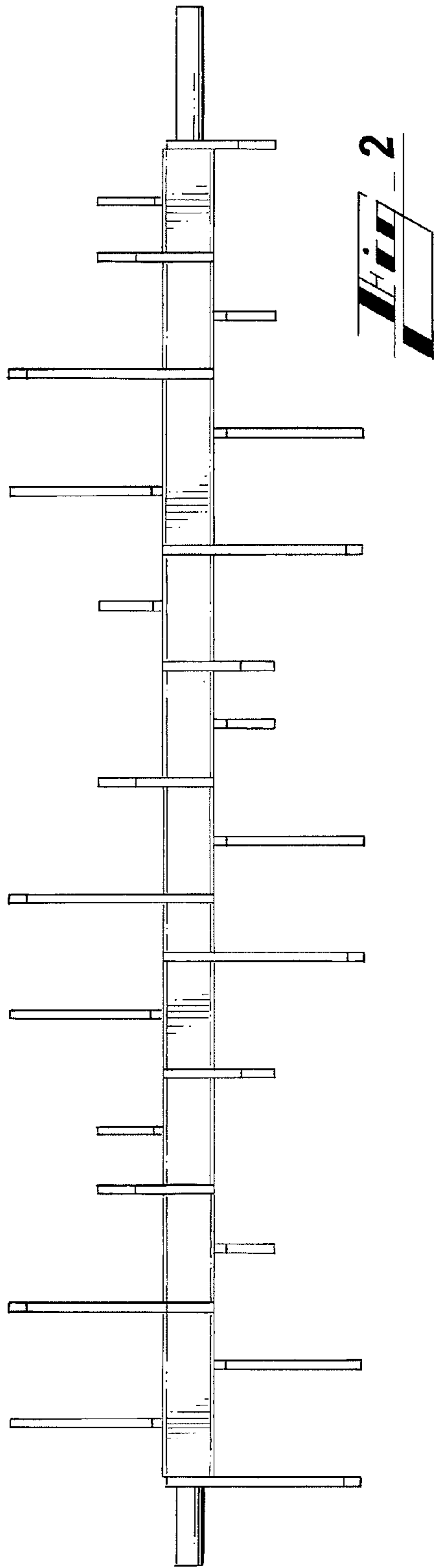
FIG. 6 is an enlarged perspective view of the front portion of FIG. 5.

The broken line showing of a machine in FIGS. 5 and 6 is included for the purpose of illustrating environmental structure and forms no part of the claimed design.

1 Claim, 4 Drawing Sheets







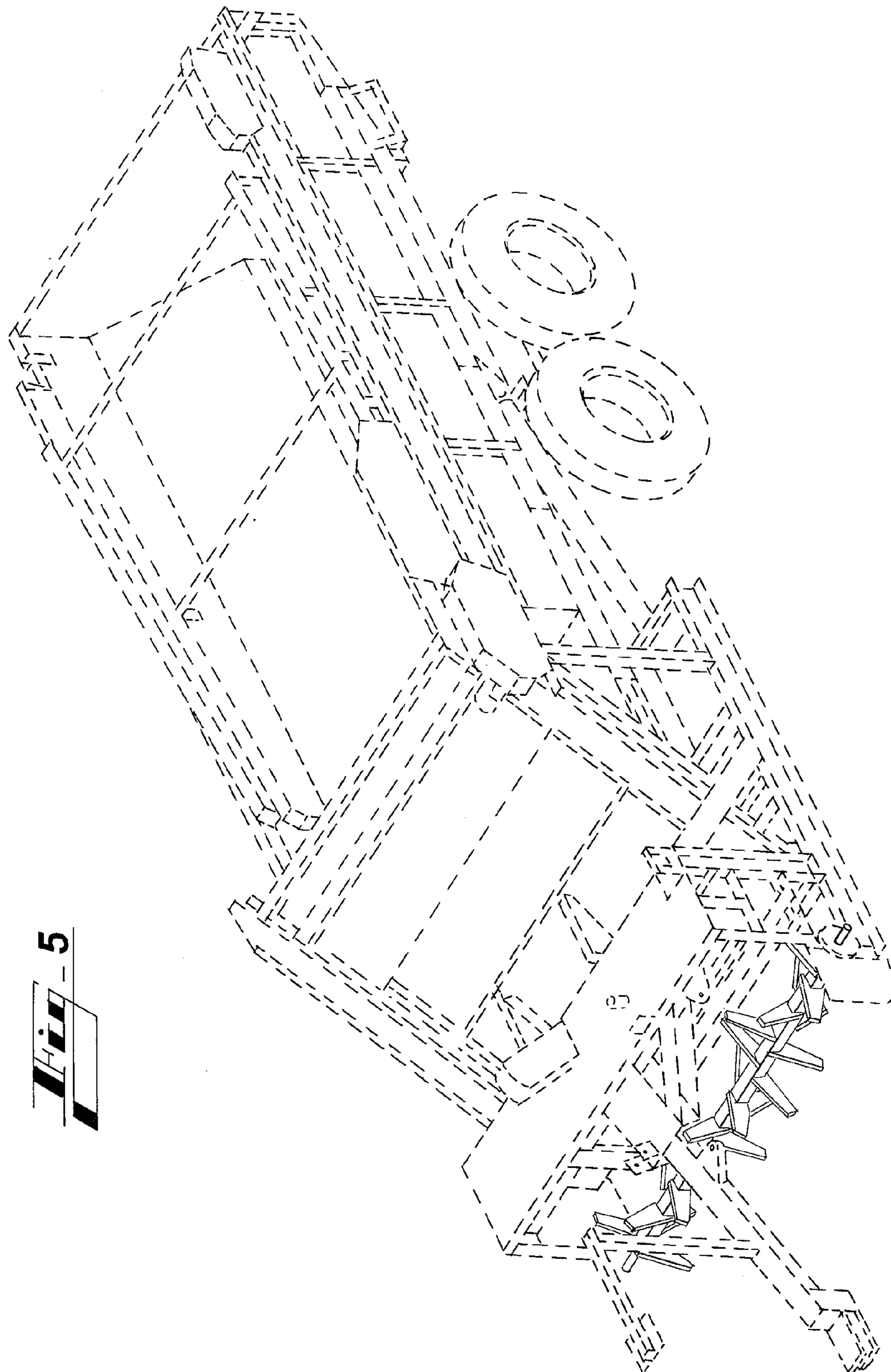


Fig. 5

