



US00D624936S

(12) **United States Design Patent**
Houghton

(10) **Patent No.:** **US D624,936 S**

(45) **Date of Patent:** **** Oct. 5, 2010**

(54) **INFLATOR**

D588,164 S * 3/2009 Steinfels D15/9
D588,165 S * 3/2009 Steinfels et al. D15/9

(75) Inventor: **Stephen Houghton**, Newcastle upon Tyne (GB)

FOREIGN PATENT DOCUMENTS

(73) Assignee: **Black & Decker Inc.**, Newark, DE (US)

DE	20100007	4/2001
DE	102004032743	7/2003
DE	202004002431	4/2004
GB	2073827	10/1981
GB	2199653	7/1988
WO	WO2008011802	7/2007

(**) Term: **14 Years**

(21) Appl. No.: **29/339,023**

(22) Filed: **Jun. 23, 2009**

* cited by examiner

(30) **Foreign Application Priority Data**

Primary Examiner—Ralf Seifert

Jan. 12, 2009 (EM) 001068480

(74) *Attorney, Agent, or Firm*—Stephen R. Valancius

(51) **LOC (9) Cl.** **15-02**

(57) **CLAIM**

(52) **U.S. Cl.** **D15/9**

The ornamental design for an inflator, as shown and described.

(58) **Field of Classification Search** D15/7-9;
D23/231, 232, 225; 417/410.1, 359, 415-416,
417/234, 321, 265, 405

DESCRIPTION

See application file for complete search history.

FIG. 1 is a front perspective view of an inflator according to the present invention;

(56) **References Cited**

U.S. PATENT DOCUMENTS

4,636,230	A	1/1987	Fan	
4,656,687	A	4/1987	Wei	
D332,453	S *	1/1993	Doolittle et al.	D15/9
D404,398	S *	1/1999	Hall et al.	D15/7
D428,020	S *	7/2000	Bonzer	D15/7
D466,134	S *	11/2002	Carley et al.	D15/7
6,485,276	B2	11/2002	Yang	
D485,281	S *	1/2004	Hsiao	D15/9
D519,125	S *	4/2006	Burford et al.	D15/7
D541,823	S *	5/2007	Wang	D15/9
D559,269	S *	1/2008	Wu	D15/7
D576,642	S *	9/2008	Steinfels et al.	D15/9

FIG. 2 is a right side view of the inflator of FIG. 1;

FIG. 3 is a left side view of the inflator of FIG. 1;

FIG. 4 is a top view of the inflator of FIG. 1;

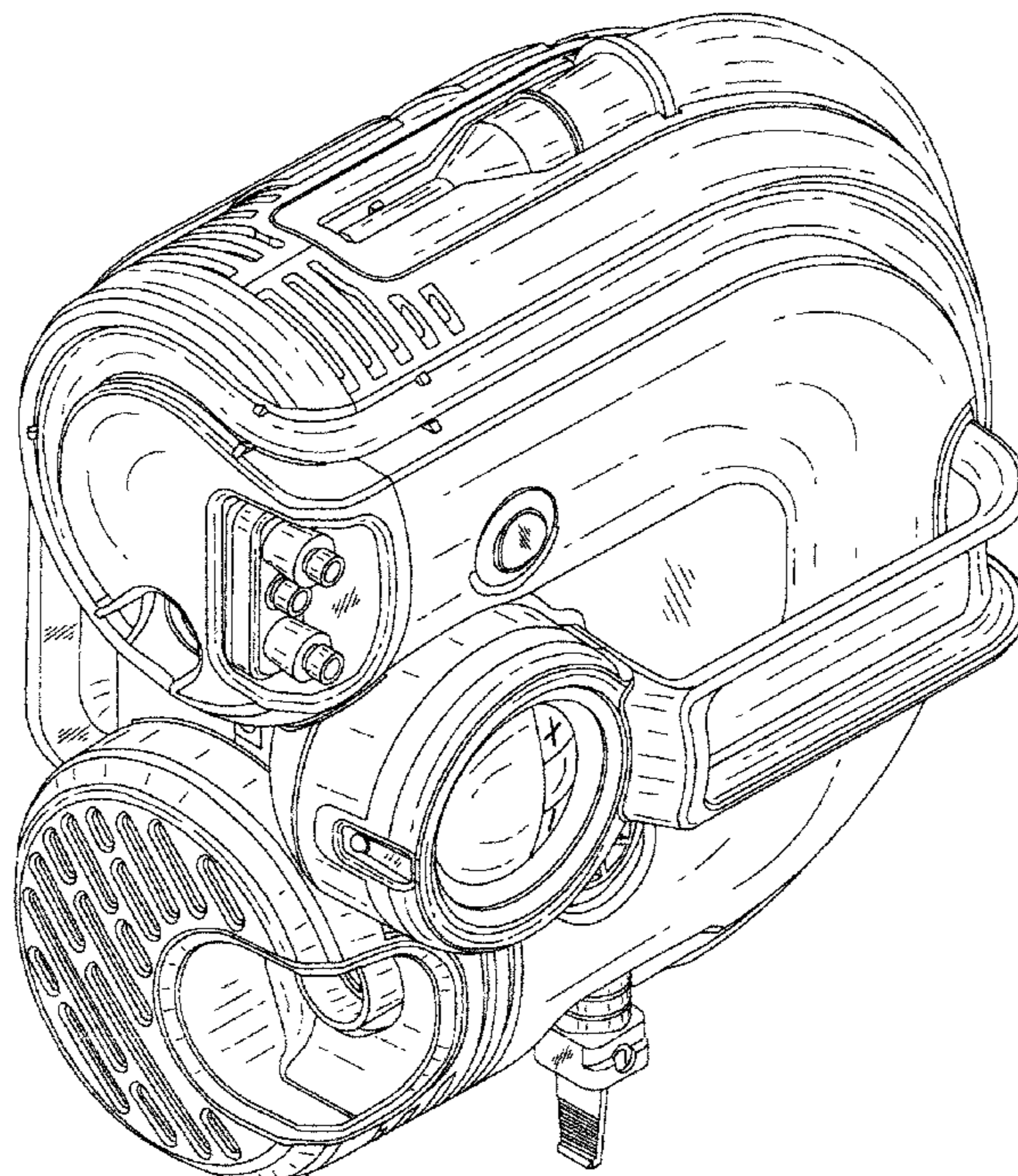
FIG. 5 is a bottom view of the inflator of FIG. 1;

FIG. 6 is a front view of the inflator of FIG. 1; and,

FIG. 7 is a rear view of the inflator of FIG. 1.

The broken lines in FIGS. 5 and 6 are included for the purpose of illustrating a portion of the inflator that forms no part of the claimed design.

1 Claim, 7 Drawing Sheets



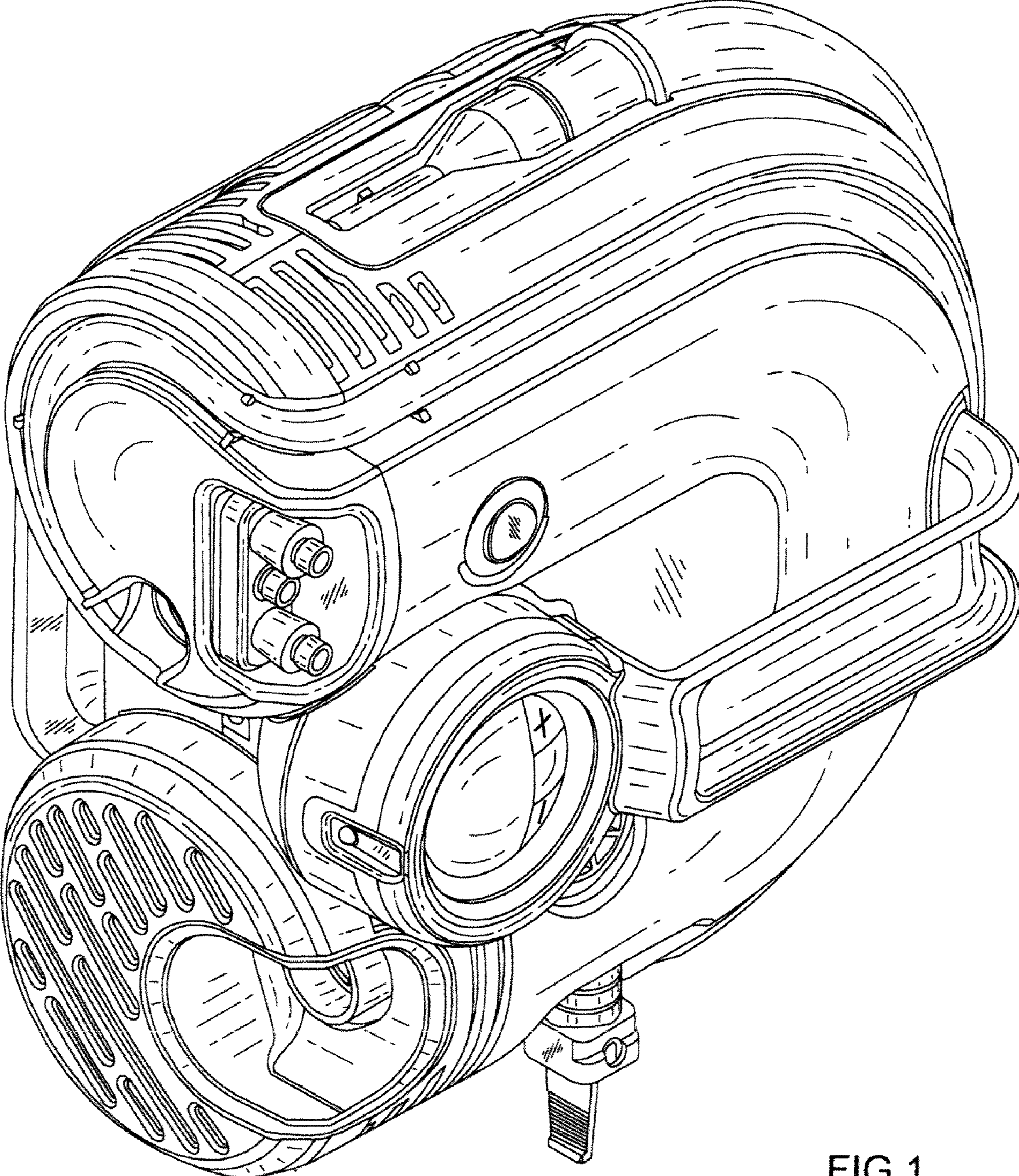


FIG.1

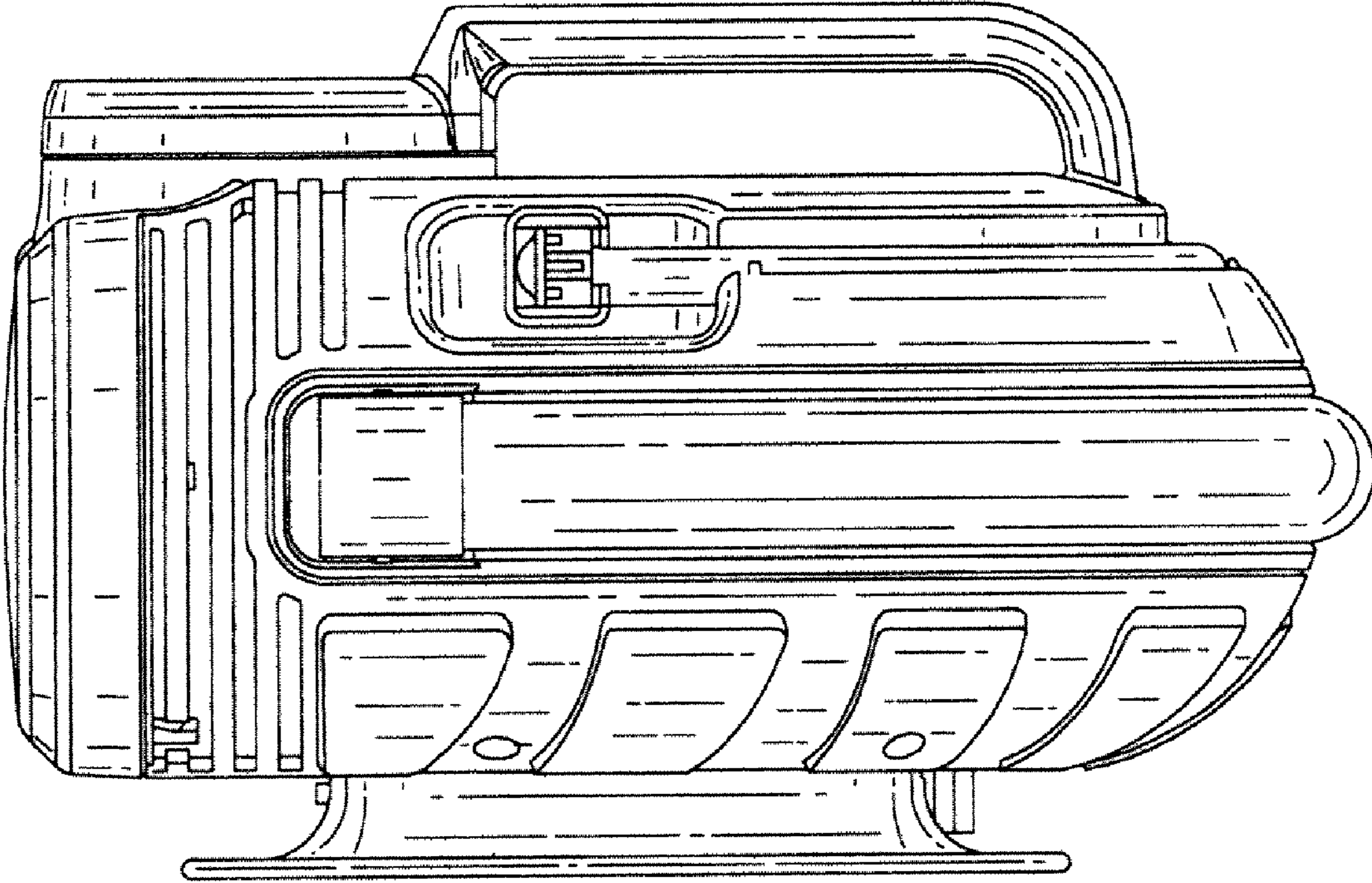


FIG.2

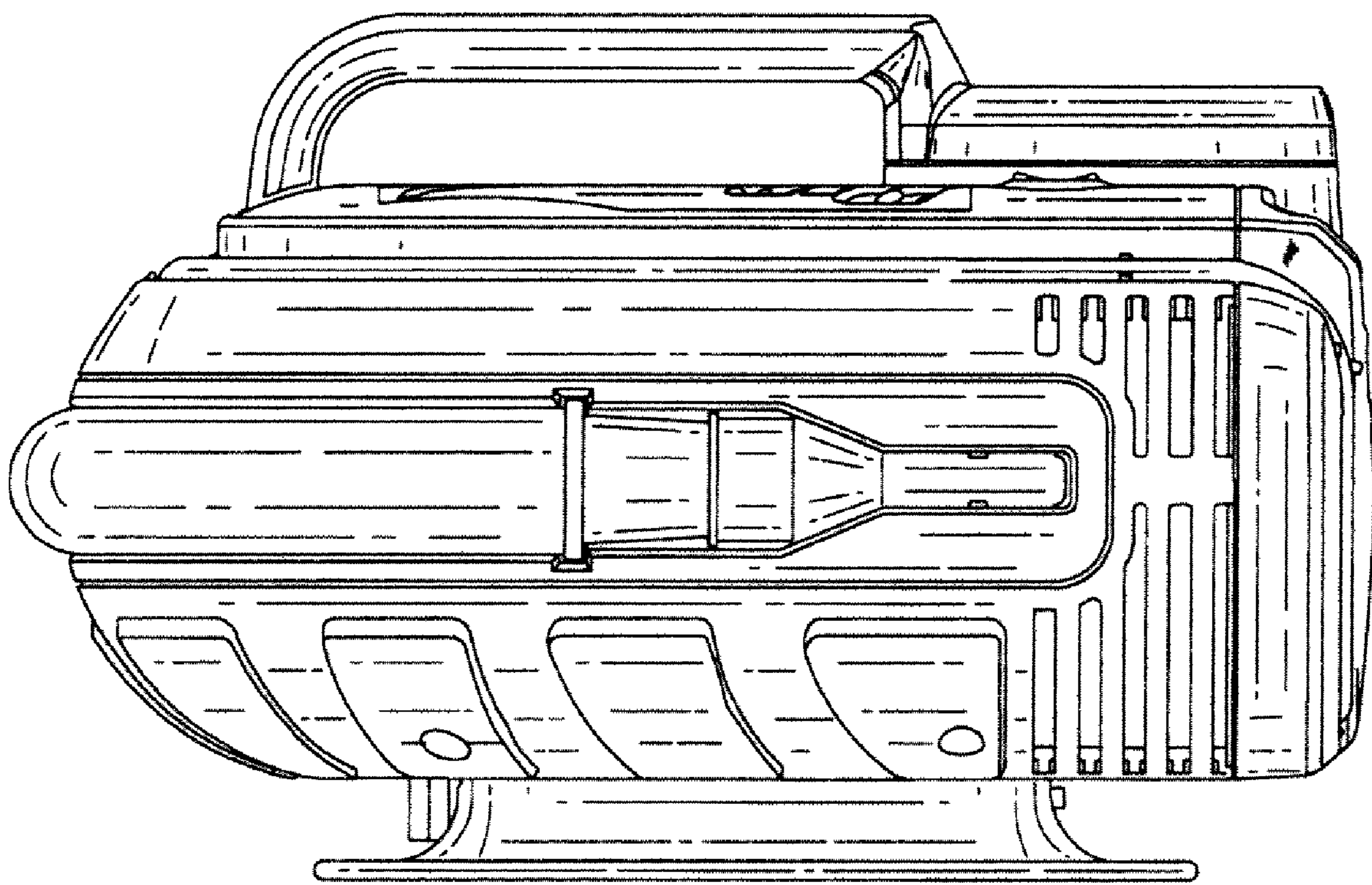


FIG.3

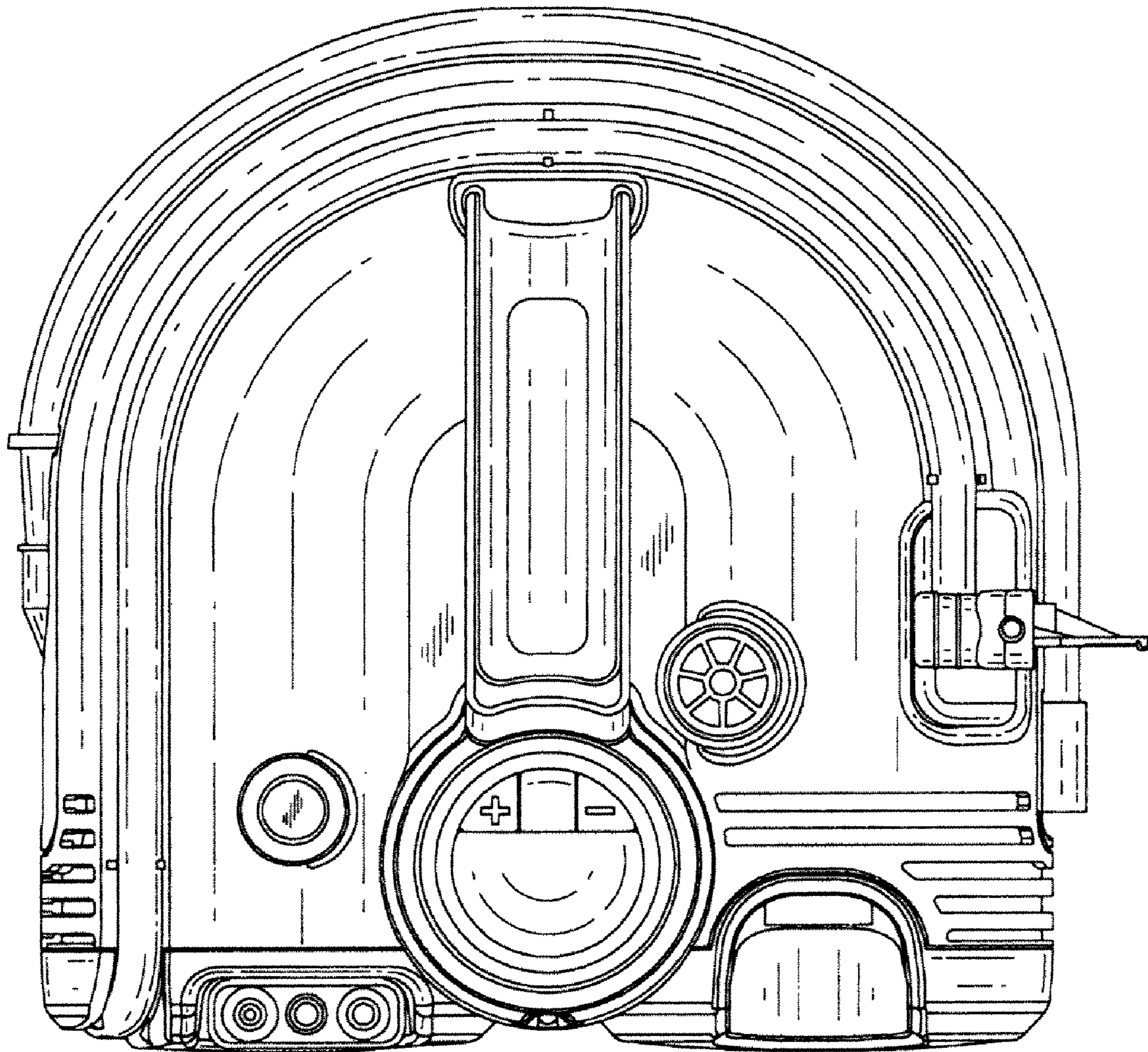


FIG.4

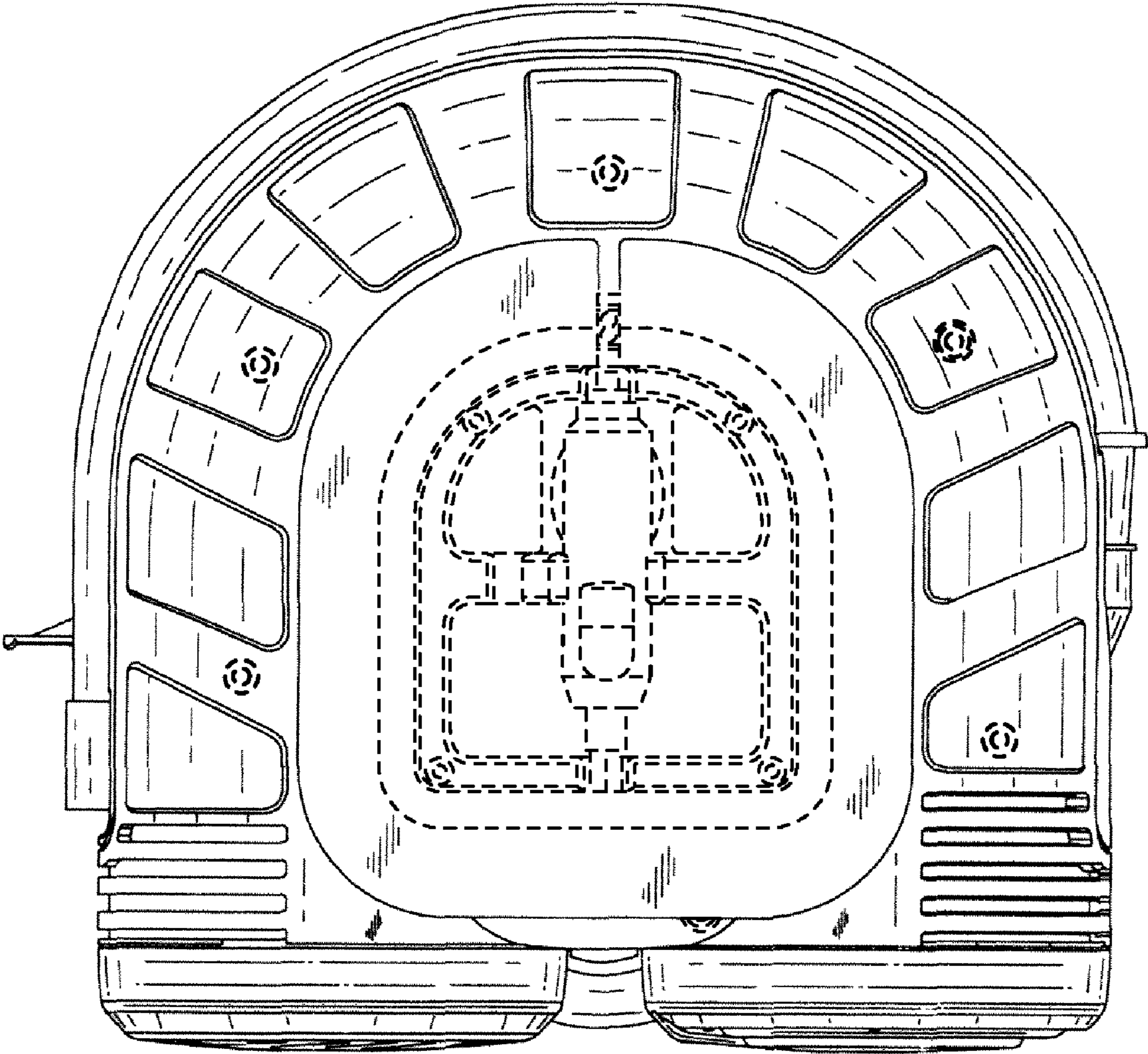


FIG.5

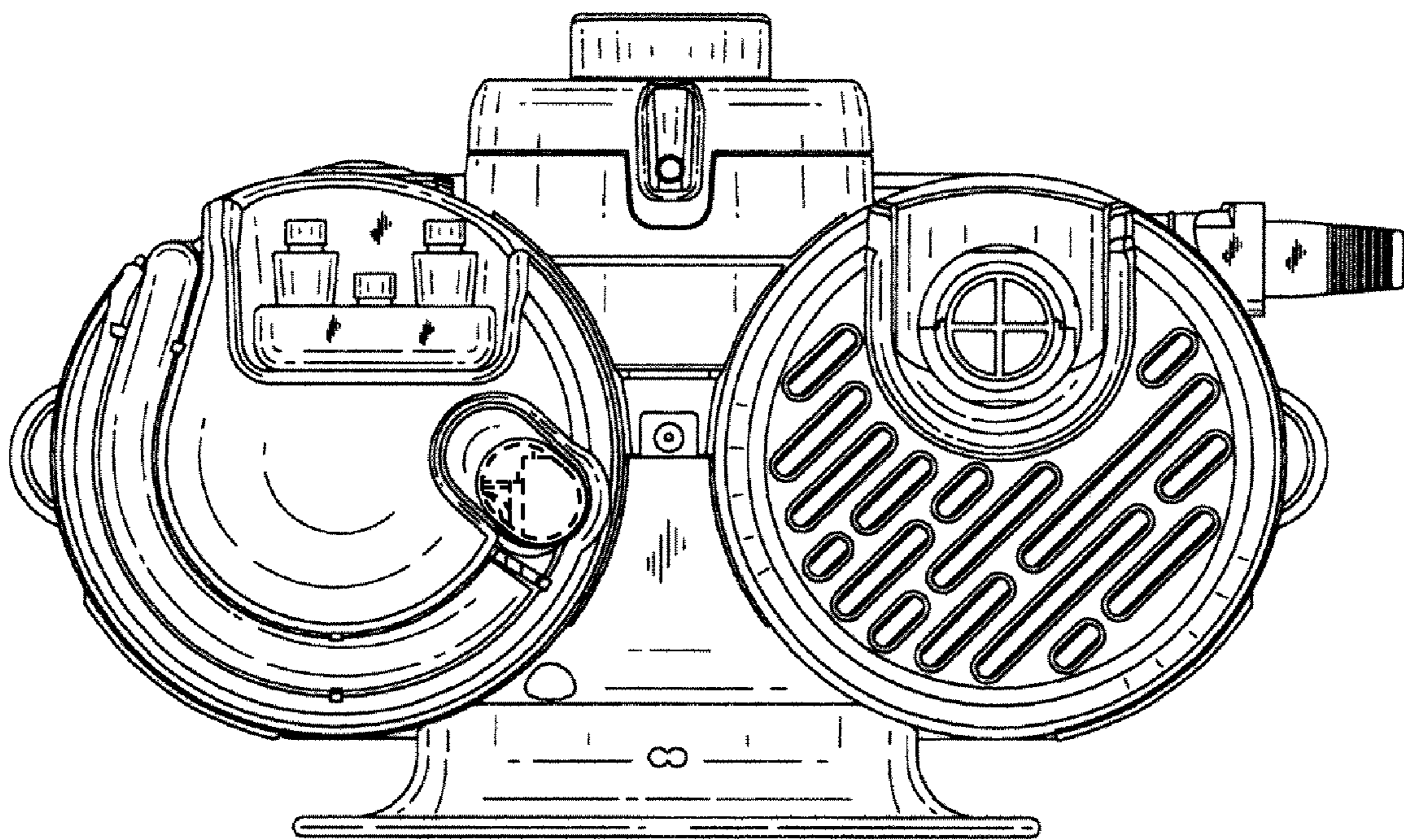


FIG.6

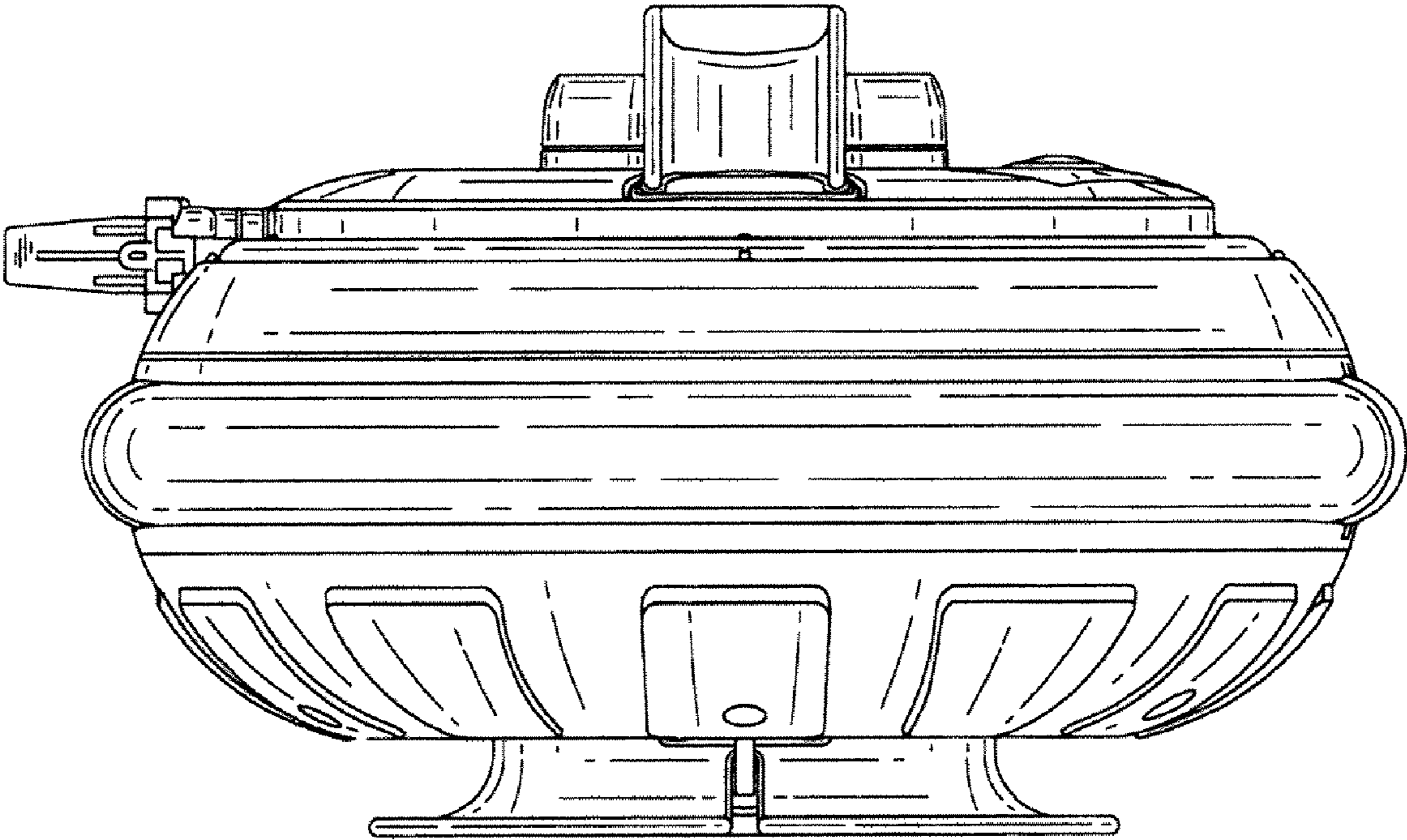


FIG.7