



US00D624933S

(12) **United States Design Patent**
Fitzmaurice et al.

(10) **Patent No.:** **US D624,933 S**

(45) **Date of Patent:** **** *Oct. 5, 2010**

(54) **ICON FOR A PORTION OF A DISPLAY SCREEN**

D573,600 S 7/2008 Kaminaga
D593,107 S * 5/2009 Shimoda et al. D14/485

(75) Inventors: **George Fitzmaurice**, Ontario (CA);
Gord Kurtenbach, Ontario (CA); **Justin Matejka**, Ontario (CA); **Marsha Leverock**, Ontario (CA); **Paul D. Vaters**, Ontario (CA)

2002/0122072 A1* 9/2002 Selker 345/834
2004/0135824 A1 7/2004 Fitzmaurice
2004/0141010 A1 7/2004 Fitzmaurice et al.
2005/0010955 A1* 1/2005 Elia et al. 725/88
2005/0168488 A1 8/2005 Montague
2006/0161865 A1* 7/2006 Scott et al. 715/810
2007/0174788 A1* 7/2007 Ording 715/816
2007/0256029 A1* 11/2007 Maxwell 715/834
2007/0261003 A1* 11/2007 Reissmueller 715/810

(73) Assignee: **Autodesk, Inc.**, San Rafael, CA (US)

(*) Notice: This patent is subject to a terminal disclaimer.

(**) Term: **14 Years**

(21) Appl. No.: **29/309,693**

(Continued)

(22) Filed: **Sep. 26, 2008**

OTHER PUBLICATIONS

Related U.S. Application Data

George Fitzmaurice et al., "Tracking menus", Symposium on User Interface Software and Technology, Proceedings of the 16th annual ACM symposium on User interface software and technology, 2003, pp. 71-79.

(63) Continuation-in-part of application No. 12/200,373, filed on Aug. 28, 2008.

(51) **LOC (9) Cl.** **14-04**

(Continued)

(52) **U.S. Cl.** **D14/489**

(58) **Field of Classification Search** D14/485-95;
D18/24-33; D19/6, 52, 9, 10; D20/11; D21/324-33;
715/700-867, 973-77

Primary Examiner—Melanie H Tung
(74) *Attorney, Agent, or Firm*—Staas & Halsey LLP

See application file for complete search history.

(57) **CLAIM**

(56) **References Cited**

The ornamental design for an icon for a portion of a display screen, as shown and described.

U.S. PATENT DOCUMENTS

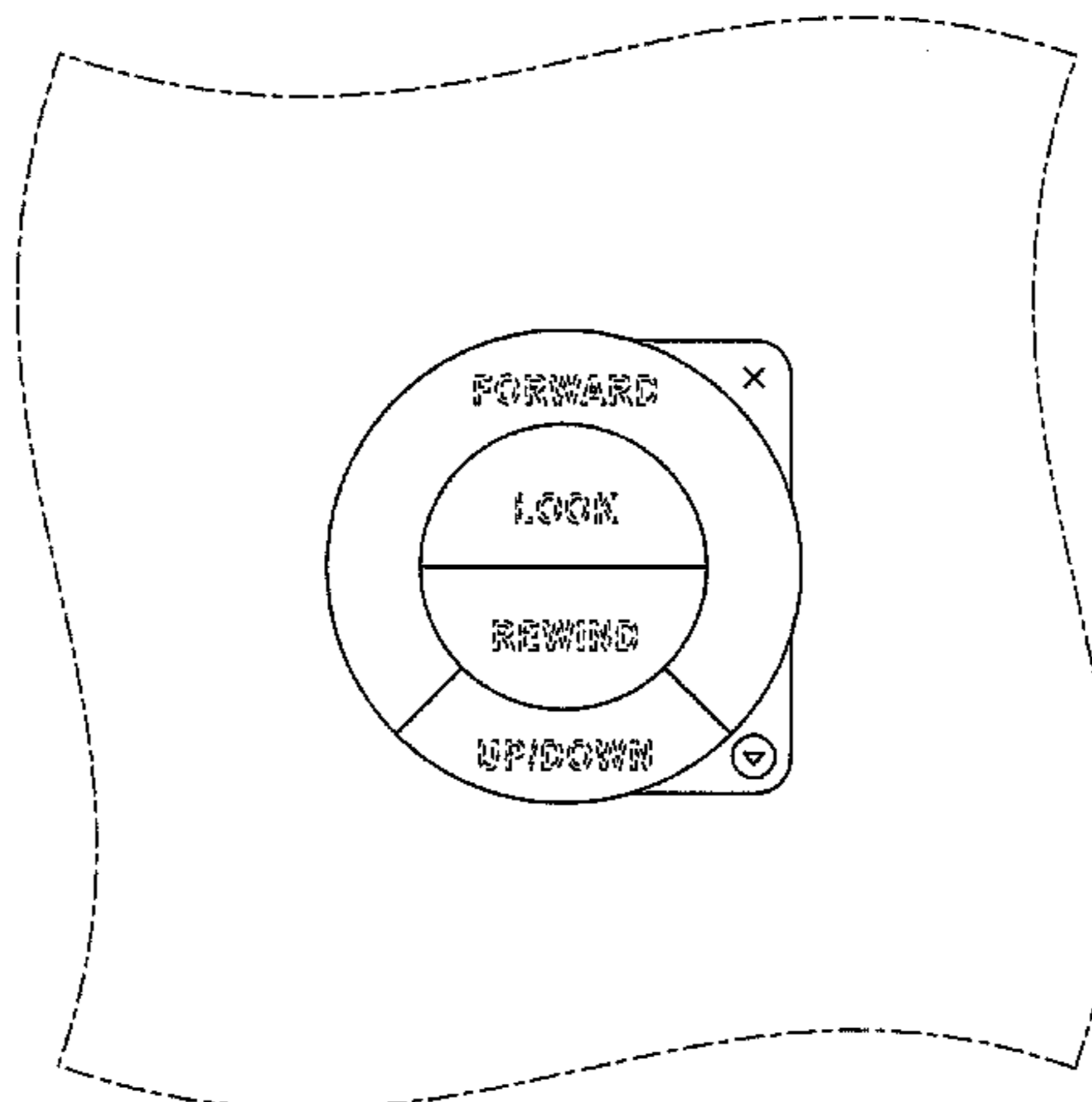
D427,574 S 7/2000 Sawada et al.
D464,360 S * 10/2002 Grundel et al. D14/485
D468,748 S 1/2003 Inagaki
D474,197 S * 5/2003 Nguyen D14/486
D474,198 S 5/2003 Barnes
D475,062 S 5/2003 Horie
D493,177 S * 7/2004 Retuta et al. D14/486
D493,471 S * 7/2004 McIntosh D14/485
D506,474 S 6/2005 Gildred
D554,654 S 11/2007 Waldeck
D571,373 S 6/2008 Loehr et al.

DESCRIPTION

The single FIGURE is a front view of an icon for a portion of a display screen.

The broken line showing of a portion of a display screen and the text forms no part of the claimed design.

1 Claim, 1 Drawing Sheet



U.S. PATENT DOCUMENTS

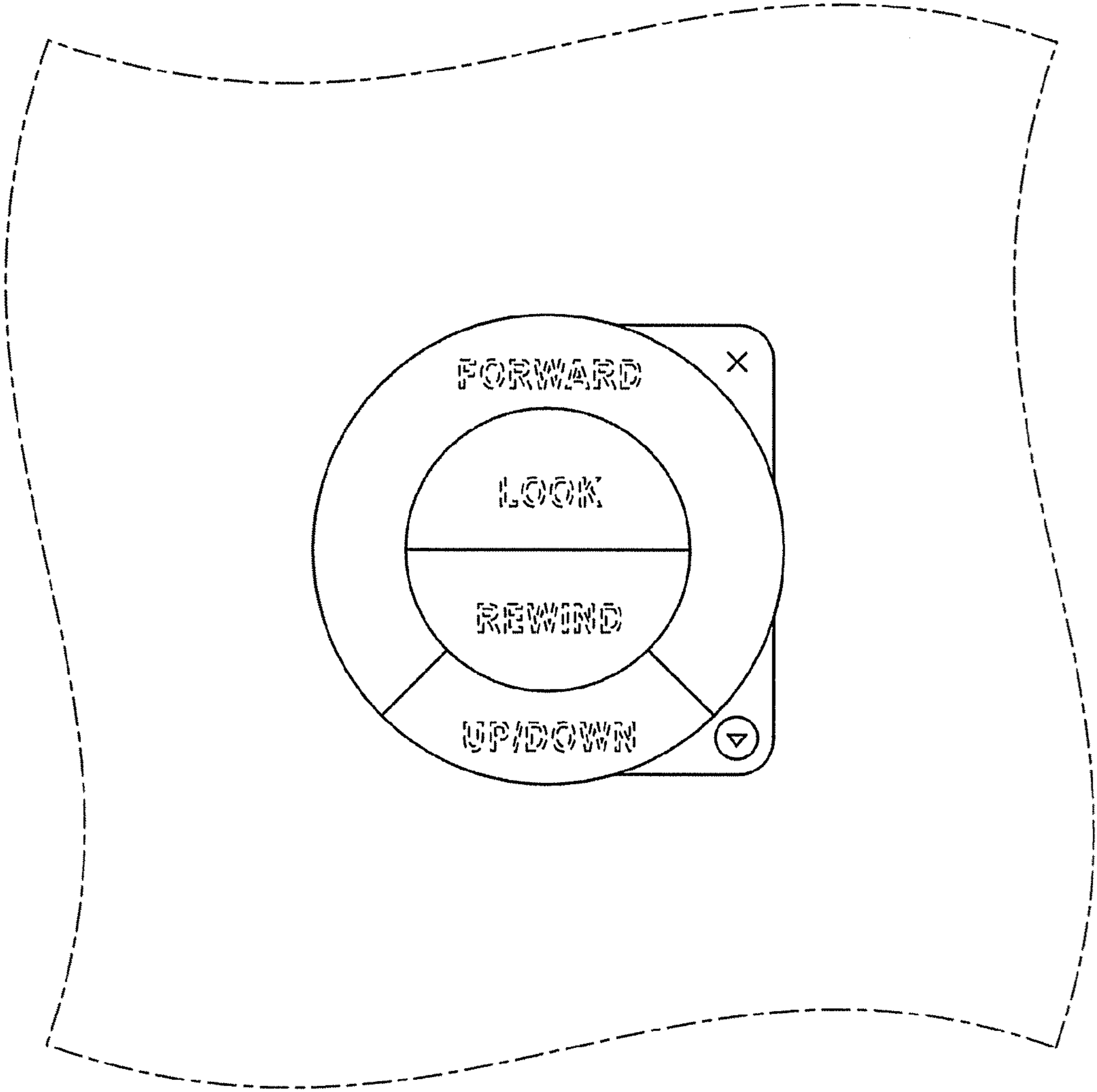
2007/0271528 A1* 11/2007 Park et al. 715/810
 2007/0300187 A1* 12/2007 Hama et al. 715/830
 2008/0016467 A1 1/2008 Chambers et al.
 2009/0019397 A1* 1/2009 Buffet et al. 715/837
 2009/0079590 A1* 3/2009 Hiraoka 340/984
 2009/0083665 A1* 3/2009 Anttila et al. 715/834

OTHER PUBLICATIONS

U.S. Appl. No. 12/200,278, filed Aug. 28, 2008, Fitzmaurice, et al., Autodesk, Inc.
 U.S. Appl. No. 12/200,355, filed Aug. 28, 2008, Fitzmaurice, et al., Autodesk, Inc.
 U.S. Appl. No. 12/200,340, filed Aug. 28, 2008, Fitzmaurice, et al., Autodesk, Inc.
 U.S. Appl. No. 12/200,333, filed Aug. 28, 2008, Fitzmaurice, et al., Autodesk, Inc.
 U.S. Appl. No. 12/200,346, filed Aug. 28, 2008, Fitzmaurice, et al., Autodesk, Inc.
 U.S. Appl. No. 12/200,485, filed Aug. 28, 2008, Fitzmaurice, et al., Autodesk, Inc.
 U.S. Appl. No. 12/200,327, filed Aug. 28, 2008, Fitzmaurice, et al., Autodesk, Inc.
 U.S. Appl. No. 12/200,309, filed Aug. 28, 2008, Fitzmaurice, et al., Autodesk, Inc.
 U.S. Appl. No. 12/200,440, filed Aug. 28, 2008, Fitzmaurice, et al., Autodesk, Inc.
 U.S. Appl. No. 12/200,475, filed Aug. 28, 2008, Fitzmaurice, et al., Autodesk, Inc.
 U.S. Appl. No. 12/200,373, filed Aug. 28, 2008, Fitzmaurice, et al., Autodesk, Inc.
 U.S. Appl. No. 12/200,429, filed Aug. 28, 2008, Fitzmaurice, et al., Autodesk, Inc.
 U.S. Appl. No. 12/200,449, filed Aug. 28, 2008, Fitzmaurice, et al., Autodesk, Inc.
 U.S. Appl. No. 12/200,319, filed Aug. 28, 2008, Fitzmaurice, et al., Autodesk, Inc.
 U.S. Appl. No. 12/200,458, filed Aug. 28, 2008, Fitzmaurice, et al., Autodesk, Inc.

U.S. Appl. No. 12/200,480, filed Aug. 28, 2008, Fitzmaurice, et al., Autodesk, Inc.
 U.S. Appl. No. 12/200,421, filed Aug. 28, 2008, Fitzmaurice, et al., Autodesk, Inc.
 U.S. Appl. No. 61/022,640, filed Jan. 22, 2008, Fitzmaurice, et al., Autodesk, Inc.
 U.S. Appl. No. 29/309,689, filed Sep. 26, 2008, Fitzmaurice, et al., Autodesk, Inc.
 U.S. Appl. No. 29/309,692, filed Sep. 26, 2008, Fitzmaurice, et al., Autodesk, Inc.
 U.S. Appl. No. 29/309,686, filed Sep. 26, 2008, Fitzmaurice, et al., Autodesk, Inc.
 U.S. Appl. No. 29/309,685, filed Sep. 26, 2008, Fitzmaurice, et al., Autodesk, Inc.
 U.S. Appl. No. 29/309,690, filed Sep. 26, 2008, Fitzmaurice, et al., Autodesk, Inc.
 U.S. Appl. No. 29/309,691, filed Sep. 26, 2008, Fitzmaurice, et al., Autodesk, Inc.
 Office Action mailed Sep. 28, 2009 in co-pending U.S. Appl. No. 29/309,689.
 Office Action mailed Sep. 28, 2009 in co-pending U.S. Appl. No. 29/309,692.
 Office Action mailed Oct. 1, 2009 in co-pending U.S. Appl. No. 29/309,690.
 Office Action mailed Sep. 28, 2009 in co-pending U.S. Appl. No. 29/309,691.
 Office Action mailed Nov. 12, 2009 in co-pending U.S. Appl. No. 29/309,685.
 Office Action mailed Nov. 23, 2009 in co-pending U.S. Appl. No. 29/309,686.
 Office Action mailed Apr. 2, 2010 in co-pending U.S. Appl. No. 29/309,690.
 Office Action mailed Apr. 5, 2010 in co-pending U.S. Appl. No. 29/309,689.
 Office Action mailed Apr. 2, 2010 in co-pending U.S. Appl. No. 29/309,692.
 Office Action mailed Apr. 2, 2010 in co-pending U.S. Appl. No. 29/309,691.

* cited by examiner



FIGURE