



US00D624925S

(12) **United States Design Patent**
Lu

(10) **Patent No.:** **US D624,925 S**

(45) **Date of Patent:** **** Oct. 5, 2010**

(54) **HOUSING FOR A PORTABLE MEMORY DEVICE**

(75) Inventor: **Chen-Yin Lu**, Tainan (TW)

(73) Assignee: **Kingston Technology Corporation**,
Fountain Valley, CA (US)

(**) Term: **14 Years**

(21) Appl. No.: **29/316,747**

(22) Filed: **Oct. 28, 2009**

(51) **LOC (9) Cl.** **14-02**

(52) **U.S. Cl.** **D14/480.7**

(58) **Field of Classification Search** D14/356,
D14/411, 433, 435.1, 436, 137, 155, 167,
D14/168, 203.1–203.8, 240, 242, 299, 480.1–480.7,
D14/484.1; D3/201, 273; D13/107, 108,
D13/149, 184; 710/300, 301; 439/131, 135–147;
361/679.31, 679.33, 679.4, 752; 711/100,
711/115

See application file for complete search history.

(56) **References Cited**

U.S. PATENT DOCUMENTS

D382,857 S *	8/1997	Chen et al.	D13/147
6,243,596 B1 *	6/2001	Kikinis	455/572
6,609,935 B2 *	8/2003	Huang	439/620.16
D486,829 S *	2/2004	Wang et al.	D14/433
D494,969 S *	8/2004	Lin	D14/480.7
7,179,099 B2 *	2/2007	Hsieh	439/131
D544,479 S *	6/2007	Chen	D14/356
D556,751 S *	12/2007	Rambosek et al.	D14/356
D557,697 S *	12/2007	Chen et al.	D14/356
7,361,032 B2 *	4/2008	Loftus	439/131
D572,249 S *	7/2008	Yang	D14/358
D573,594 S *	7/2008	Hsu	D14/358

(Continued)

OTHER PUBLICATIONS

Design Registration No. 300504792.0000 [Korea], filed on Jul. 3, 2008, registered on Sep. 1, 2008.*

(Continued)

Primary Examiner—Cathron C Brooks

Assistant Examiner—Karen E Kearney

(74) *Attorney, Agent, or Firm*—Duncan Palmatier

(57) **CLAIM**

The ornamental design for the housing for a portable memory device, as shown and described.

DESCRIPTION

FIG. 1 is a rear perspective view of a housing for a portable memory device showing my new design with the connector in the retracted position;

FIG. 2 is a top view thereof;

FIG. 3 is a right side view thereof;

FIG. 4 is a bottom view thereof;

FIG. 5 is a left side view thereof;

FIG. 6 is a rear view thereof;

FIG. 7 is a front view thereof;

FIG. 8 is a rear perspective view thereof, showing the design with the connector in the extended position;

FIG. 9 is a top view thereof, showing the design with the connector in the extended position;

FIG. 10 is a right side view thereof, showing the design with the connector in the extended position;

FIG. 11 is a bottom view thereof, showing the design with the connector in the extended position;

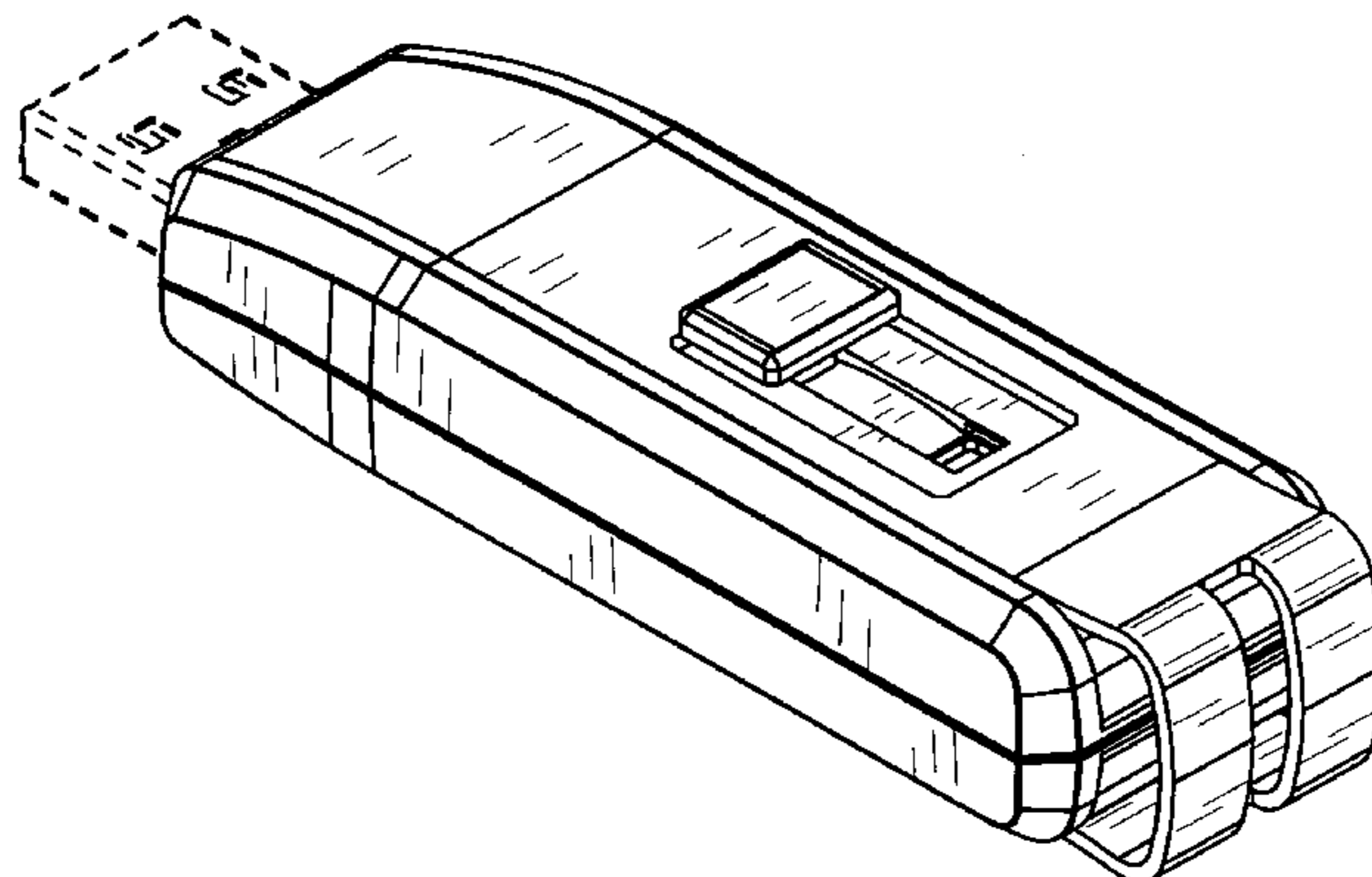
FIG. 12 is a left side view thereof, showing the design with the connector in the extended position;

FIG. 13 is a rear view thereof, showing the design with the connector in the extended position; and,

FIG. 14 is a front view thereof, showing the design with the connector in the extended position.

The broken lines showing the connector feature are for the purpose of illustrating environmental structure and form no part of the claimed design.

1 Claim, 14 Drawing Sheets



US D624,925 S

Page 2

U.S. PATENT DOCUMENTS

D591,758 S * 5/2009 Lee D14/480.7
D595,223 S * 6/2009 Yamamoto et al. D13/108
7,624,233 B2 * 11/2009 Kavian 711/115
D607,462 S * 1/2010 Chen D14/480.5
D610,588 S * 2/2010 Chen D14/480.7
D612,859 S * 3/2010 Bridge et al. D14/480.5
2009/0004898 A1 * 1/2009 Hsu 439/135
2009/0021904 A1 * 1/2009 Yang 361/684
2009/0316368 A1 * 12/2009 Hiew et al. 361/737

2010/0039225 A1 * 2/2010 Yu et al. 340/5.83

OTHER PUBLICATIONS

8GB Store 'n' Go® USB Drive for Mac OS X, [online], [retrieved on Feb. 13, 2010]. Retrieved from the Internet <URL: http://www.verbatim.com/products/detail.cfm?product_id=421B6630-1143-3415-5F9B7BB7DF4589DD&cat_id=428B2185-1143-3415-5FFB956D967105D2>.*

* cited by examiner

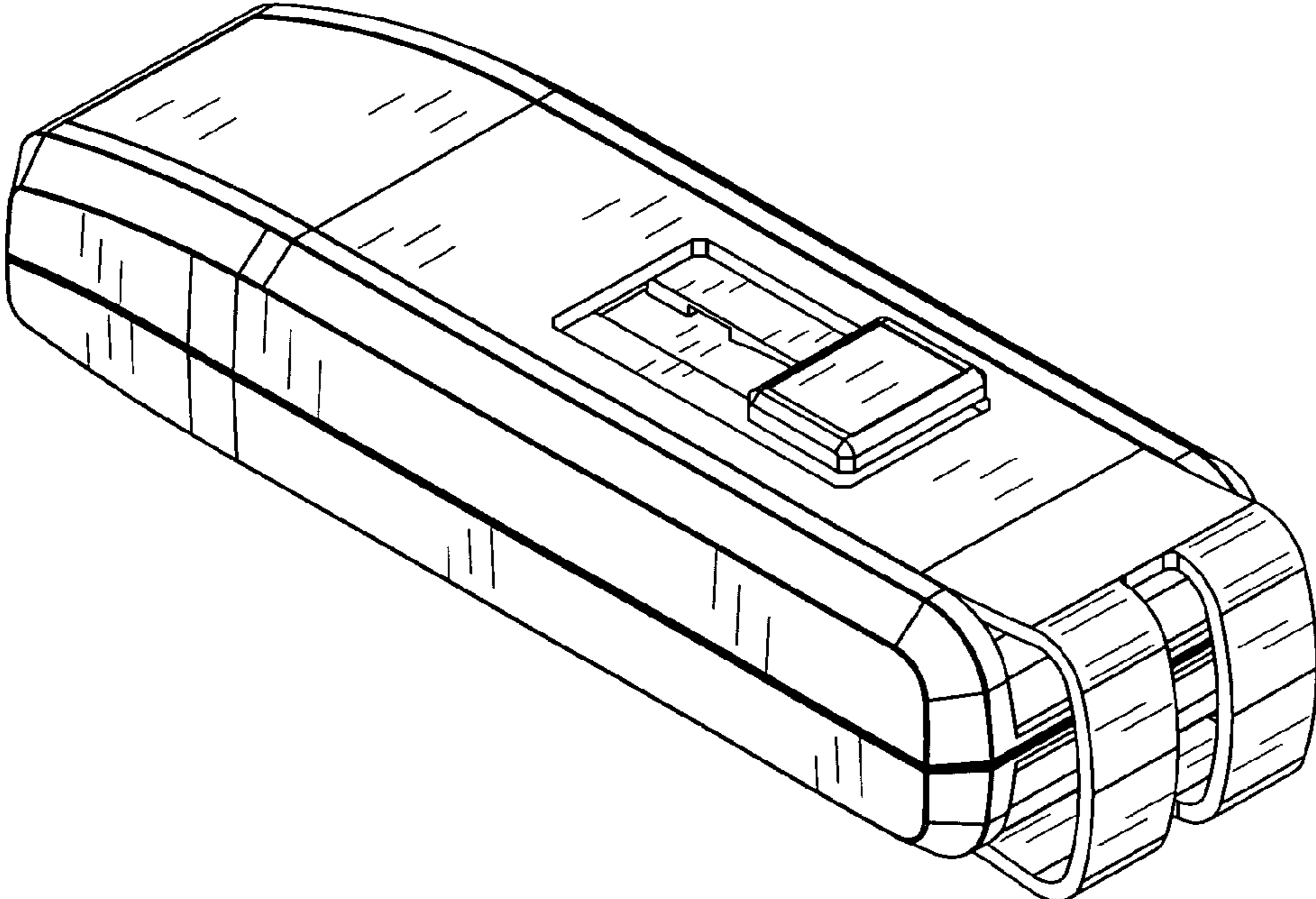


FIG. 1

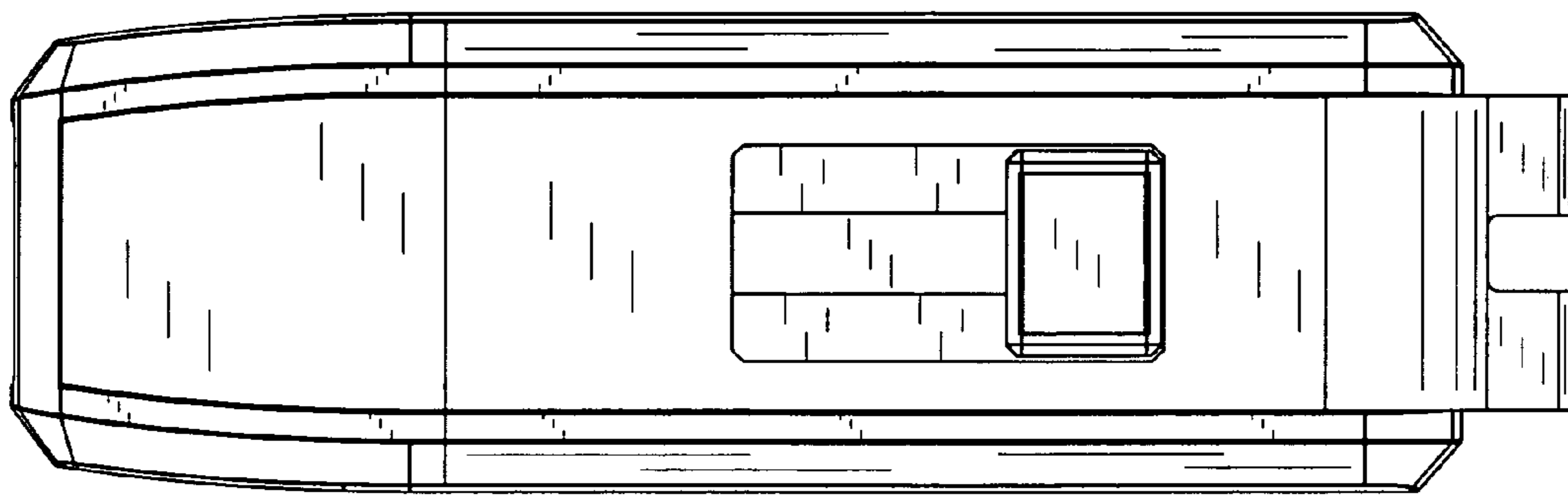


FIG. 2

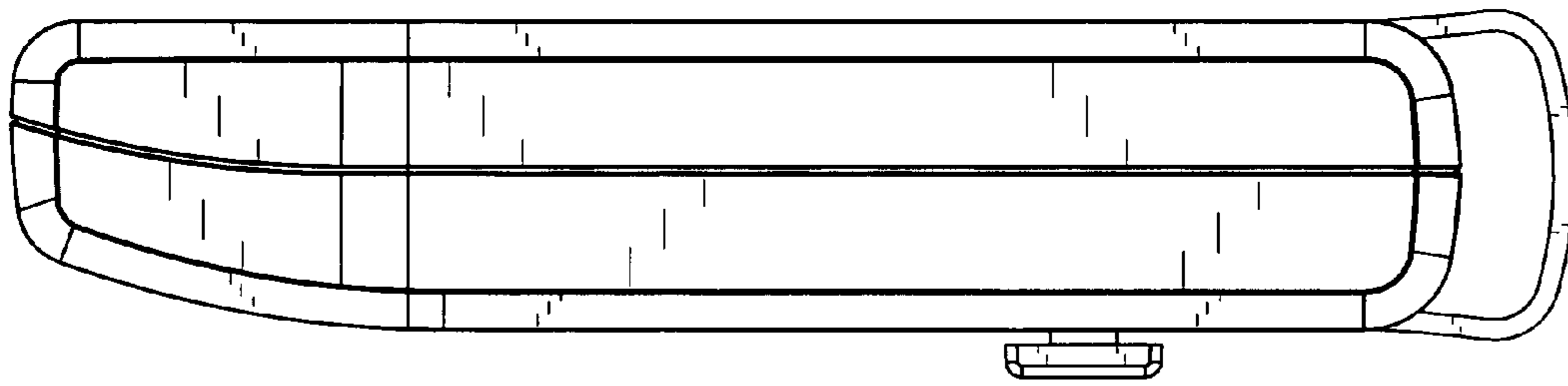


FIG. 3

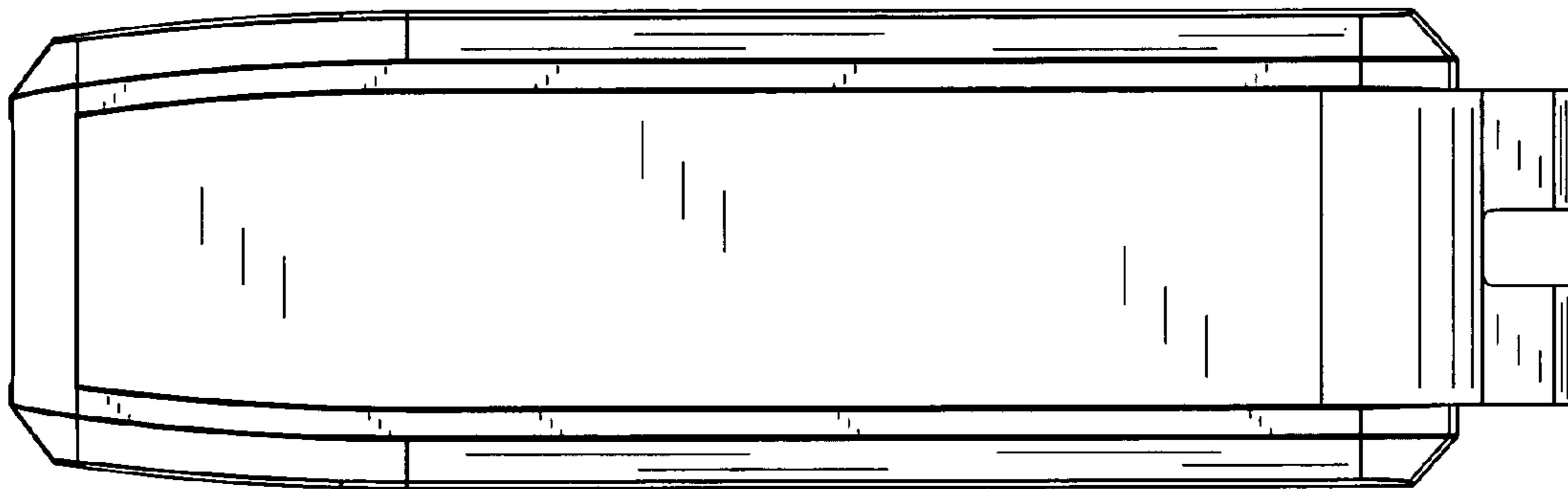


FIG. 4

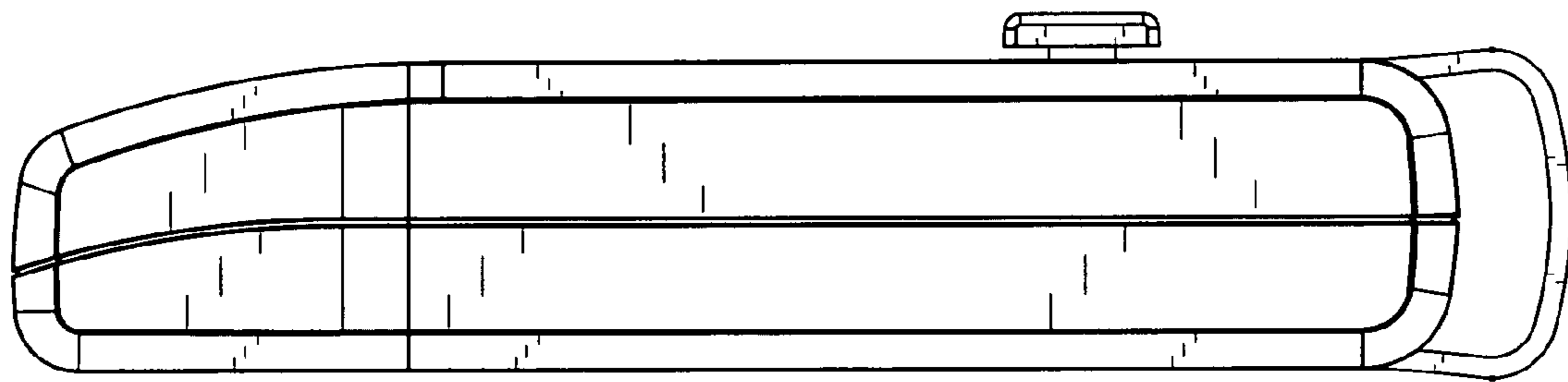


FIG. 5

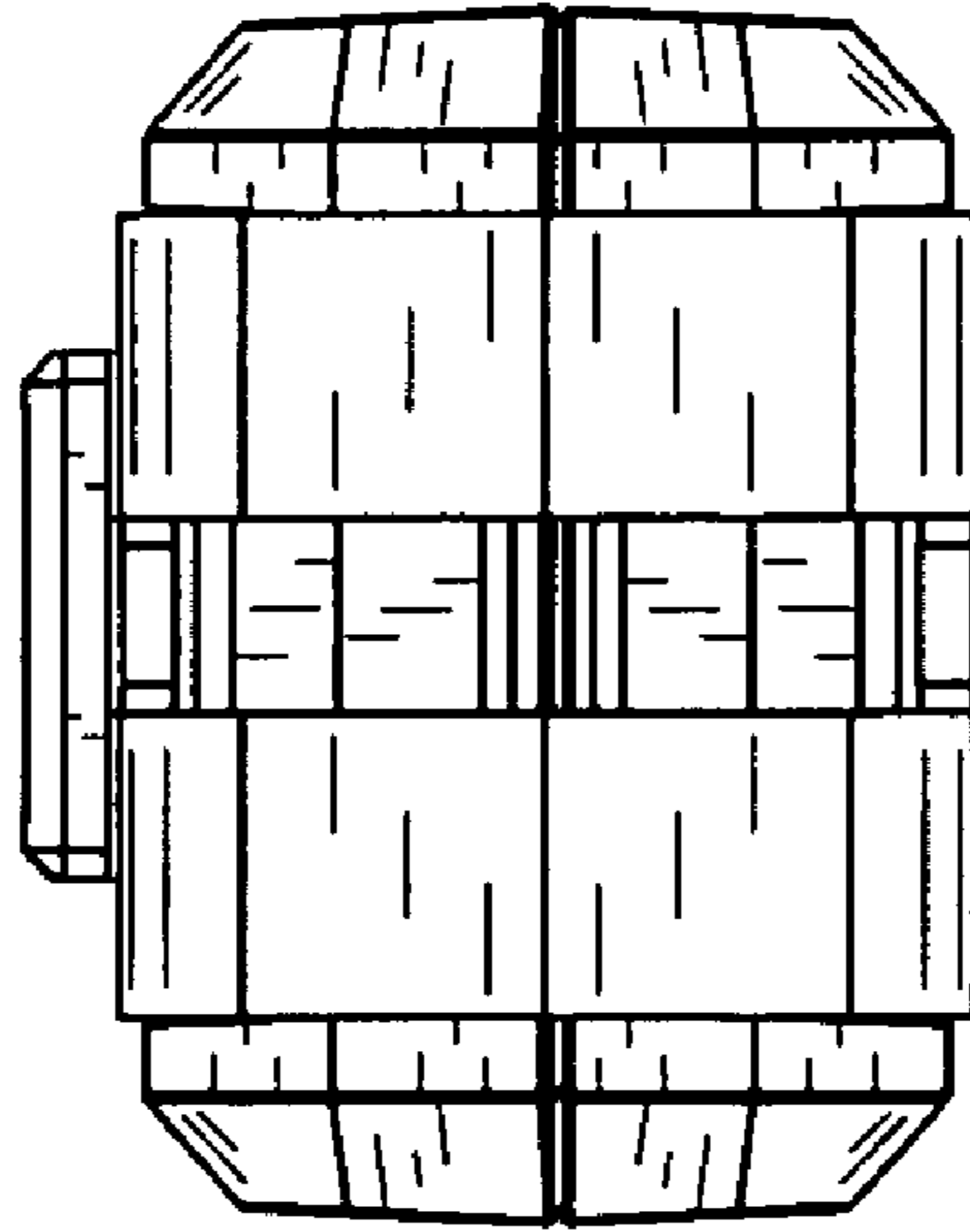


FIG. 6

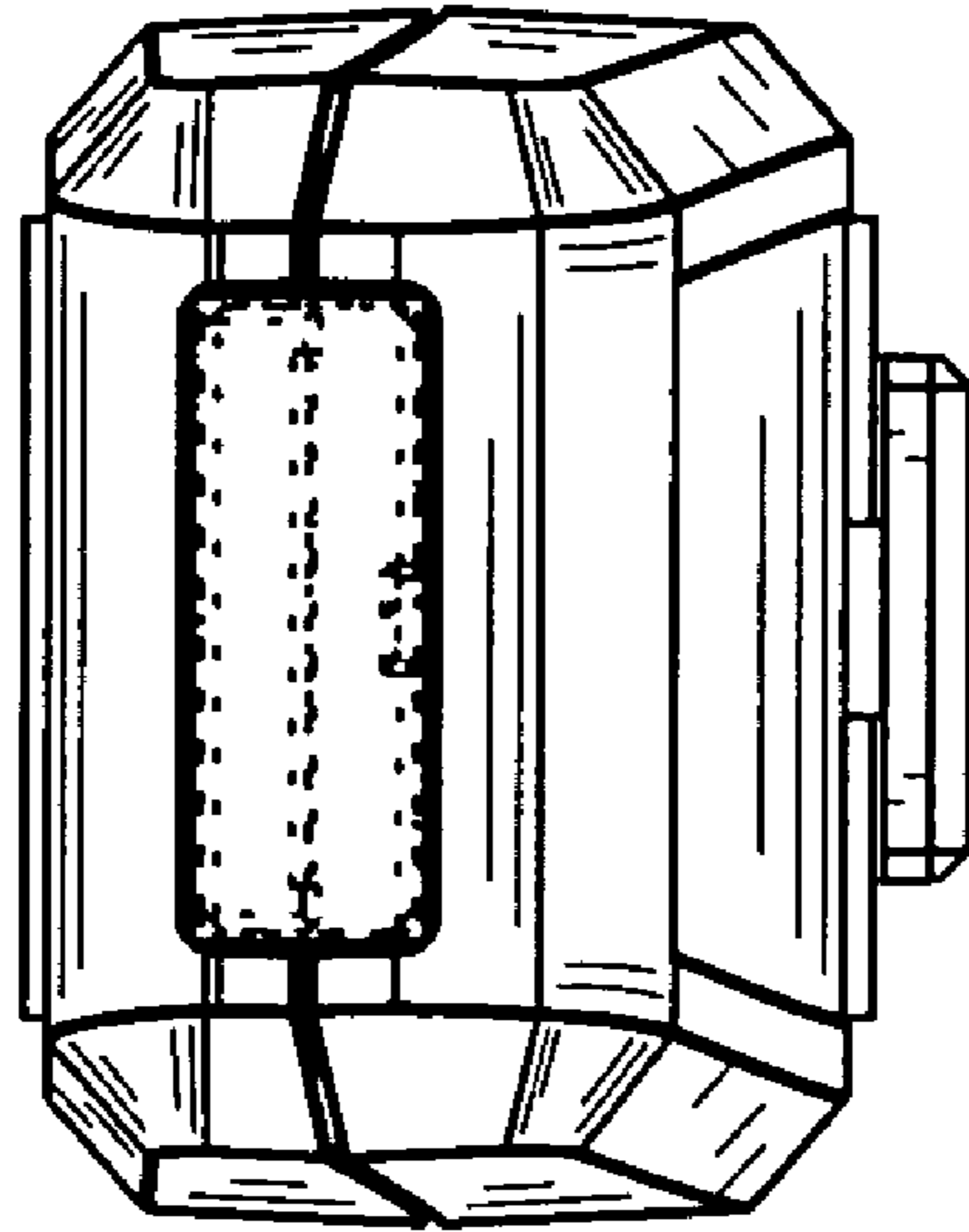


FIG. 7

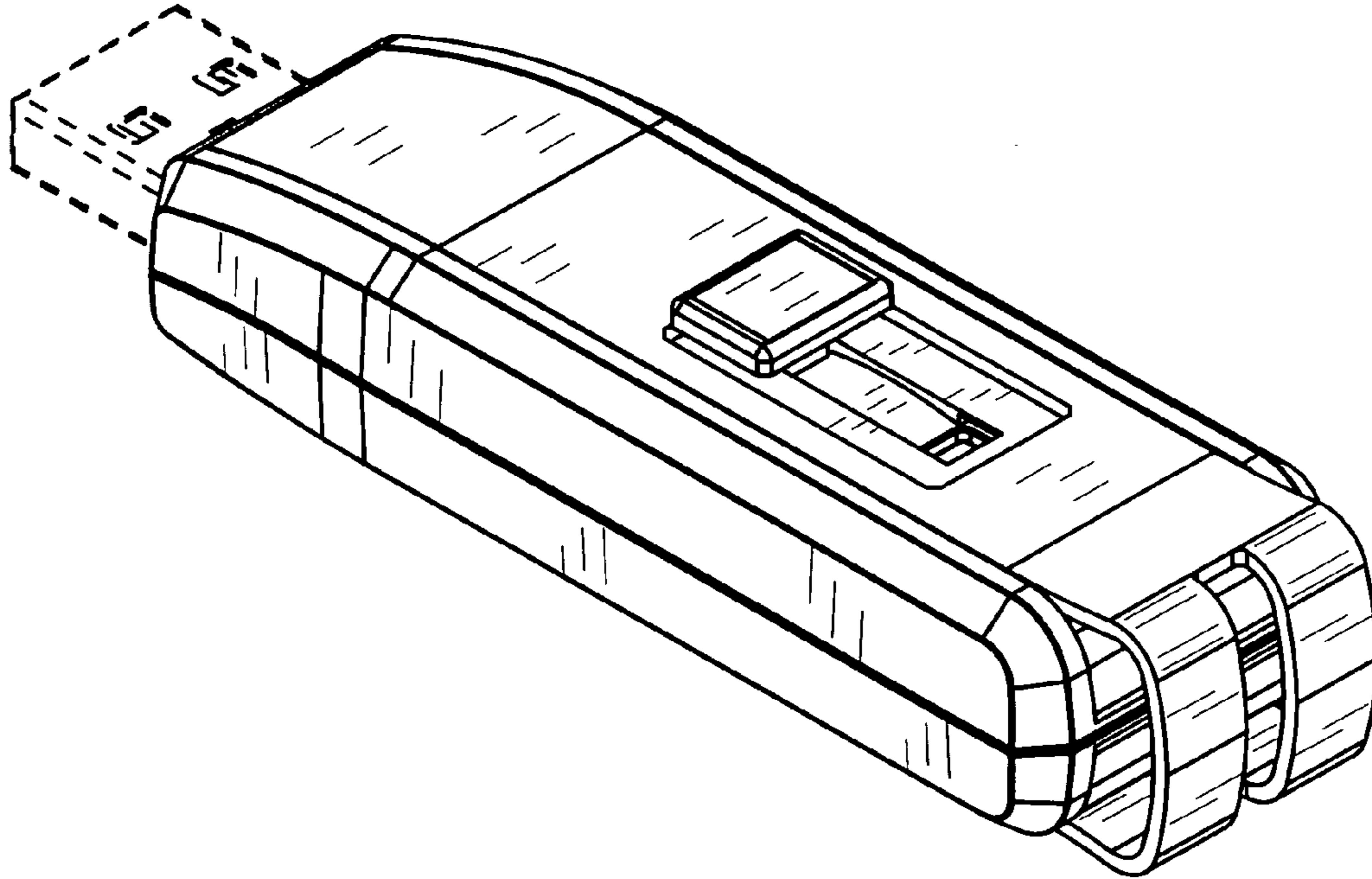


FIG. 8

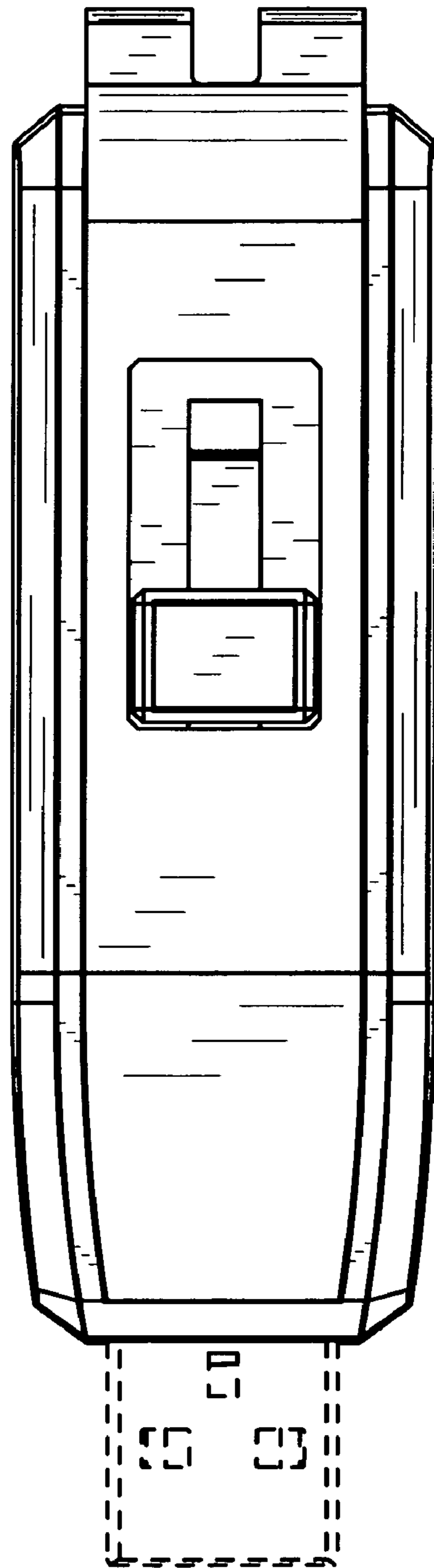


FIG. 9



FIG. 10

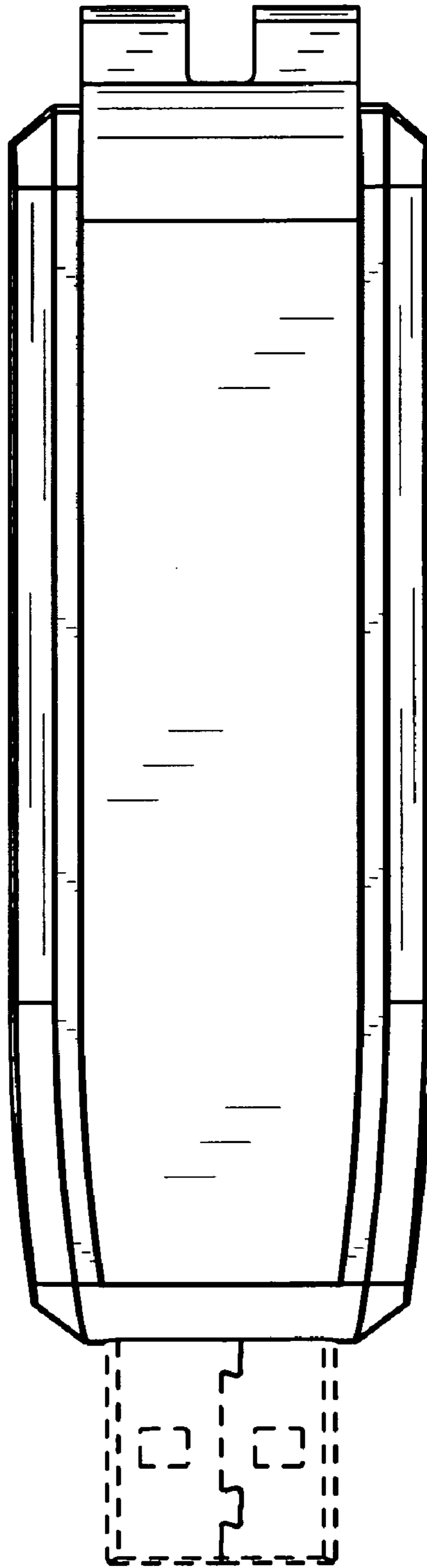


FIG. 11

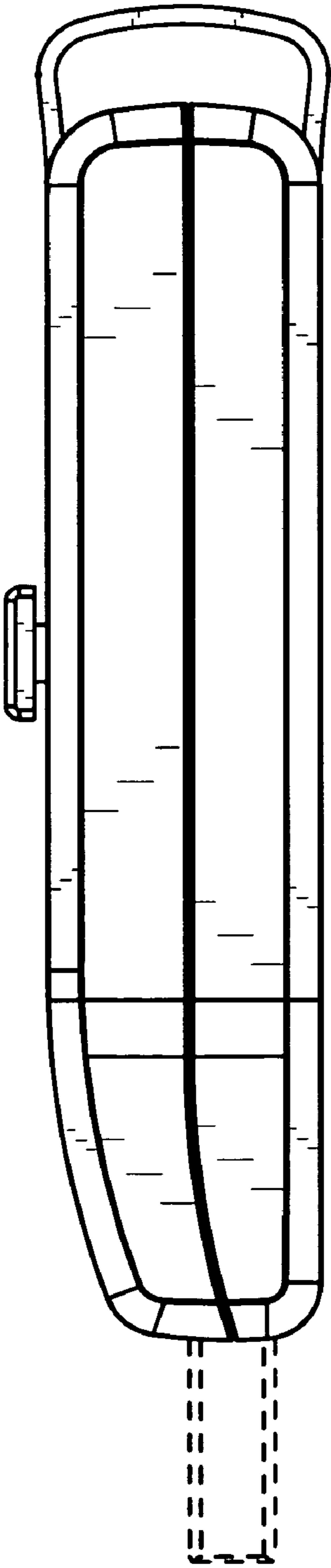


FIG. 12

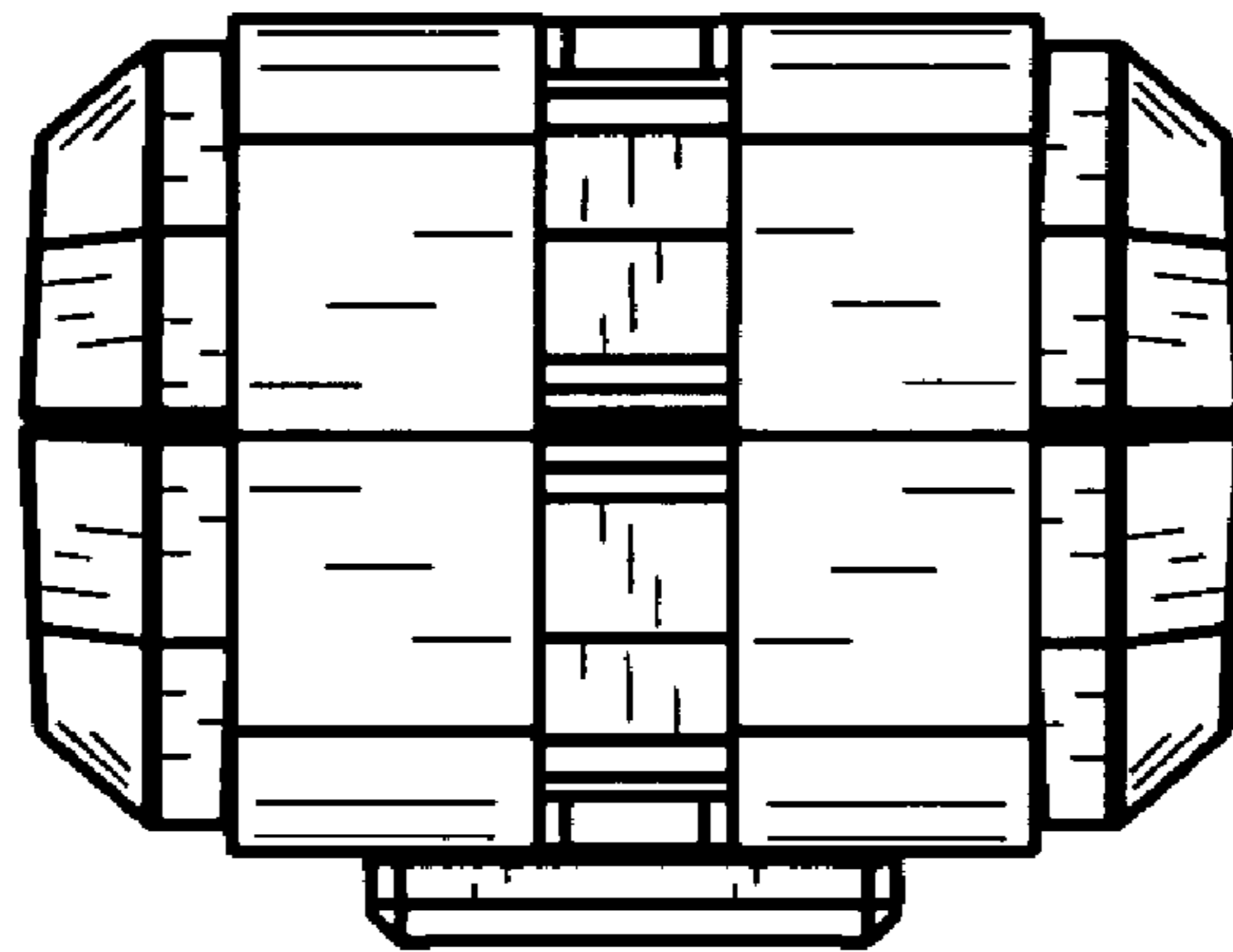


FIG. 13

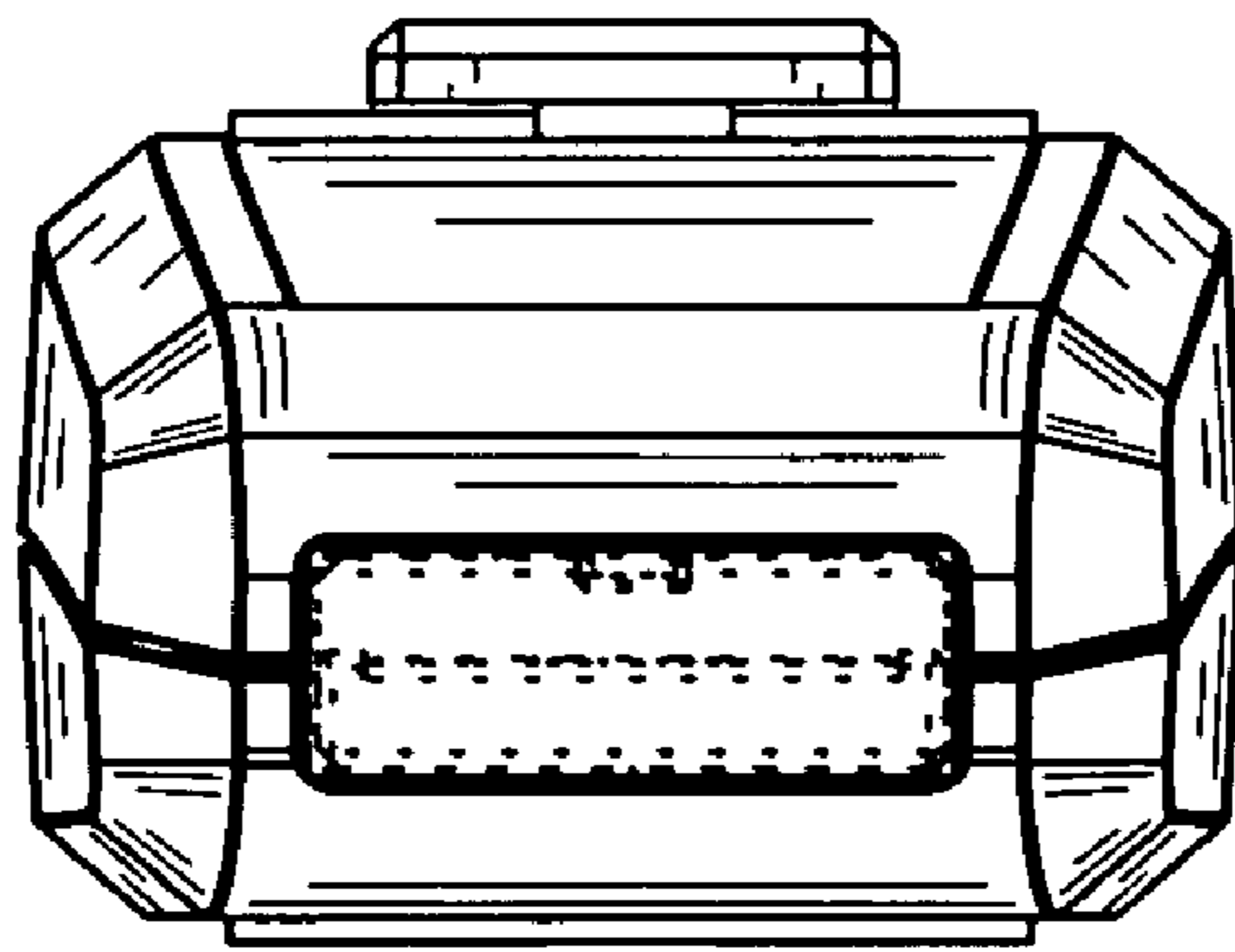


FIG. 14