



US00D624924S

(12) **United States Design Patent**  
**Lee**

(10) **Patent No.:** **US D624,924 S**  
(45) **Date of Patent:** **\*\* Oct. 5, 2010**

(54) **DONGLE FOR RECEIVING DIGITAL TV BROADCASTING**

(75) Inventor: **Kyu-Jin Lee**, Seongnam (KR)

(73) Assignee: **DTV Interactive Co., Ltd.**, Seoul (KR)

(\*\*) Term: **14 Years**

(21) Appl. No.: **29/350,963**

(22) Filed: **Nov. 25, 2009**

(51) **LOC (9) Cl.** ..... **14-02**

(52) **U.S. Cl.** ..... **D14/480.5**

(58) **Field of Classification Search** ..... D14/356,  
D14/411, 433, 435.1, 436, 137, 155, 167,  
D14/168, 203.1–203.8, 240, 242, 299, 480.1–480.7,  
D14/484.1, 140, 218, 358, 217, 238.1; D3/201,  
D3/273; D13/107, 108, 149, 184, 168; 710/300,  
710/301; 439/131, 135–147; 361/679.31,  
361/679.33, 679.4, 752; 711/100, 115; 360/69;  
379/220.01, 221.01–221.02, 25, 93.09, 93.15,  
379/93.14, 156, 900; 455/550.1, 557  
See application file for complete search history.

(56) **References Cited**

**U.S. PATENT DOCUMENTS**

D271,764 S *	12/1983	Toth et al.	.....	D14/137
D351,803 S *	10/1994	Foley	.....	D10/81
D352,040 S *	11/1994	Rak et al.	.....	D14/240
D366,480 S *	1/1996	Shimizu	.....	D14/242
D409,203 S *	5/1999	Morimiya	.....	D14/242
D442,170 S *	5/2001	Mou	.....	D14/238
6,243,596 B1 *	6/2001	Kikinis	.....	455/572
D480,389 S *	10/2003	Schulz et al.	.....	D14/240
D486,829 S *	2/2004	Wang et al.	.....	D14/433
D496,364 S *	9/2004	Saito	.....	D14/385
D564,520 S *	3/2008	Baseflug et al.	.....	D14/433
D580,437 S *	11/2008	Kiyomiya et al.	.....	D14/358
7,512,416 B2 *	3/2009	Arell et al.	.....	455/557
2006/0256032 A1 *	11/2006	Pourseyed et al.	.....	343/906

2009/0124104 A1\* 5/2009 Zhu et al. .... 439/131

**OTHER PUBLICATIONS**

Design Registration No. 300470579.0000 [Korea], filed on Feb. 9, 2007, registered on Nov. 21, 2007.\*

USB MS/MS PRO/MS-DUO Card Reader Manufacturer, [online], [retrieved on Jan. 8, 2007]. Retrieved from the Internet <URL: http://www.globalsources.com/gsol/1/Memory-card/p/bg/1002053495.htm>.\*

\* cited by examiner

*Primary Examiner*—Cathron C Brooks

*Assistant Examiner*—Karen E Kearney

(74) *Attorney, Agent, or Firm*—Lowe Hauptman Ham & Berner LLP

(57) **CLAIM**

The ornamental design for a dongle for receiving digital TV broadcasting, as shown and described.

**DESCRIPTION**

FIG. 1. is a front elevational view of a dongle for receiving digital TV broadcasting showing my design;

FIG. 2. is a rear elevational view thereof;

FIG. 3. is a left elevational view thereof;

FIG. 4. is a right elevational view thereof;

FIG. 5. is a top plan view thereof;

FIG. 6. is a bottom plan view thereof;

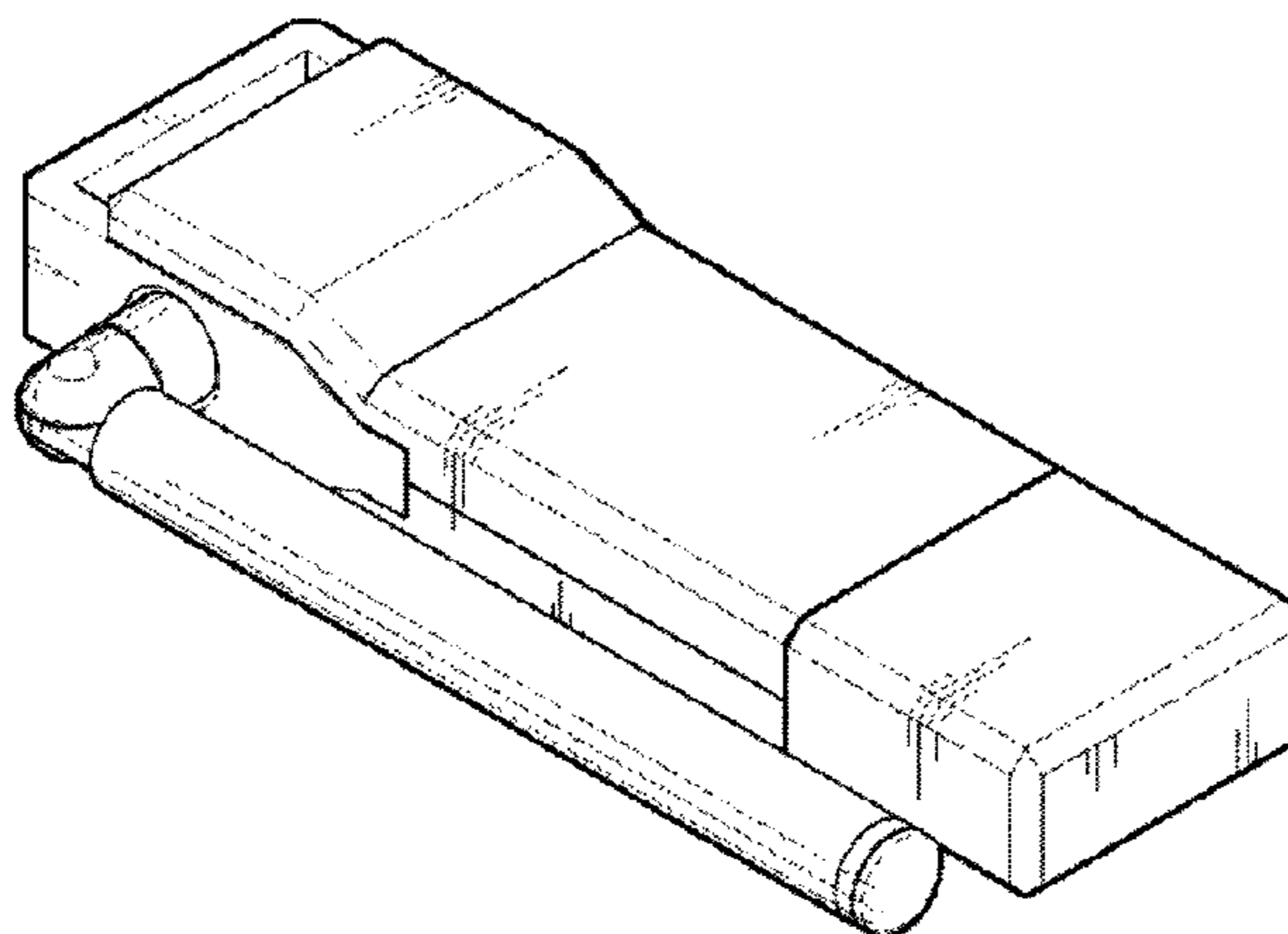
FIG. 7. is a perspective view thereof;

FIG. 8. is a perspective view thereof when its cover for a USB plug is opened;

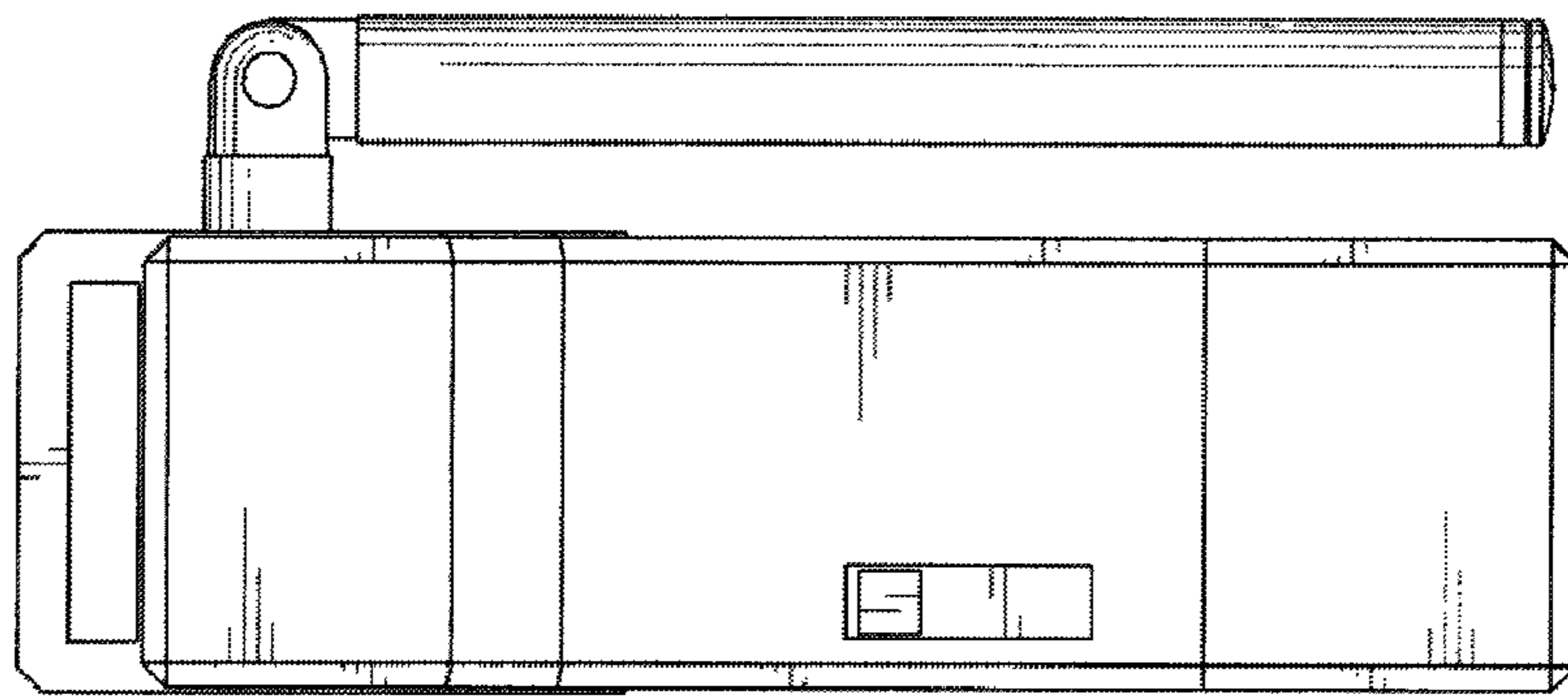
FIG. 9. is a perspective view thereof, with the cover shown removed for ease of illustration; and,

FIG. 10. is a perspective view thereof, with the cover shown removed for ease of illustration, and its RF antenna is extended.

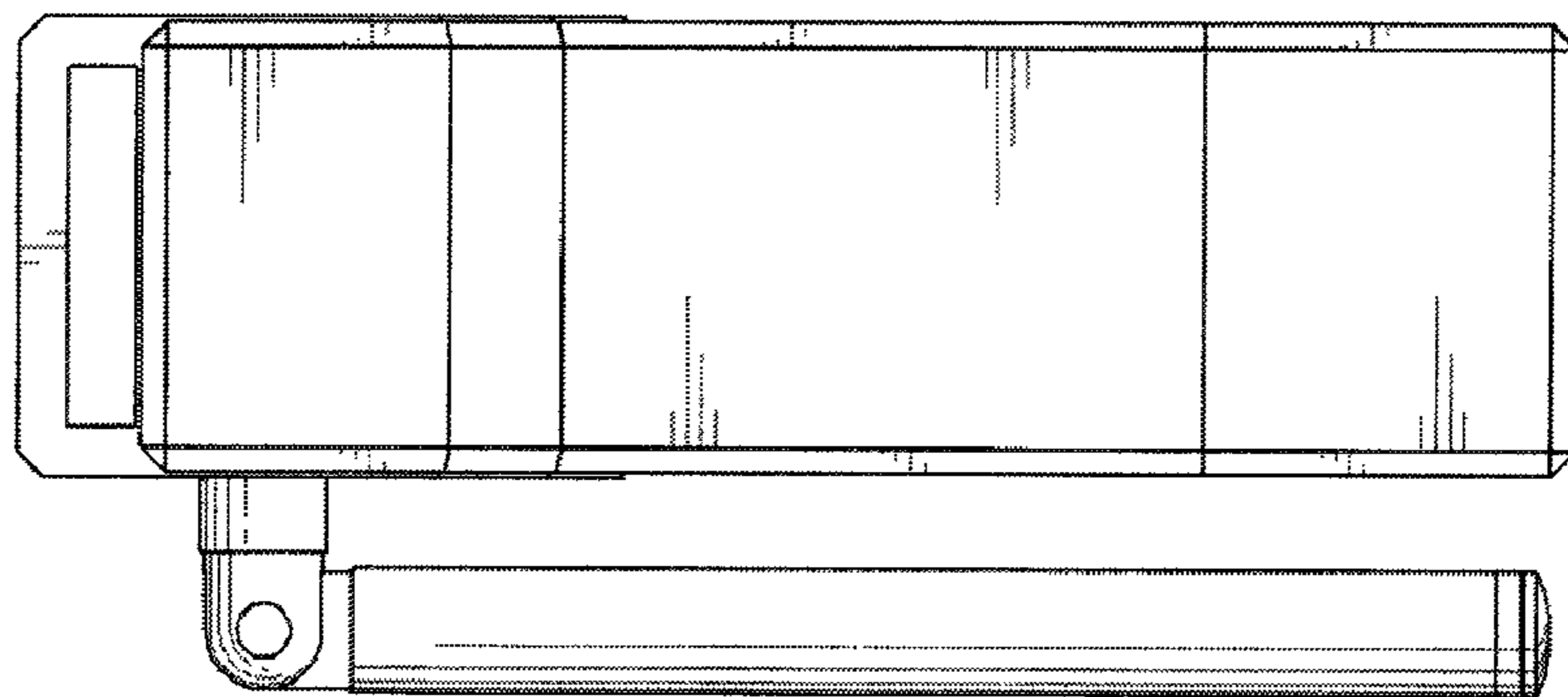
**1 Claim, 6 Drawing Sheets**



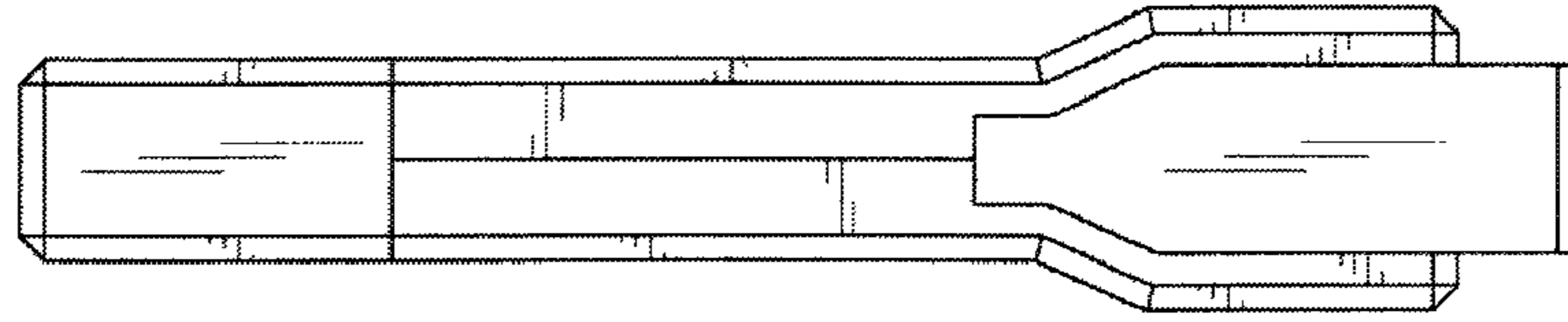
**FIG. 1**



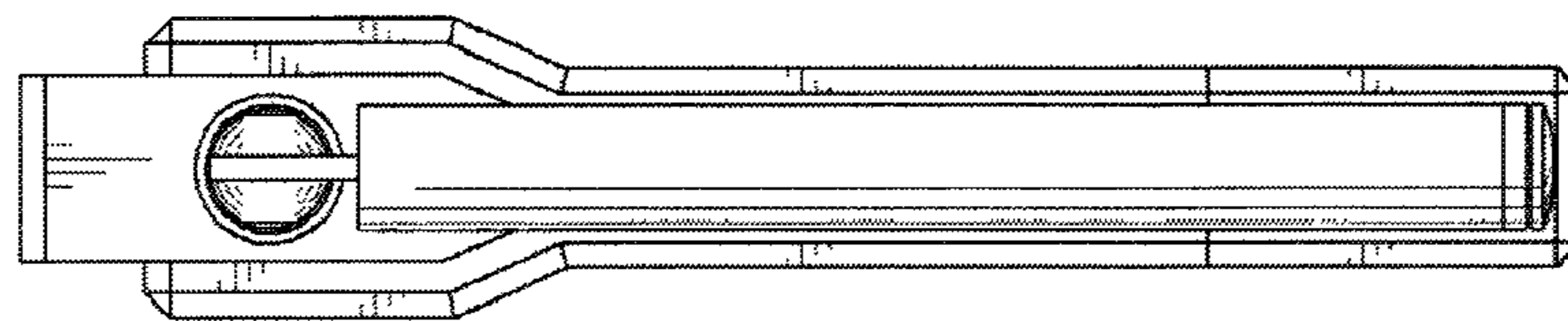
**FIG. 2**



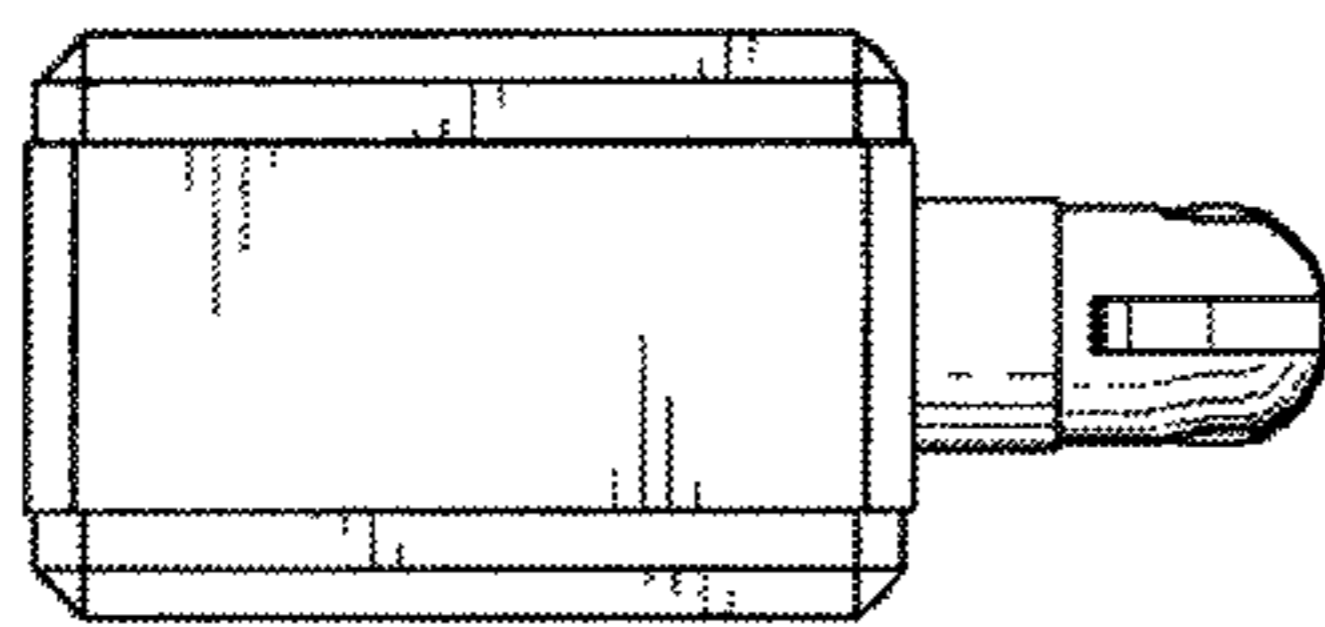
**FIG. 3**



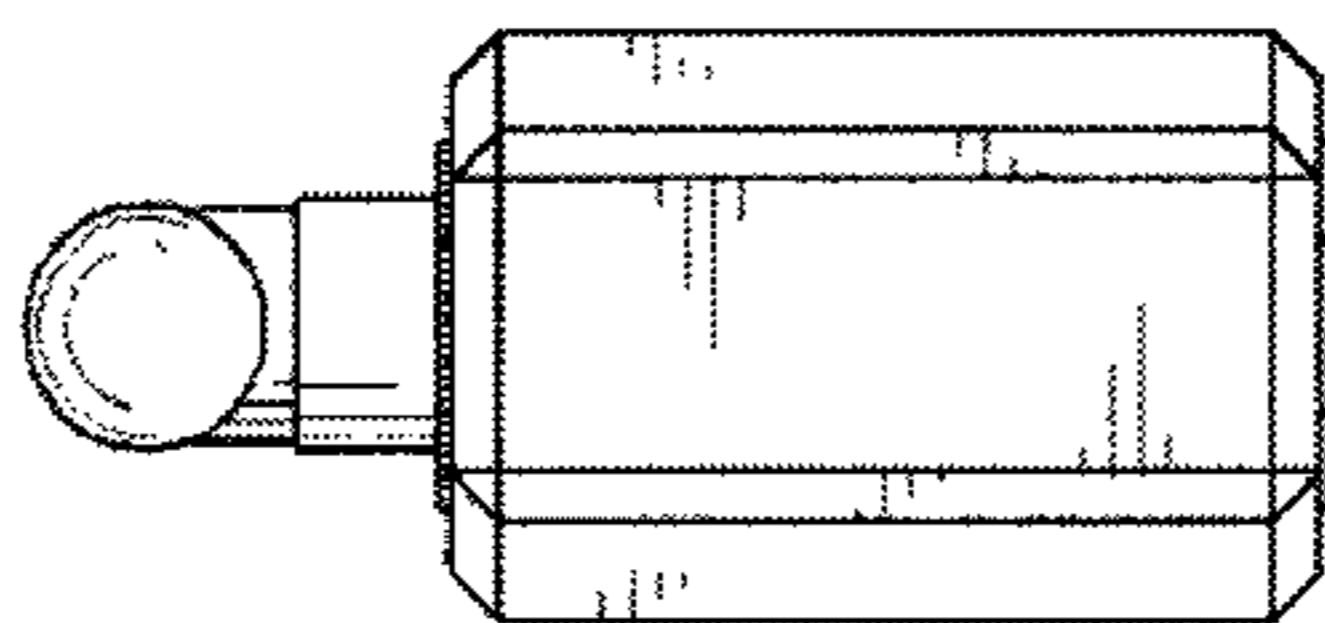
**FIG. 4**



**FIG. 5**



**FIG. 6**



**FIG. 7**

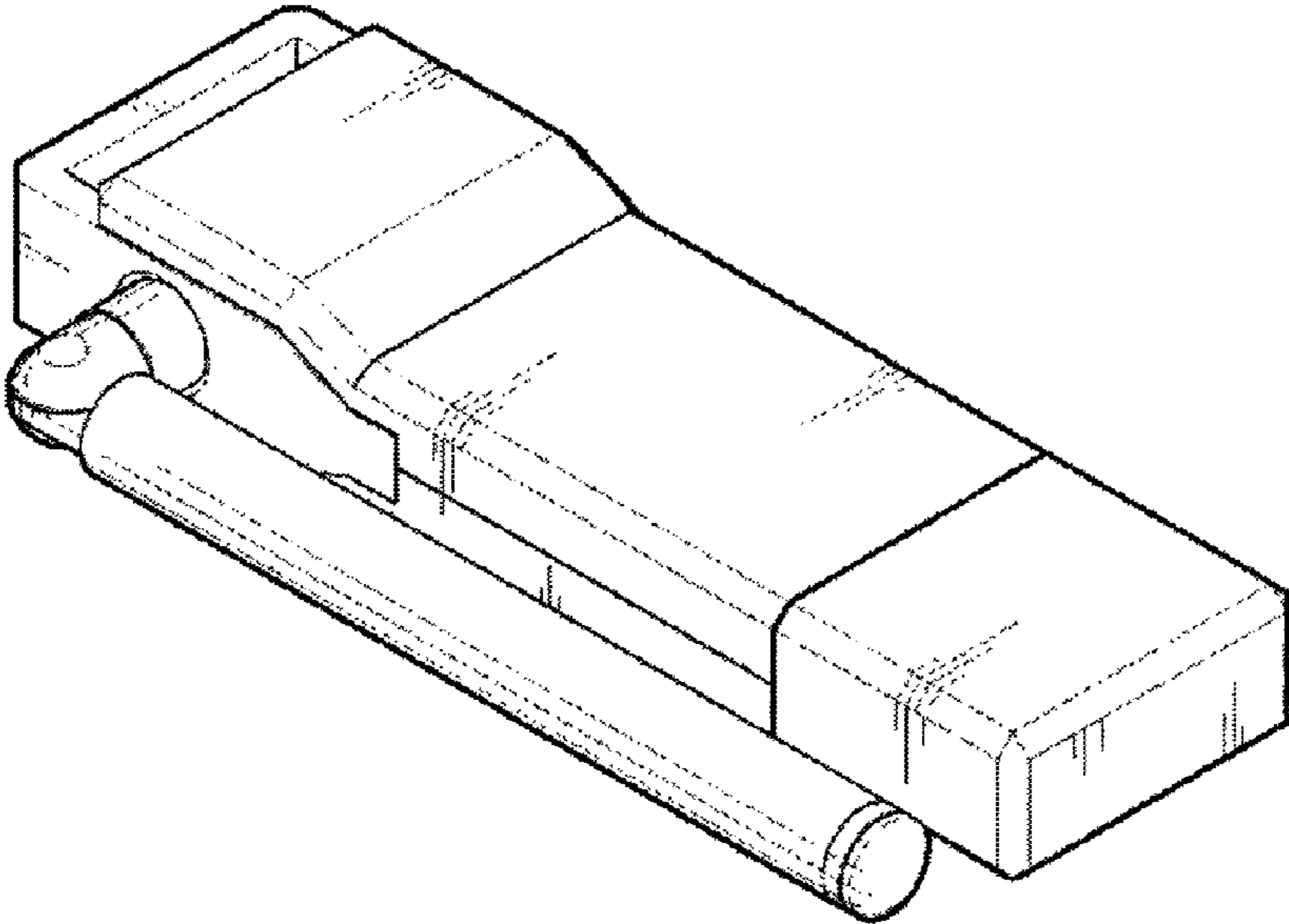


FIG. 8

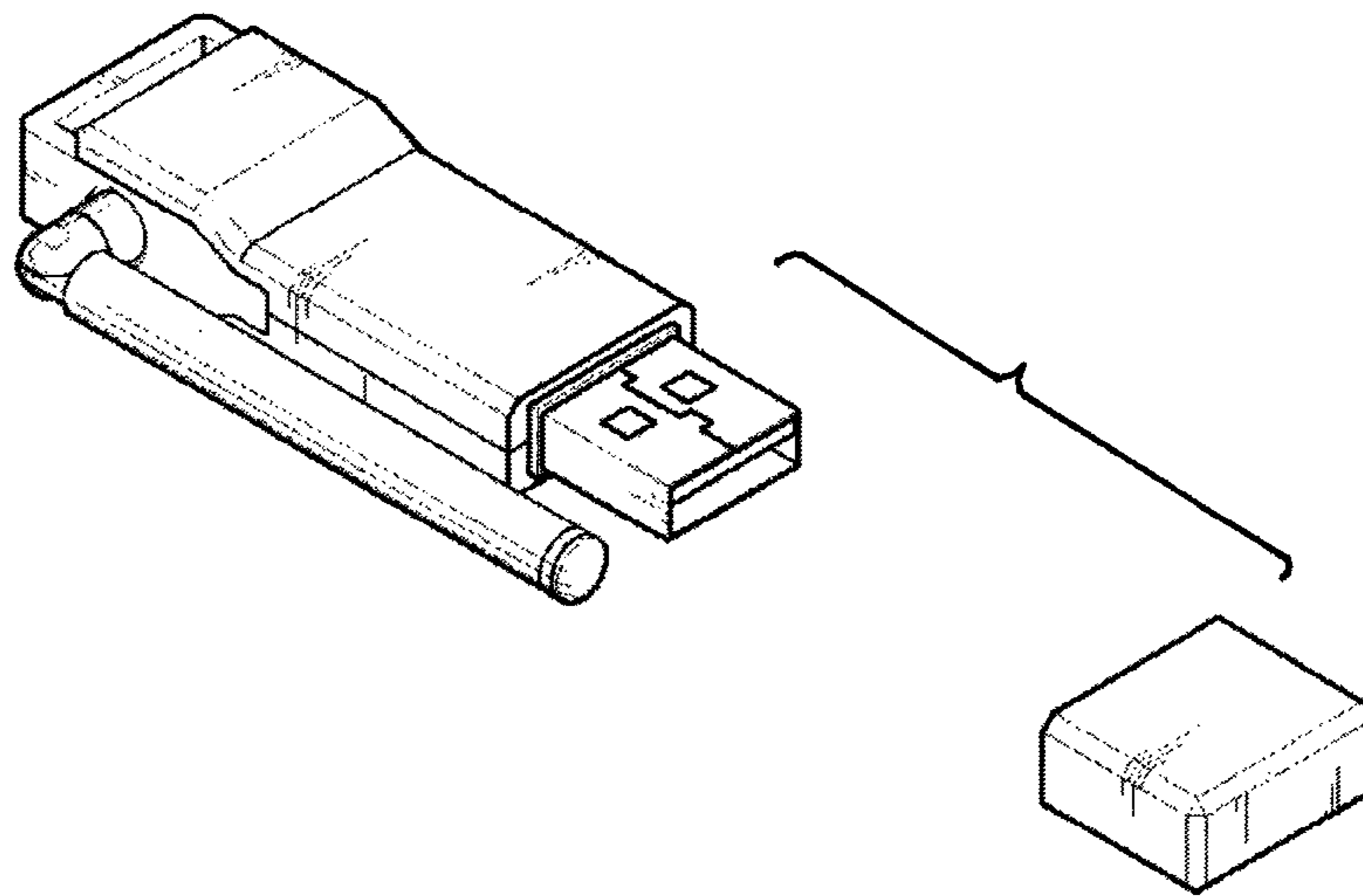


FIG. 9

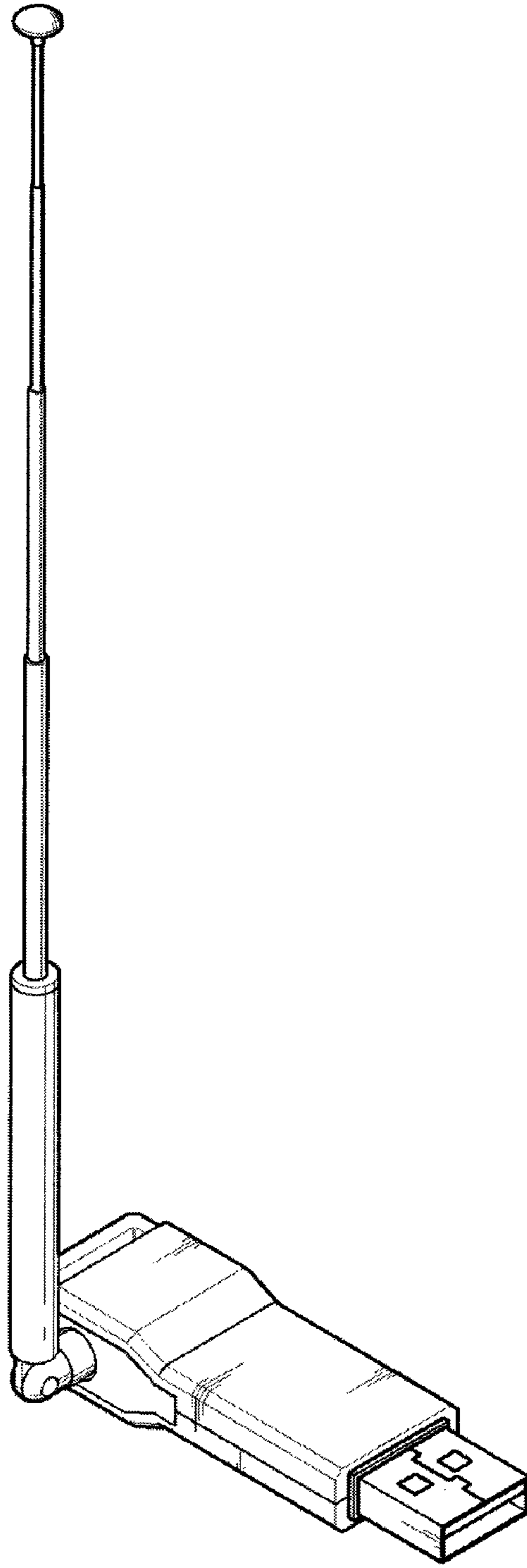


FIG. 10

