



US00D624923S

(12) **United States Design Patent**
Lu

(10) **Patent No.:** **US D624,923 S**
(45) **Date of Patent:** **** Oct. 5, 2010**

(54) **HOUSING FOR A PORTABLE MEMORY DEVICE**

(75) Inventor: **Chen-Yin Lu**, Tainan (TW)

(73) Assignee: **Kingston Technology Corporation**, Fountain Valley, CA (US)

(**) Term: **14 Years**

(21) Appl. No.: **29/316,746**

(22) Filed: **Oct. 28, 2009**

(51) **LOC (9) Cl.** **14-02**

(52) **U.S. Cl.** **D14/480.5**

(58) **Field of Classification Search** D14/356,
D14/411, 433, 435.1, 436, 137, 155, 167,
D14/168, 203.1–203.8, 240, 242, 299, 480.1–480.7,
D14/484.1; D3/201, 273; D13/107, 108,
D13/149, 184; 710/300, 301; 439/131, 135–147;
361/679.31, 679.33, 679.4, 752; 711/100,
711/115

See application file for complete search history.

(56) **References Cited**

U.S. PATENT DOCUMENTS

D317,310 S * 6/1991 Schwartz D14/218
D351,803 S * 10/1994 Foley D10/8
D460,041 S * 7/2002 Tsay et al. D13/107

(Continued)

OTHER PUBLICATIONS

Design Registration Application No. 001164156-0002 [Europe], registered on Sep. 15, 2009.*

Design Registration Application No. 001147235-0001 [Europe], registered on Jun. 18, 2009.*

alibaba.com, [online], [retrieved on Nov. 16, 2006]. Retrieved from the Internet <URL: http://img.alibaba.com/photo/11493648/USB_Flash_Drive.jpg>.*

made-in-china.com, [online], [retrieved on Dec. 13, 2006]. Retrieved from the Internet <URL: http://www.made-in-china.com/servlet/image?compatible=true&tid=2&fid=0&lan_code=0&cache=1&id=DLTEtEadoQUJ>.*

Primary Examiner—Cathron C Brooks

Assistant Examiner—Karen E Kearney

(74) *Attorney, Agent, or Firm*—Duncan Palmatier

(57) **CLAIM**

The ornamental design for the housing for a portable memory device, as shown and described.

DESCRIPTION

FIG. 1 is a rear perspective view of a housing for a portable memory device showing my new design;

FIG. 2 is a top view thereof;

FIG. 3 is a left side view thereof;

FIG. 4 is a bottom view thereof;

FIG. 5 is a right side view thereof;

FIG. 6 is a rear view thereof;

FIG. 7 is a front view thereof;

FIG. 8 is a rear perspective view thereof, showing the design with the cap in the open position;

FIG. 9 is a top view thereof, showing the design with the cap in the open position;

FIG. 10 is a left side view thereof, showing the design with the cap in the open position;

FIG. 11 is a bottom view thereof, showing the design with the cap in the open position;

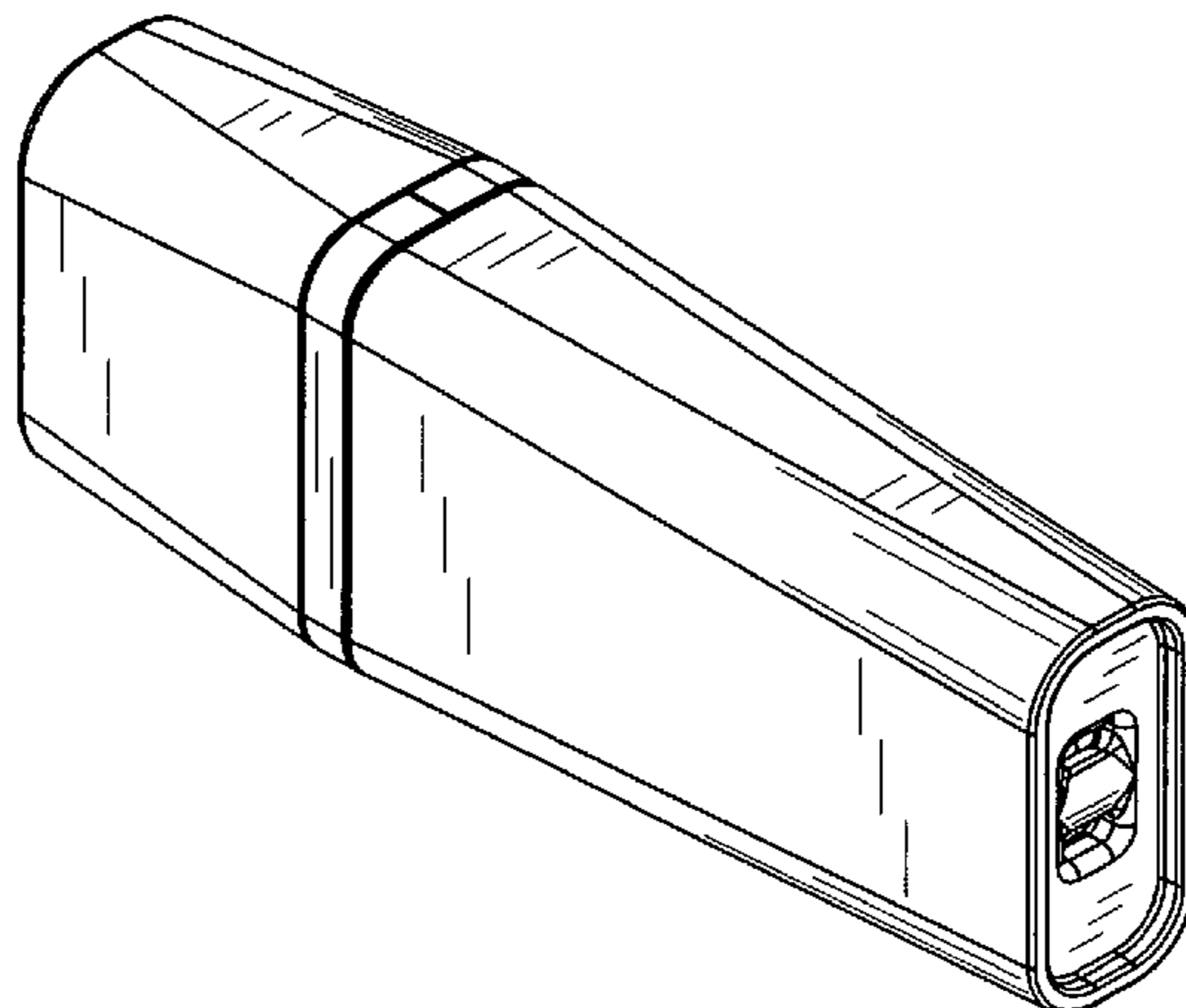
FIG. 12 is a right side view thereof, showing the design with the cap in the open position;

FIG. 13 is a rear view thereof, showing the design with the cap in the open position; and,

FIG. 14 is a front view thereof, showing the design with the cap in the open position.

The broken lines showing the connector feature are for the purpose of illustrating environmental structure and form no part of the claimed design.

1 Claim, 14 Drawing Sheets



US D624,923 S

Page 2

U.S. PATENT DOCUMENTS

D462,689 S *	9/2002	Moran	D14/433	D546,326 S *	7/2007	Chen	D14/356
D480,389 S *	10/2003	Schulz et al.	D14/240	D607,462 S *	1/2010	Chen	D14/480.5
D486,829 S *	2/2004	Wang et al.	D14/433	D612,859 S *	3/2010	Bridge et al.	D14/480.5
D488,464 S *	4/2004	Lin et al.	D14/242	2008/0156871 A1 *	7/2008	Fidalgo et al.	361/684
D542,788 S *	5/2007	Gutmann et al.	D14/480.5	2008/0233776 A1 *	9/2008	Tang et al.	439/131

* cited by examiner

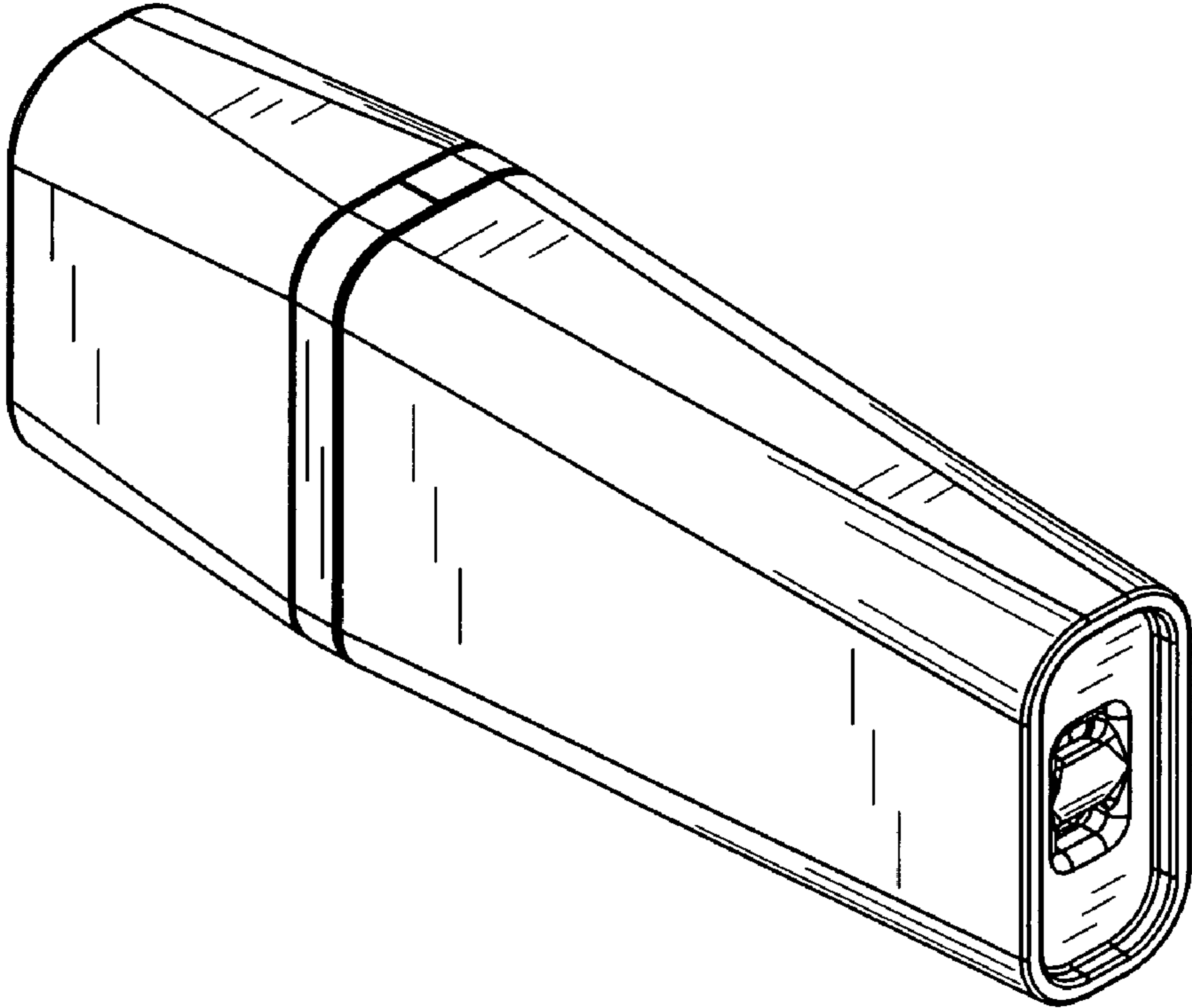


FIG. 1

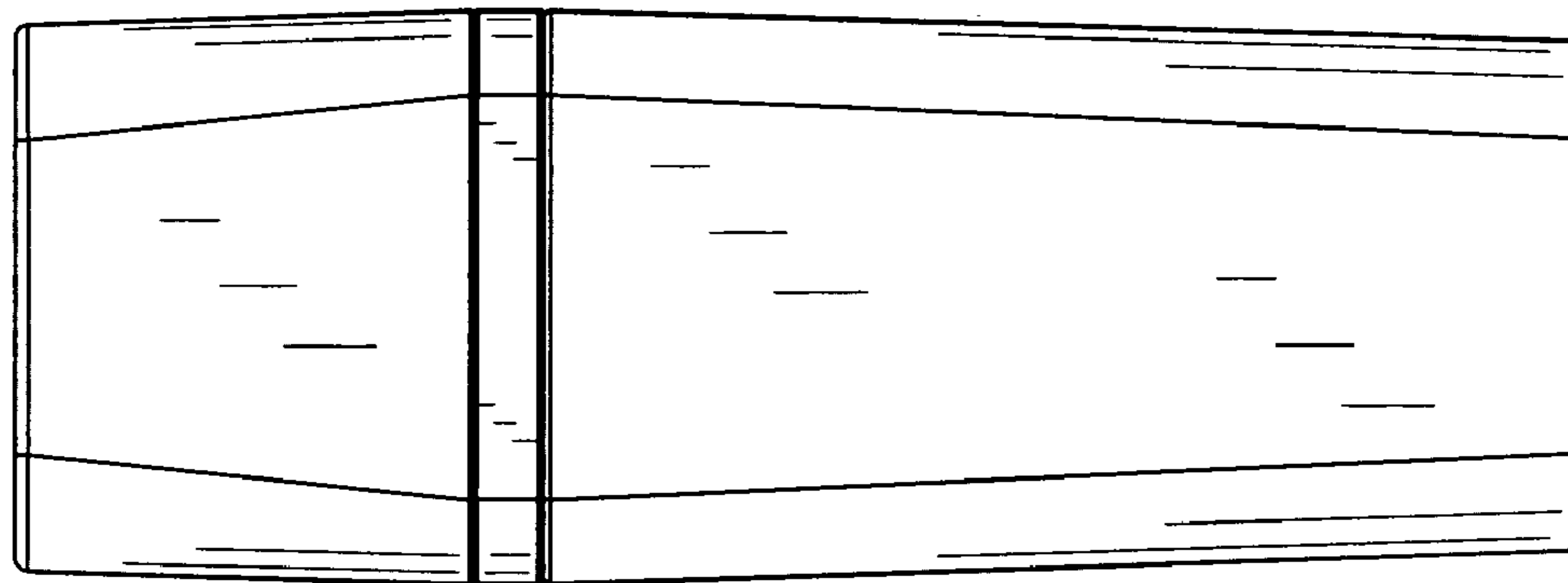


FIG. 2

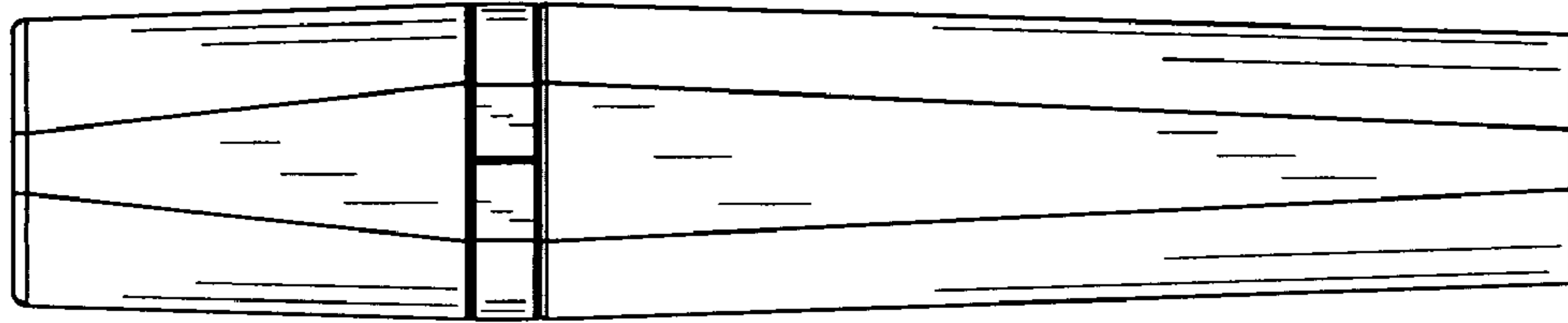


FIG. 3

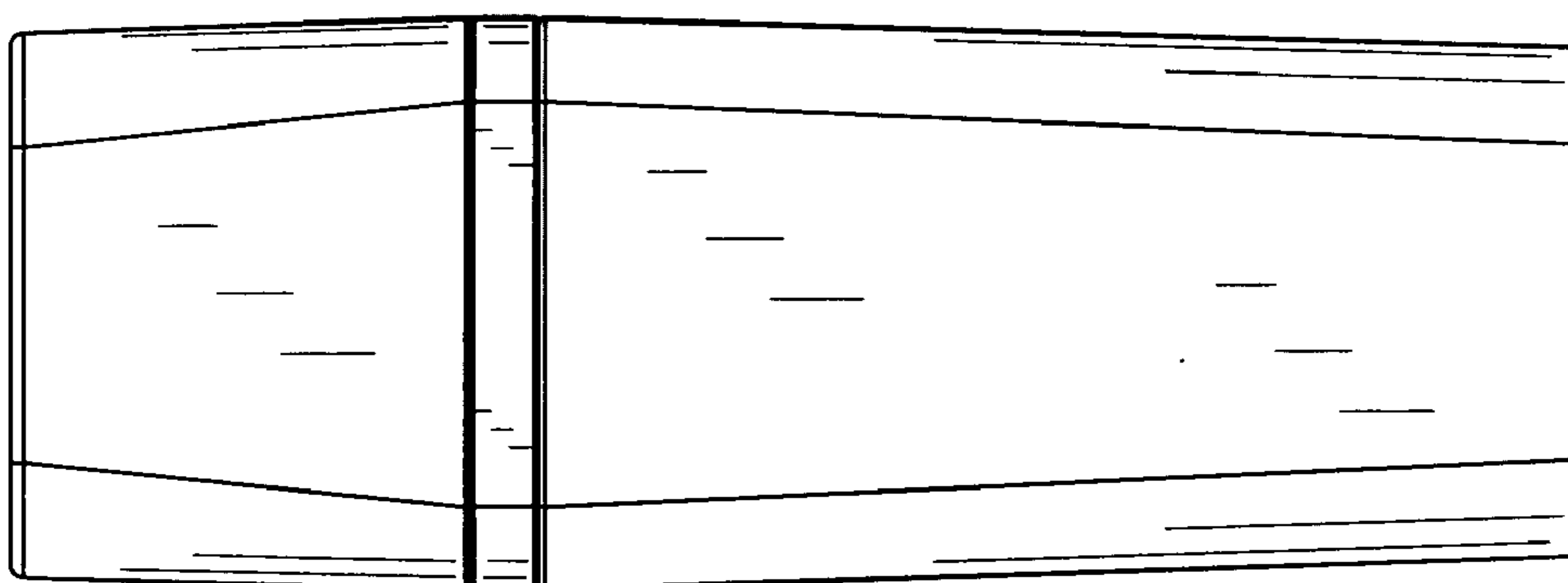


FIG. 4

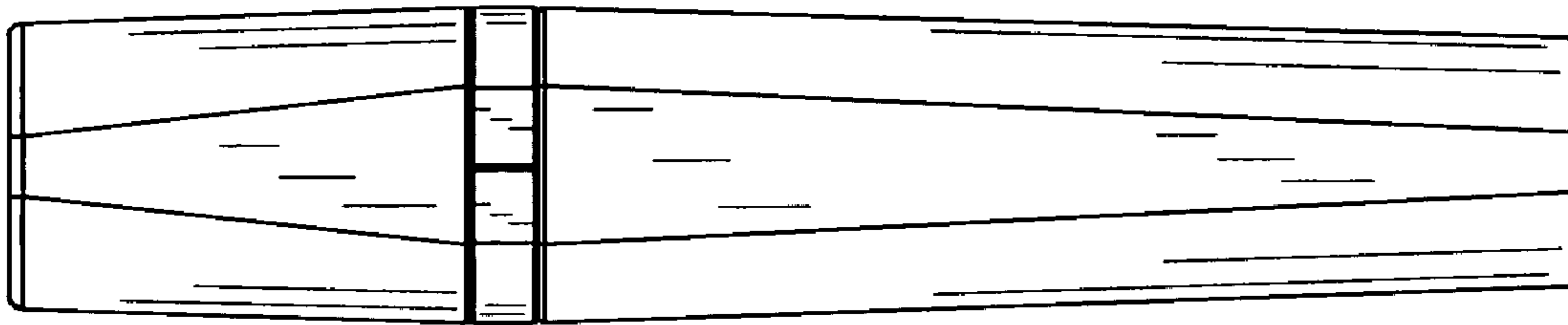


FIG. 5

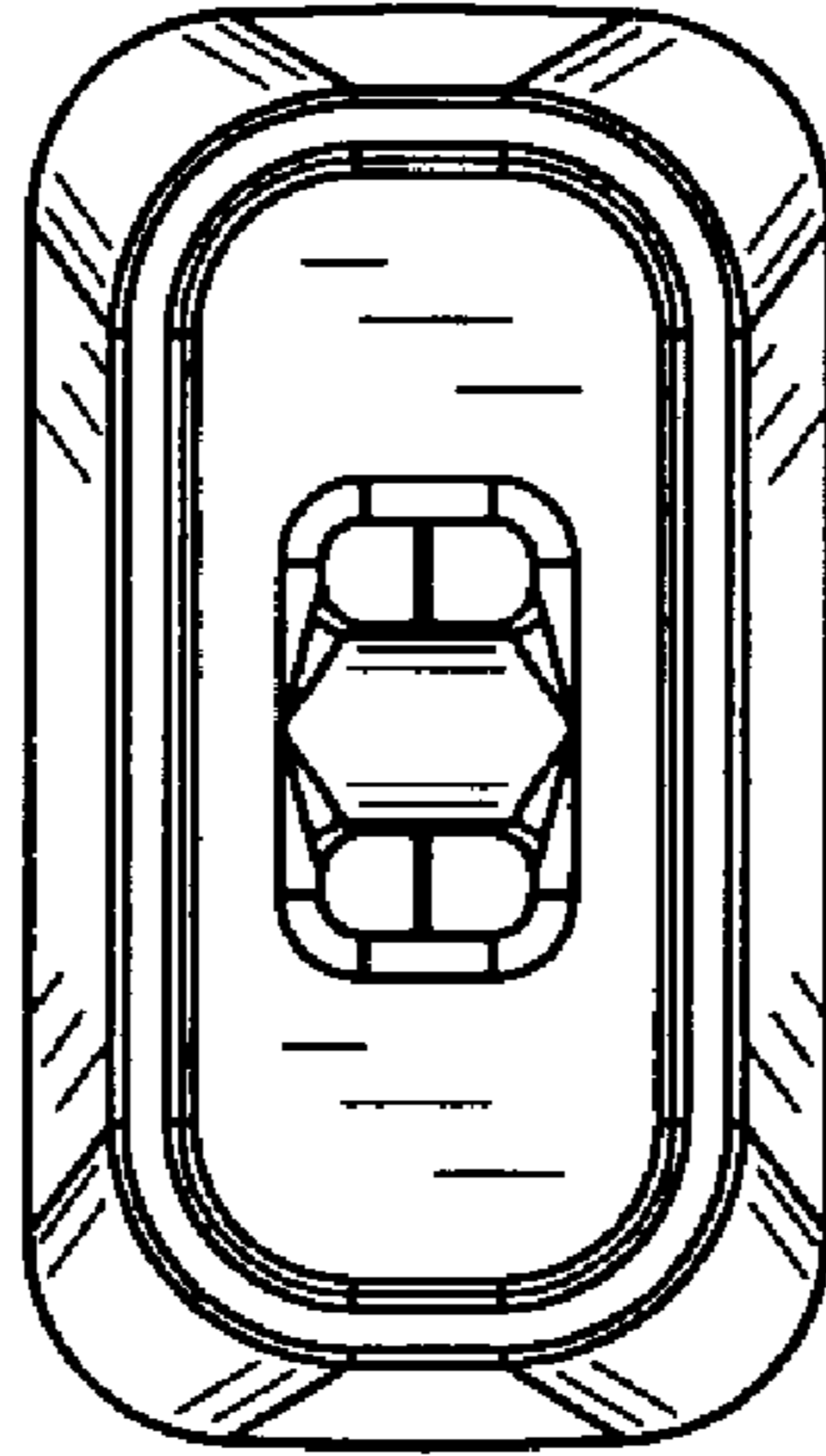


FIG. 6

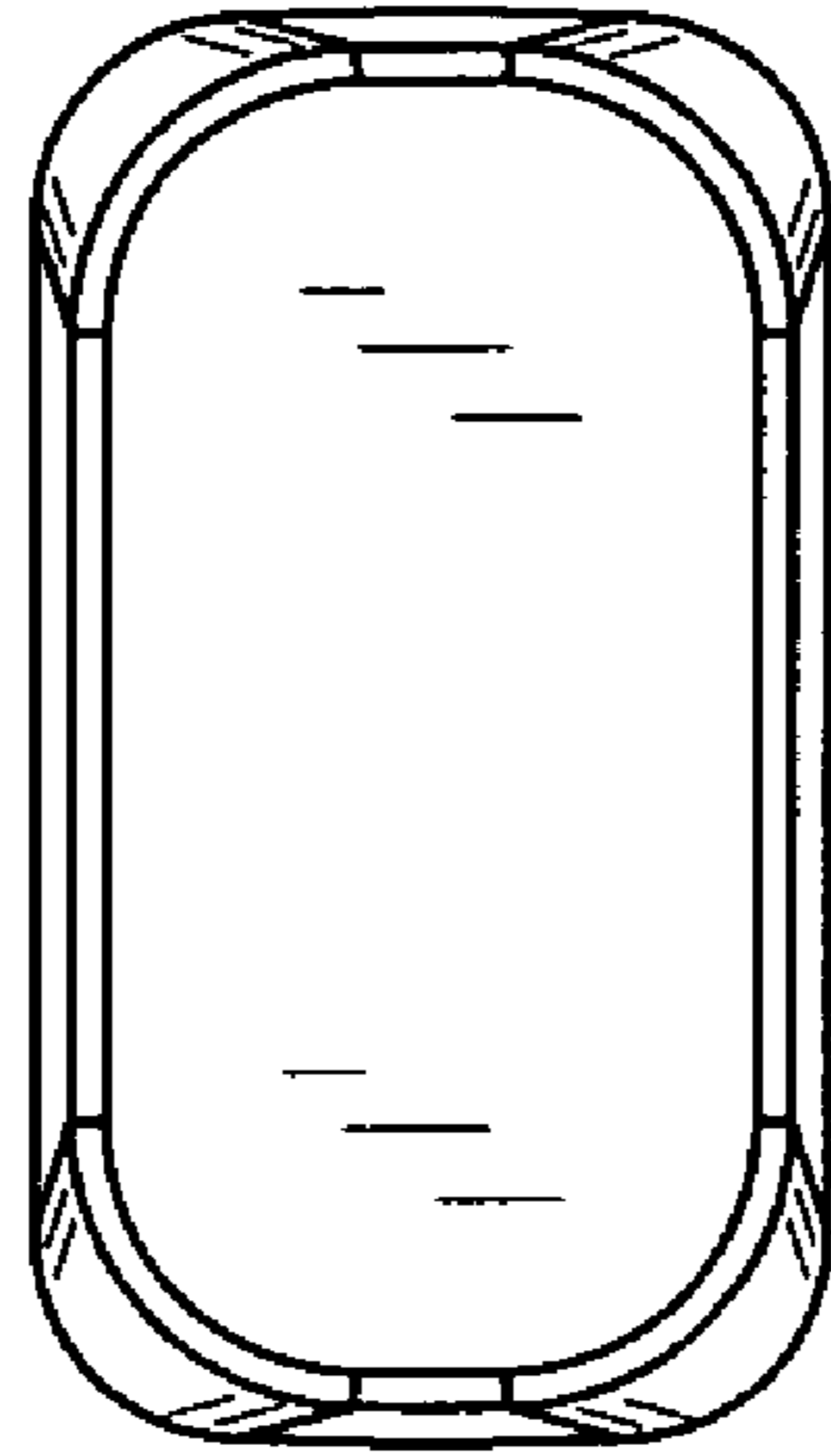


FIG. 7

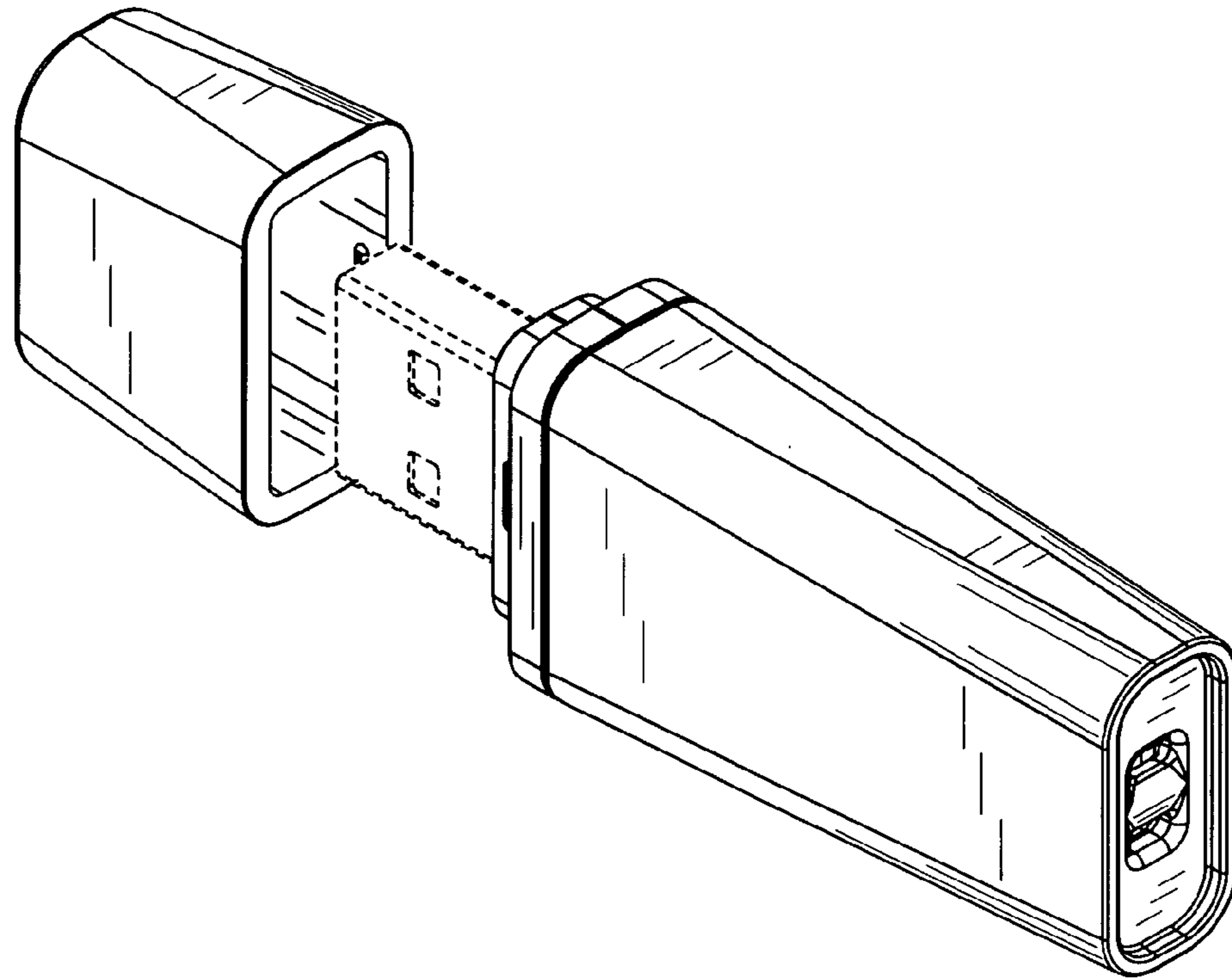


FIG. 8

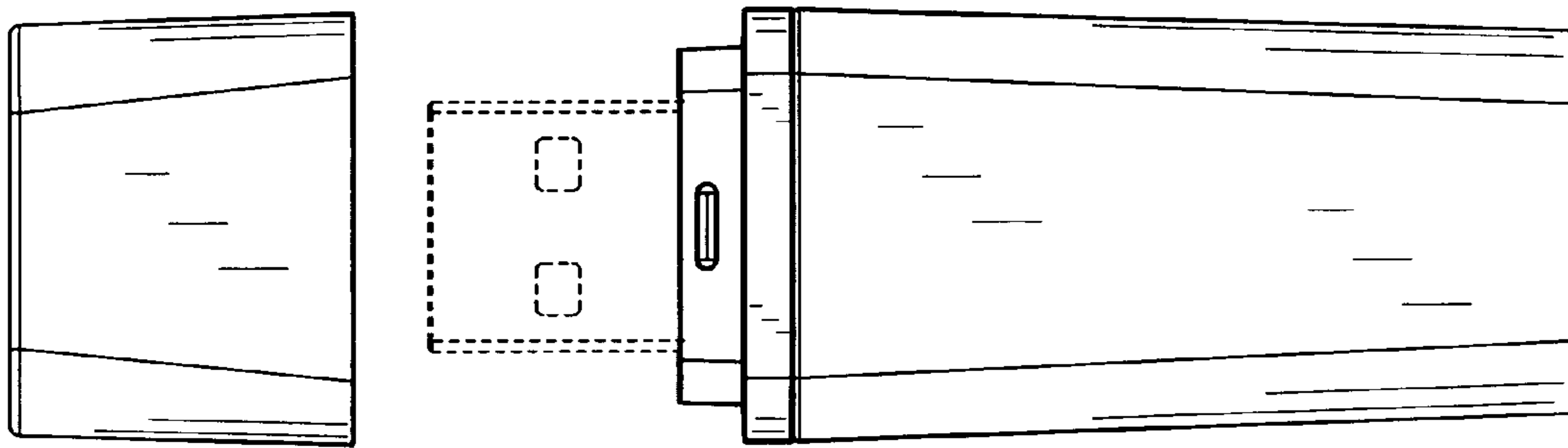


FIG. 9

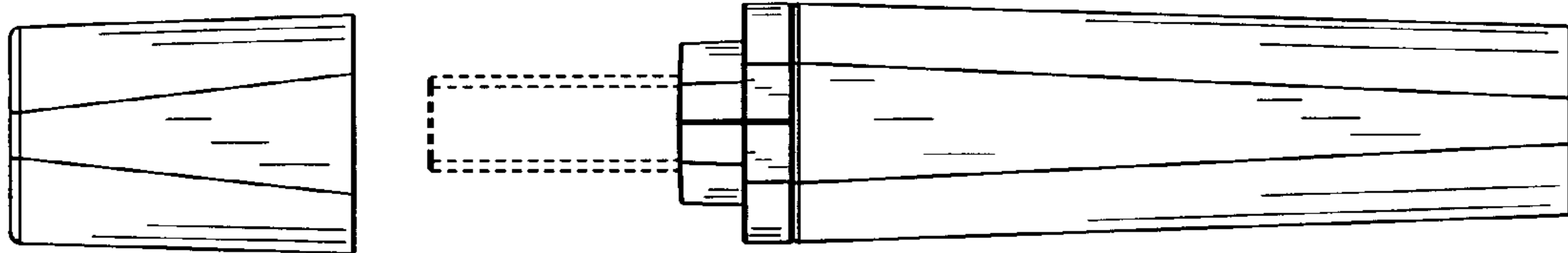


FIG. 10

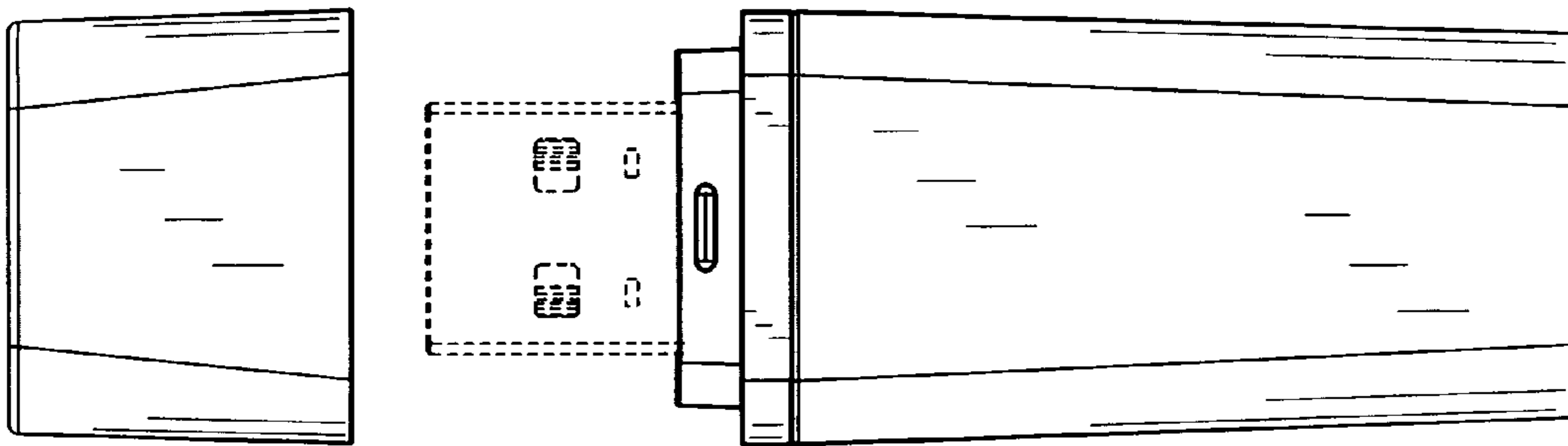


FIG. 11

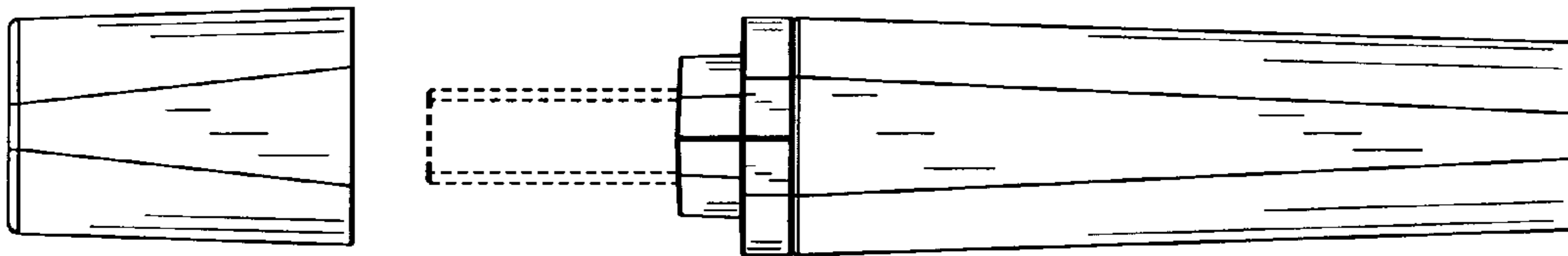


FIG. 12

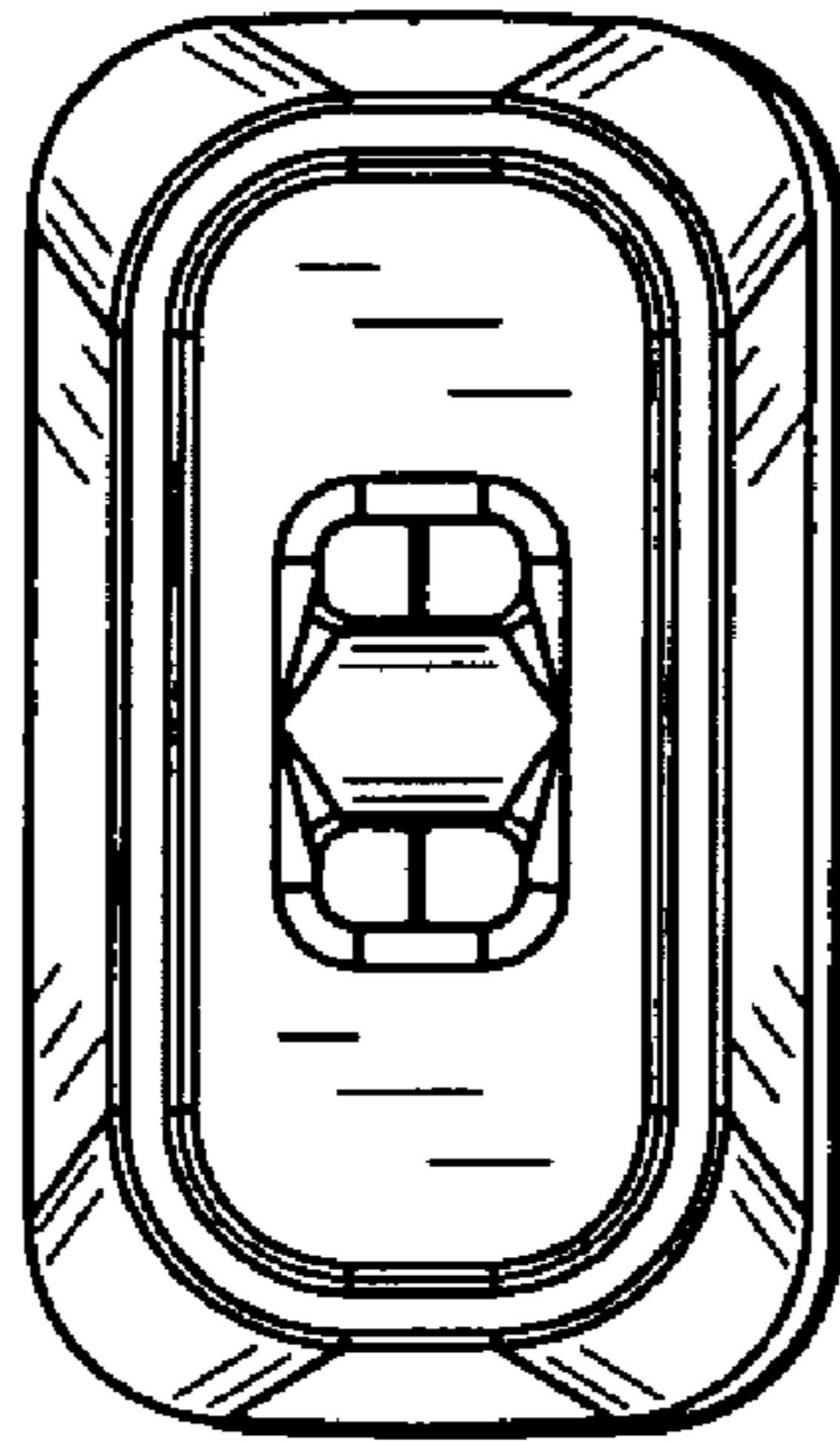


FIG. 13

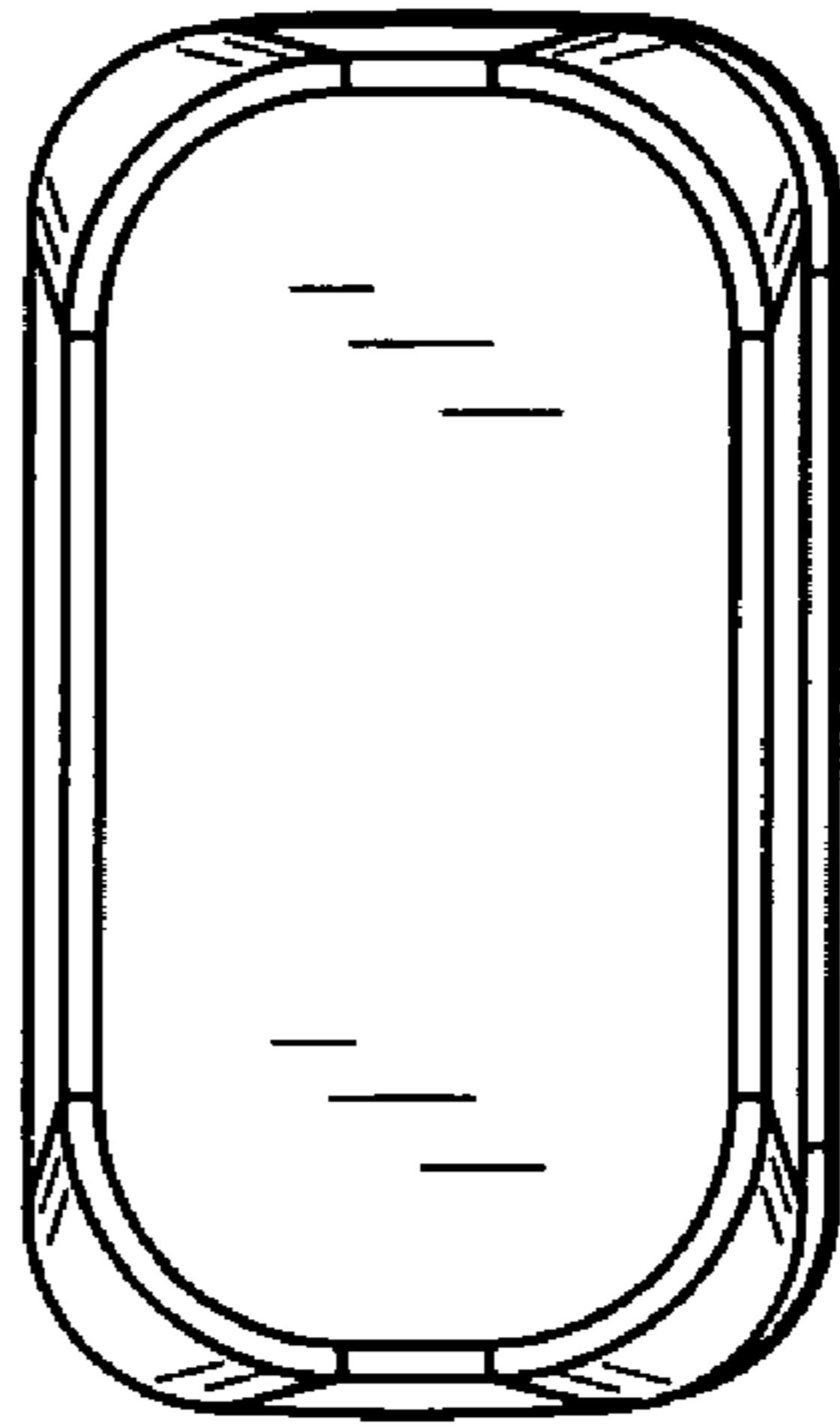


FIG. 14