



US00D624922S

(12) **United States Design Patent**
Hui et al.

(10) **Patent No.:** **US D624,922 S**
(45) **Date of Patent:** **** Oct. 5, 2010**

(54) **LAPTOP STAND**

(75) Inventors: **Fai Hui**, Flat J, 12/F, Block 6 Aldrich Garden, No. 2 Ol Lai, Shaukeiwan (HK);
Lans Hansen, Nelson (NZ)

(73) Assignee: **Fai Hui**, Hong Kong (HK)

(**) Term: **14 Years**

(21) Appl. No.: **29/336,524**

(22) Filed: **May 5, 2009**

(51) **LOC (9) Cl.** **08-07**

(52) **U.S. Cl.** **D14/447**

(58) **Field of Classification Search** D14/447,
D14/451, 452, 432, 439, 448, 457, 203.8,
D14/217, 224, 224.1, 238.1, 239, 251, 252,
D14/253, 371, 372, 373, 374, 375, 376, 377,
D14/378, 379, 381, 382, 434; D6/310, 311,
D6/312, 313, 314, 406.3, 406.4, 406.5, 406.6,
D6/419, 420; D8/383, 373, 380; D12/415;
379/454, 455; 312/223.3; 248/917, 918,
248/919, 920, 921, 922, 923, 924, 447.2,
248/455, 460, 228.6, 276.1, 281.11; 361/679.02,
361/679.04, 679.06, 679.07, 679.09, 679.21,
361/679.26, 679.27, 679.3, 679.55, 679.56
See application file for complete search history.

(56) **References Cited**

U.S. PATENT DOCUMENTS

4,726,556 A * 2/1988 Weir 248/454
D360,776 S * 8/1995 Blue D6/406.6

D385,126 S * 10/1997 Howland et al. D6/406.6
D390,718 S * 2/1998 Howland et al. D6/406.6
D398,458 S * 9/1998 Martell D6/420
D410,910 S * 6/1999 Martell D14/457
6,044,758 A * 4/2000 Drake 100/43
D480,088 S * 9/2003 Bakker et al. D14/447
D492,133 S * 6/2004 Richter D6/419
D505,803 S * 6/2005 Mason D6/406.6
D554,647 S * 11/2007 Chan D14/447
D573,598 S * 7/2008 Chu D14/447
D596,187 S * 7/2009 Martell D14/447

* cited by examiner

Primary Examiner—Angela J Lee

(74) *Attorney, Agent, or Firm*—Ella Cheong (Hong Kong) Ltd.

(57) **CLAIM**

The ornamental design for a laptop stand, as shown and described.

DESCRIPTION

FIG. 1 is a front perspective view of the laptop stand;

FIG. 2 is a front elevation view thereof;

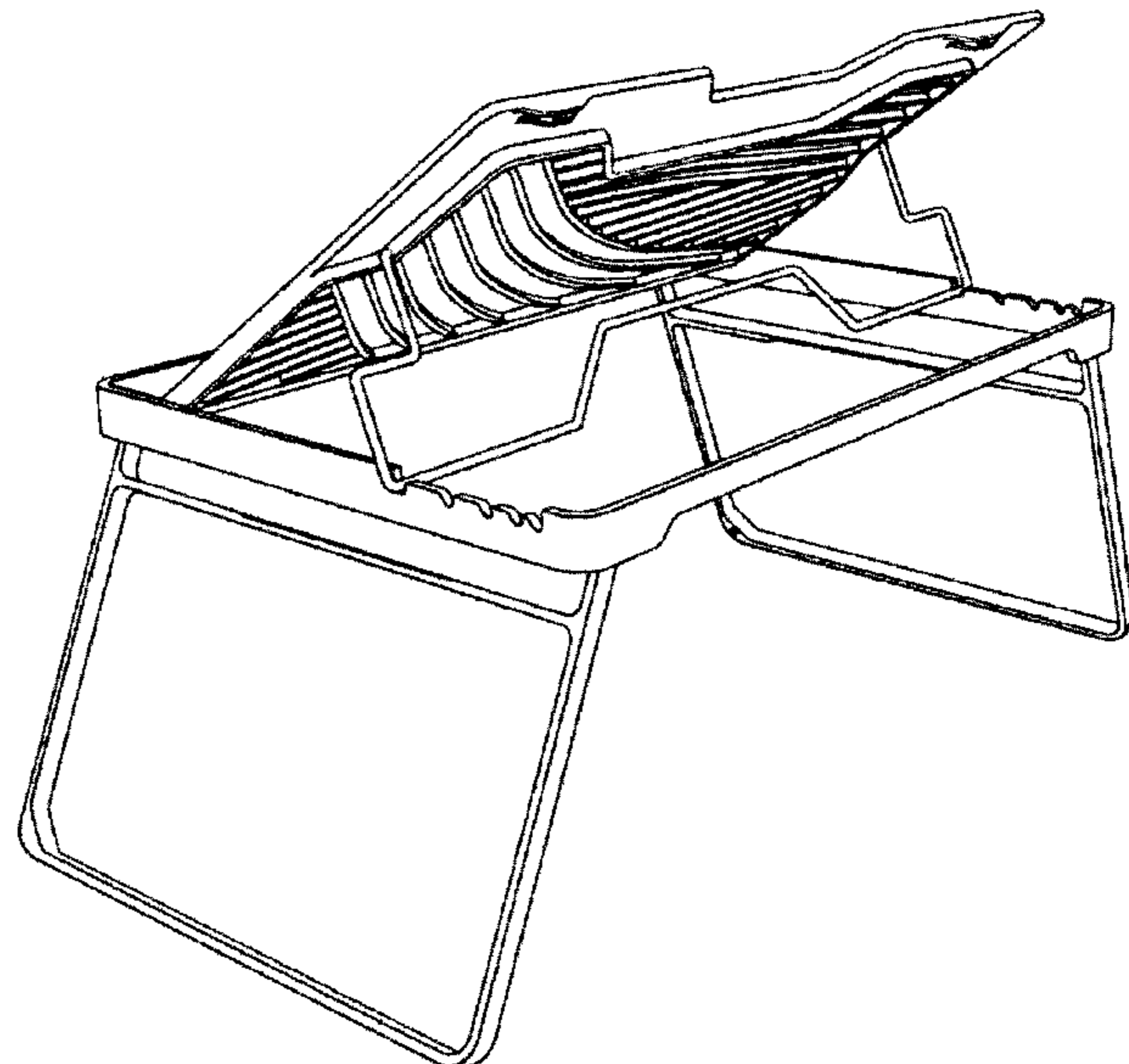
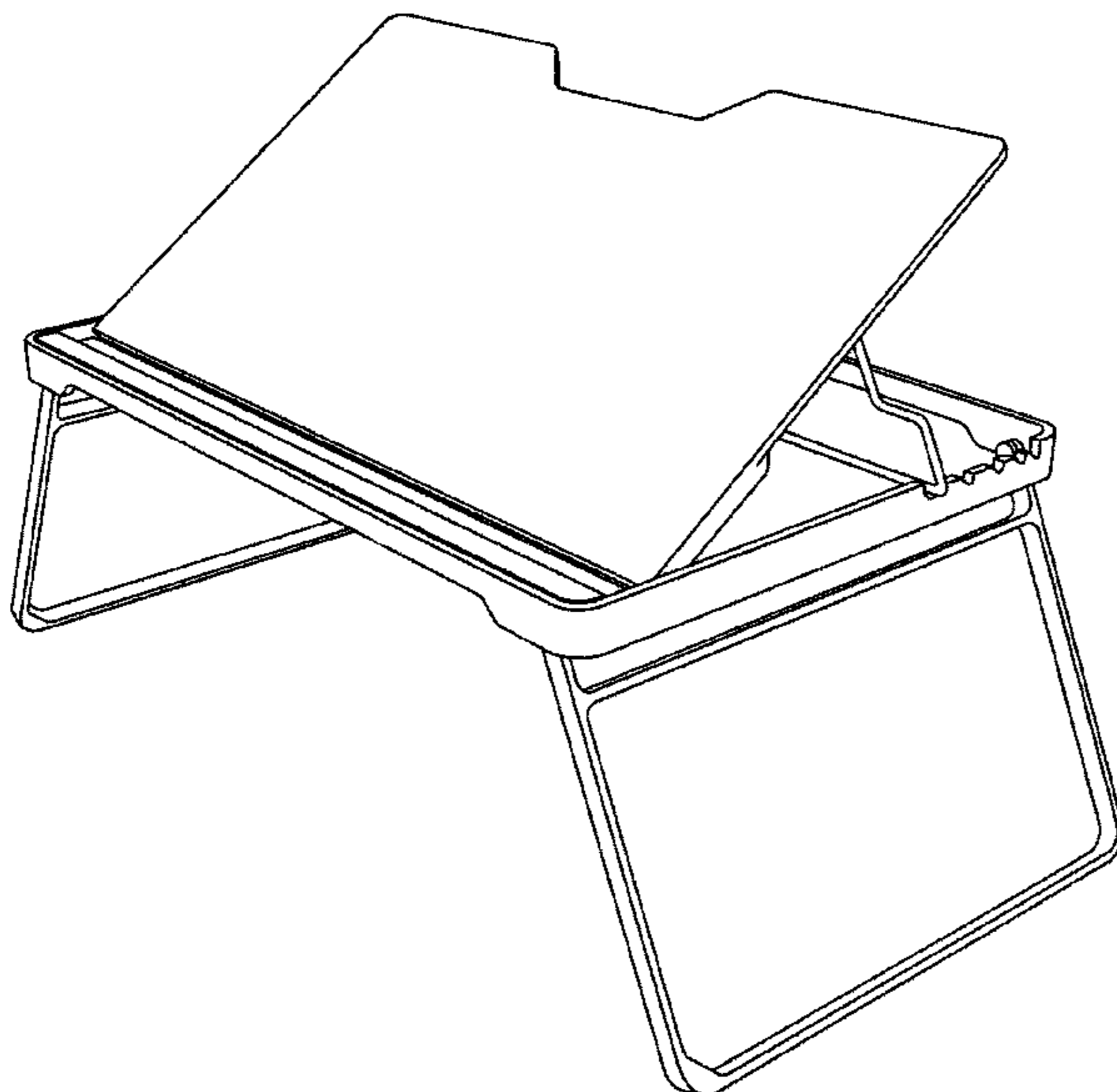
FIG. 3 is a first side elevation view thereof, the second side elevation view is the mirror image of the first side elevation view;

FIG. 4 is a rear elevation view thereof;

FIG. 5 is a top plan view thereof; and,

FIG. 6 is a rear perspective view thereof.

1 Claim, 6 Drawing Sheets



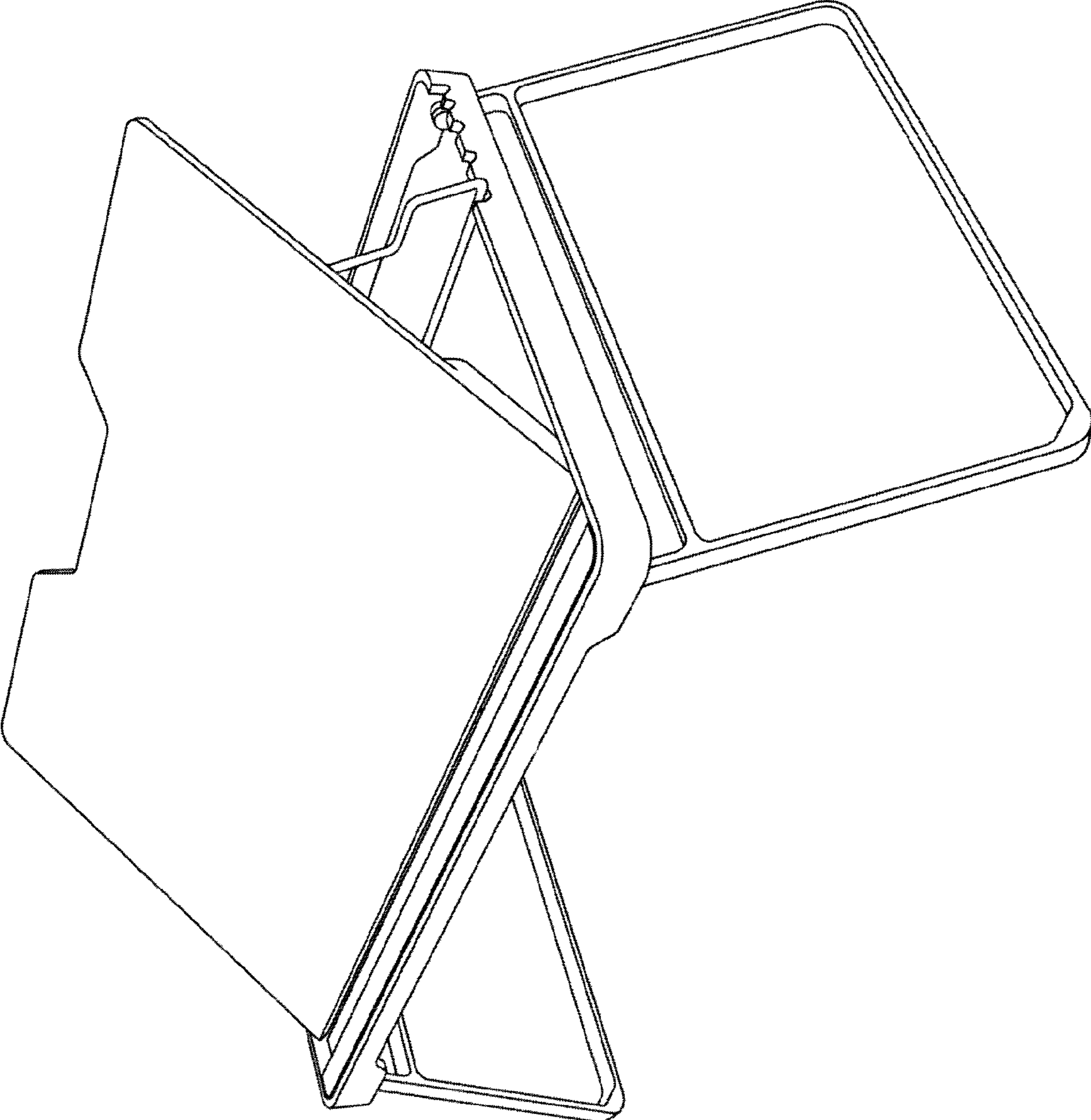


FIG. 1

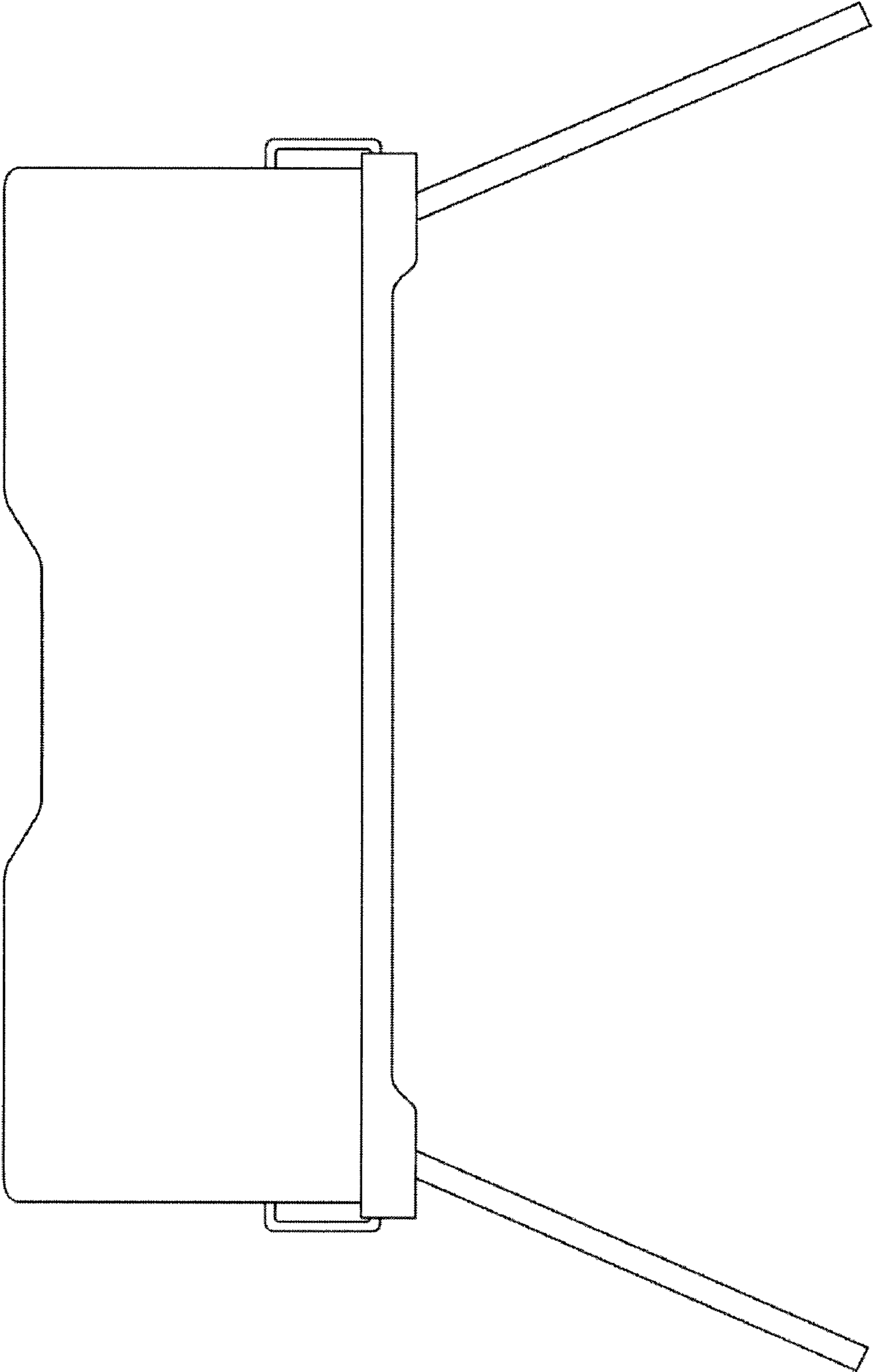


FIG. 2

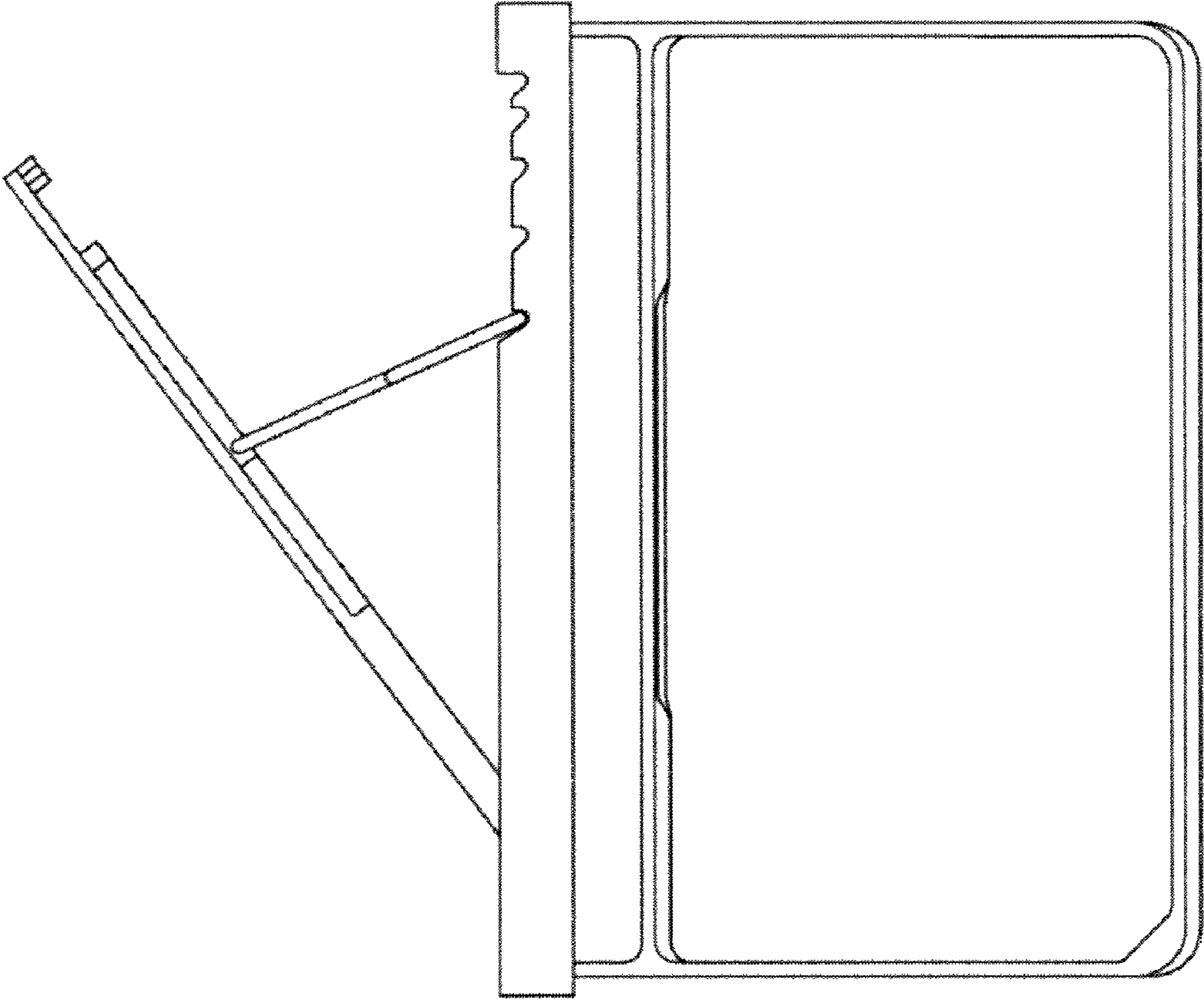


FIG. 3

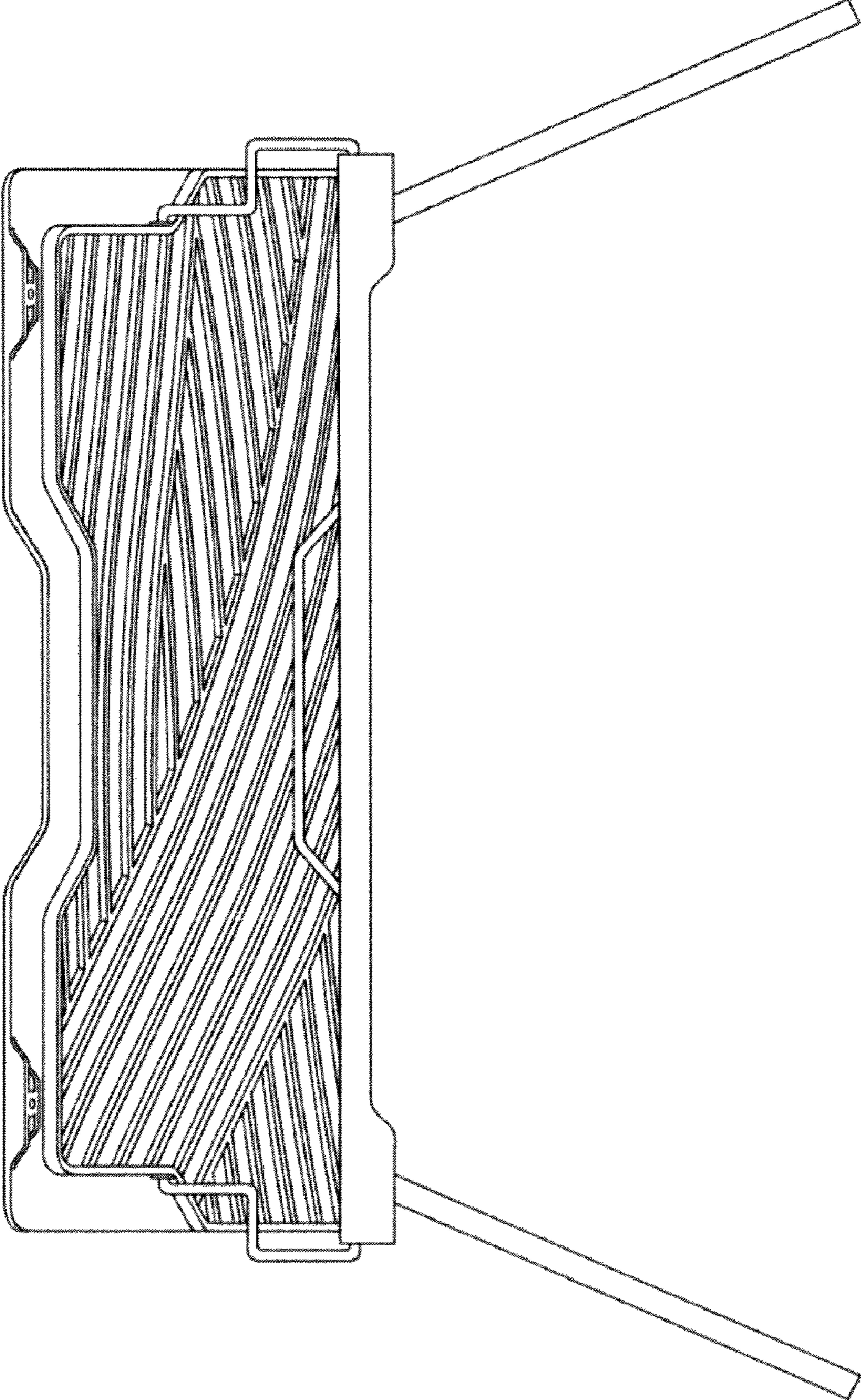


FIG. 4

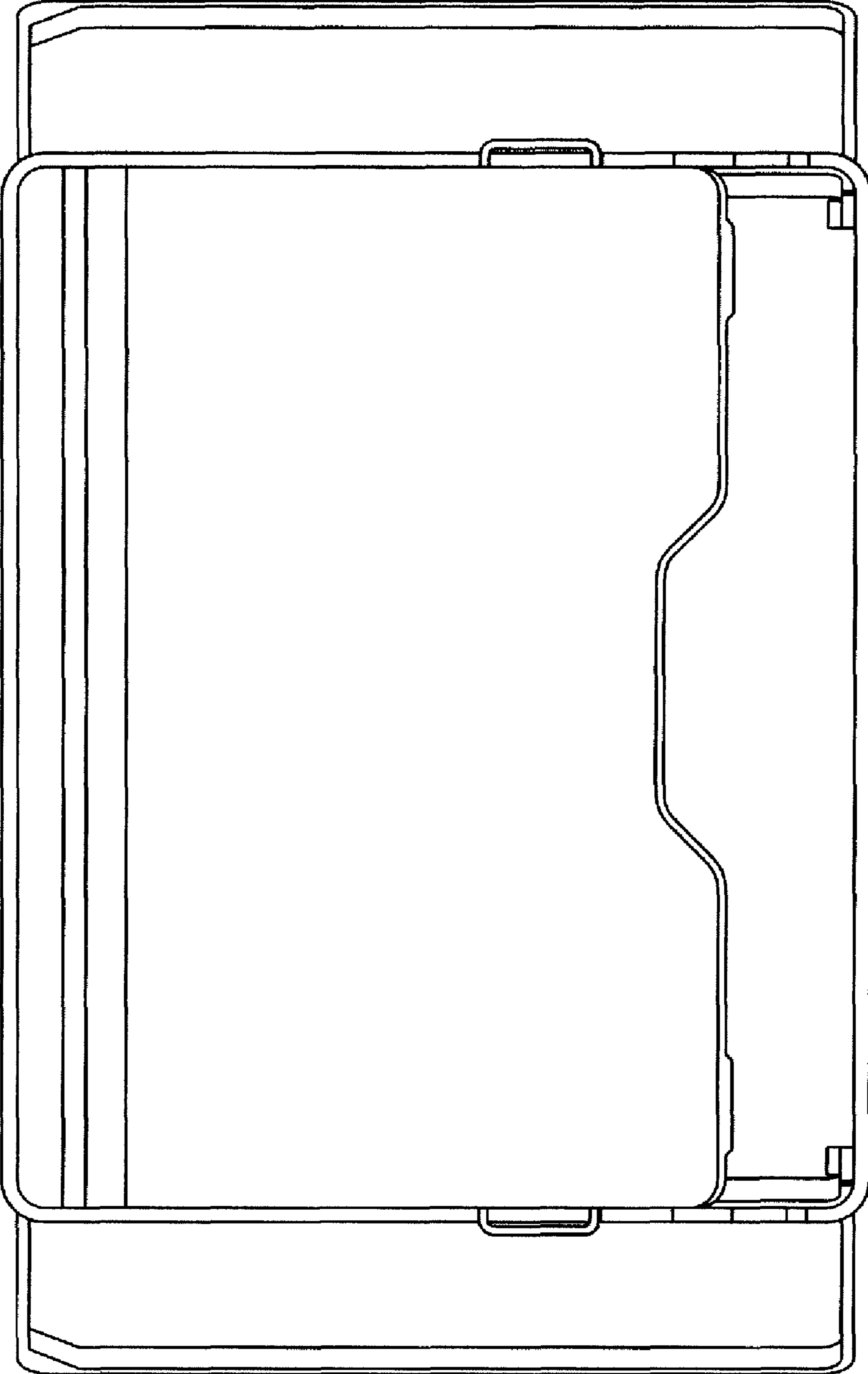


FIG. 5

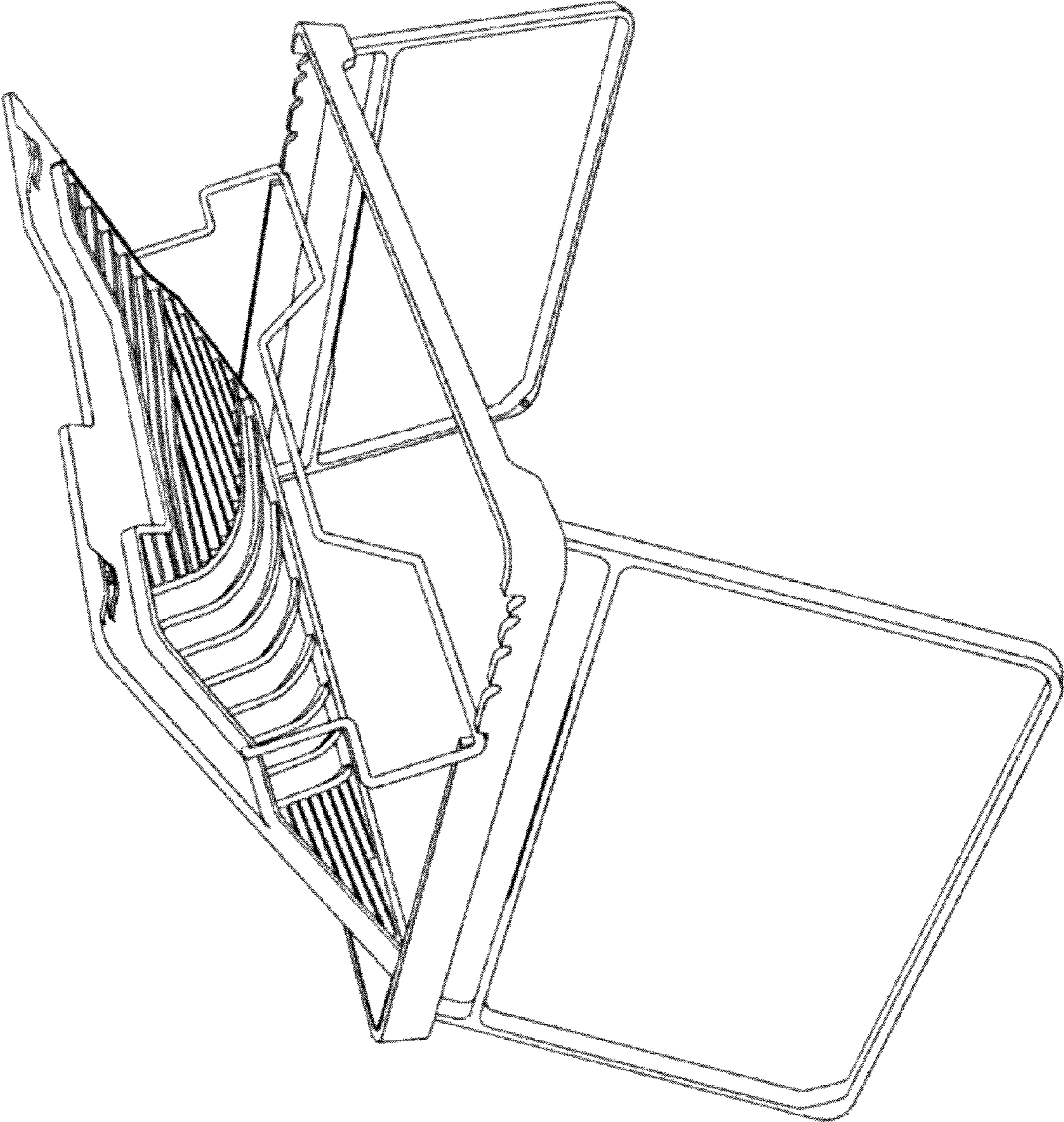


FIG. 6