



US00D624919S

(12) **United States Design Patent**
Bull

(10) **Patent No.:** **US D624,919 S**

(45) **Date of Patent:** **** Oct. 5, 2010**

(54) **DOCKING STATION**

(75) Inventor: **Jeffrey W. Bull**, Naperville, IL (US)

(73) Assignees: **Buffalo, Inc.**, Nagoya (JP); **Buffalo Technology (USA), Inc.**, Austin, TX (US)

(**) Term: **14 Years**

(21) Appl. No.: **29/340,063**

(22) Filed: **Jul. 13, 2009**

(51) **LOC (9) Cl.** **14-02**

(52) **U.S. Cl.** **D14/434**

(58) **Field of Classification Search** D14/432-434,
D14/314, 204; D13/108, 146; D23/314,
D23/328; 248/346.03; 361/679.41, 679.31,
361/679.32, 679.4, 679.43; 70/58; D21/333;
320/112; 348/375

See application file for complete search history.

(56) **References Cited**

U.S. PATENT DOCUMENTS

D374,660	S	*	10/1996	Holmes et al.	D14/392
5,619,397	A	*	4/1997	Honda et al.	361/679.43
5,627,727	A	*	5/1997	Aguilera et al.	361/679.43
D442,141	S	*	5/2001	Ikenaga	D13/107
D454,131	S	*	3/2002	Lord	D14/434
D472,900	S	*	4/2003	Matsumoto	D14/447
D474,737	S	*	5/2003	Yoshida	D13/108

6,581,420	B1	*	6/2003	Ling et al.	70/58
D489,323	S	*	5/2004	Yoshida	D13/108
D489,325	S	*	5/2004	Nakamura	D13/110
D520,013	S	*	5/2006	Yang	D14/434
D535,615	S	*	1/2007	Iwai	D13/108
2002/0159231	A1	*	10/2002	Nguyen et al.	361/686

* cited by examiner

Primary Examiner—Freda S Nunn

(74) *Attorney, Agent, or Firm*—Oblon, Spivak, McClelland, Maier & Neustadt, L.L.P.

(57) **CLAIM**

The ornamental design for a docking station, as shown and described.

DESCRIPTION

FIG. 1 is a front, top, and right side perspective view of a docking station;

FIG. 2 is a front elevational view thereof;

FIG. 3 is a rear elevational view thereof;

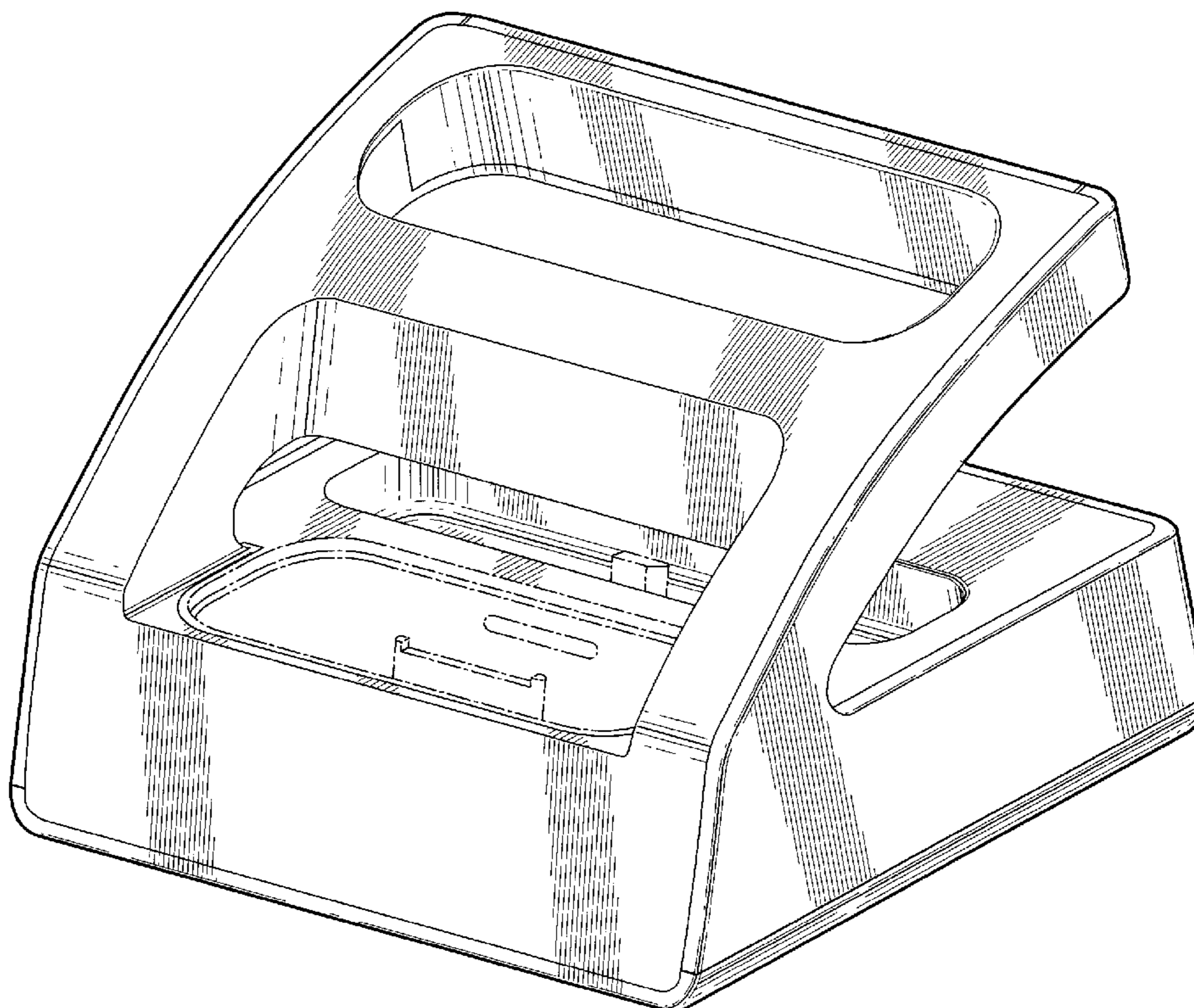
FIG. 4 is a right side elevational view thereof, the left side elevational view being a mirror image of the right side elevational view shown;

FIG. 5 is a top plan view thereof; and,

FIG. 6 is a bottom plan view thereof.

The broken lines in the drawings depict environmental subject matter only and form no part of the claimed design.

1 Claim, 6 Drawing Sheets



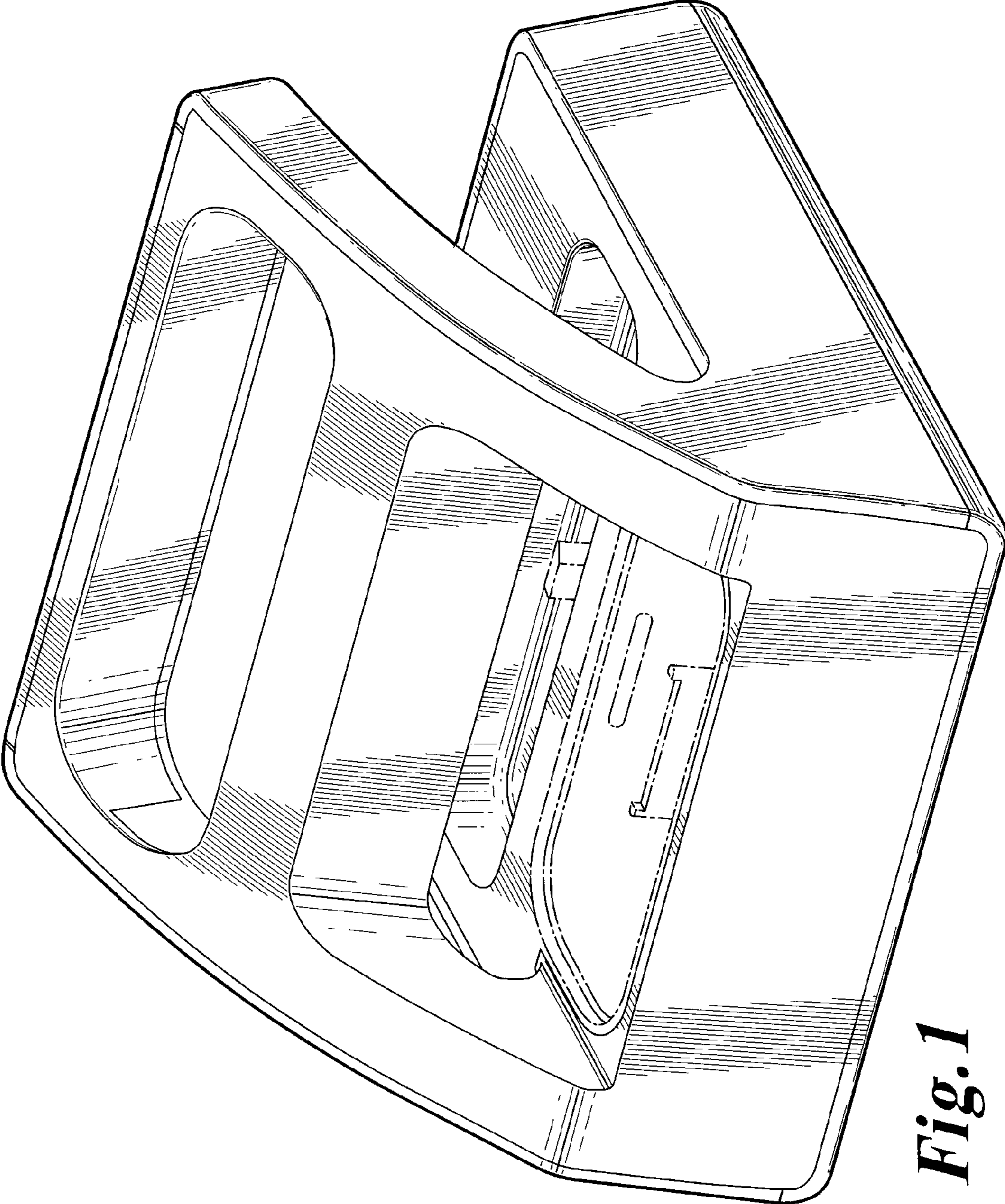


Fig. 1

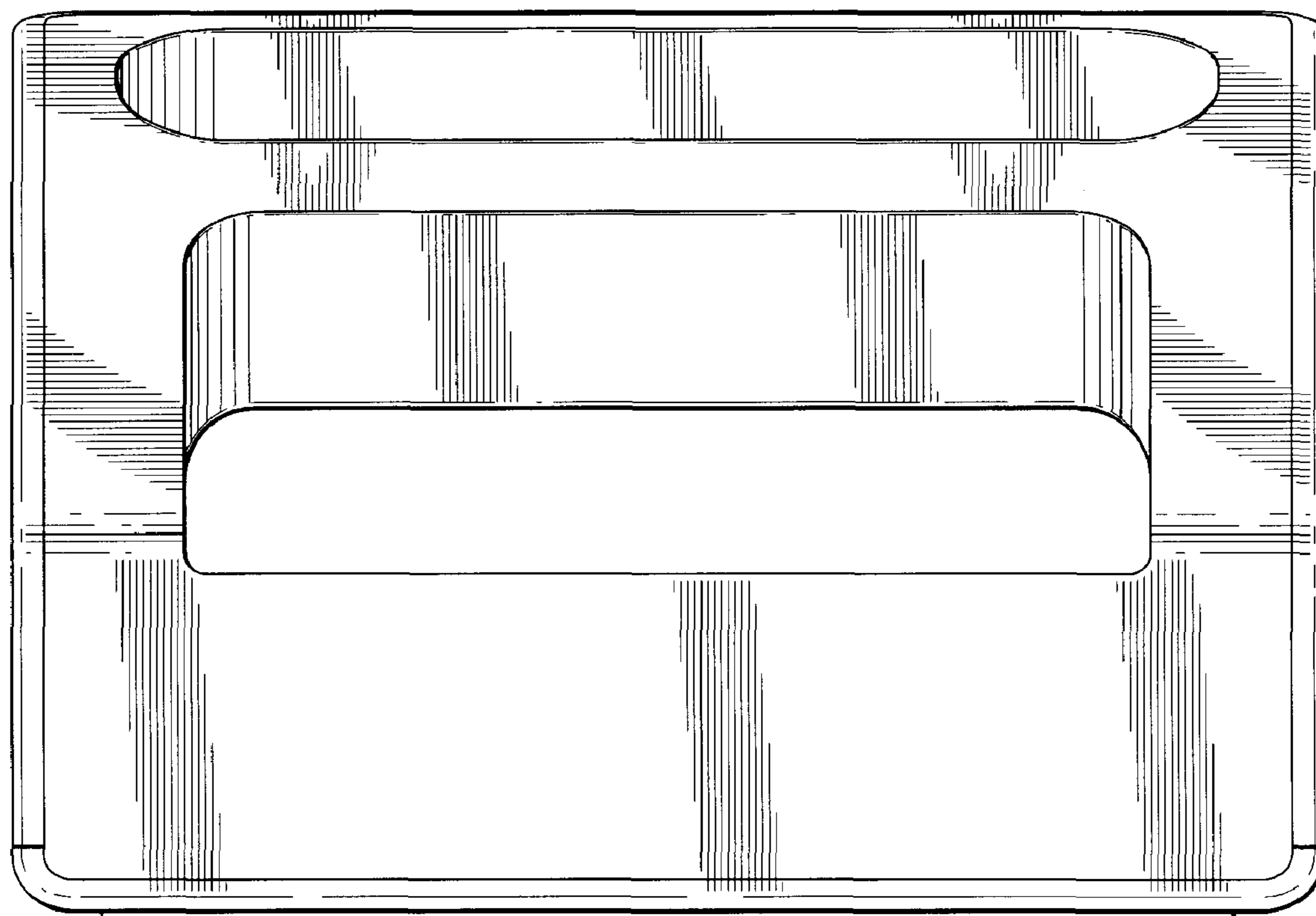


Fig. 2

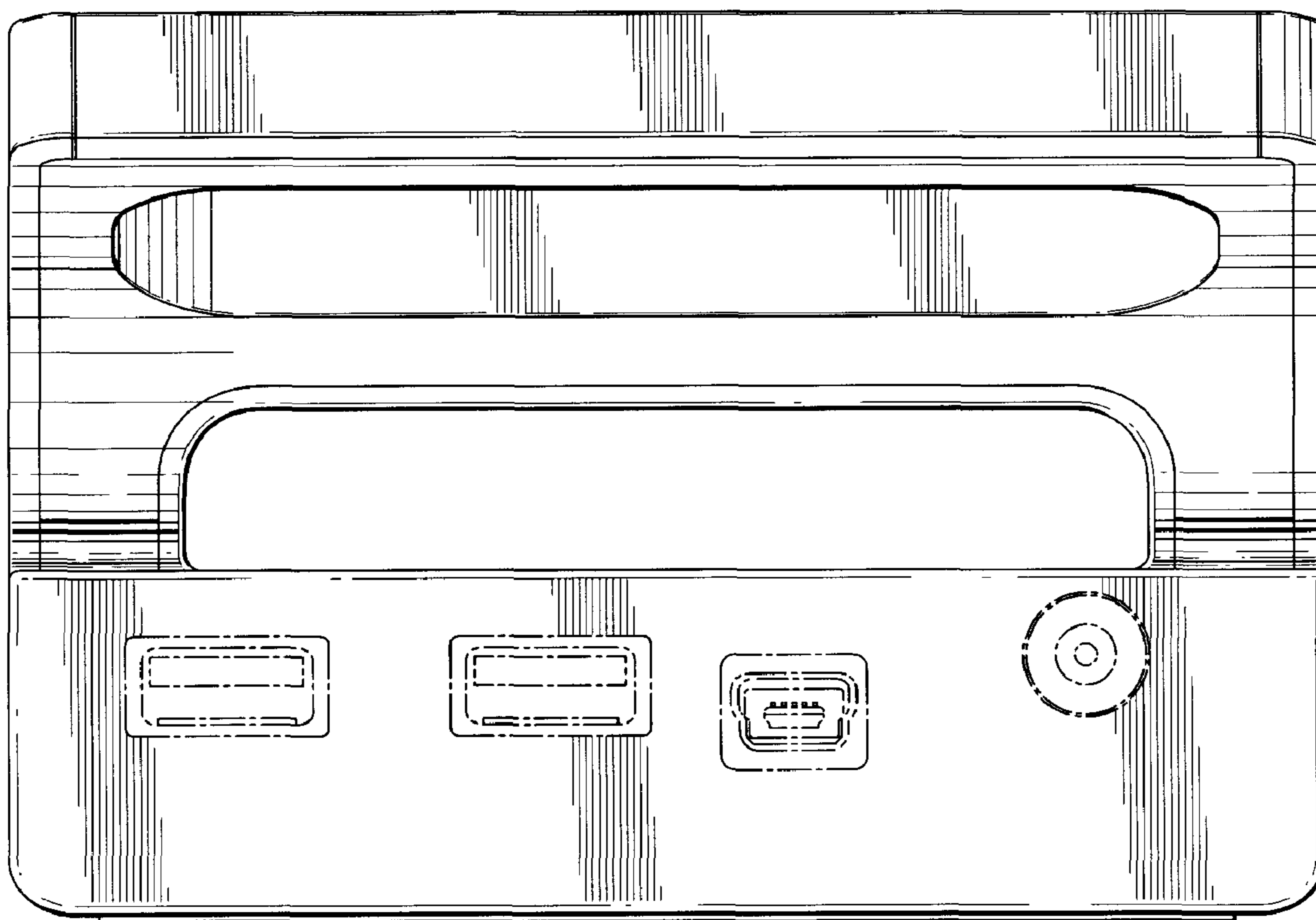


Fig. 3

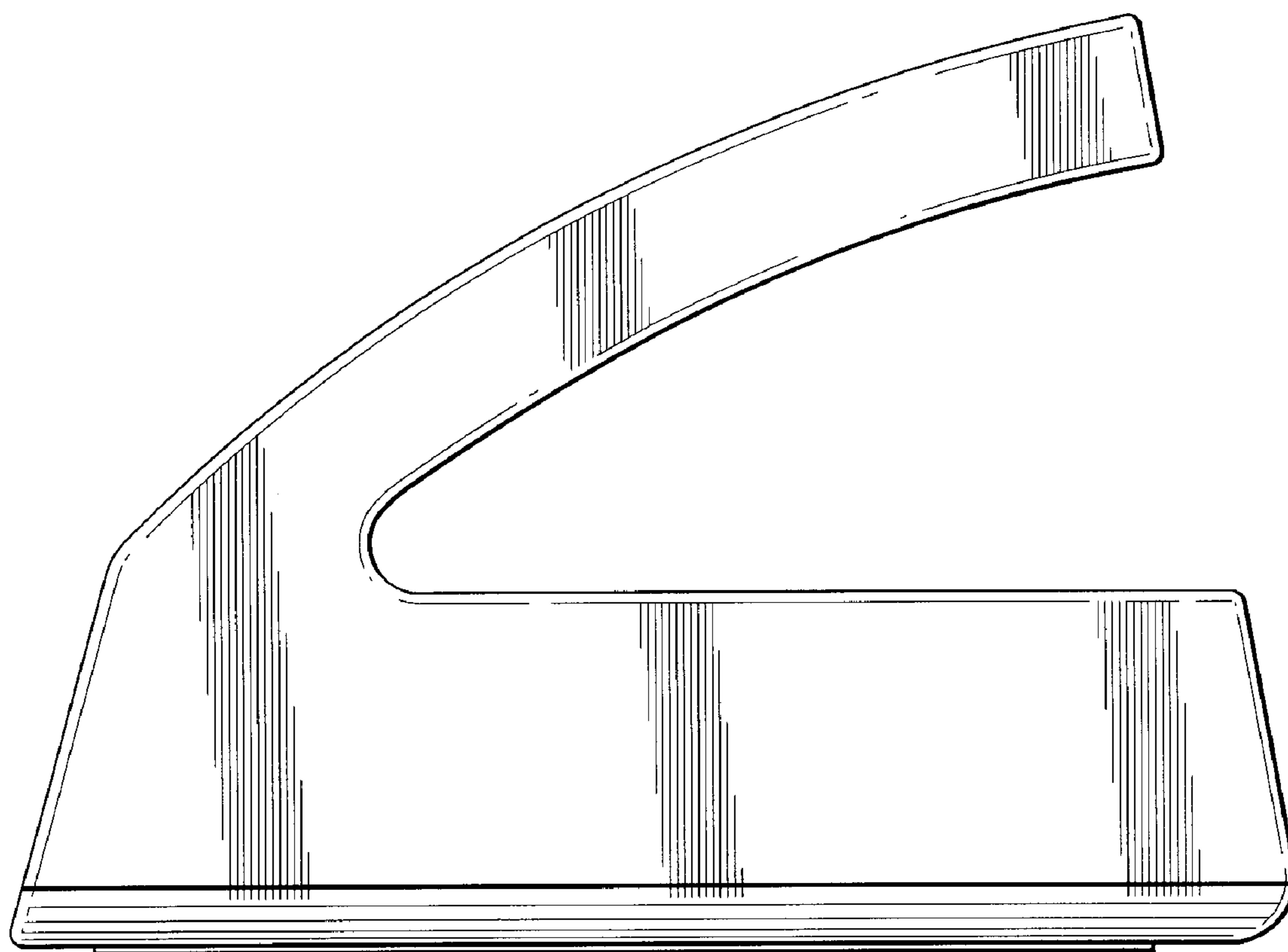


Fig. 4

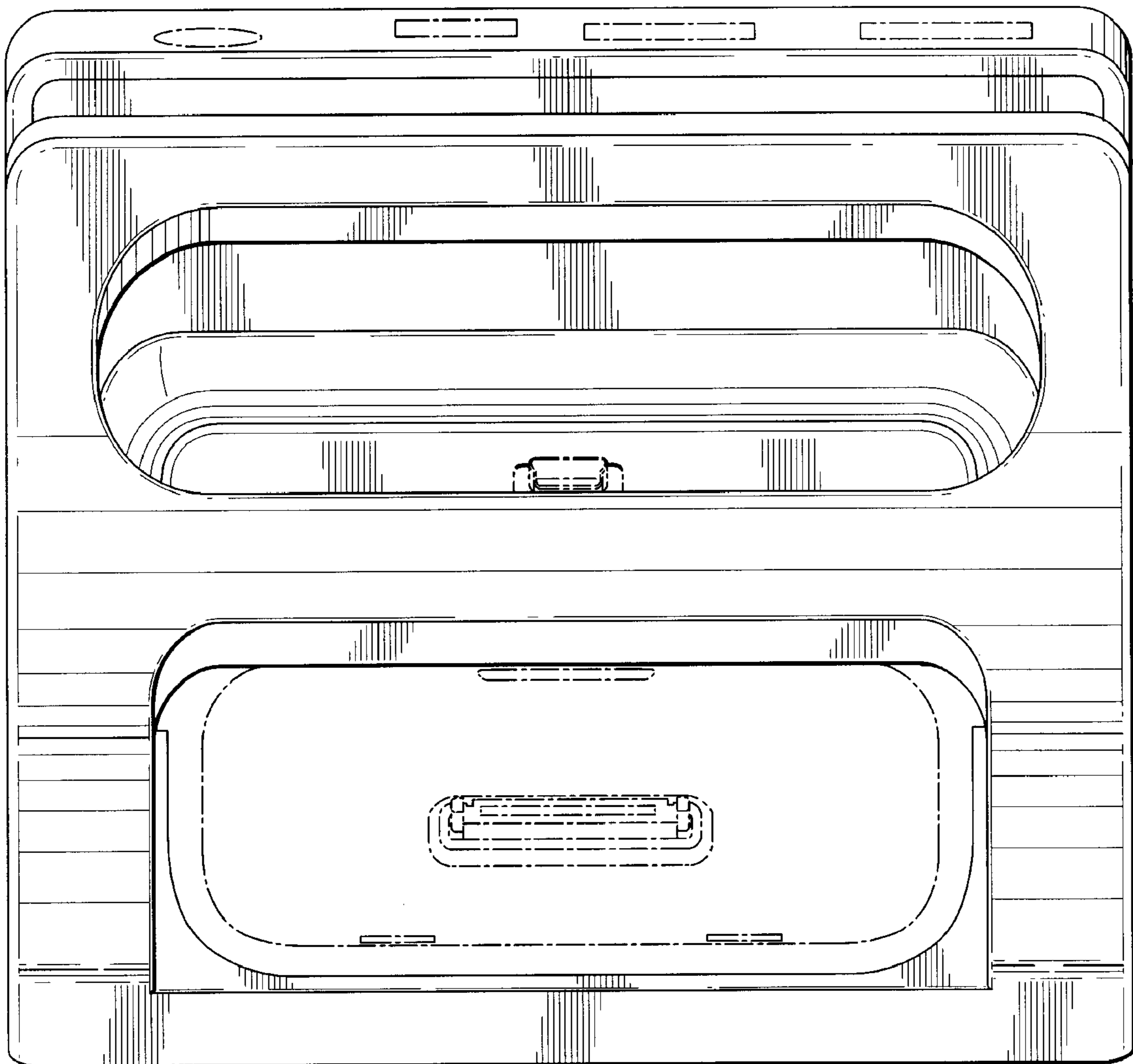


Fig. 5

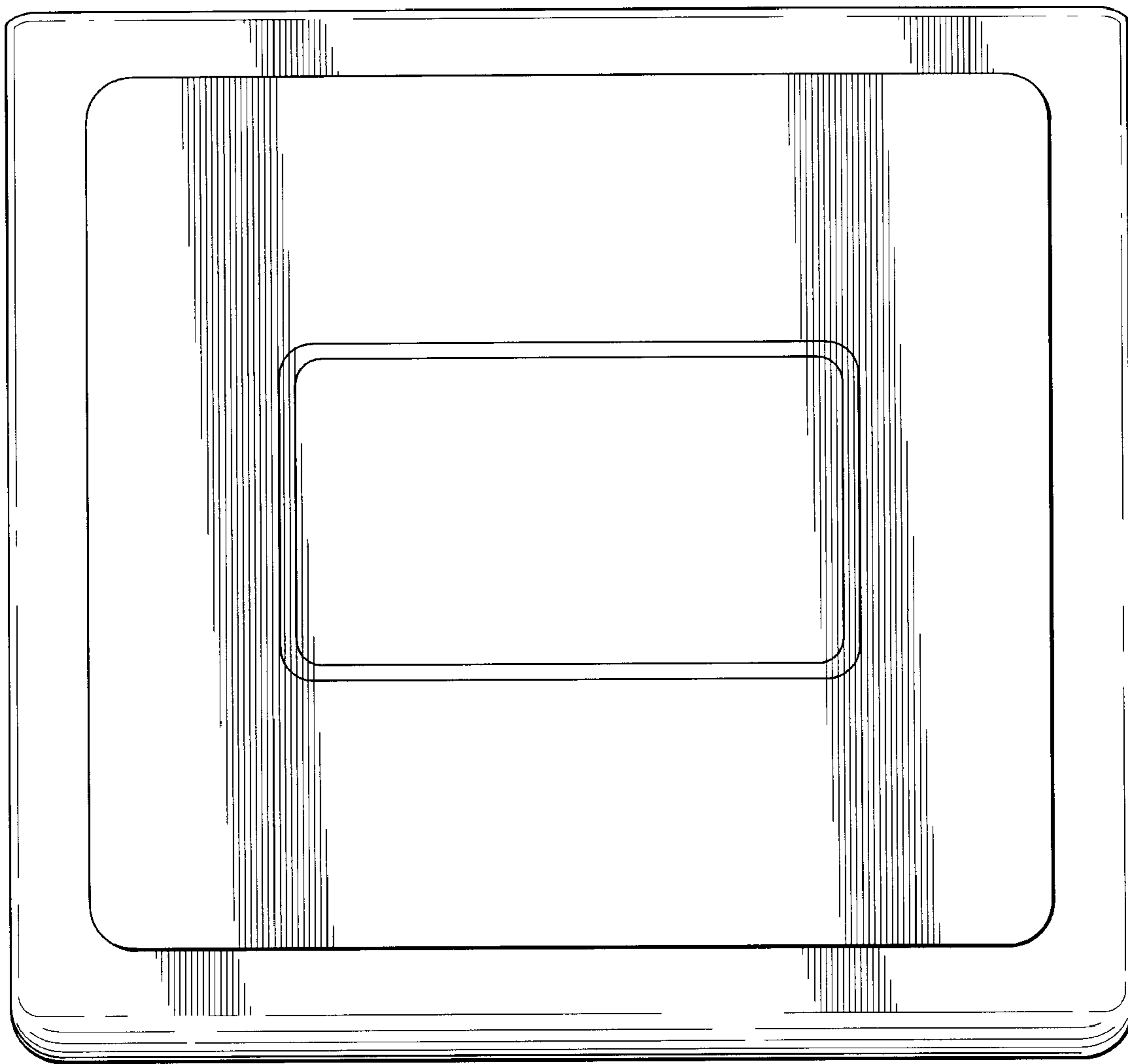


Fig. 6