



US00D624914S

(12) **United States Design Patent**
Wang

(10) **Patent No.:** **US D624,914 S**
(45) **Date of Patent:** **** Oct. 5, 2010**

(54) **TOUCH TYPE INPUT DEVICE**

(75) Inventor: **Po-Ching Wang**, Banqiao (TW)

(73) Assignee: **Argtek Communication Inc.**, Taipei
Hsien (TW)

(**) Term: **14 Years**

(21) Appl. No.: **29/353,101**

(22) Filed: **Dec. 31, 2009**

(51) **LOC (9) Cl.** **14-02**

(52) **U.S. Cl.** **D14/371**

(58) **Field of Classification Search** D14/371-375,
D14/336, 337, 341, 320, 331, 125-129; 341/12,
341/22; 345/104, 156, 168, 173, 901-905;
348/180, 184, 325, 837; 349/1, 2, 11, 62;
361/679.08, 679.21, 679.23, 679.26, 679.27
See application file for complete search history.

(56) **References Cited**

U.S. PATENT DOCUMENTS

D424,538	S	*	5/2000	Hayashi et al.	D14/374
D458,238	S	*	6/2002	Niitsu	D14/126
D469,090	S	*	1/2003	Tsuji	D14/374
D495,706	S	*	9/2004	Lin et al.	D14/374
D496,361	S	*	9/2004	Hotta	D14/374
6,807,051	B2	*	10/2004	Takahashi	361/679.23
6,837,469	B2	*	1/2005	Wu et al.	248/278.1
D519,117	S	*	4/2006	Lewis	D14/374
D543,164	S	*	5/2007	Yang et al.	D14/126

D589,510	S	*	3/2009	Wada	D14/371
D600,695	S	*	9/2009	Niitsu et al.	D14/371
2003/0058372	A1	*	3/2003	Williams et al.	348/836
2004/0113031	A1	*	6/2004	Sung	248/146

* cited by examiner

Primary Examiner—Freda S Nunn

(74) *Attorney, Agent, or Firm*—Muncy, Geissler, Olds & Lowe, PLLC

(57) **CLAIM**

The ornamental design for touch type input device, as shown and described.

DESCRIPTION

FIG. 1 is a perspective view of an touch type input device showing my design;

FIG. 2 is a front elevational view thereof;

FIG. 3 is a rear elevational view thereof;

FIG. 4 is a left side elevational view thereof;

FIG. 5 is a right side elevational view thereof;

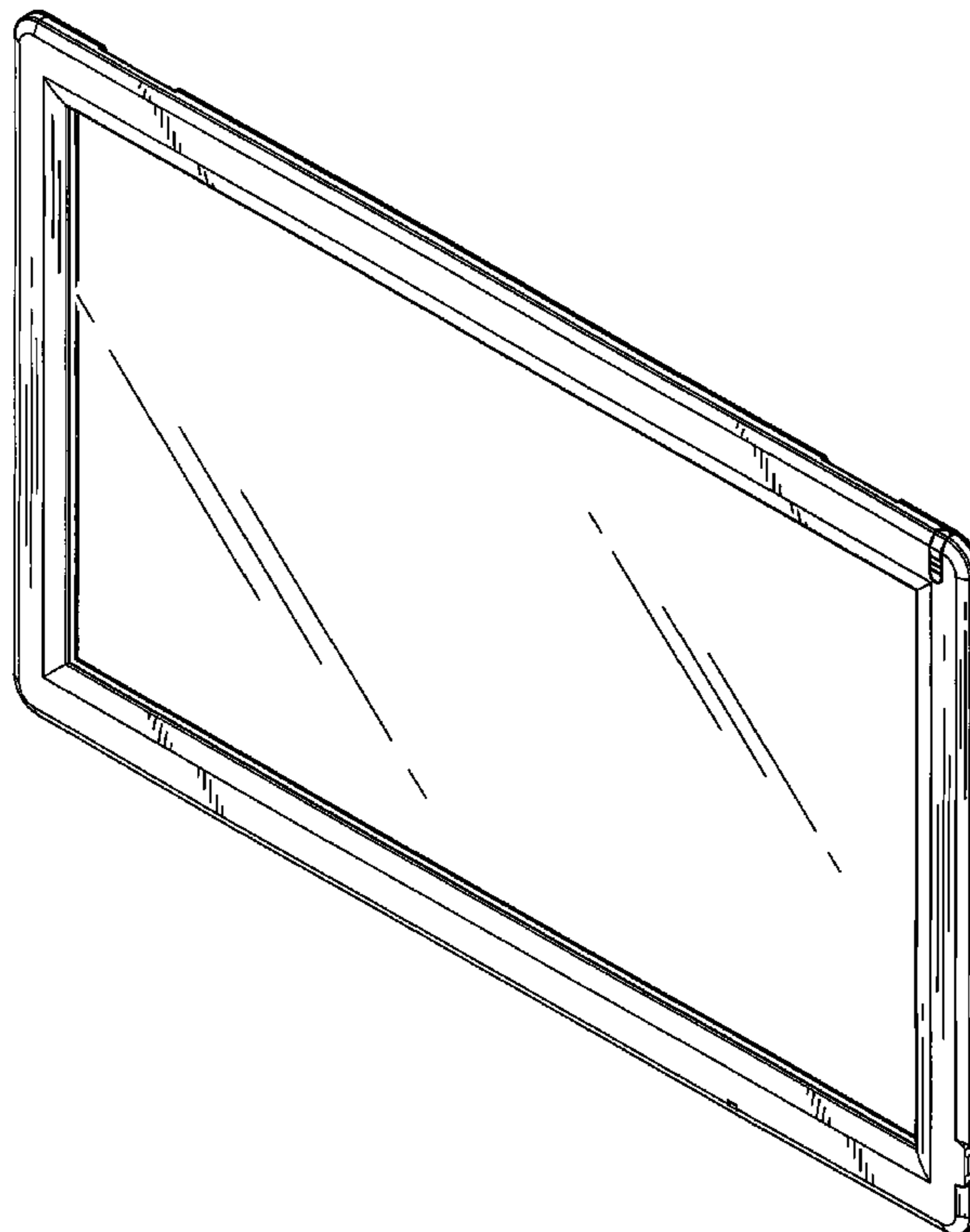
FIG. 6 is a top plan view thereof;

FIG. 7 is a bottom plan view thereof; and,

FIG. 8 is a perspective view thereof shown combined with a computer.

The dashed lines in the drawings are shown for environmental purposes only and form no part of the claimed design.

1 Claim, 6 Drawing Sheets



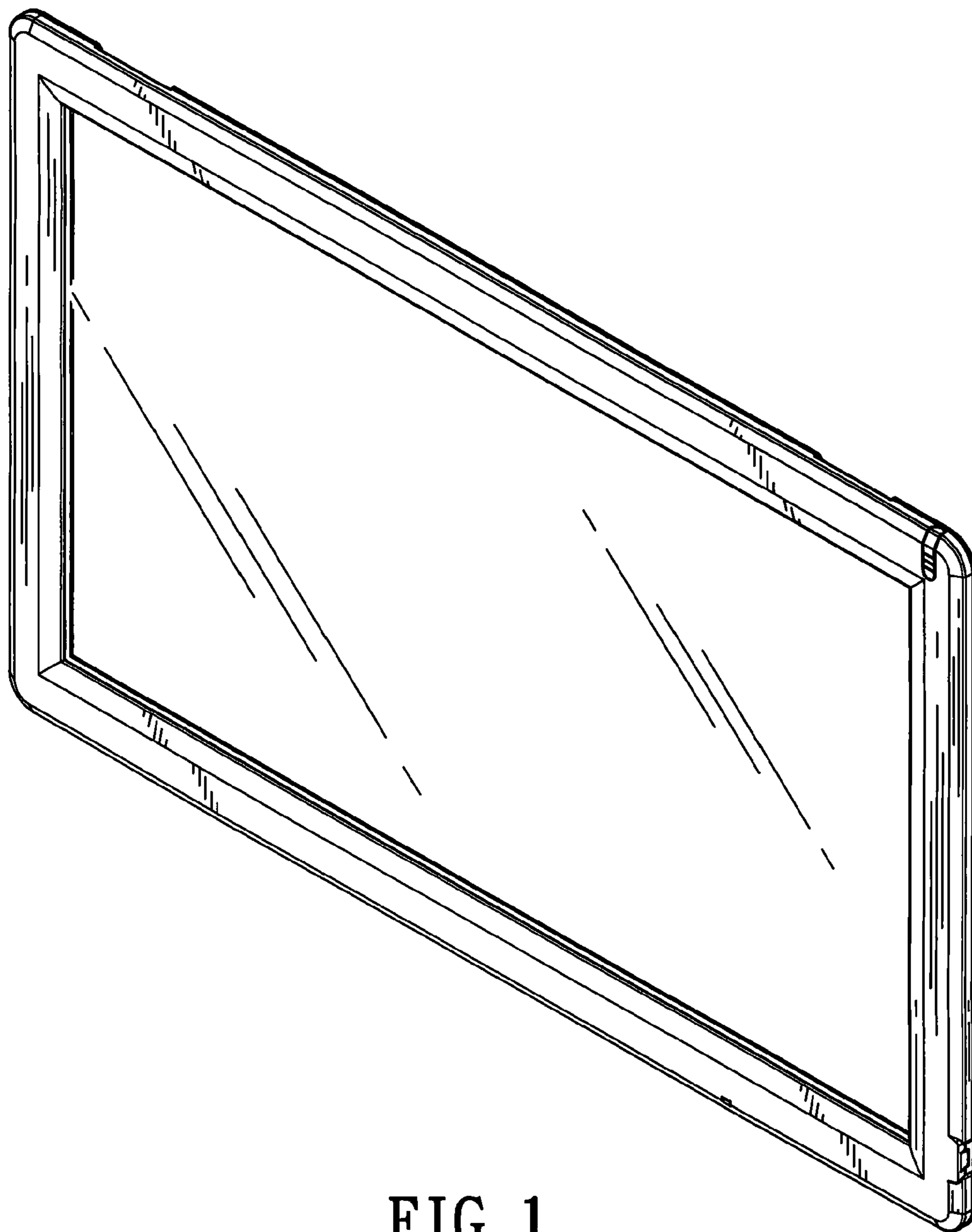


FIG. 1

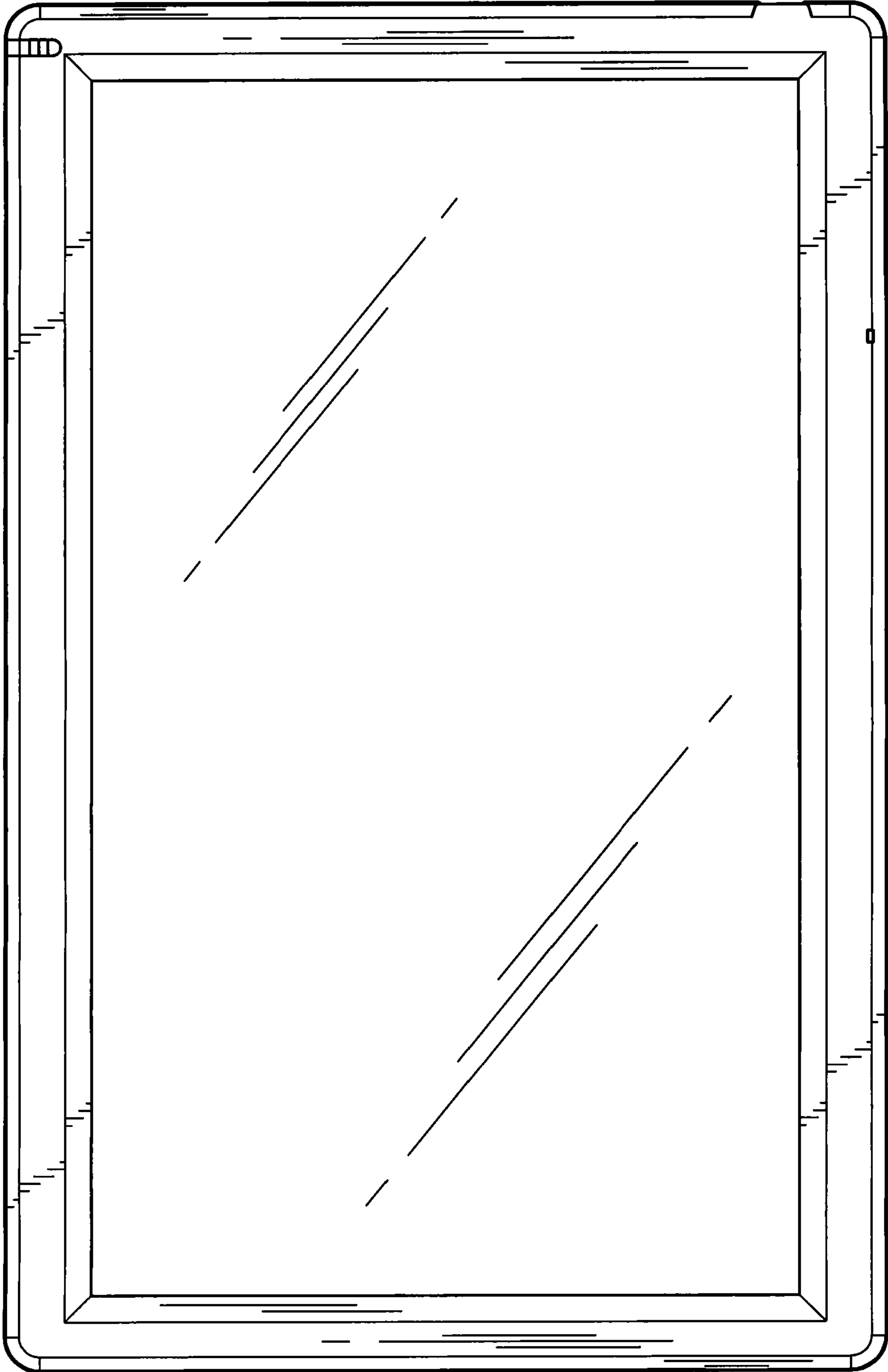


FIG. 2

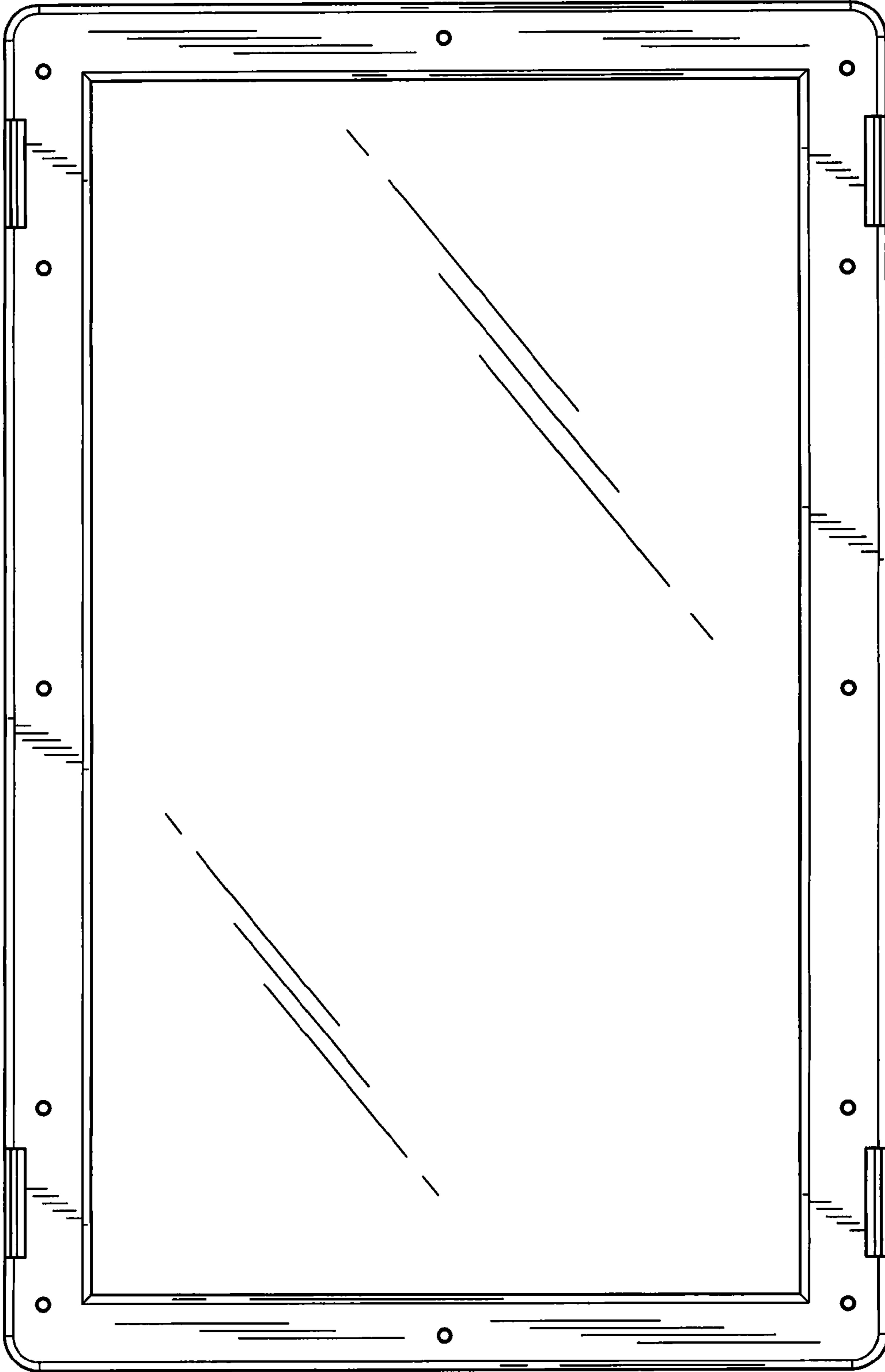


FIG. 3

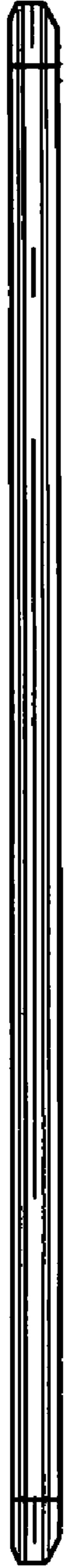


FIG. 4



FIG. 5



FIG. 6



FIG. 7

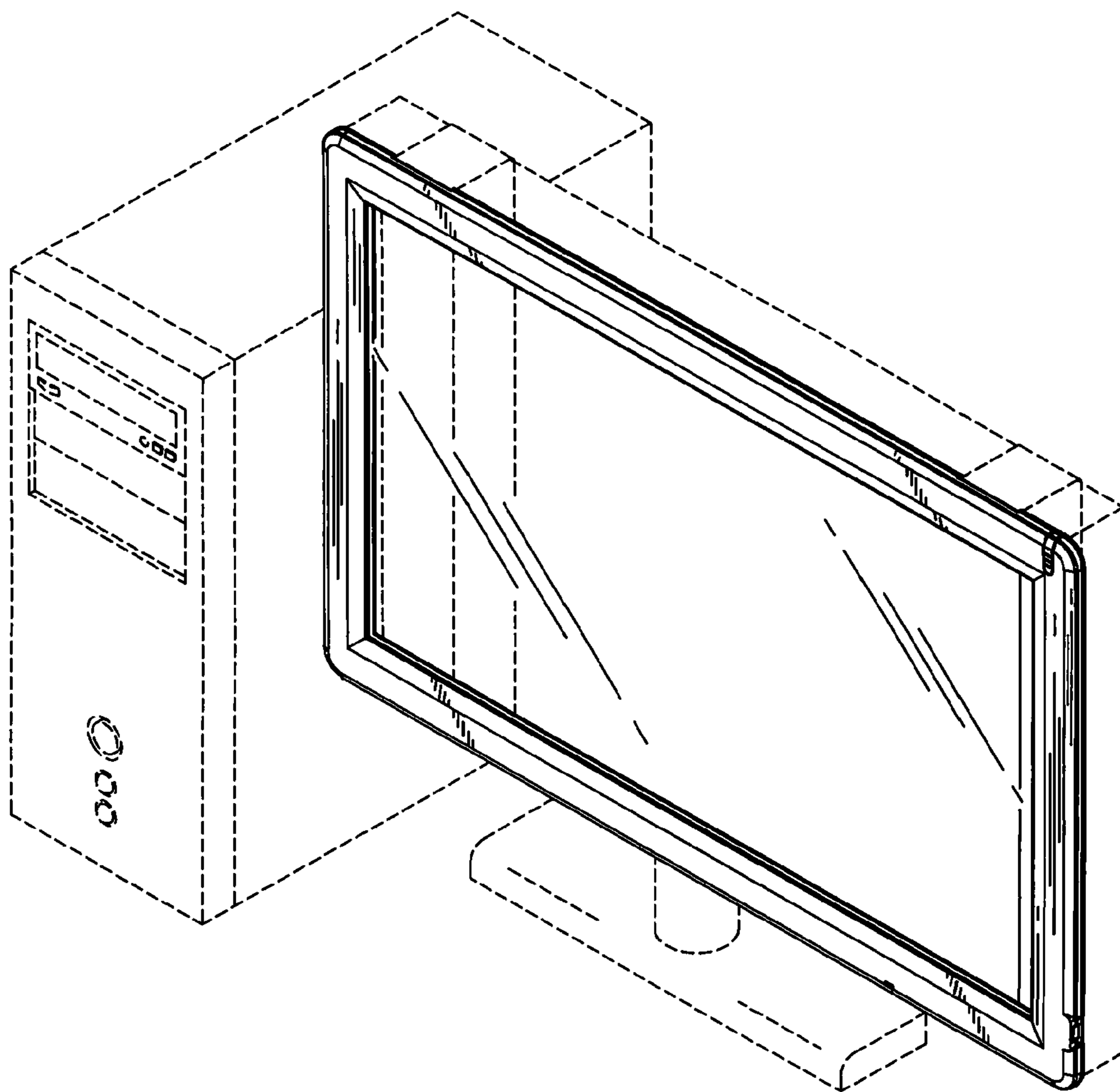


FIG. 8