



US00D624909S

(12) **United States Design Patent**  
**Huskinson**

(10) **Patent No.:** **US D624,909 S**

(45) **Date of Patent:** **\*\* \*Oct. 5, 2010**

(54) **CASE**

(75) Inventor: **Scott Huskinson**, Hyde Park, UT (US)

(73) Assignee: **Reminderband, Inc.**, Logan, UT (US)

(\*) Notice: This patent is subject to a terminal disclaimer.

(\*\*) Term: **14 Years**

(21) Appl. No.: **29/346,782**

(22) Filed: **Nov. 5, 2009**

(51) **LOC (9) Cl.** ..... **14-03**

(52) **U.S. Cl.** ..... **D14/250**

(58) **Field of Classification Search** ..... D14/140,  
D14/142, 167, 217, 218, 240, 242, 248, 250–253,  
D14/299, 341–347, 440; D3/200–201, 215,  
D3/218–219, 226, 228, 269, 301, 272–273,  
D3/276, 294; D13/103, 107–108, 119; 220/4.02;  
224/191, 240, 241, 245, 682–683; 248/206.2,  
248/206.4, 220.21, 279.1, 309.1; 361/679.3,  
361/679.56; 379/420.04, 433.11, 446–447,  
379/454, 455; 455/575.1, 575.6, 575.7, 575.8,  
455/575.9; 190/100; 206/305, 320

See application file for complete search history.

(56) **References Cited**

**U.S. PATENT DOCUMENTS**

D366,957 S \* 2/1996 Scheid et al. .... D3/218

(Continued)

**OTHER PUBLICATIONS**

TwoPieces for iPhone 3G / 3GS, <URL:http://www.ultra-case.com/product.php?PID=32>, retrieved from internet May 20, 2010.\*  
Whisper for iPhone 3G/3GS, <URL:http://www.ultra-case.com/product.php?PID=249>, retrieved from internet May 20, 2010.\*

(Continued)

*Primary Examiner*—Robert M Spear  
*Assistant Examiner*—Carla Jobe Wright

(74) *Attorney, Agent, or Firm*—Pate Pierce & Baird

(57) **CLAIM**

The ornamental design for a case, as shown and described.

**DESCRIPTION**

FIG. 1 is a front perspective view of a case in accordance with the invention, showing the case in an assembled state;

FIG. 2 is a rear perspective view of the case of FIG. 1; showing the case in an assembled state;

FIG. 3 is a front perspective view of the case of FIG. 1, showing the two mating portions of the case separated for ease of illustration;

FIG. 4 is a rear perspective view of the case of FIG. 1, showing the two mating portions of the case separated for ease of illustration;

FIG. 5 is a front elevation view of the case of FIG. 1, showing the case in an assembled state;

FIG. 6 is a front elevation view of the case of FIG. 1, showing the two mating portions of the case separated for ease of illustration;

FIG. 7 is a rear elevation view of the case of FIG. 1, showing the case in an assembled state;

FIG. 8 is a rear elevation view of the case of FIG. 1, showing the two mating portions of the case separated for ease of illustration;

FIG. 9 is a left side elevation view of the case of FIG. 1;

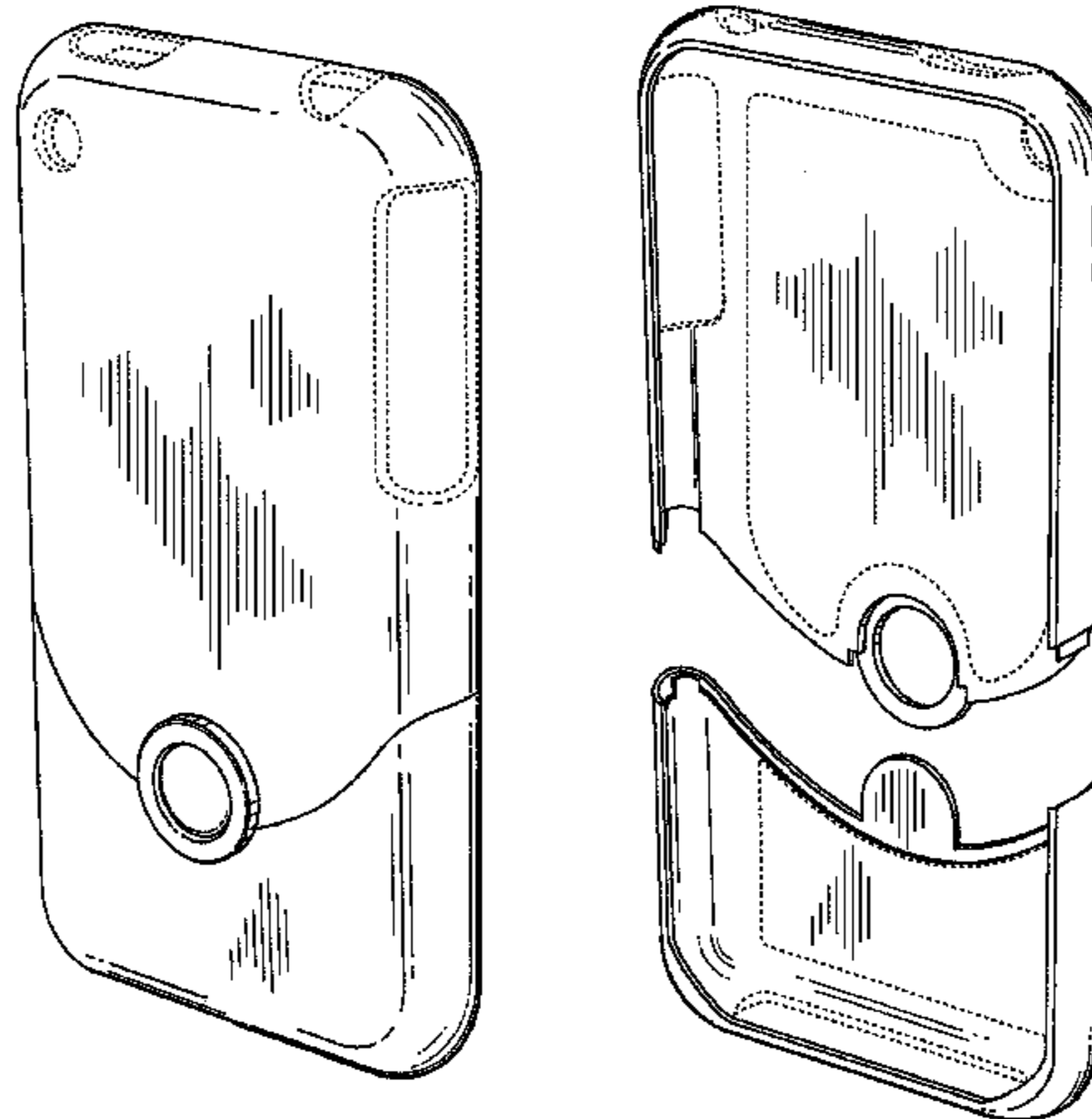
FIG. 10 is a right side elevation view of the case of FIG. 1;

FIG. 11 is a bottom plan view of the case of FIG. 1; and,

FIG. 12 is a top plan view of the case of FIG. 1.

The broken lines immediately adjacent the shaded surfaces represent the bounds of the claimed design. All other broken lines are directed to environment. The broken lines and unshaded regions within the broken lines form no part of the claimed design.

**1 Claim, 8 Drawing Sheets**



U.S. PATENT DOCUMENTS

6,471,056 B1 \* 10/2002 Tzeng ..... 206/320  
 D484,874 S \* 1/2004 Chang et al. .... D14/250  
 D543,541 S \* 5/2007 Chung et al. .... D14/250  
 D551,847 S \* 10/2007 Yeap et al. .... D3/201  
 D556,681 S \* 12/2007 Kim ..... D13/103  
 D563,093 S \* 3/2008 Nussberger ..... D3/201  
 D565,290 S \* 4/2008 Brandenburg et al. .... D3/218  
 D565,291 S \* 4/2008 Brandenburg et al. .... D3/218  
 D570,593 S \* 6/2008 Justiss ..... D3/201  
 D574,819 S \* 8/2008 Andre et al. .... D14/250  
 D575,056 S \* 8/2008 Tan ..... D3/218  
 D587,896 S \* 3/2009 Aipa ..... D3/201  
 D593,746 S \* 6/2009 Richardson et al. .... D3/201  
 D593,750 S \* 6/2009 Song ..... D3/269  
 D597,089 S \* 7/2009 Khan et al. .... D14/250  
 D597,301 S \* 8/2009 Richardson et al. .... D3/218  
 D600,908 S \* 9/2009 Richardson et al. .... D3/218  
 D603,389 S \* 11/2009 Khan et al. .... D14/250  
 D603,603 S \* 11/2009 Laine et al. .... D3/218  
 7,612,997 B1 \* 11/2009 Diebel et al. .... 361/679.56  
 D605,850 S \* 12/2009 Richardson et al. .... D3/218  
 D606,305 S \* 12/2009 Lee et al. .... D3/269  
 D606,528 S \* 12/2009 Khan et al. .... D14/250  
 D606,529 S \* 12/2009 Ferrari et al. .... D14/250  
 D609,228 S \* 2/2010 Ferrari et al. .... D14/250  
 D609,463 S \* 2/2010 Bullen ..... D3/218  
 D609,464 S \* 2/2010 Bullen ..... D3/218  
 D610,807 S \* 3/2010 Bau ..... D3/269  
 D613,282 S \* 4/2010 Richardson et al. .... D14/250  
 D615,077 S \* 5/2010 Richardson et al. .... D14/250

D615,078 S \* 5/2010 Bradley ..... D14/250  
 D615,535 S \* 5/2010 Richardson et al. .... D14/250  
 D615,536 S \* 5/2010 Richardson et al. .... D14/250  
 D615,967 S \* 5/2010 Richardson et al. .... D14/250  
 2009/0111543 A1 \* 4/2009 Tai et al. .... 455/575.8

OTHER PUBLICATIONS

Droid Eris by HTC Commuter Series Case, <URL:http://www.otterbox.com/htc-cases/droid-eris-by-htc-cases/droid-eris-by-htc-commuter-series-case/>, retrieved from internet May 20, 2010.\*  
 Google Nexus One Commuter Series Case, <URL:http://www.otterbox.com/google-cases/nexus-one-cases/google-nexus-one-commuter-series-case/>, retrieved from internet May 20, 2010.\*  
 BlackBerry Pearl 9100 Commuter Series Case, <URL:http://www.ottterbox.com/blackberry-cases/blackberry-pearl/blackberry-pearl-9100-cases/blackberry-pearl-9100-commuter-series-case/>, retrieved from internet May 20, 2010.\*  
 Edge Hard Shell Polycarbonate Slider Case for BlackBerry Storm 9550—Pearl, <URL:http://www.myincipio.com/product/BLACKBERRY\_BB-835/EDGE-Hard-Shell-Polycarbonate-Slider-Case-for-BlackBerry-Storm-9550---Pearl-White.html>, retrieved from internet May 20, 2010.\*  
 Dark Purple dermaSHOT Silicone Case for Google Nexus One, <URL:http://www.myincipio.com/product/GGL\_NEXUS\_ONE\_HT-137/Dark-Purple-dermaSHOT-Silicone-Case-for-Google-Nexus-One.html>, retrieved from internet May 20, 2010.\*  
 HTC Droid Eris S6200 Silicone Case, Rubber Skin—Light Blue, <URL:http://www.accessorygeeks.com/htc-droid-eris-s6200-silicone-case-light-blue.html>, retrieved from internet May 20, 2010.\*

\* cited by examiner

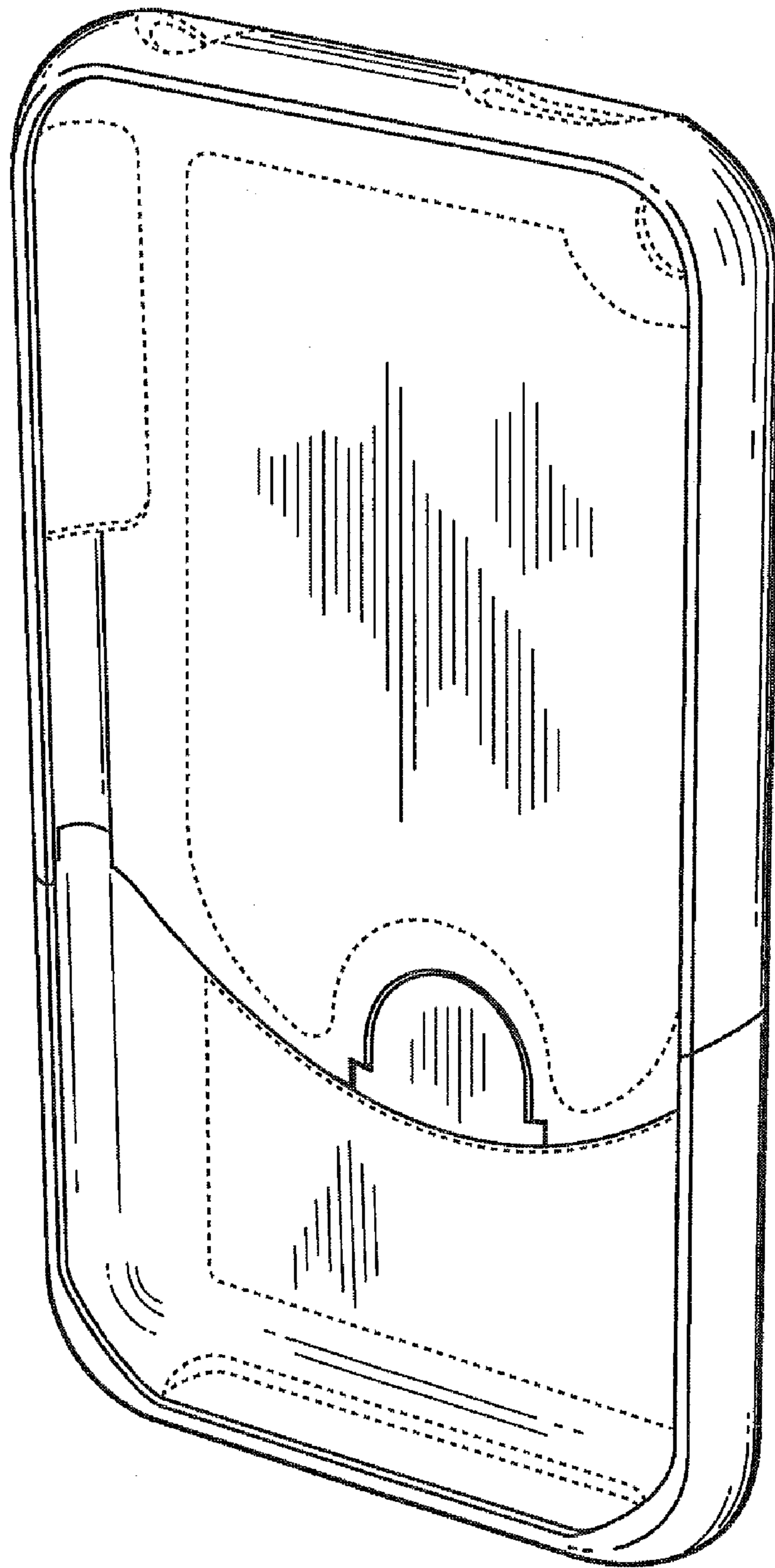


FIG. 1

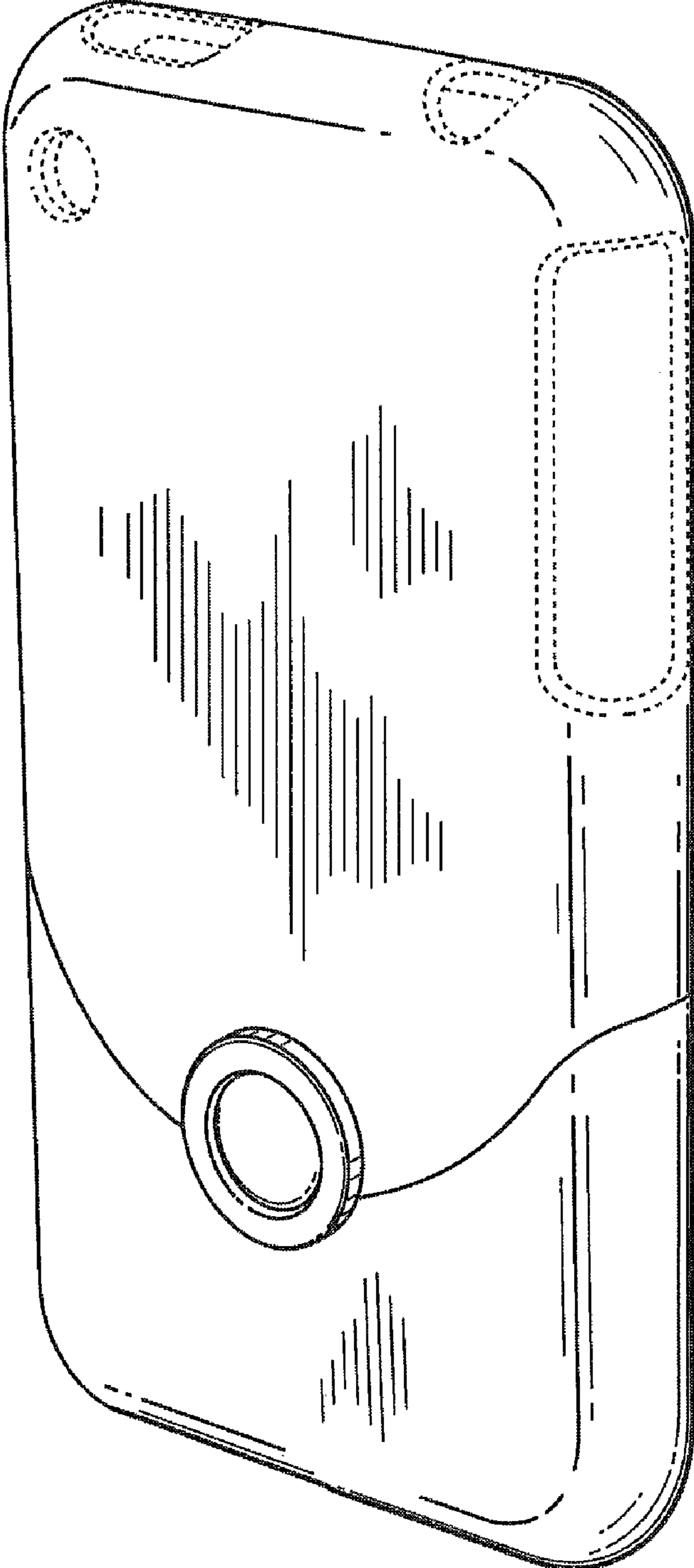


FIG. 2

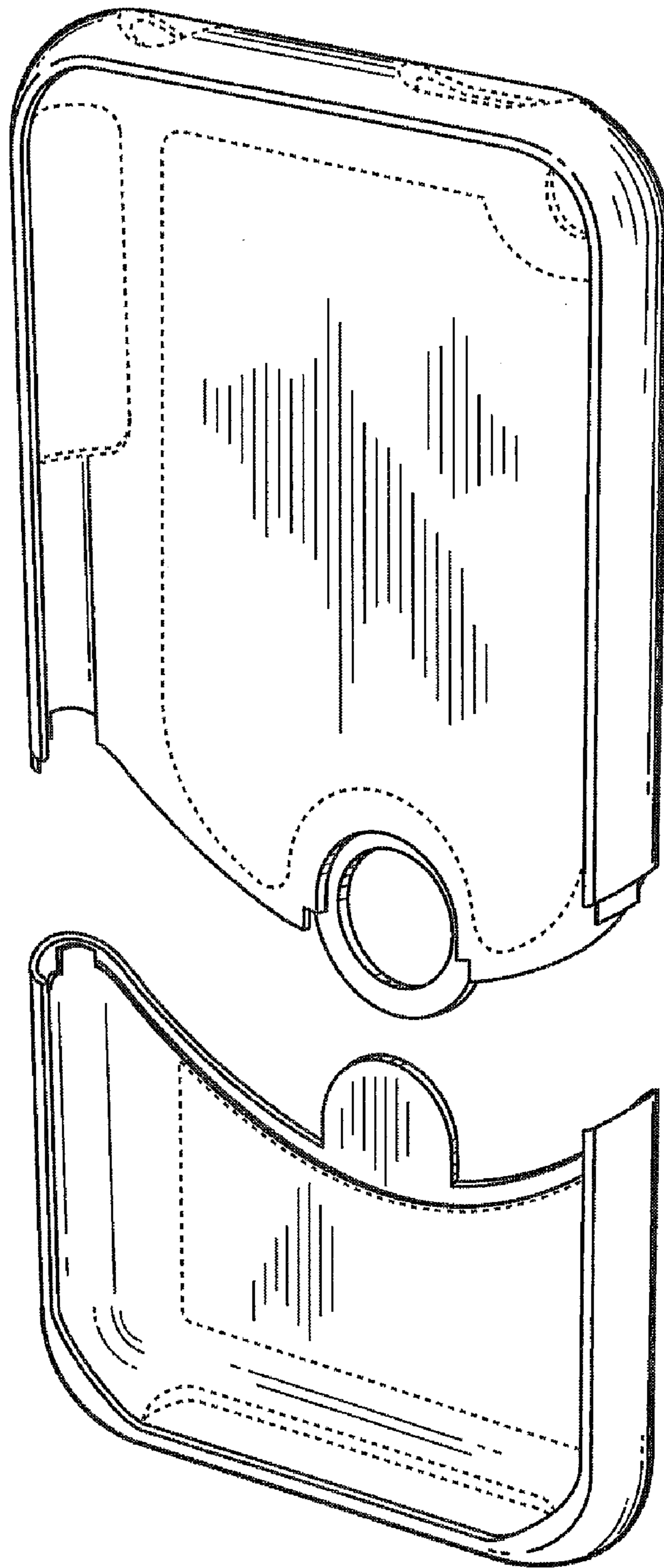


FIG. 3

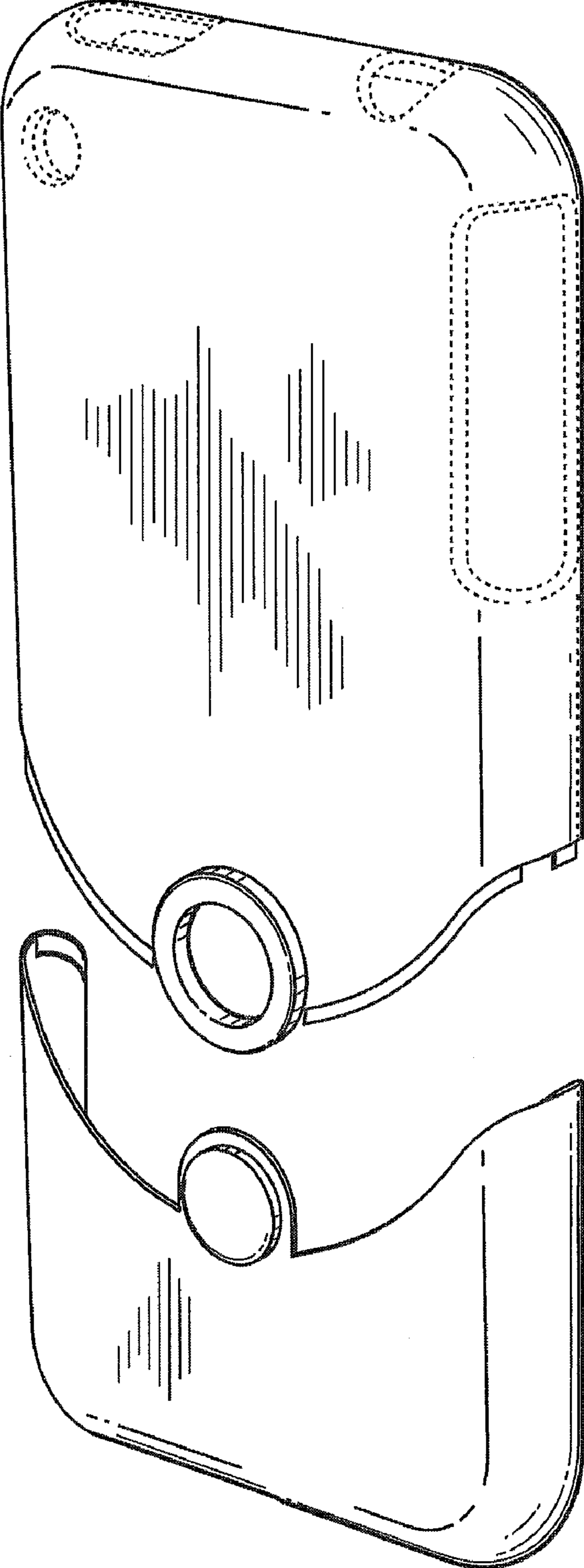


FIG. 4

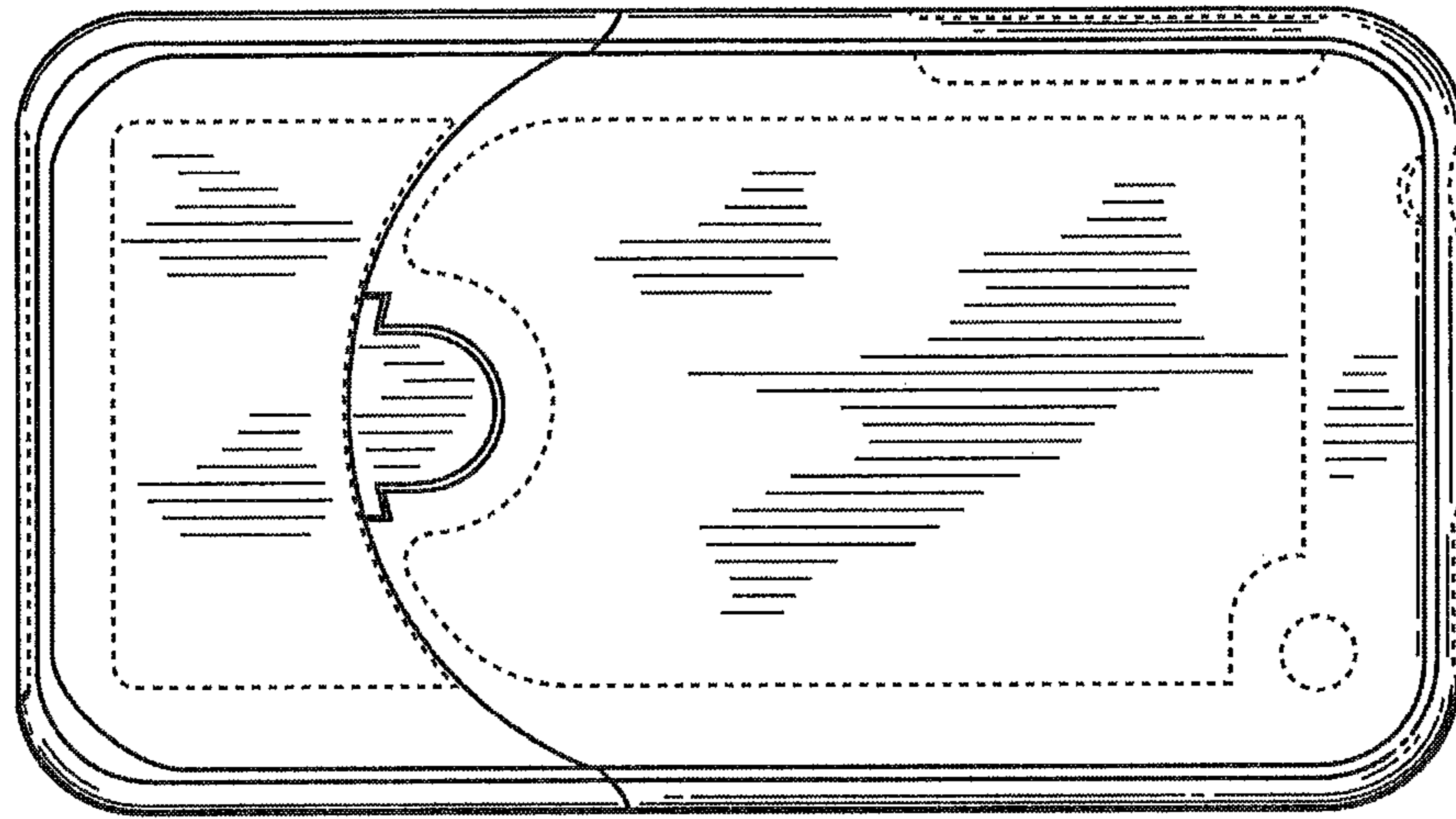


FIG. 5

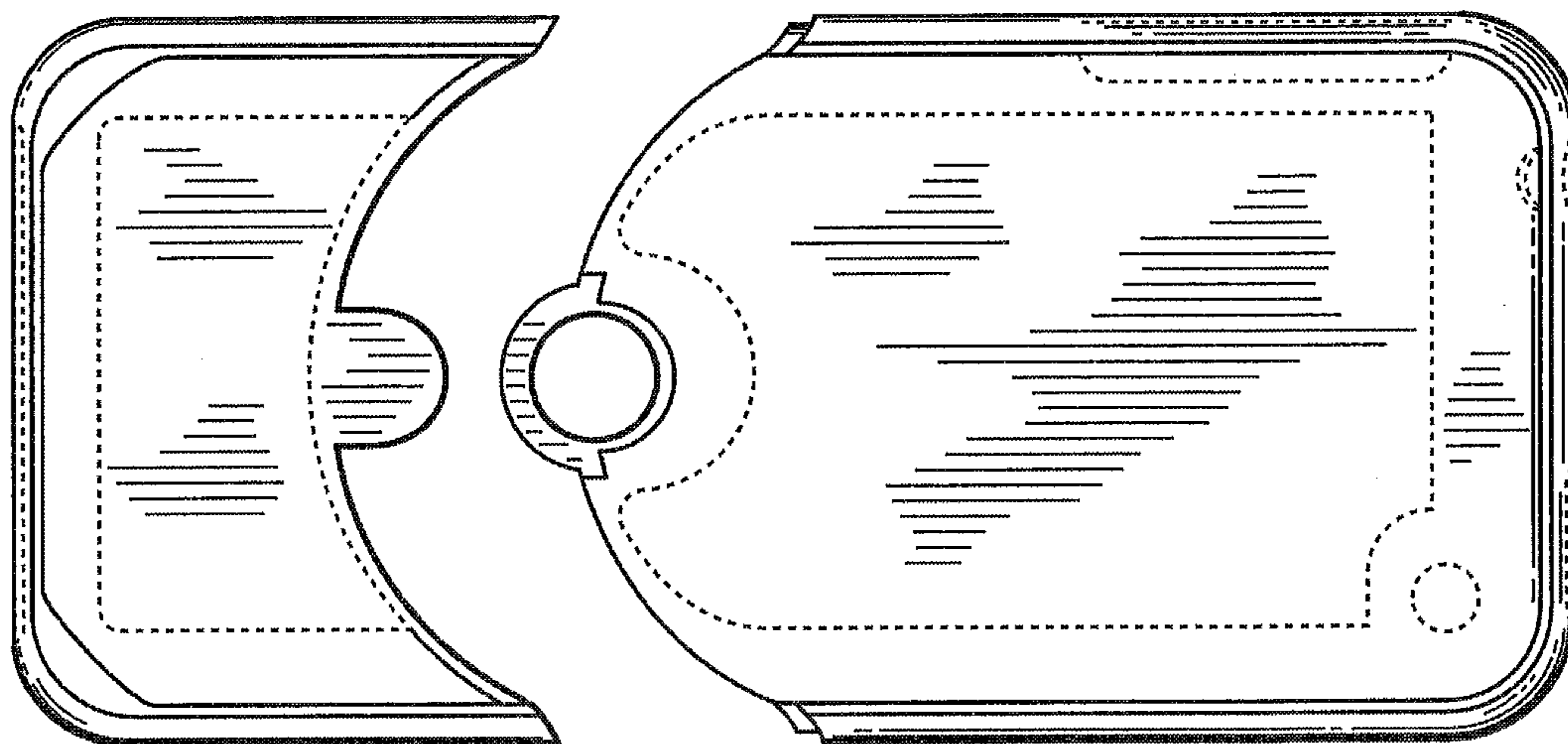


FIG. 6

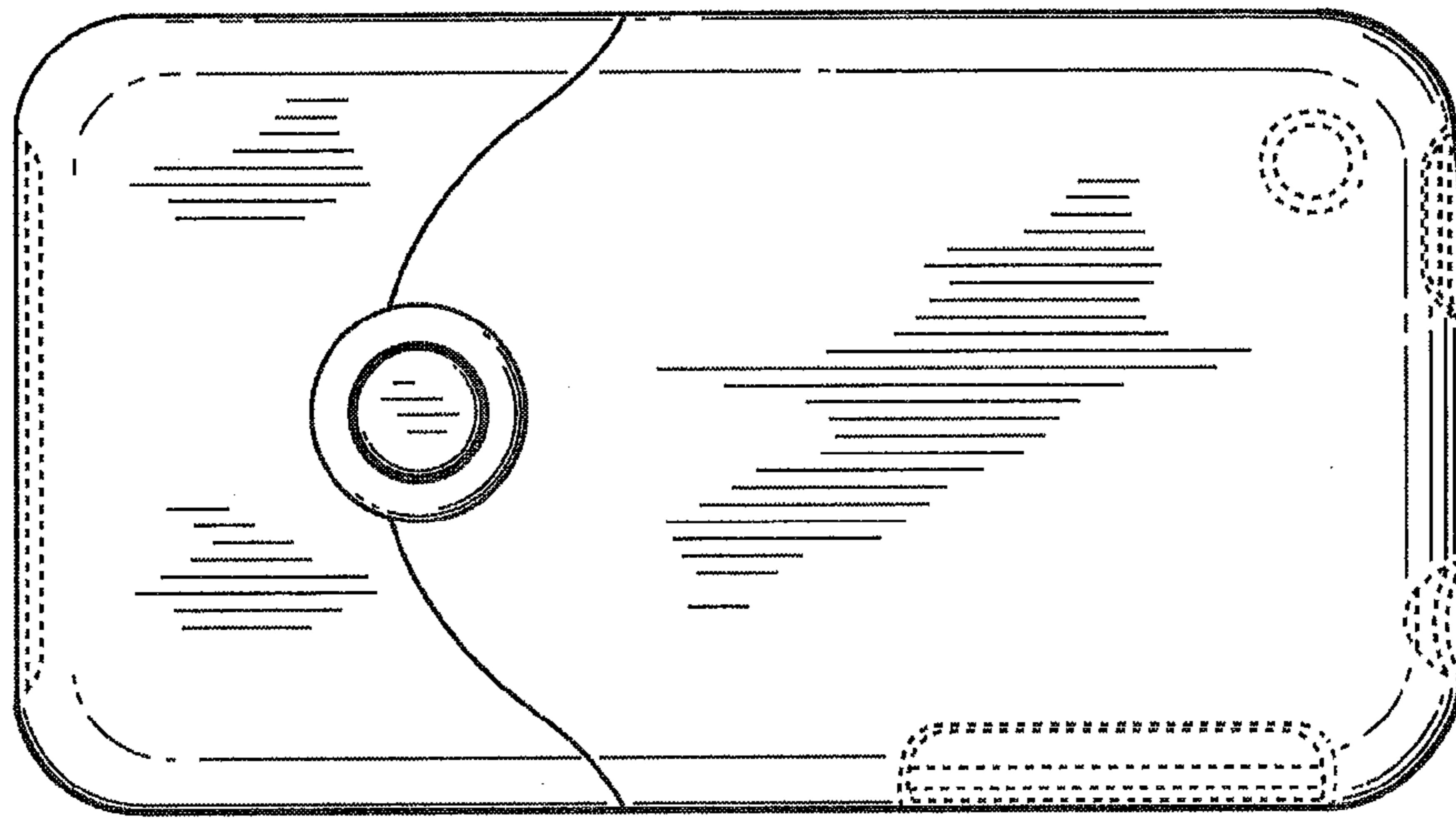


FIG. 7

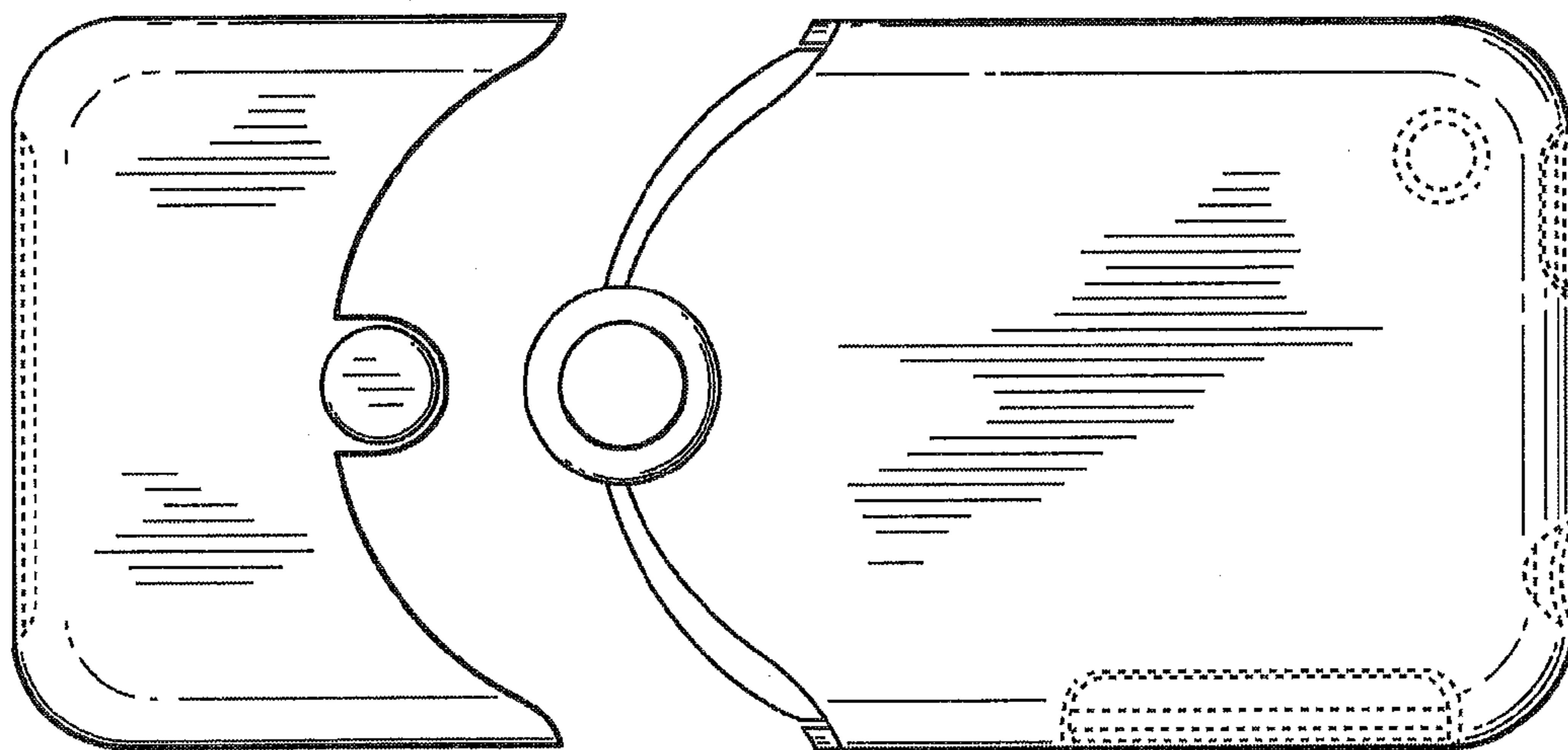


FIG. 8



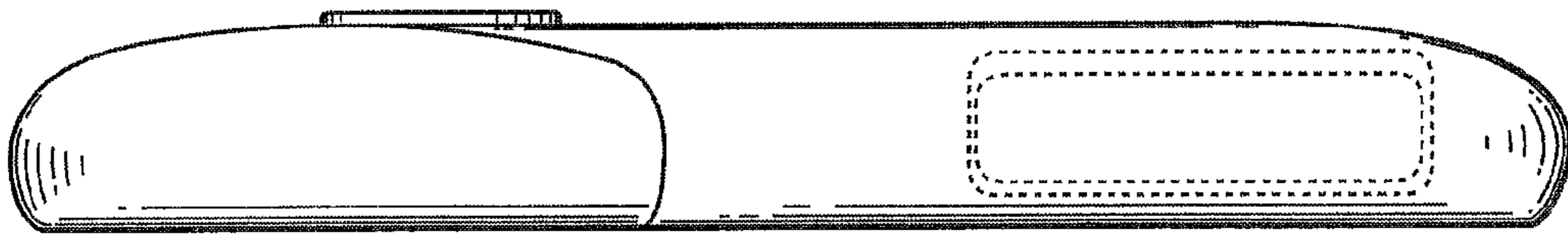


FIG. 9

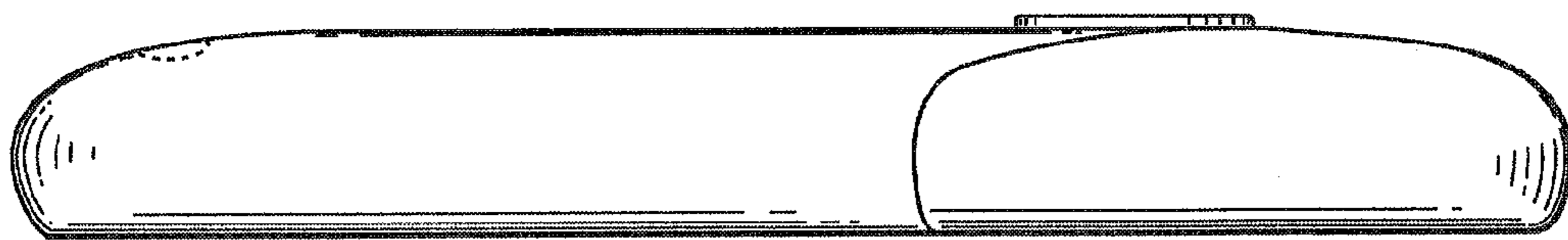


FIG. 10

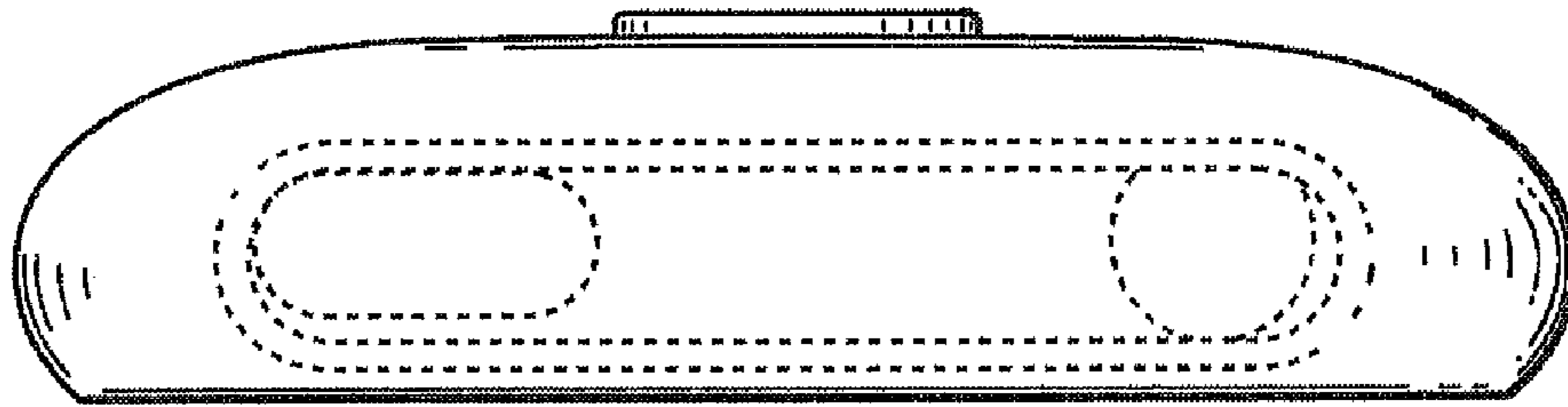


FIG. 11

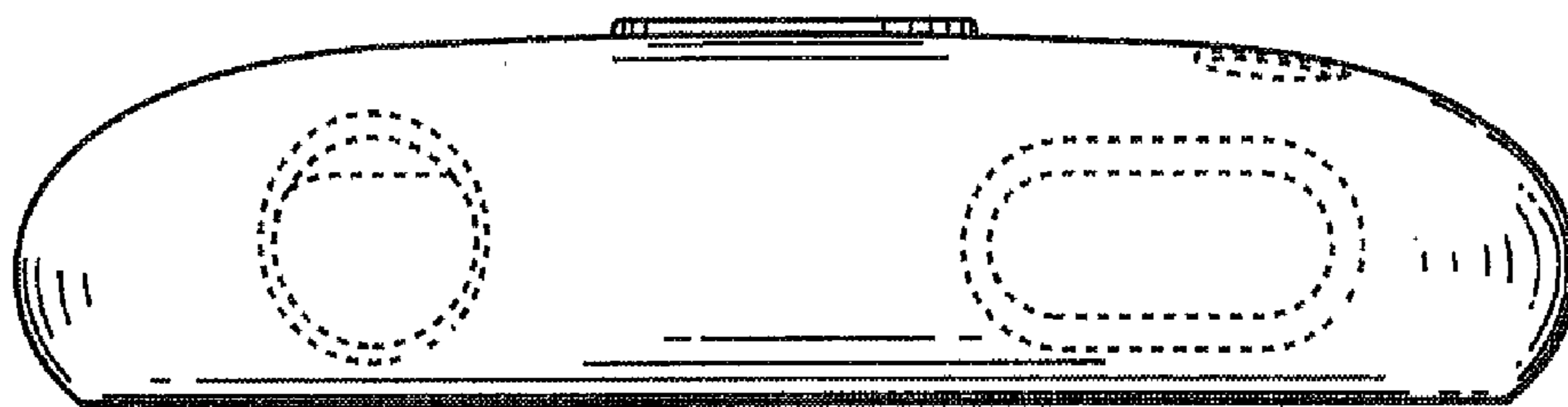


FIG. 12