



US00D624908S

(12) **United States Design Patent**
Huskinson

(10) **Patent No.:** **US D624,908 S**
(45) **Date of Patent:** **** *Oct. 5, 2010**

(54) **CASE**

(75) Inventor: **Scott Huskinson**, Hyde Park, UT (US)

(73) Assignee: **Reminderband, Inc.**, Logan, UT (US)

(*) Notice: This patent is subject to a terminal disclaimer.

(**) Term: **14 Years**

(21) Appl. No.: **29/346,781**

(22) Filed: **Nov. 5, 2009**

(51) **LOC (9) Cl.** **14-03**

(52) **U.S. Cl.** **D14/250**

(58) **Field of Classification Search** D14/140,
D14/142, 167, 217, 218, 240, 242, 248, 250-253,
D14/299, 341-347, 440; D3/200-201, 215,
D3/218-219, 226, 228, 269, 301, 272-273,
D3/276, 294; D13/103, 107-108, 119; 220/4.02;
224/191, 240, 241, 245, 682-683; 248/206.2,
248/206.4, 220.21, 279.1, 309.1; 361/679.3,
361/679.56; 379/420.04, 433.11, 446-447,
379/454, 455; 455/575.1, 575.6, 575.7, 575.8,
455/575.9; 190/100; 206/305, 320
See application file for complete search history.

(56) **References Cited**

U.S. PATENT DOCUMENTS

D366,957 S * 2/1996 Scheid et al. D3/218
D463,245 S * 9/2002 Daams D8/302

(Continued)

OTHER PUBLICATIONS

TwoPieces for iPhone 3G / 3GS, <URL:http://www.ultra-case.com/product.php?PID=32>, retrieved from internet May 20, 2010.*

(Continued)

Primary Examiner—Robert M Spear

Assistant Examiner—Carla Jobe Wright

(74) *Attorney, Agent, or Firm*—Pate Pierce & Baird

(57) **CLAIM**

The ornamental design for a case, as shown and described.

DESCRIPTION

FIG. 1 is a front perspective view a case in accordance with the invention, showing the case in an assembled state, and supported by the stand in the deployed position;

FIG. 2 is a front elevation view of the case of FIG. 1, with the stand in the stowed position;

FIG. 3 is a front elevation view of the case of FIG. 1, showing the two mating portions of the case separated for ease of illustration;

FIG. 4 is a rear elevation view of the case of FIG. 1, with the stand in the stowed and latched position;

FIG. 5 is a rear elevation view of the case of FIG. 1, showing the two mating portions of the case separated for ease of illustration, with the stand in the stowed but unlatched position;

FIG. 6 is a left side elevation view of the case of FIG. 1, with the stand in the stowed and latched position;

FIG. 7 is a left side elevation view of the case of FIG. 1, with the stand in the deployed position;

FIG. 8 is a right side elevation view of the case of FIG. 1, with the stand in the stowed and latched position;

FIG. 9 is a right side elevation view of the case of FIG. 1, with the stand in the deployed position;

FIG. 10 is a bottom plan view of the case of FIG. 1, with the stand in the stowed and latched position;

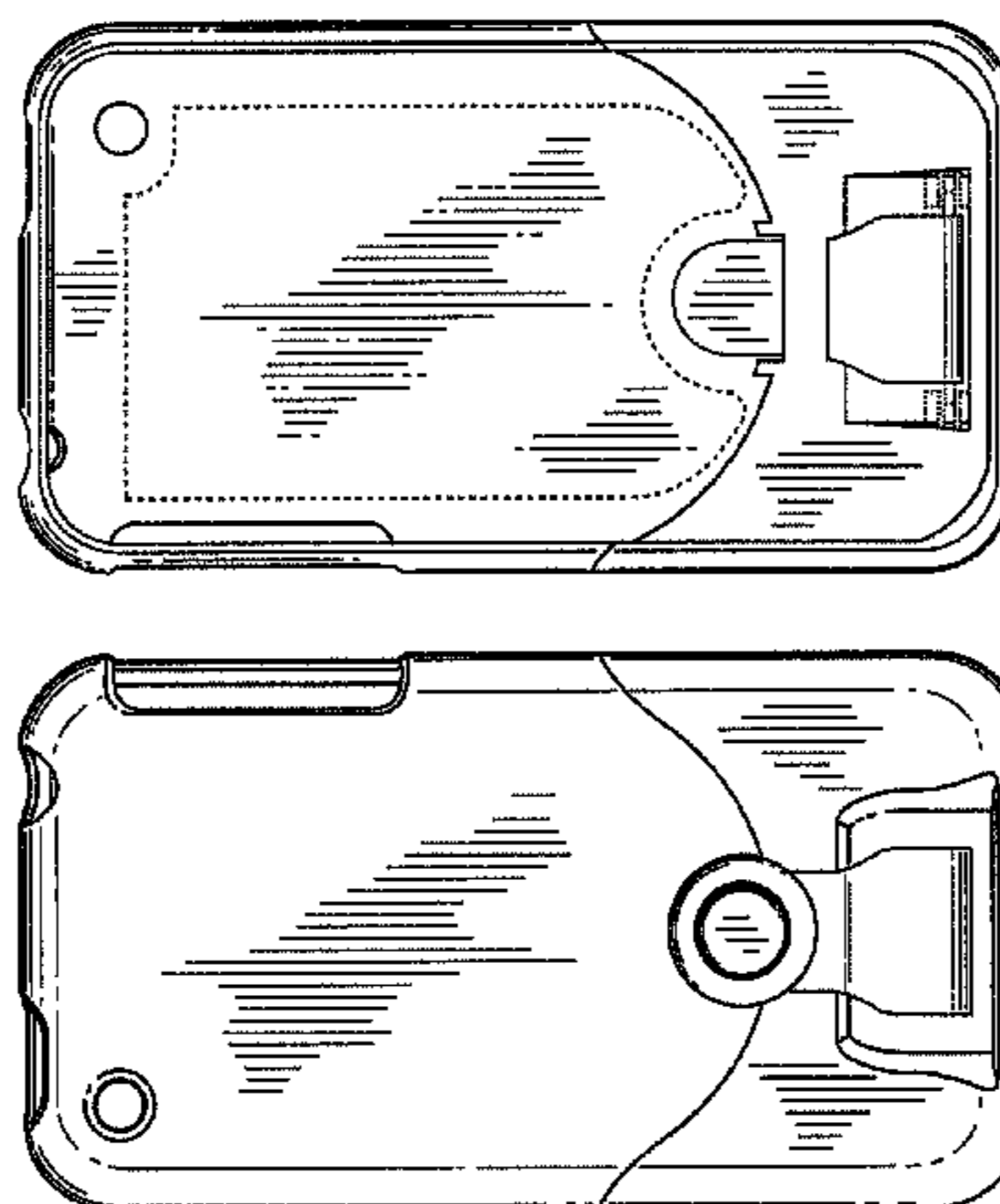
FIG. 11 is a bottom plan view of the case of FIG. 1, with the stand in the deployed position;

FIG. 12 is a top plan view of the case of FIG. 1, with the stand in the stowed and latched position; and,

FIG. 13 is a top plan view of the case of FIG. 1, with the stand in the deployed position.

In the drawings, the broken lines depict unclaimed environment.

1 Claim, 6 Drawing Sheets



U.S. PATENT DOCUMENTS

D469,605 S * 2/2003 Vernon et al. D3/287
 D484,874 S * 1/2004 Chang et al. D14/250
 D551,847 S * 10/2007 Yeap et al. D3/201
 D556,681 S * 12/2007 Kim D13/103
 D563,093 S * 3/2008 Nussberger D3/201
 D565,290 S * 4/2008 Brandenburg et al. D3/218
 D565,291 S * 4/2008 Brandenburg et al. D3/218
 D570,593 S * 6/2008 Justiss D3/201
 D574,819 S * 8/2008 Andre et al. D14/250
 D575,056 S * 8/2008 Tan D3/218
 D587,896 S * 3/2009 Aipa D3/201
 D593,746 S * 6/2009 Richardson et al. D3/201
 D593,750 S * 6/2009 Song D3/269
 D597,089 S * 7/2009 Khan et al. D14/250
 D597,301 S * 8/2009 Richardson et al. D3/218
 7,569,781 B2 * 8/2009 Lam et al. 200/5 R
 D600,908 S * 9/2009 Richardson et al. D3/218
 D603,389 S * 11/2009 Khan et al. D14/250
 D603,603 S * 11/2009 Laine et al. D3/218
 7,612,997 B1 * 11/2009 Diebel et al. 361/679.56
 D605,850 S * 12/2009 Richardson et al. D3/218
 D606,305 S * 12/2009 Lee et al. D3/269
 D606,528 S * 12/2009 Khan et al. D14/250
 D606,529 S * 12/2009 Ferrari et al. D14/250
 D609,228 S * 2/2010 Ferrari et al. D14/250
 D609,463 S * 2/2010 Bullen D3/218
 D609,464 S * 2/2010 Bullen D3/218
 D610,807 S * 3/2010 Bau D3/269
 D613,282 S * 4/2010 Richardson et al. D14/250
 D615,063 S * 5/2010 Jeong et al. D14/138 AB
 D615,077 S * 5/2010 Richardson et al. D14/250

D615,078 S * 5/2010 Bradley D14/250
 D615,535 S * 5/2010 Richardson et al. D14/250
 D615,536 S * 5/2010 Richardson et al. D14/250
 D615,967 S * 5/2010 Richardson et al. D14/250
 2009/0111543 A1 * 4/2009 Tai et al. 455/575.8

OTHER PUBLICATIONS

Whisper for iPhone 3G/3GS, <URL:http://www.ultra-case.com/product.php?PID=249>, retrieved from internet May 20, 2010.*
 Droid Eris by HTC Commuter Series Case, <URL:http://www.otterbox.com/htc-cases/droid-eris-by-htc-cases/droid-eris-by-htc-commuter-series-case/>, retrieved from internet May 20, 2010.*
 Google Nexus One Commuter Series Case, <URL:http://www.otterbox.com/google-cases/nexus-one-cases/google-nexus-one-commuter-series-case/>, retrieved from internet May 20, 2010.*
 BlackBerry Pearl 9100 Commuter Series Case, <URL:http://www.otterbox.com/blackberry-cases/blackberry-pearl/blackberry-pearl-9100-cases/blackberry-pearl-9100-commuter-series-case/>, retrieved from internet May 20, 2010.*
 Edge Hard Shell Polycarbonate Slider Case for BlackBerry Storm 9550—Pearl, <URL:http://www.myincipio.com/product/BLACKBERRY_BB-835/EDGE-Hard-Shell-Polycarbonate-Slider-Case-for-BlackBerry-Storm-9550---Pearl-White.html>, retrieved from internet May 20, 2010.*
 Dark Purple dermaSHOT Silicone Case for Google Nexus One, <URL:http://www.myincipio.com/product/GGL_NEXUS_ONE_HT-137/Dark-Purple-dermaSHOT-Silicone-Case-for-Google-Nexus-One.html>, retrieved from internet May 20, 2010.*
 HTC Droid Eris S6200 Silicone Case, Rubber Skin—Light Blue, <URL:http://www.accessorygeeks.com/htc-droid-eris-s6200-silicone-case-light-blue.html>, retrieved from internet May 20, 2010.*

* cited by examiner

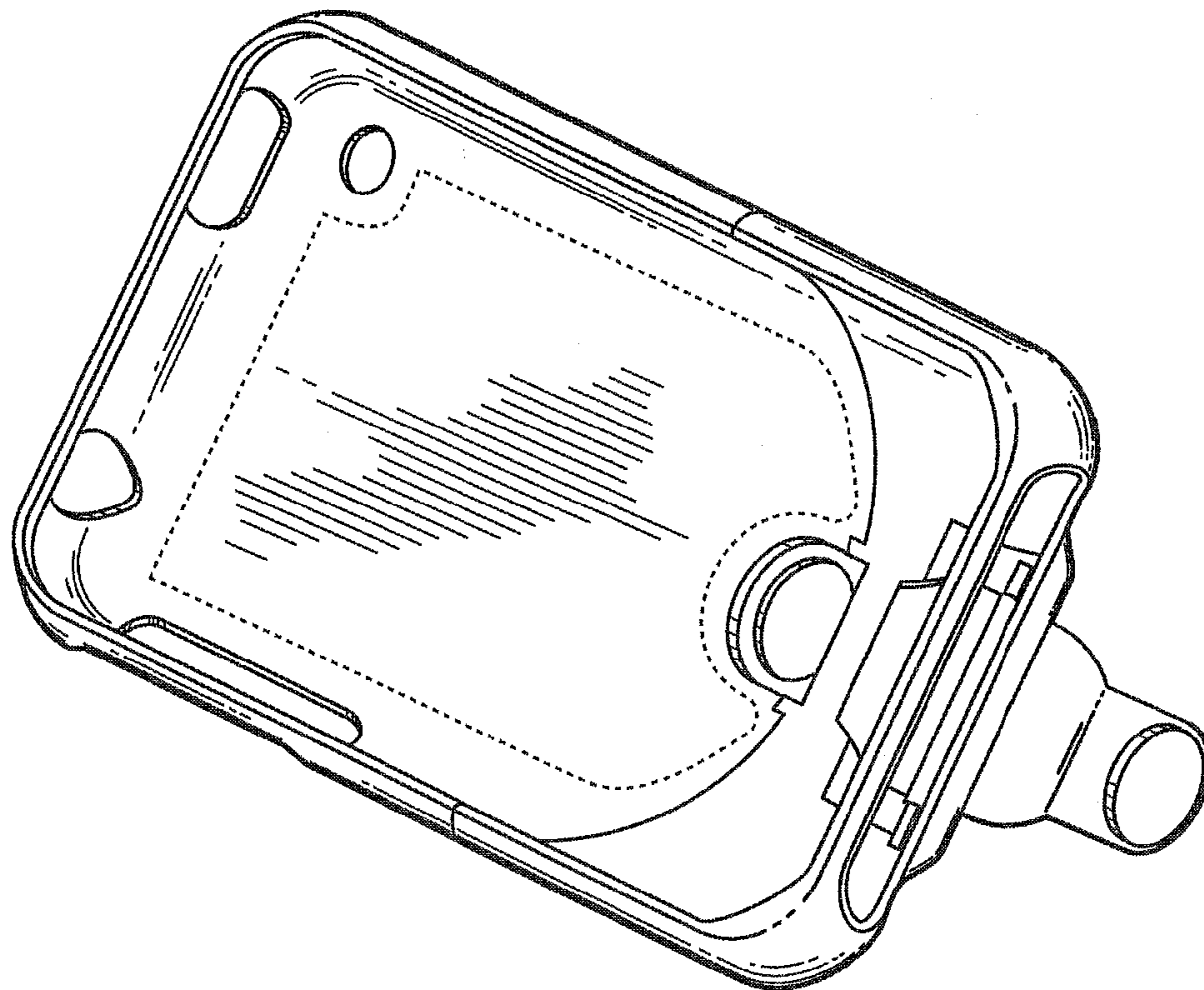


FIG. 1

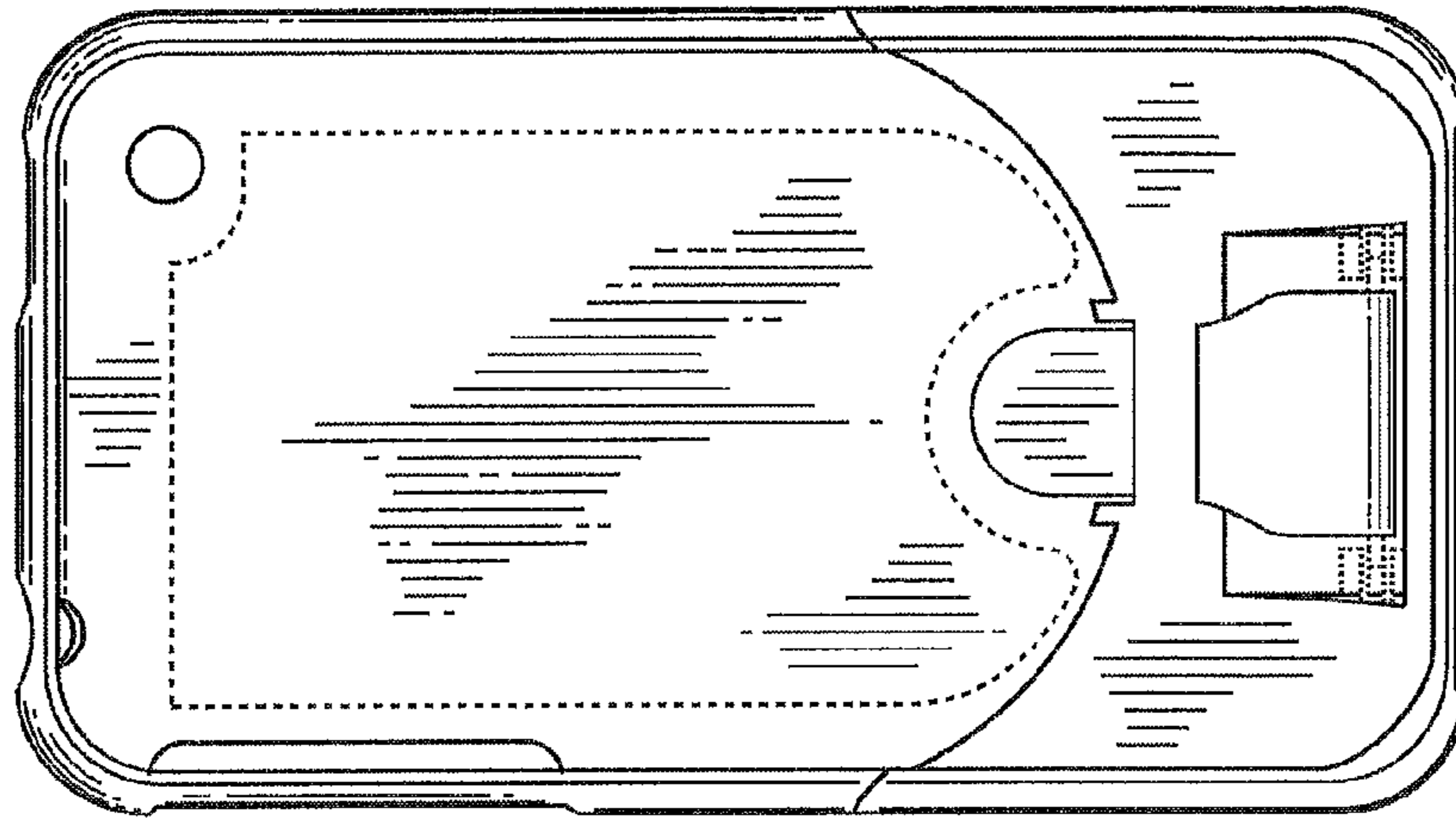


FIG. 2

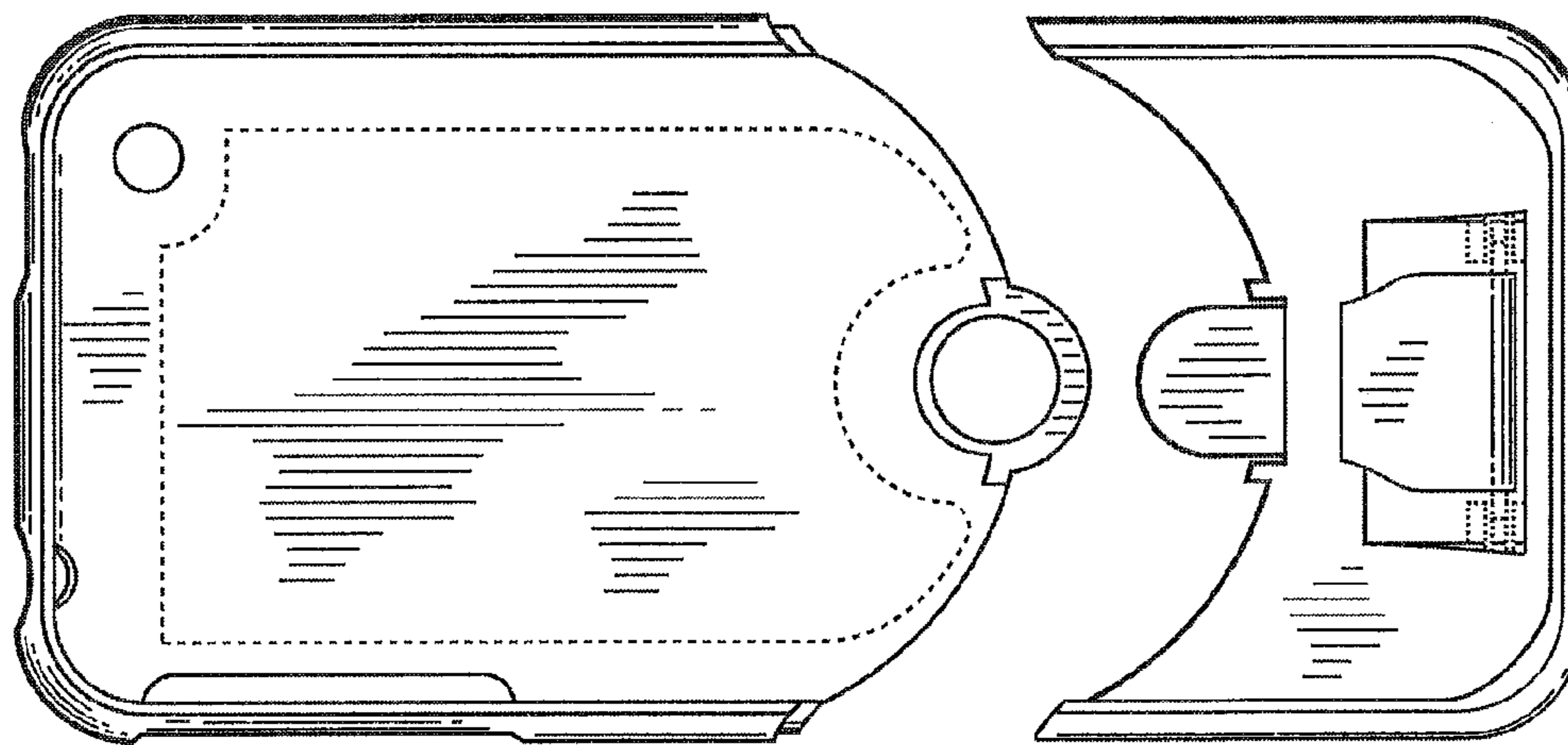


FIG. 3

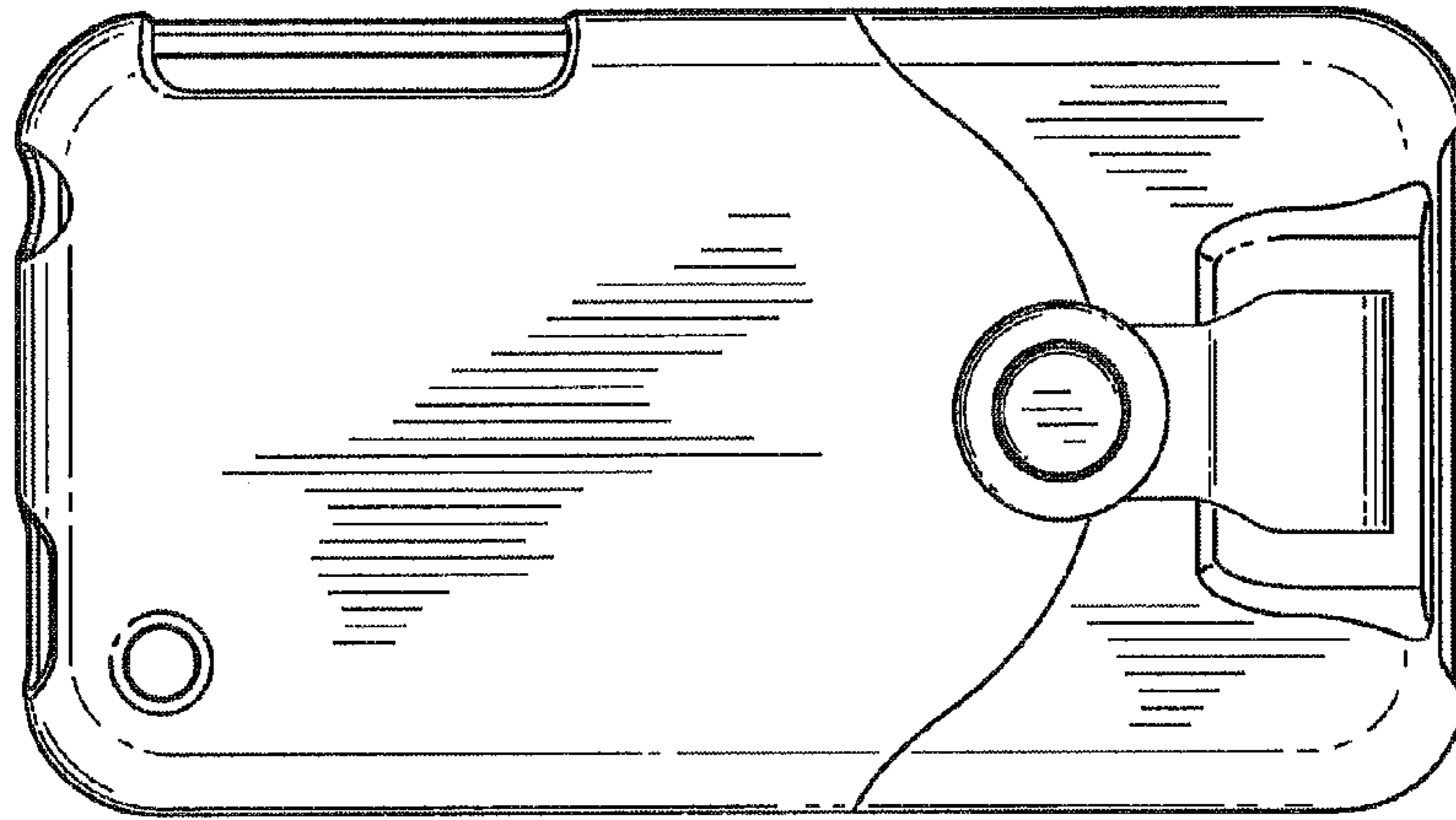


FIG. 4

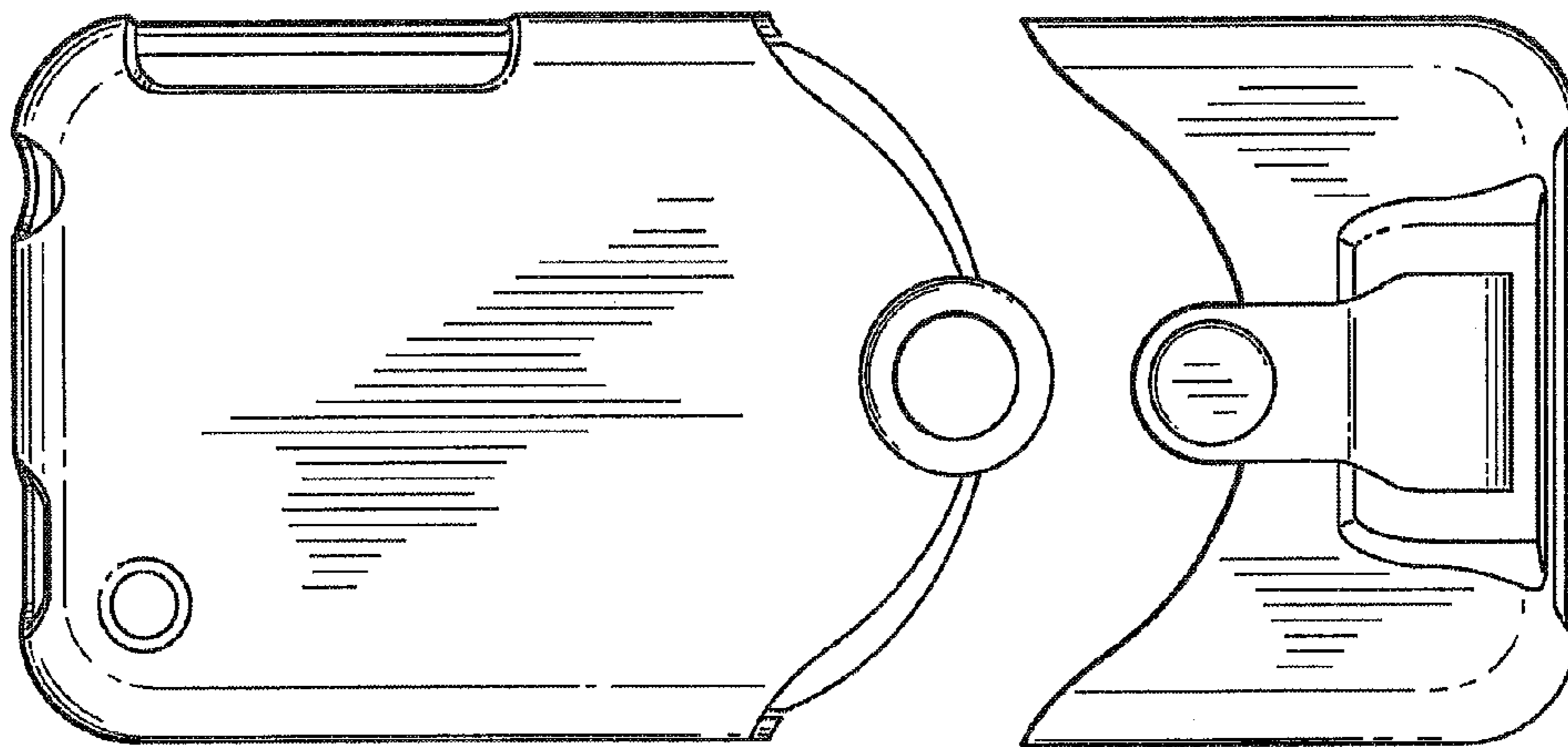


FIG. 5

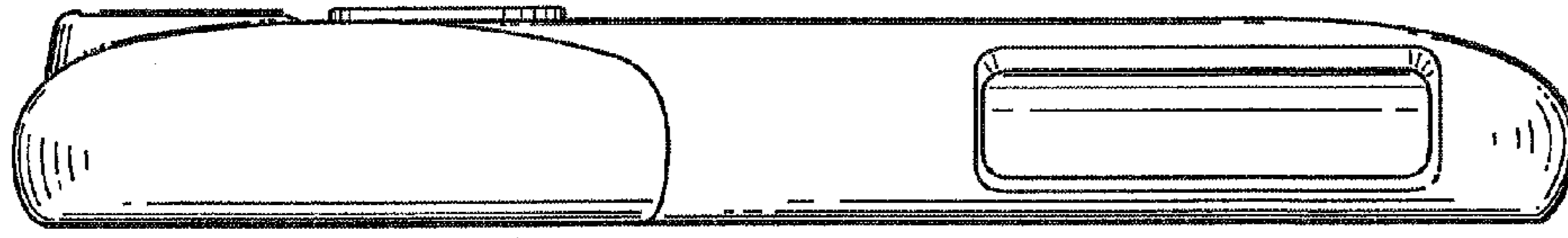


FIG. 6

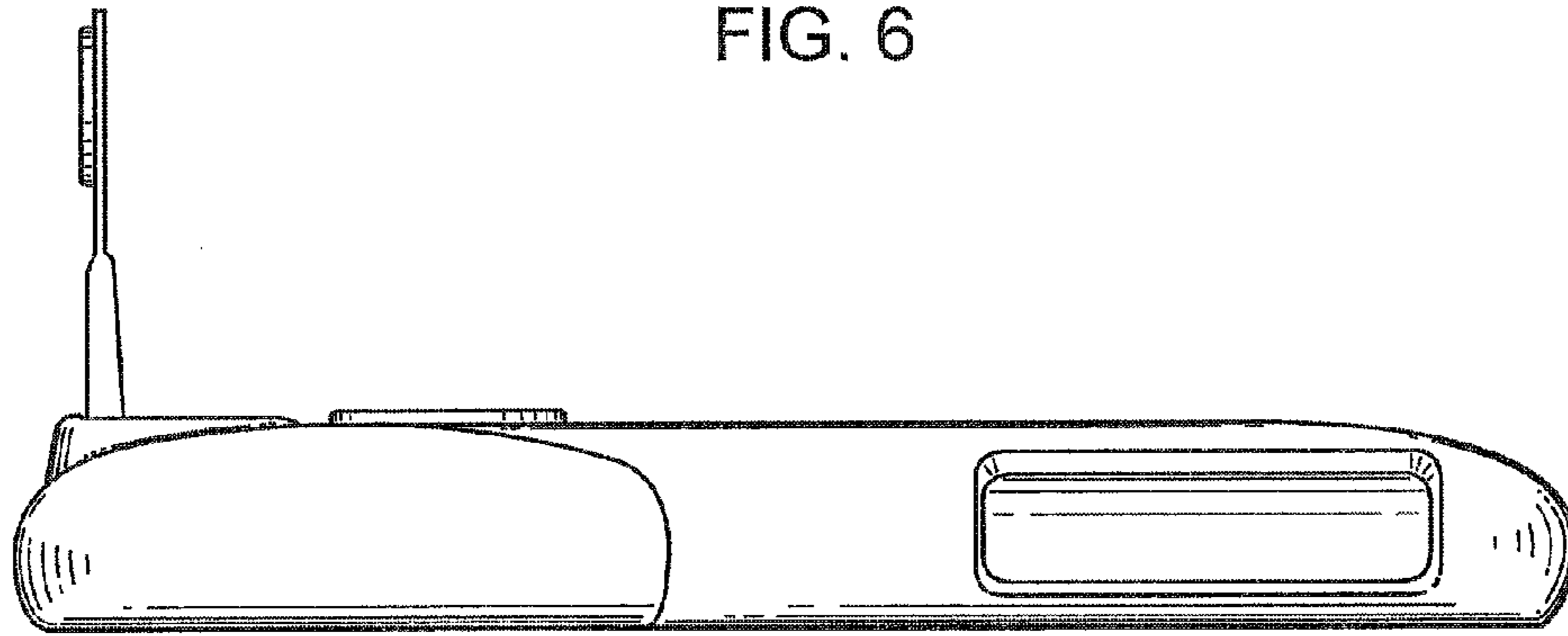


FIG. 7

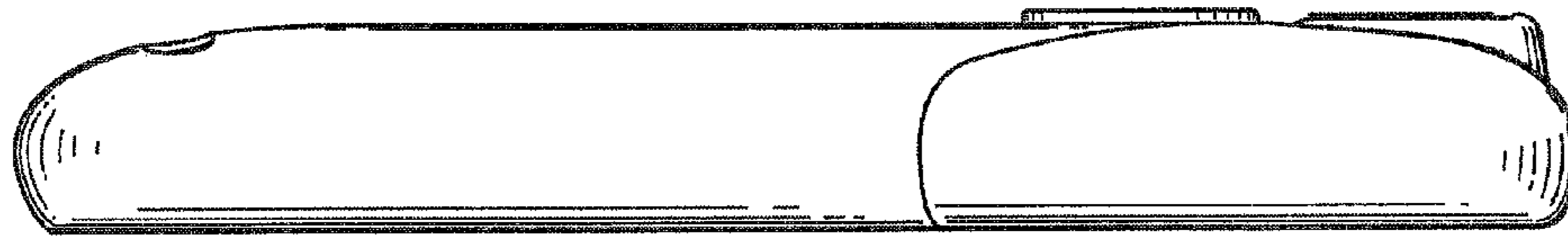


FIG. 8

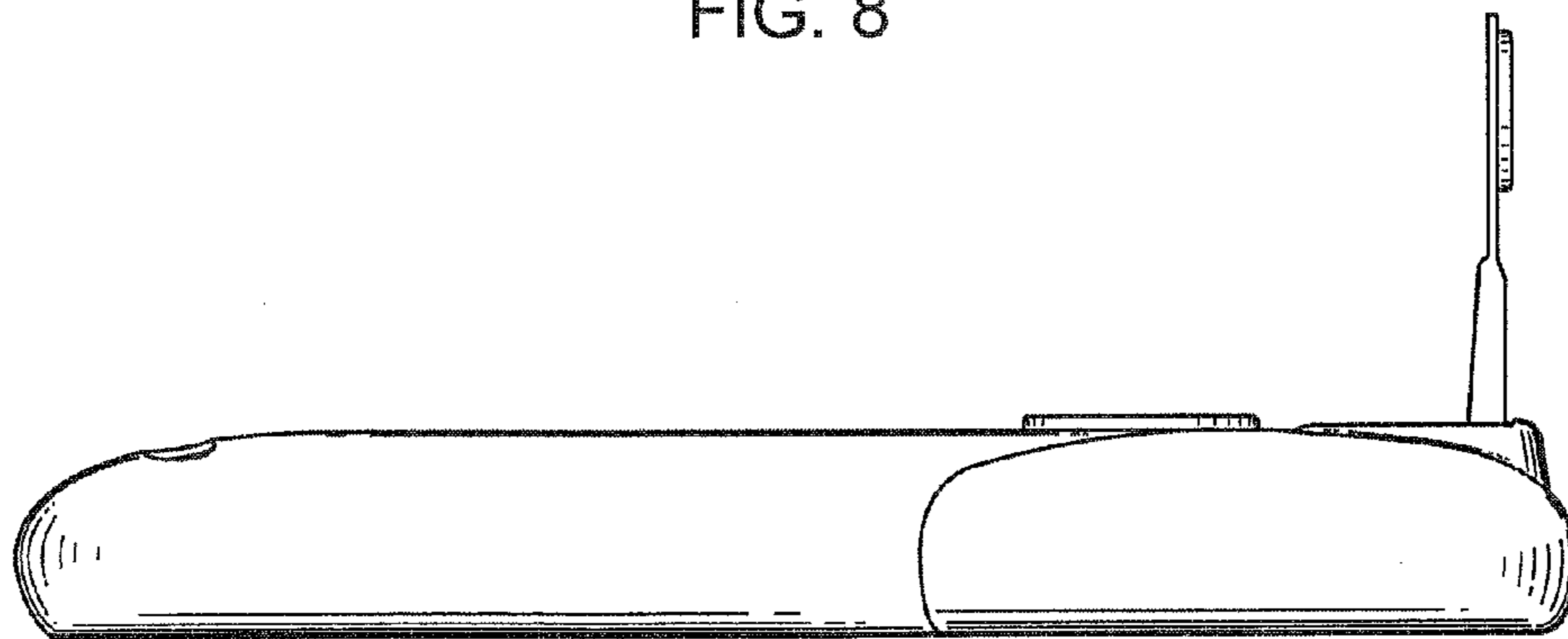


FIG. 9

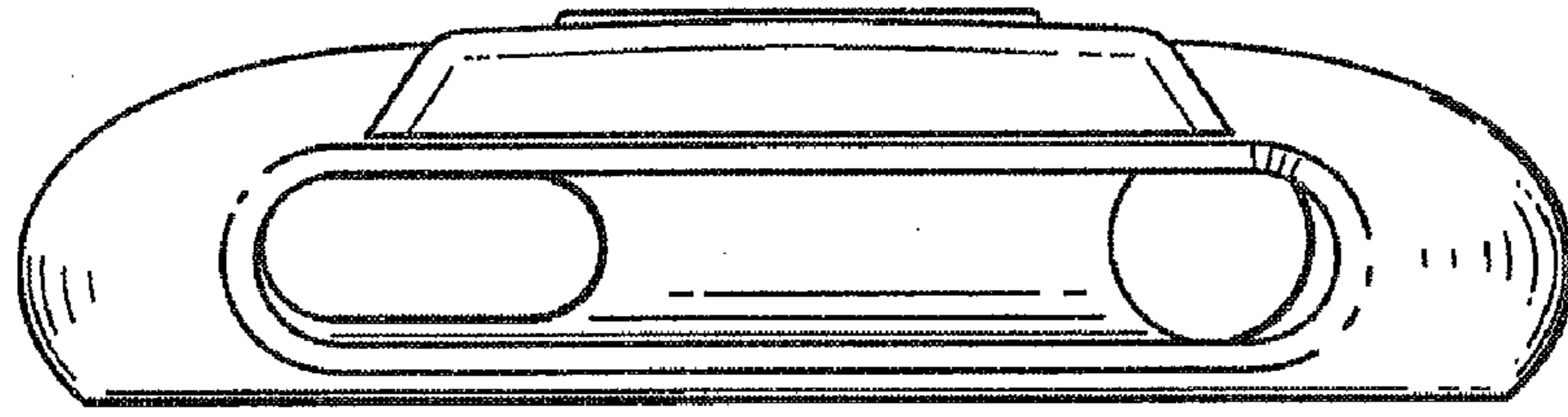


FIG. 10

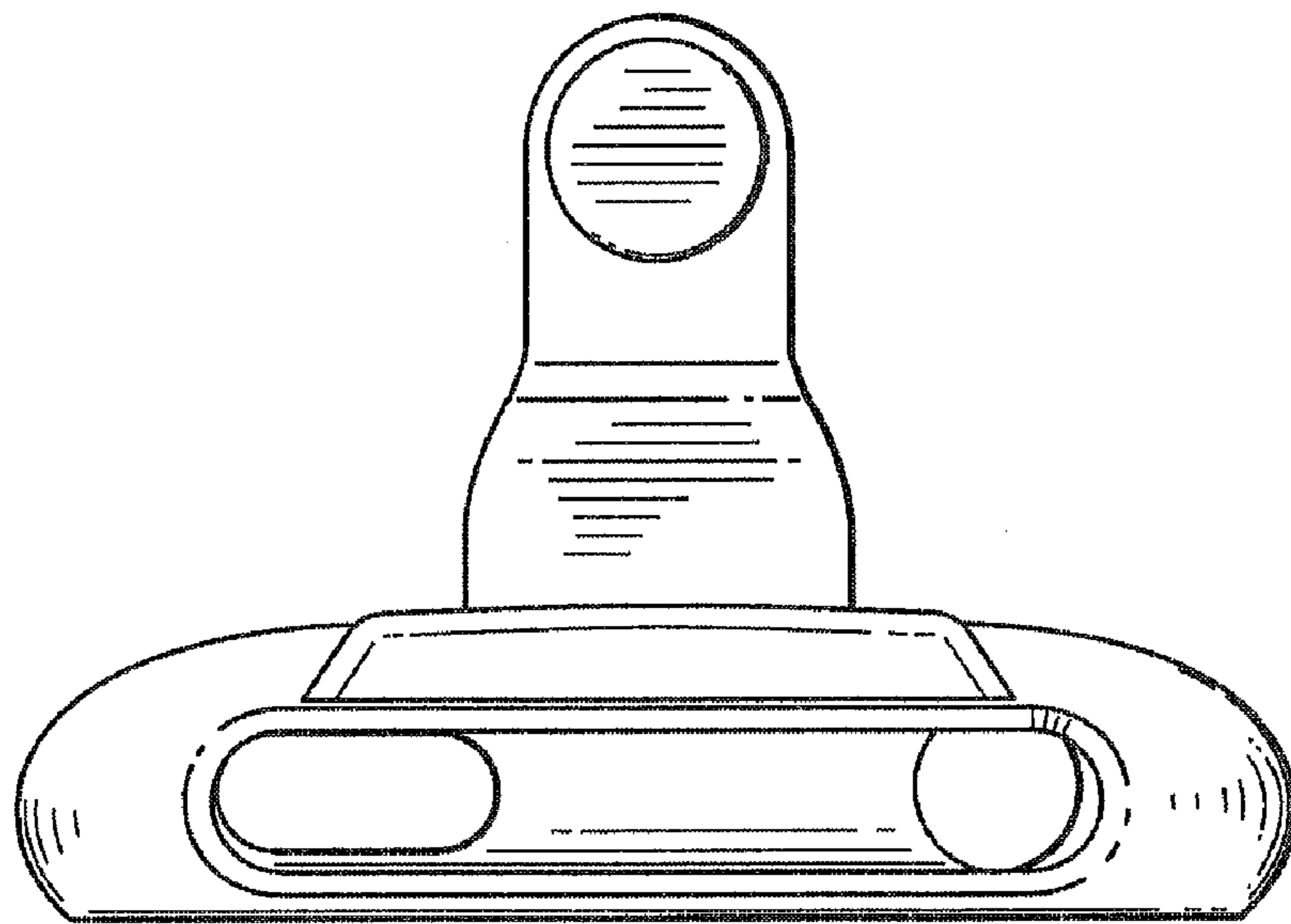


FIG. 11

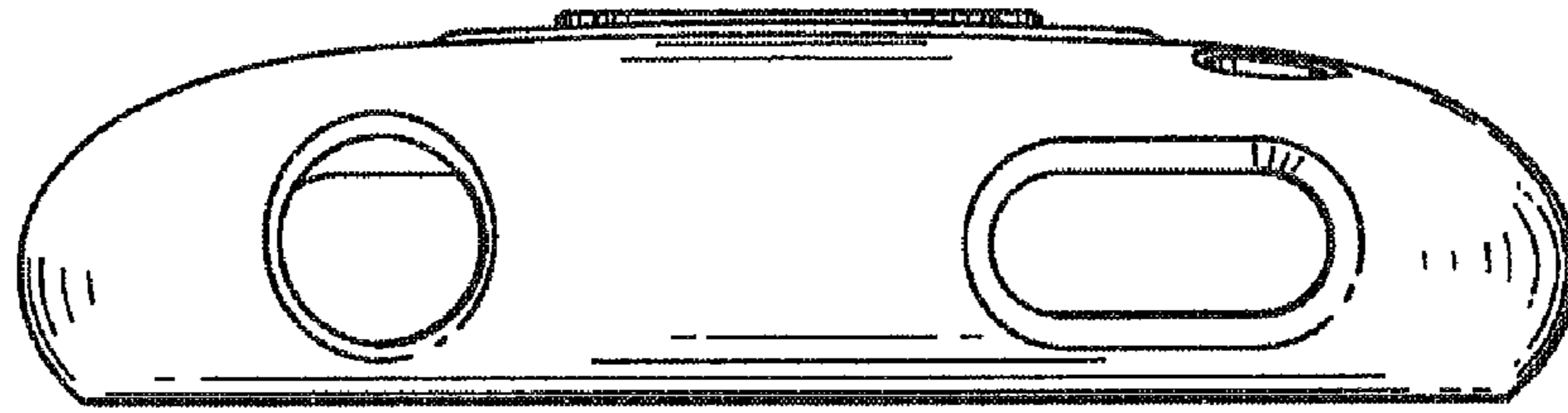


FIG. 12

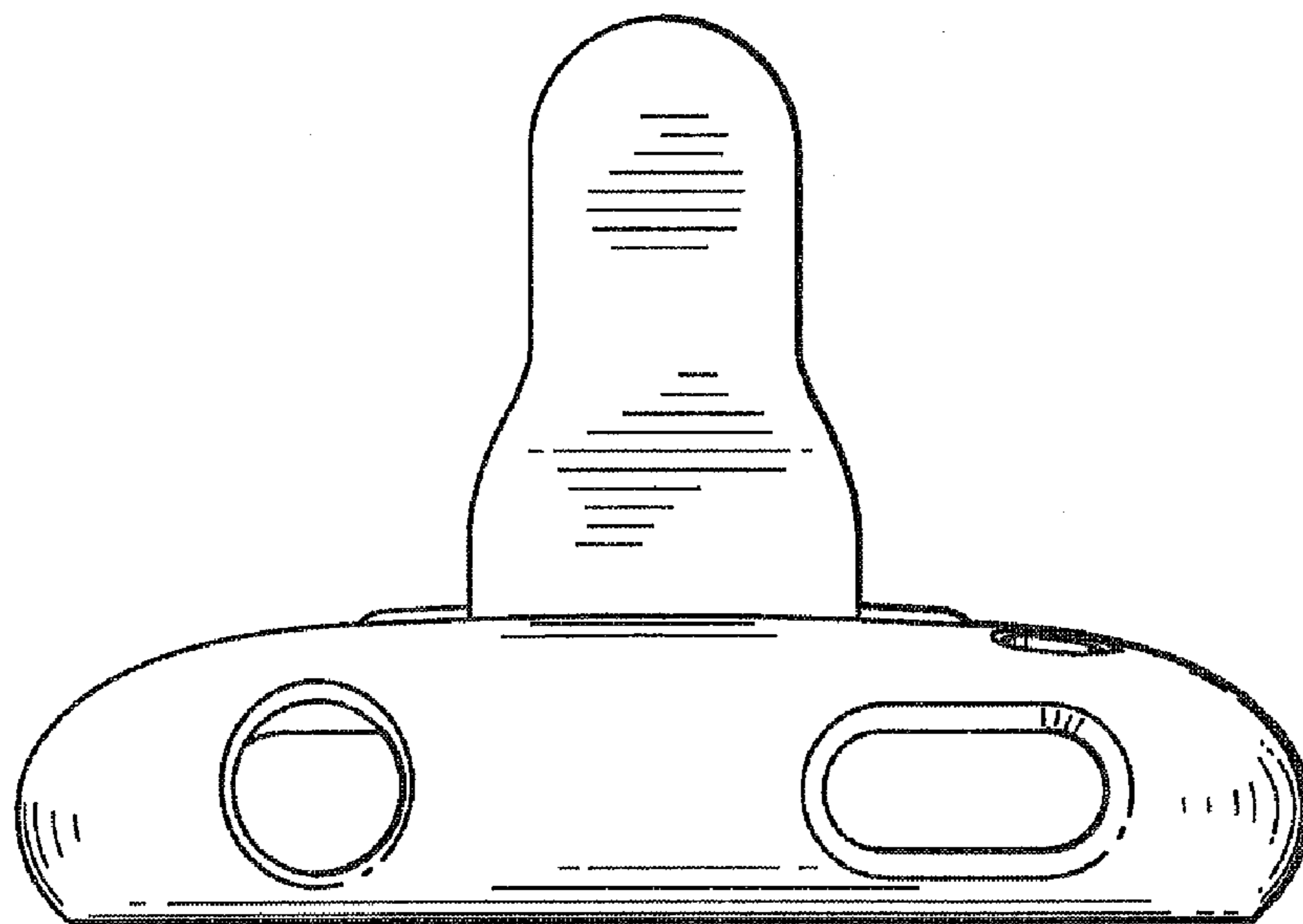


FIG. 13