

US00D624906S

(12) **United States Design Patent**
Gorman

(10) **Patent No.:** **US D624,906 S**

(45) **Date of Patent:** **** Oct. 5, 2010**

(54) **COMMUNICATION ADAPTER FOR
ENDPOINT AND THIN CLIENT**

D591,271 S * 4/2009 Lindackers et al. D14/218
D595,699 S * 7/2009 Skottke D14/230

(75) Inventor: **Christopher Michael Gorman**, Ottawa
(CA)

* cited by examiner

(73) Assignee: **Mitel Networks Corporation**, Ottawa,
Ontario (CA)

Primary Examiner—Ian Simmons

Assistant Examiner—Charles D Hanson

(74) *Attorney, Agent, or Firm*—Michelle Whittington, Esq.

(**) Term: **14 Years**

(57) **CLAIM**

(21) Appl. No.: **29/310,449**

The ornamental design for a communication adapter for end-
point and thin client, as shown and described.

(22) Filed: **Aug. 18, 2008**

(51) **LOC (9) Cl.** **14-01**

(52) **U.S. Cl.** **D14/240**

(58) **Field of Classification Search** D14/137,
D14/140–140.9, 155, 167, 188, 204, 205,
D14/207, 210, 215, 218, 230–237, 240, 242,
D14/302, 314, 132–134, 348–358, 363, 383,
D14/433, 435.1, 496; D13/149, 184, 137.1–139.8,
D13/110, 144; 711/100, 115; 361/685, 725,
361/752; 369/272.1, 273, 75.11; 360/133,
360/79.01, 97.03; 379/220.01, 221.09, 220.14,
379/25, 93.09, 93.19, 156, 900, 338–339,
379/441

See application file for complete search history.

DESCRIPTION

FIG. 1 is a top, back, and right side perspective view of a
communication adapter for endpoint and thin client showing
my new design;

FIG. 2 is a back view of FIG. 1 thereof;

FIG. 3 is a front view of FIG. 1 thereof;

FIG. 4 is a side view of FIG. 1 thereof;

FIG. 5 is the opposite side view of FIG. 1 thereof;

FIG. 6 is a top view of FIG. 1 thereof; and,

FIG. 7 is a bottom view of FIG. 1 thereof.

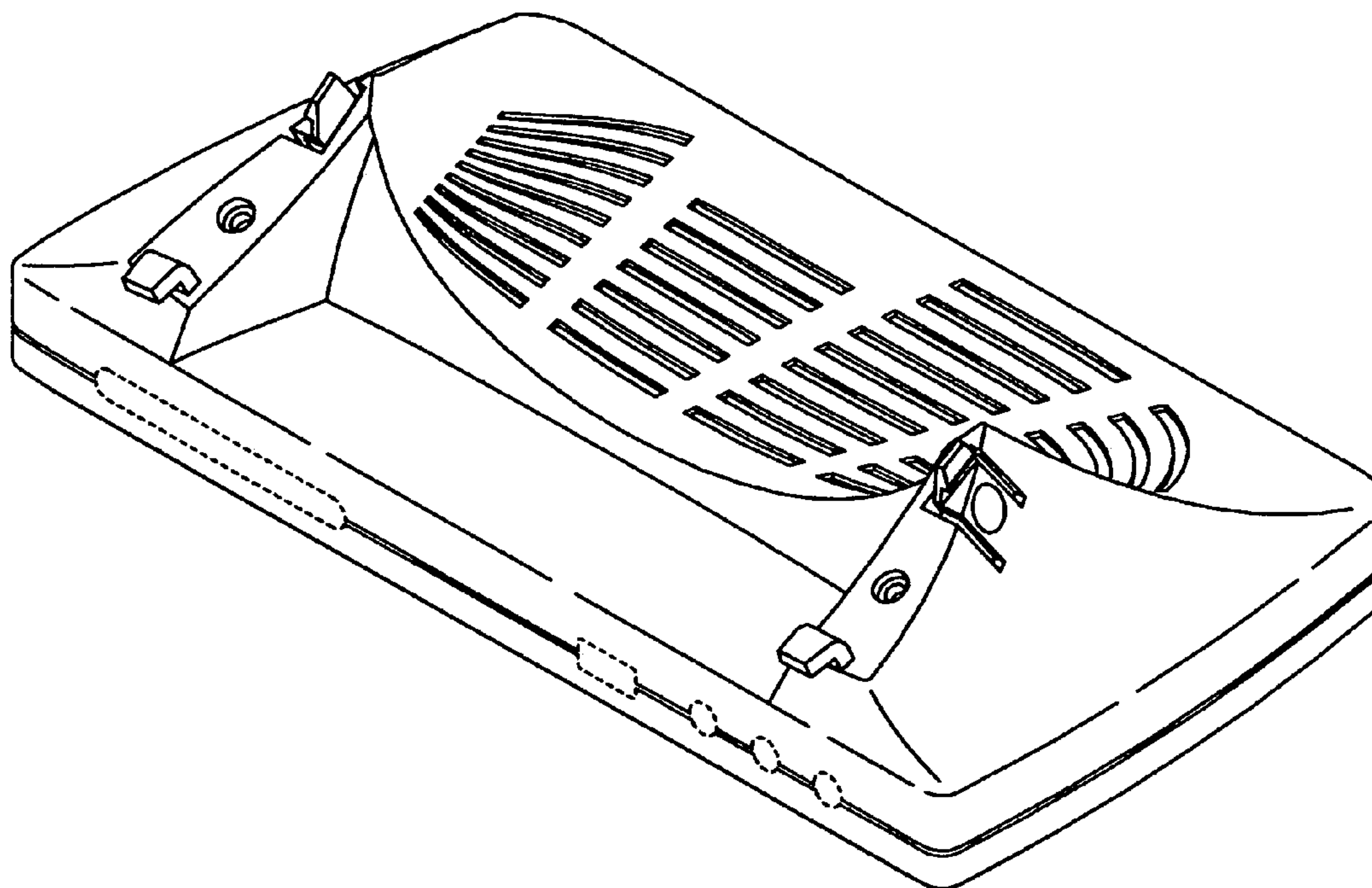
The broken lines throughout the views are for illustrative
purposes only and form no part of the claimed design.

(56) **References Cited**

U.S. PATENT DOCUMENTS

D544,470 S * 6/2007 Markefka D14/230

1 Claim, 7 Drawing Sheets



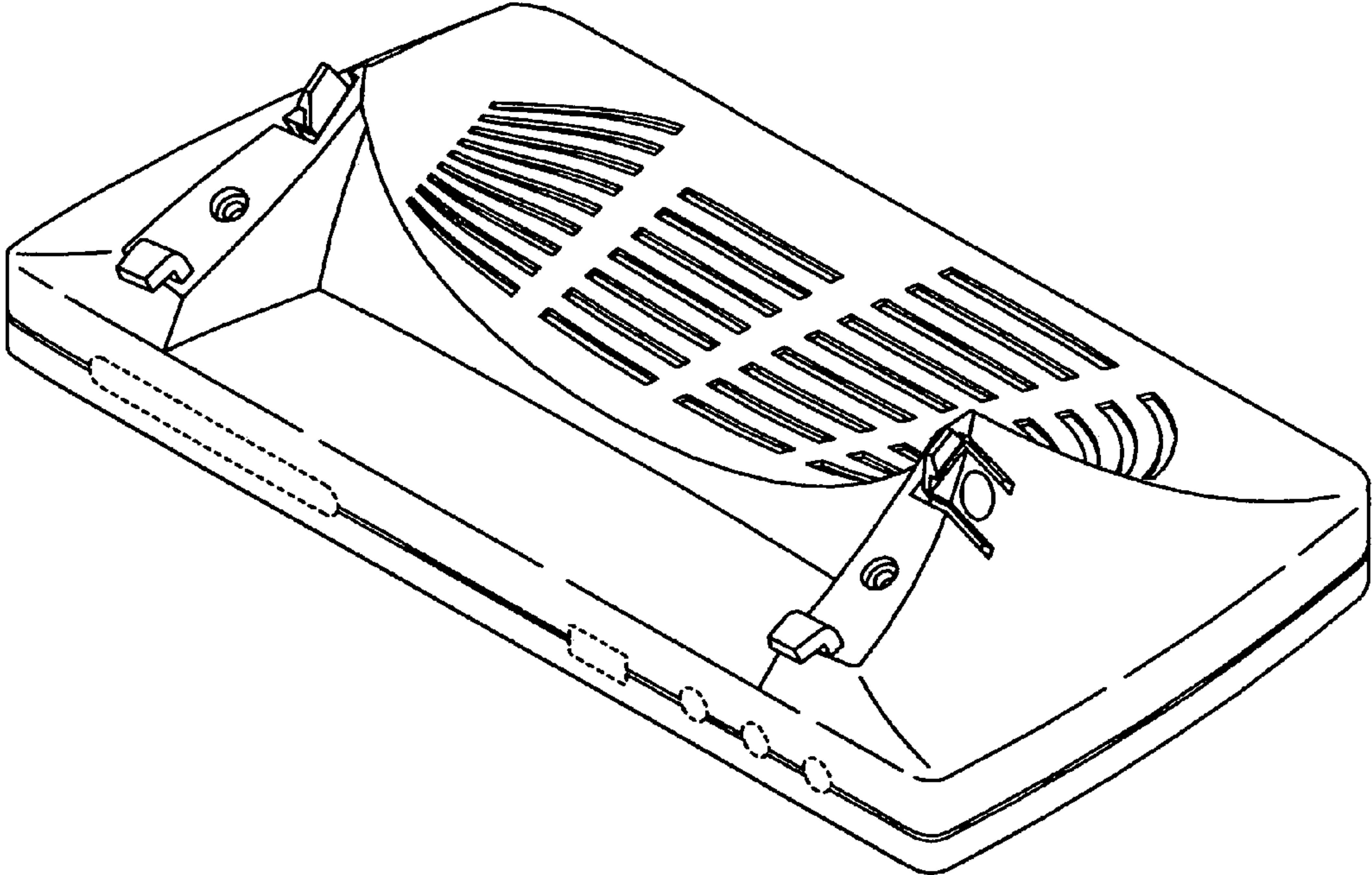


Fig. 1

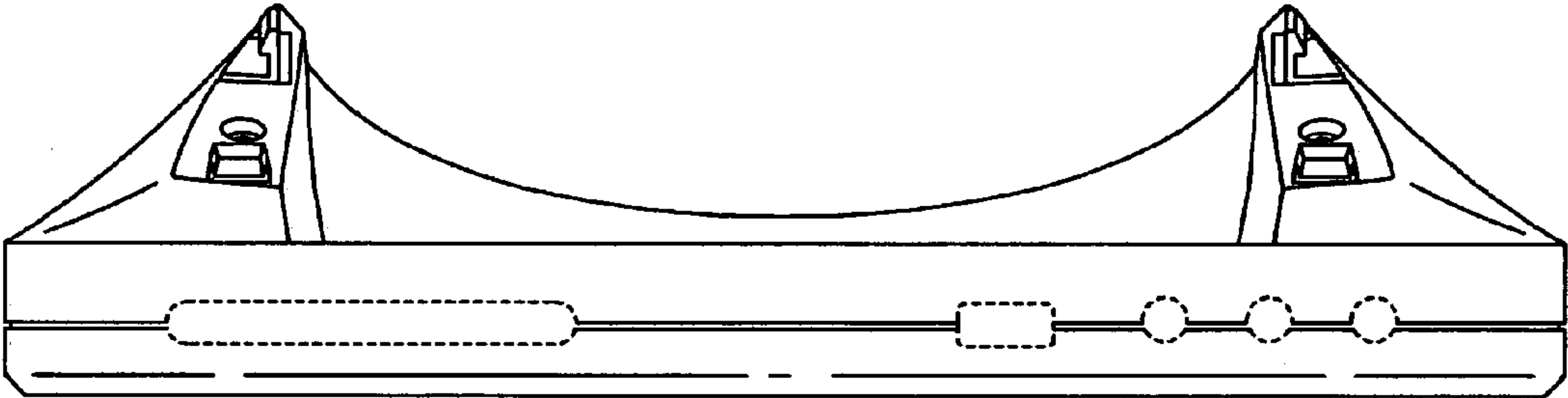


Fig. 2

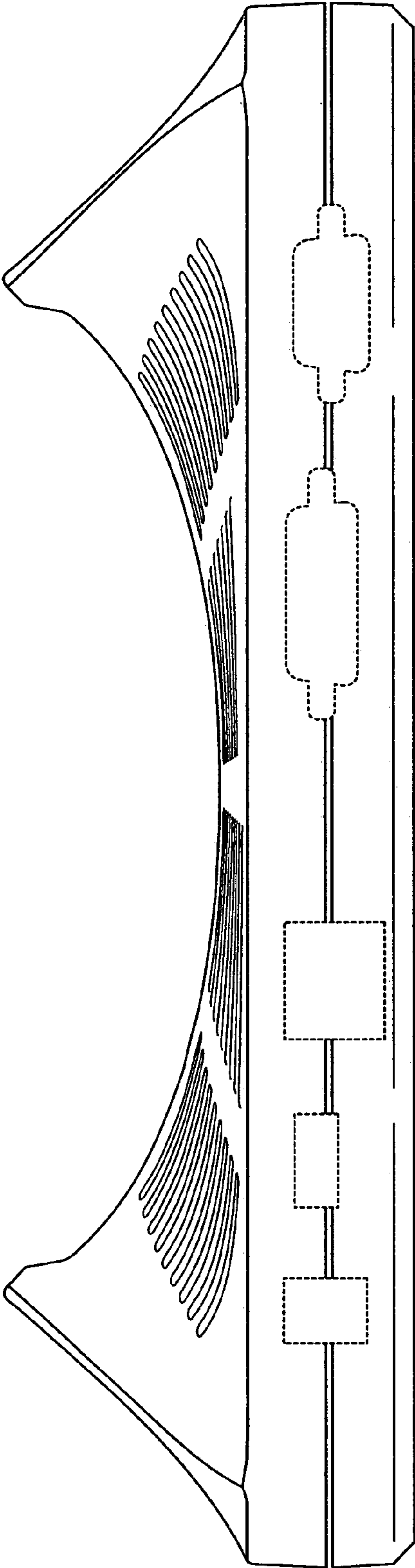


Fig. 3

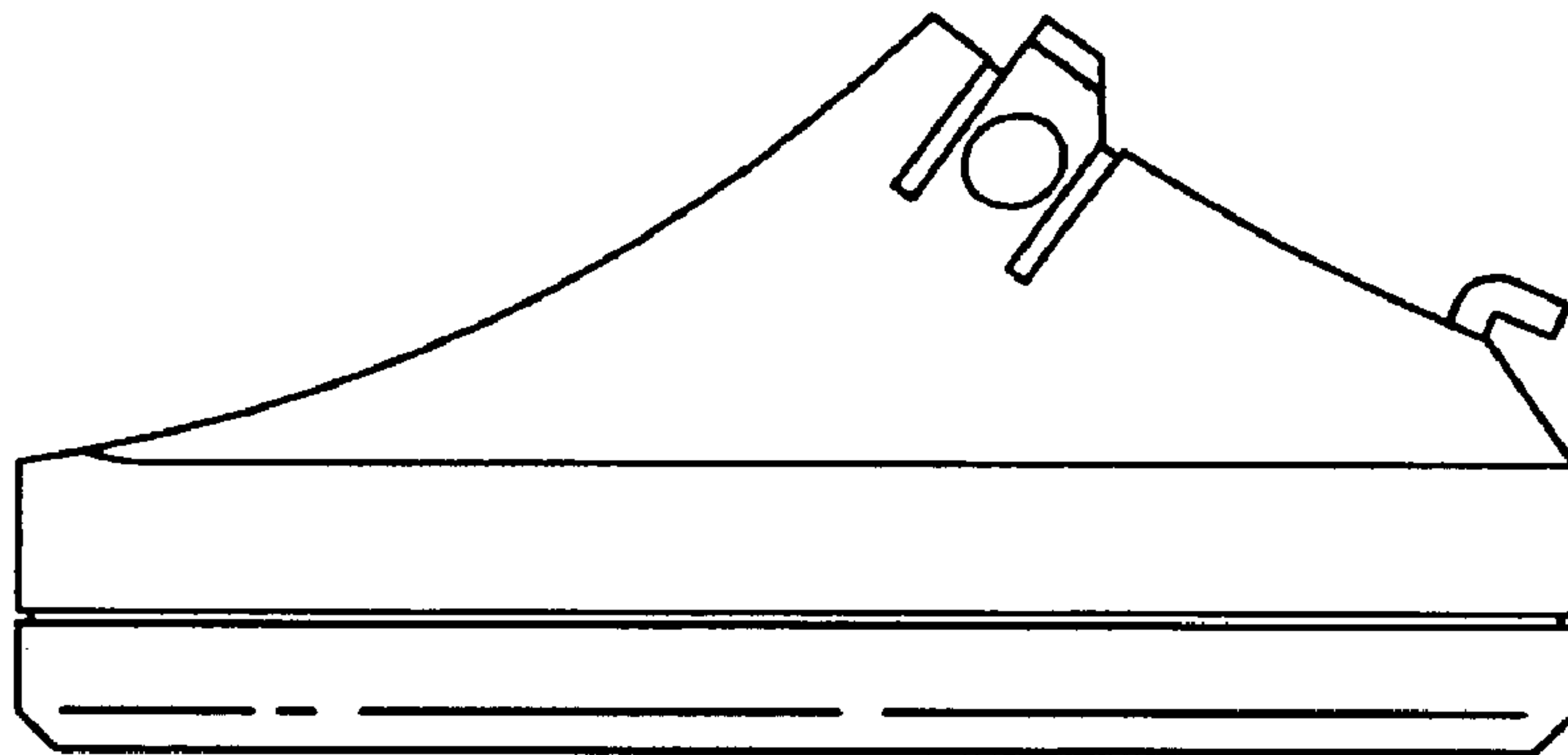


Fig. 4

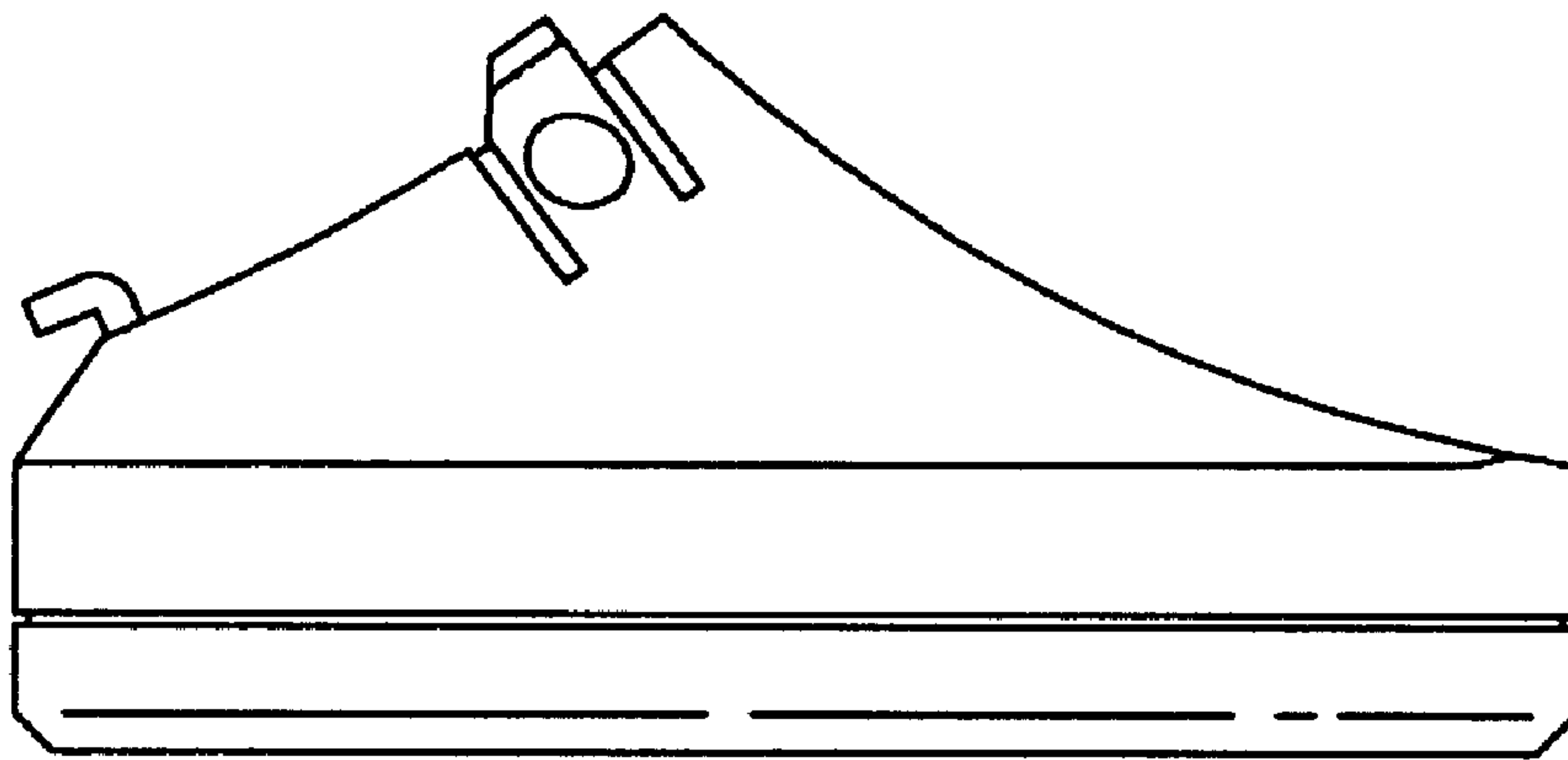


Fig. 5

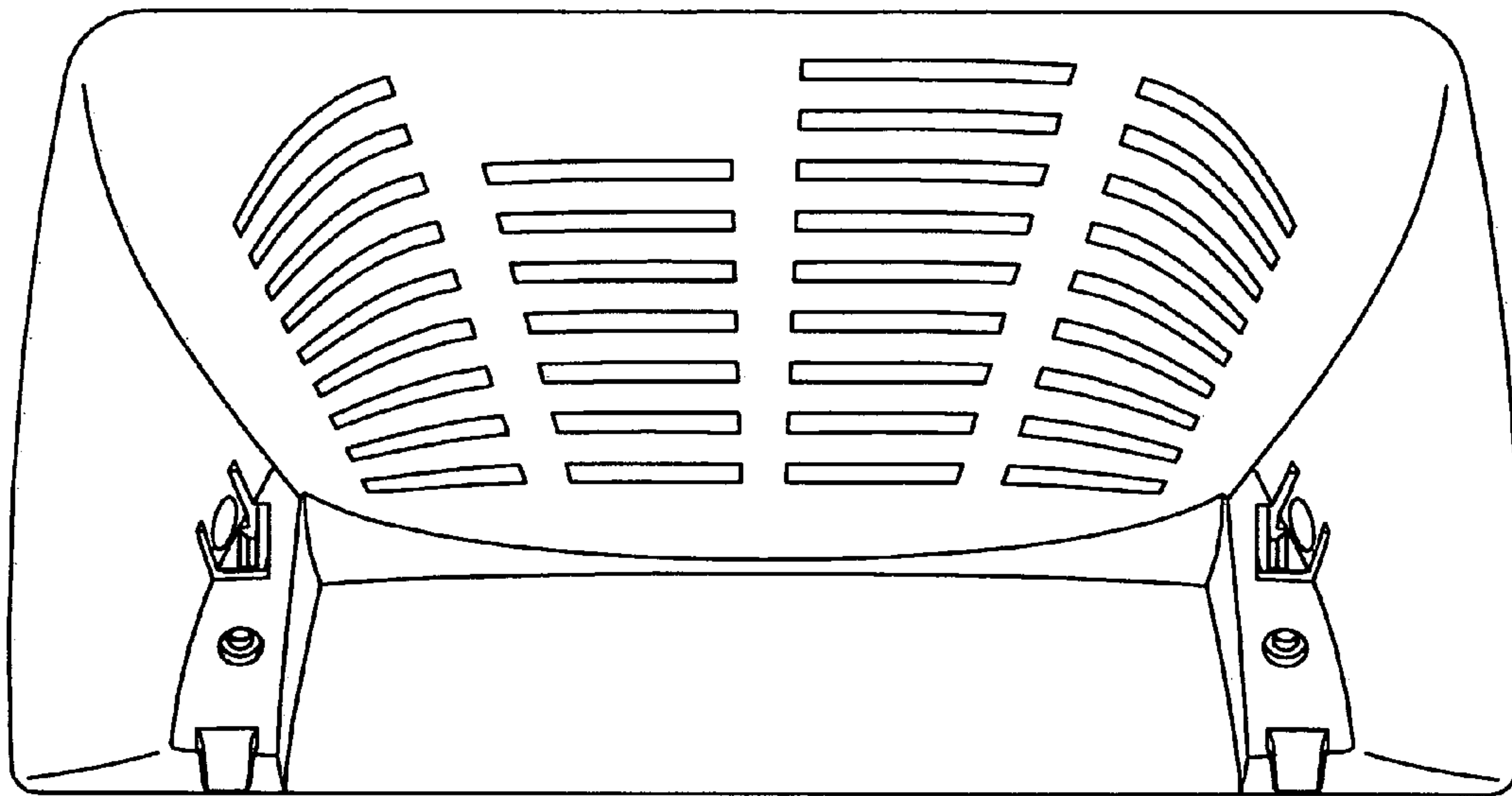


Fig. 6

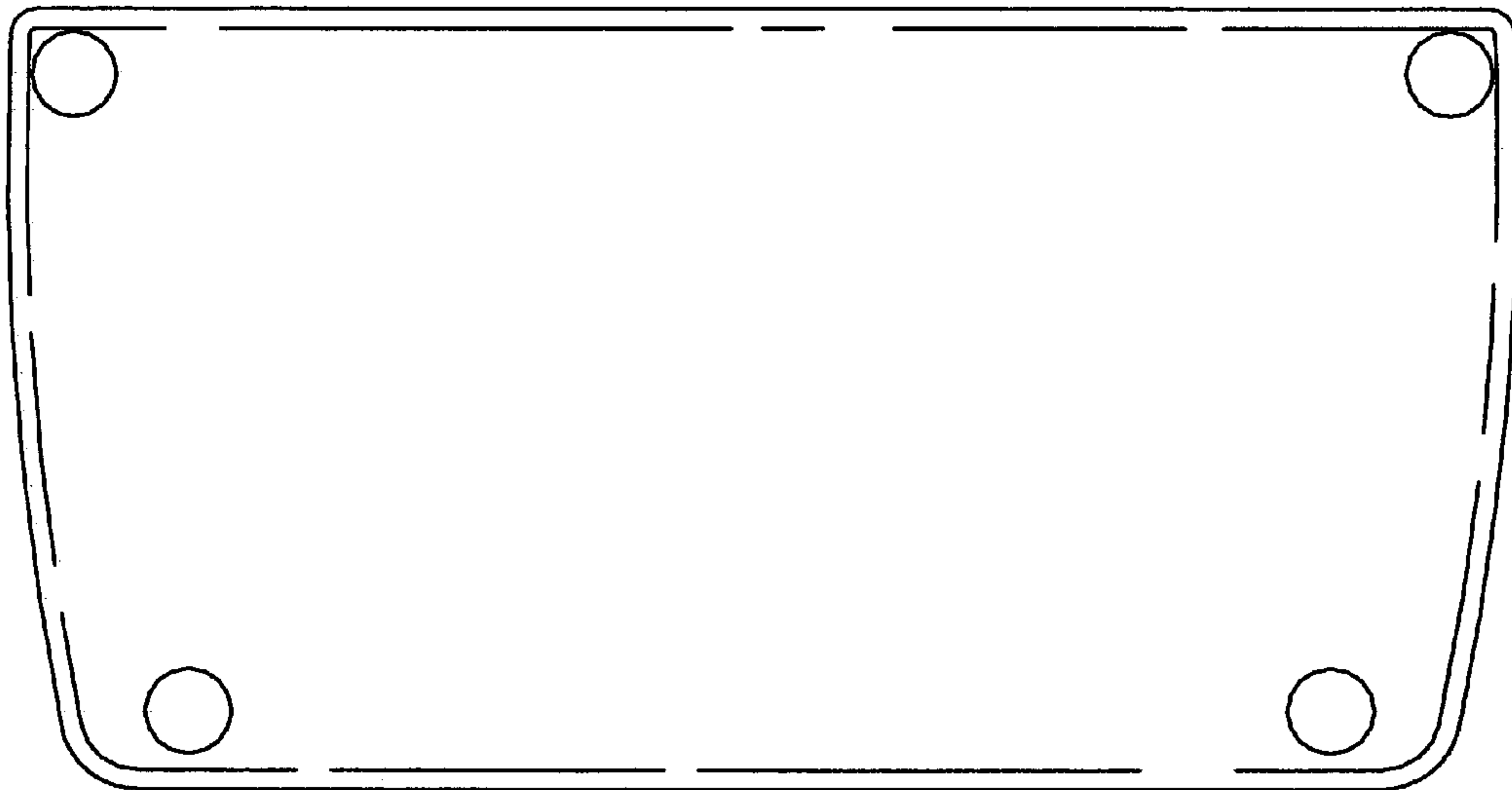


Fig. 7