

US00D624905S

(12) **United States Design Patent**
Lee

(10) **Patent No.:** **US D624,905 S**
(45) **Date of Patent:** **** Oct. 5, 2010**

(54) **MICROPHONE STAND**

(75) Inventor: **Kyung Ho Lee**, Seoul (KR)

(73) Assignee: **Enter Tech Co., Ltd.**, Seoul (KR)

(**) Term: **14 Years**

(21) Appl. No.: **29/342,470**

(22) Filed: **Aug. 25, 2009**

(51) **LOC (9) Cl.** **14-01**

(52) **U.S. Cl.** **D14/229**

(58) **Field of Classification Search** D14/225,
D14/226, 227, 228, 229, 137, 138 R, 142,
D14/148, 149, 151, 155, 210, 253, 434, 185,
D14/168; D13/107, 108; D16/242; 381/122,
381/355; 379/428.01, 428.02, 420.01–420.02,
379/426; 455/569.1, 575.1, 573; D3/218,
D3/315; 320/107, 109, 115

See application file for complete search history.

(56) **References Cited**

U.S. PATENT DOCUMENTS

D194,790 S * 3/1963 Neuhardt D13/107
D275,482 S * 9/1984 Coons et al. D14/253
D317,449 S * 6/1991 Kanatani et al. D14/138 R
D350,540 S * 9/1994 Hyvonen D14/149
D357,016 S * 4/1995 Li et al. D14/168
D439,219 S * 3/2001 Minagawa et al. D13/108
D472,538 S * 4/2003 Chan D14/149
D480,376 S * 10/2003 Ma D14/149

D524,282 S * 7/2006 Beasley et al. D14/149
D528,979 S * 9/2006 Franck et al. D13/108
7,130,654 B2 * 10/2006 Cho 455/550.1
D576,997 S * 9/2008 Furuno et al. D14/149
D577,334 S * 9/2008 Kim et al. D13/108
D587,250 S * 2/2009 Cai D14/227
D599,332 S * 9/2009 Lee D14/229

* cited by examiner

Primary Examiner—Paula Greene

(74) *Attorney, Agent, or Firm*—Mannava & Kang, P.C.

(57) **CLAIM**

The ornamental design for a microphone stand, as shown and described.

DESCRIPTION

FIG. 1 is a perspective view of a microphone stand showing my new design;

FIG. 2 is a front view thereof;

FIG. 3 is a rear view thereof;

FIG. 4 is a left-side view thereof;

FIG. 5 is a right-side view thereof;

FIG. 6 is a plan view thereof;

FIG. 7 is a bottom plan view thereof; and,

FIG. 8 is a perspective view thereof.

The microphones are shown for illustrative purposes only and form no part of the claimed design.

1 Claim, 8 Drawing Sheets

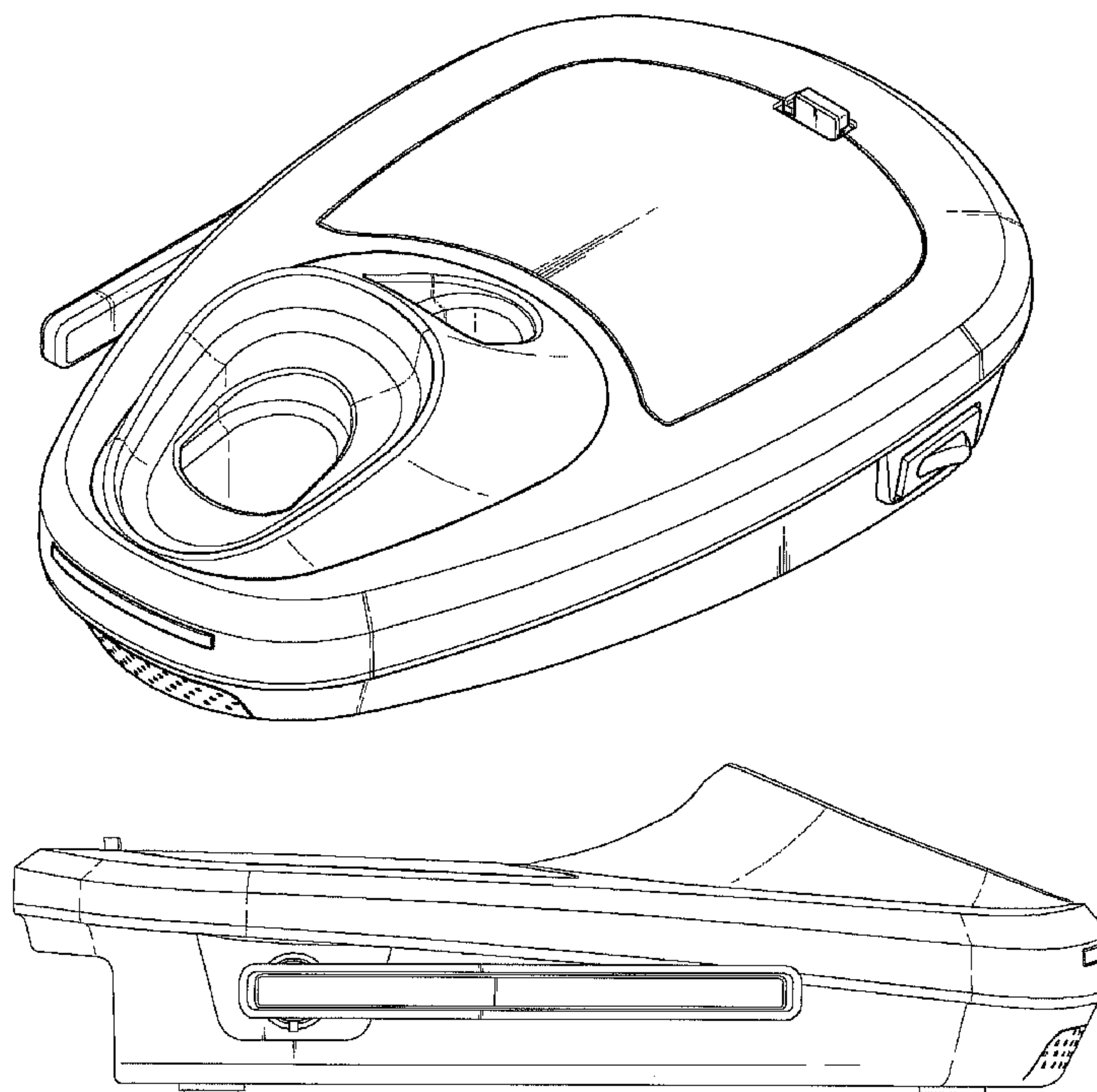


FIG. 1

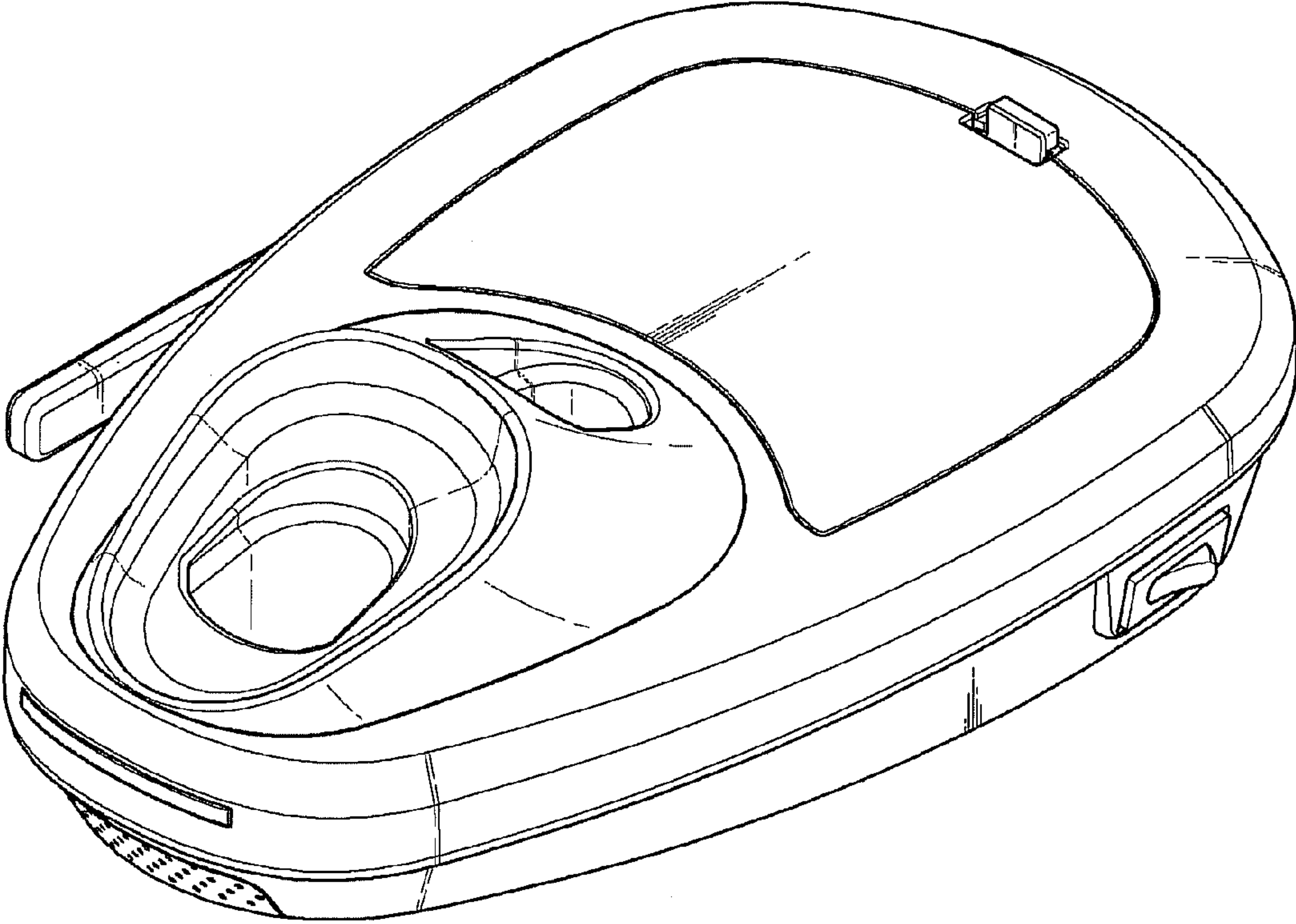


FIG. 2

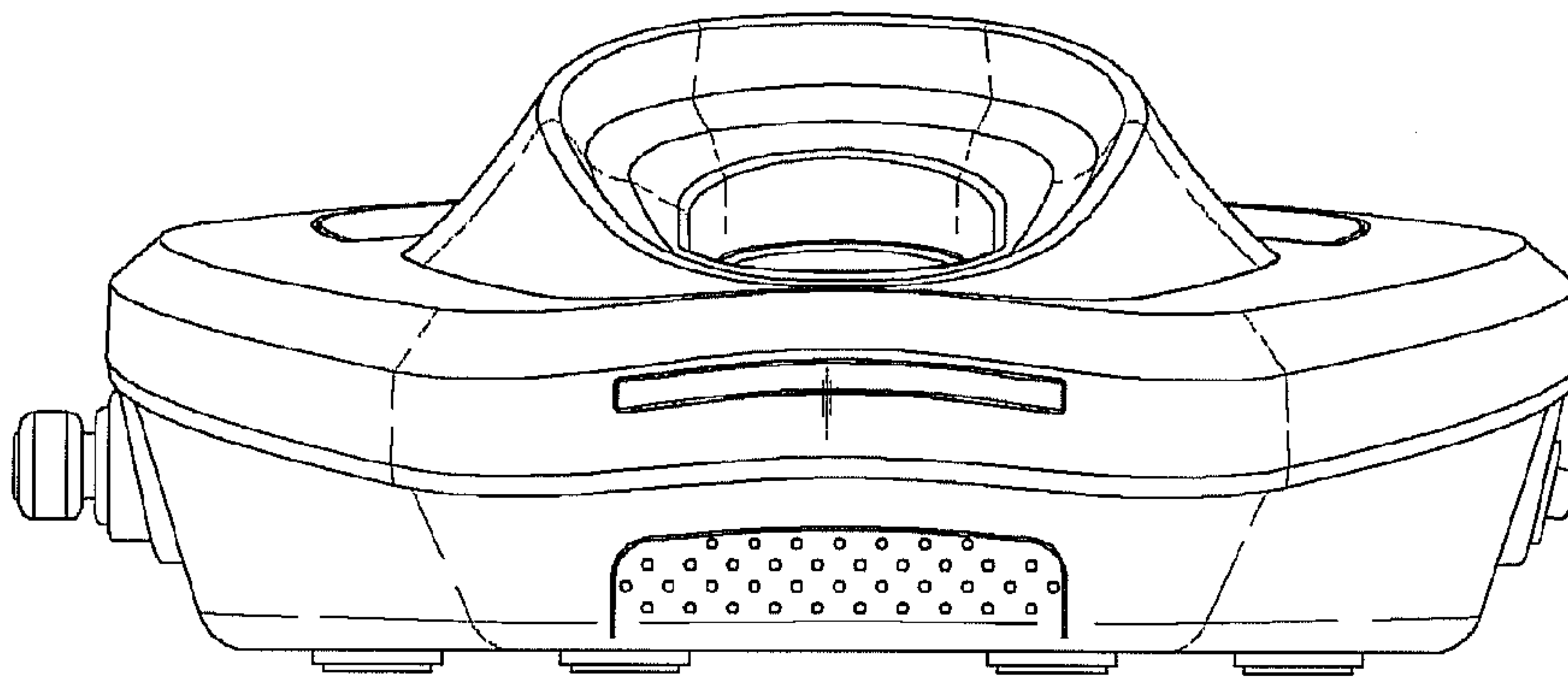


FIG. 3

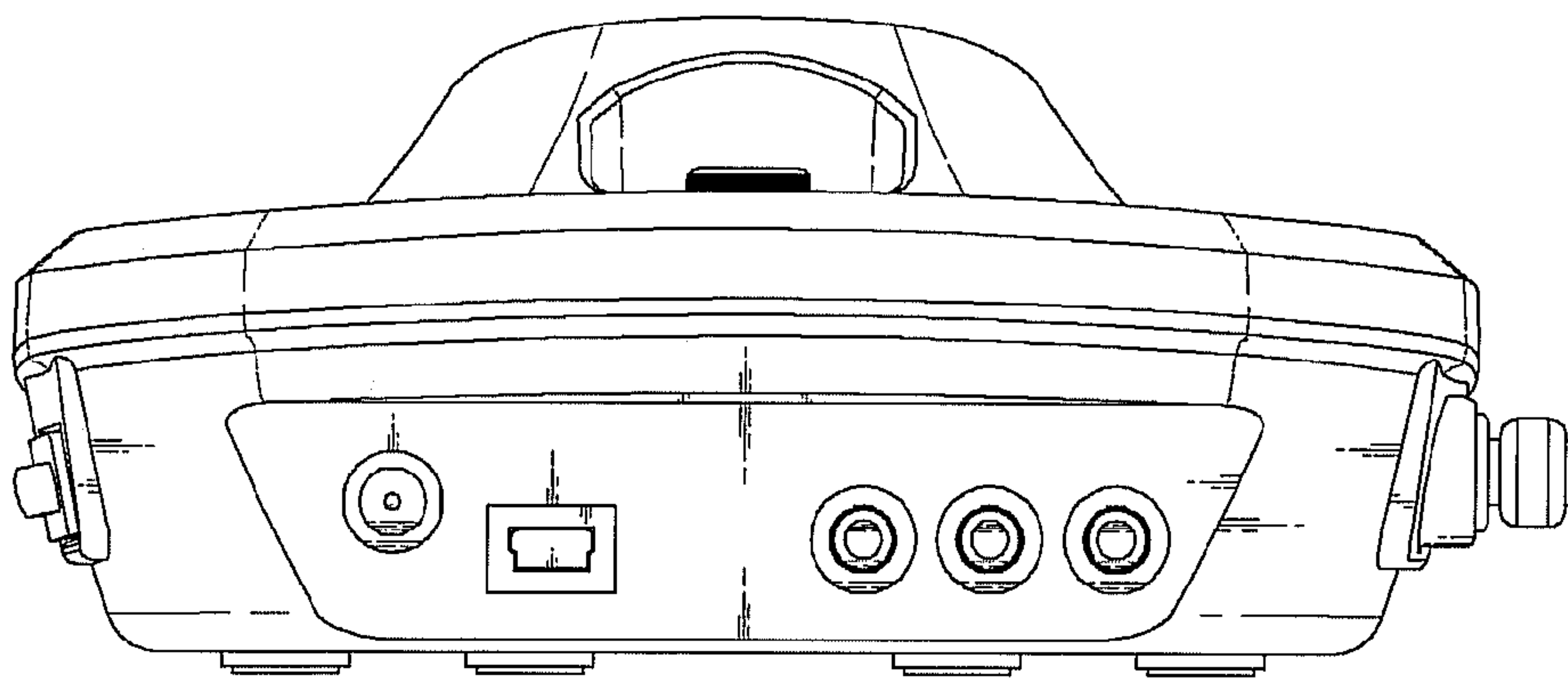


FIG. 4

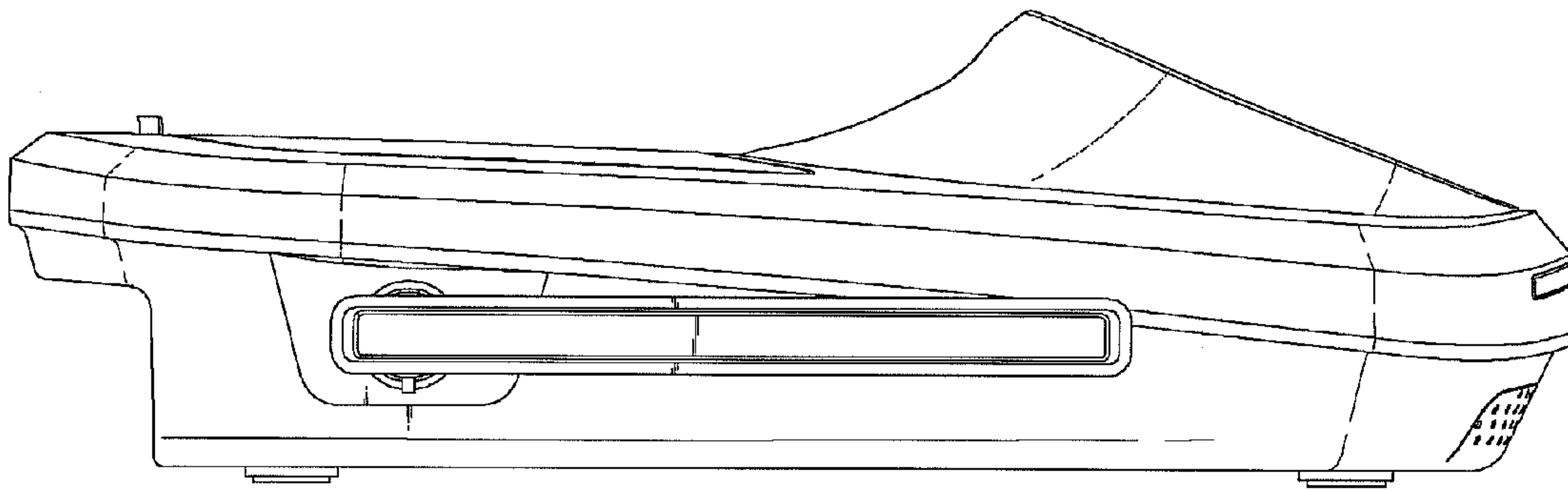


FIG. 5

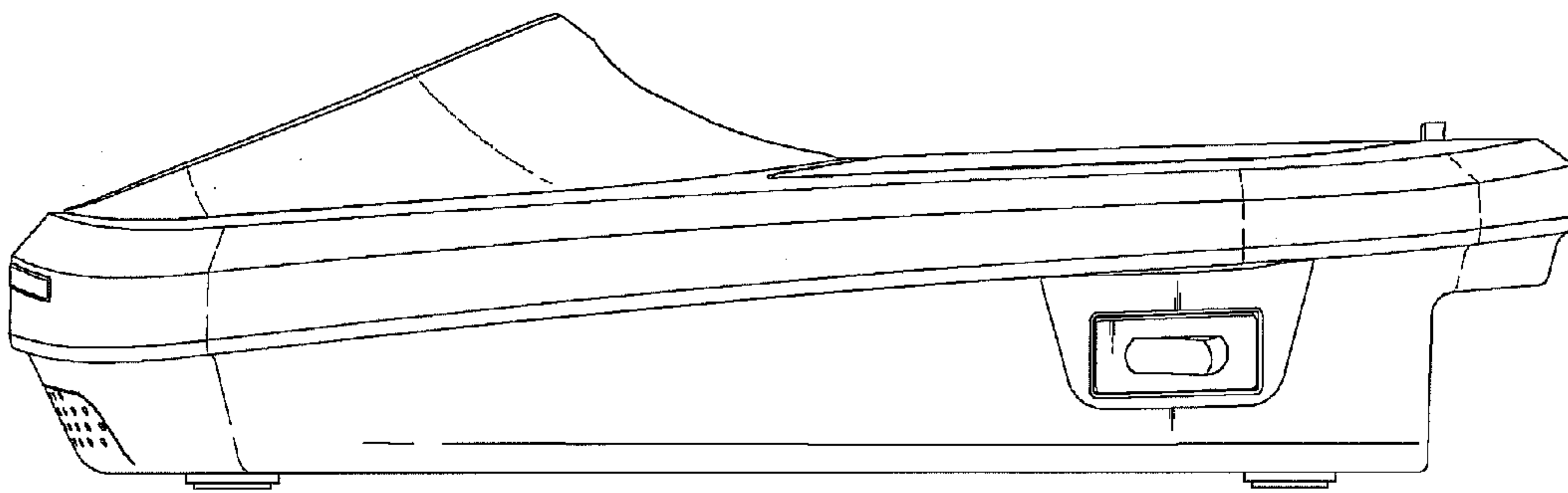


FIG. 6

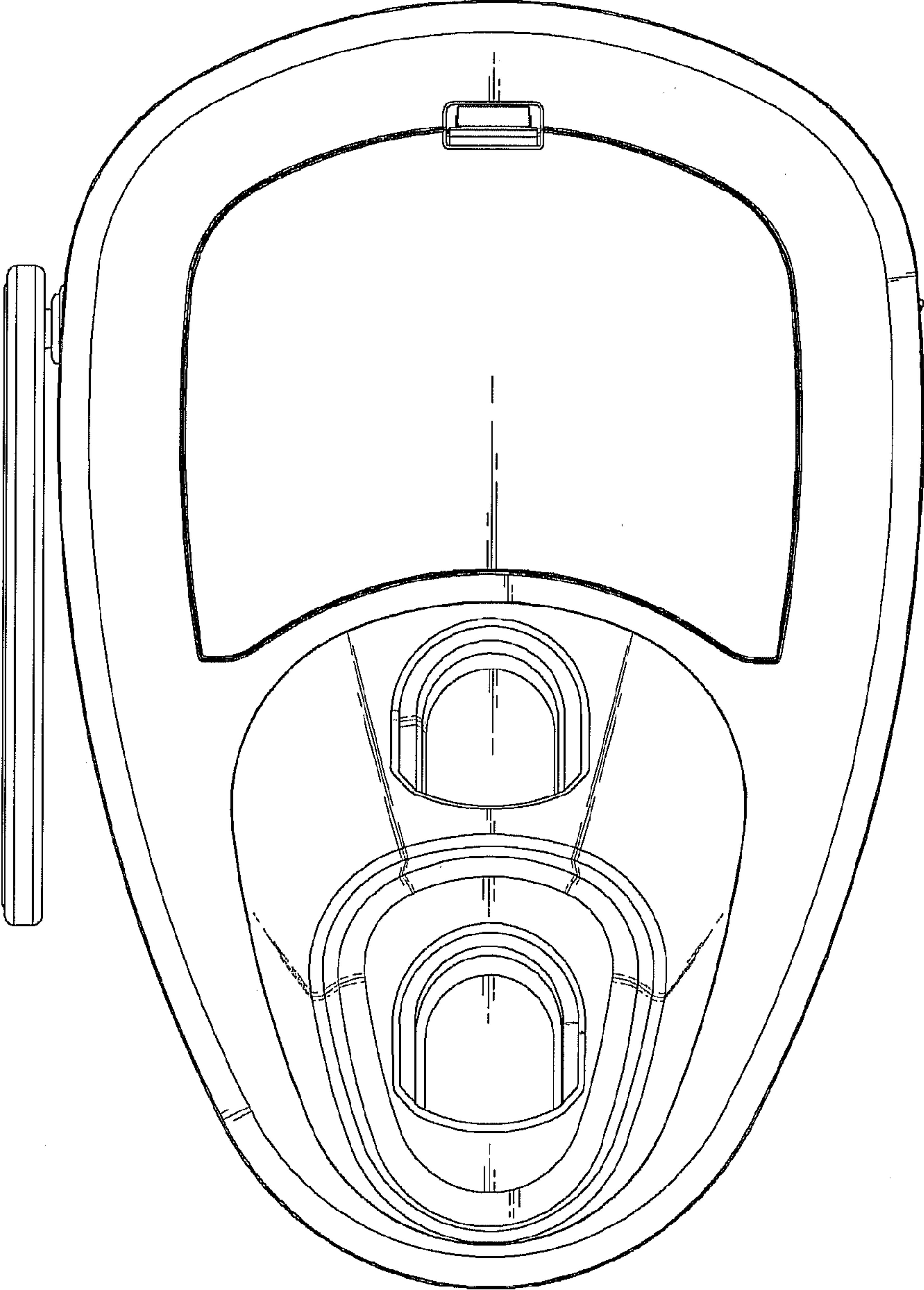


FIG. 7

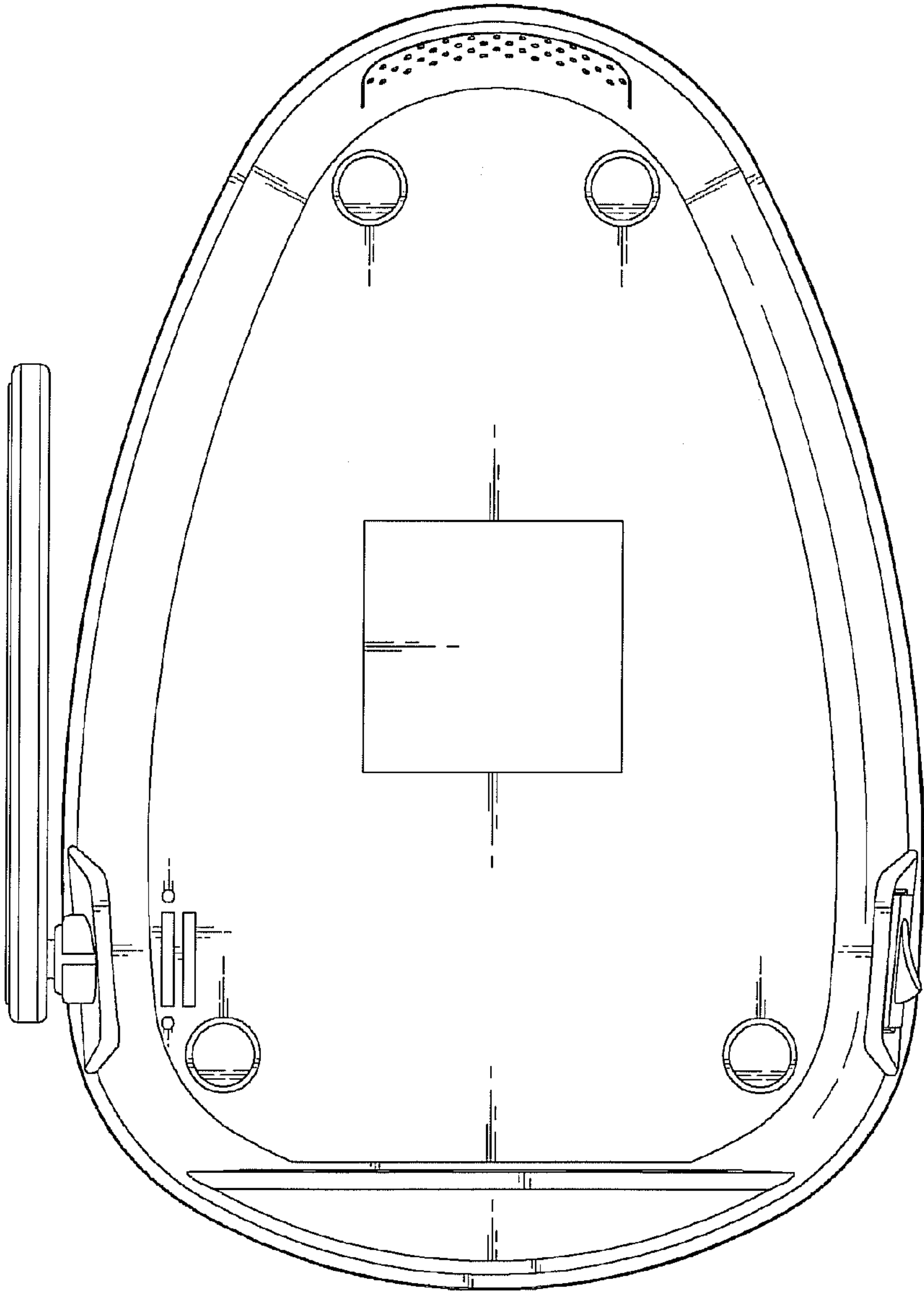


FIG. 8

