



US00D624904S

(12) **United States Design Patent**  
**Lim**

(10) **Patent No.:** **US D624,904 S**

(45) **Date of Patent:** **\*\* Oct. 5, 2010**

(54) **HEADSET**

(75) Inventor: **Kok Keong Lim**, Singapore (SG)

(73) Assignee: **Sony Ericsson Mobile Communications AB**, Lund (SE)

(\*\*) Term: **14 Years**

(21) Appl. No.: **29/341,016**

(22) Filed: **Jul. 29, 2009**

(30) **Foreign Application Priority Data**

Feb. 27, 2009 (EM) ..... 001094684-0001

(51) **LOC (9) Cl.** ..... **14-01**

(52) **U.S. Cl.** ..... **D14/223**

(58) **Field of Classification Search** ..... D14/188,  
D14/192, 205, 206, 223, 138, 138 R, 203.7;  
379/430, 433.01, 433.03; 181/129, 130;  
381/375, 381, 385; 455/90.3, 575.2, 556.1;  
D10/104; D13/168

See application file for complete search history.

(56) **References Cited**

**U.S. PATENT DOCUMENTS**

- 2,477,698 A \* 8/1949 Little ..... 381/322
- D306,853 S \* 3/1990 Mayo et al. .... D13/168
- D385,541 S \* 10/1997 Taylor ..... D13/168
- D450,313 S \* 11/2001 Koinuma ..... D14/218
- D471,898 S \* 3/2003 Bae ..... D14/223
- D479,834 S \* 9/2003 Salazar et al. .... D14/205
- D490,069 S \* 5/2004 Lee ..... D14/188
- D490,070 S \* 5/2004 Lee ..... D14/188
- D494,570 S \* 8/2004 Ma ..... D14/223
- D497,613 S \* 10/2004 Gwee ..... D14/223
- D498,750 S \* 11/2004 Ma ..... D14/223
- D502,171 S \* 2/2005 Tang et al. .... D14/223
- D508,028 S \* 8/2005 Deubler, Jr. .... D14/138 R
- D508,485 S \* 8/2005 Katsumata ..... D14/223

- D509,210 S \* 9/2005 Skulley et al. .... D14/205
- D526,313 S \* 8/2006 Murray ..... D14/223
- D533,540 S \* 12/2006 Murray ..... D14/205
- D538,792 S \* 3/2007 Kim et al. .... D14/223
- D542,267 S \* 5/2007 Cha et al. .... D14/206
- D550,215 S \* 9/2007 Udagawa et al. .... D14/223
- D553,613 S \* 10/2007 Sade et al. .... D14/223
- D555,150 S \* 11/2007 Christopher et al. .... D14/223
- D559,836 S \* 1/2008 Lee ..... D14/223
- D566,103 S \* 4/2008 Sade et al. .... D14/223
- D573,582 S \* 7/2008 Ma ..... D14/205
- D579,924 S \* 11/2008 Sade et al. .... D14/223
- D581,396 S \* 11/2008 Wikel et al. .... D14/206
- D582,897 S \* 12/2008 Christopher et al. .... D14/223
- D592,227 S \* 5/2009 Oh et al. .... D14/496
- D596,165 S \* 7/2009 Henning ..... D14/223
- D598,900 S \* 8/2009 Wikel et al. .... D14/223
- D602,006 S \* 10/2009 Kim et al. .... D14/223
- D603,378 S \* 11/2009 Paradise ..... D14/223

\* cited by examiner

*Primary Examiner*—Paula Greene

(74) *Attorney, Agent, or Firm*—Myers Bigel Sibley & Sajovec

(57) **CLAIM**

The ornamental design for the headset, as shown and described.

**DESCRIPTION**

FIG. 1 is a front perspective view of a headset according to my design;

FIG. 2 is a back view thereof;

FIG. 3 is a front view thereof;

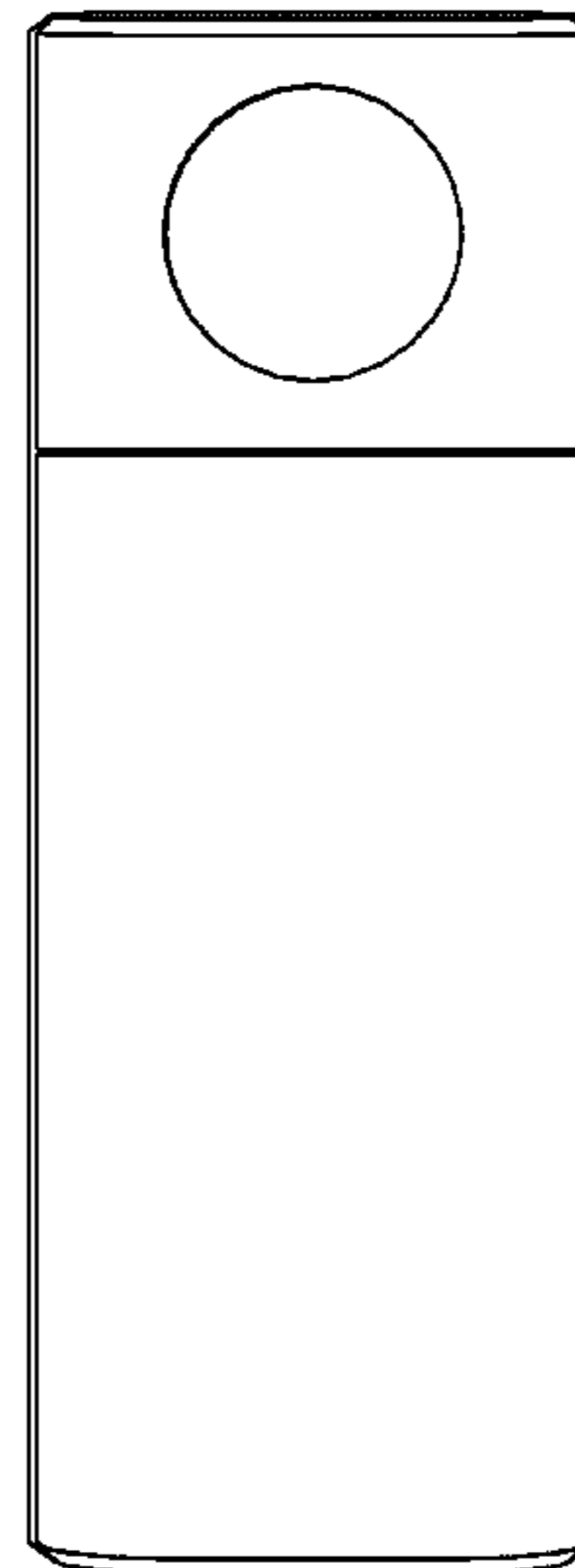
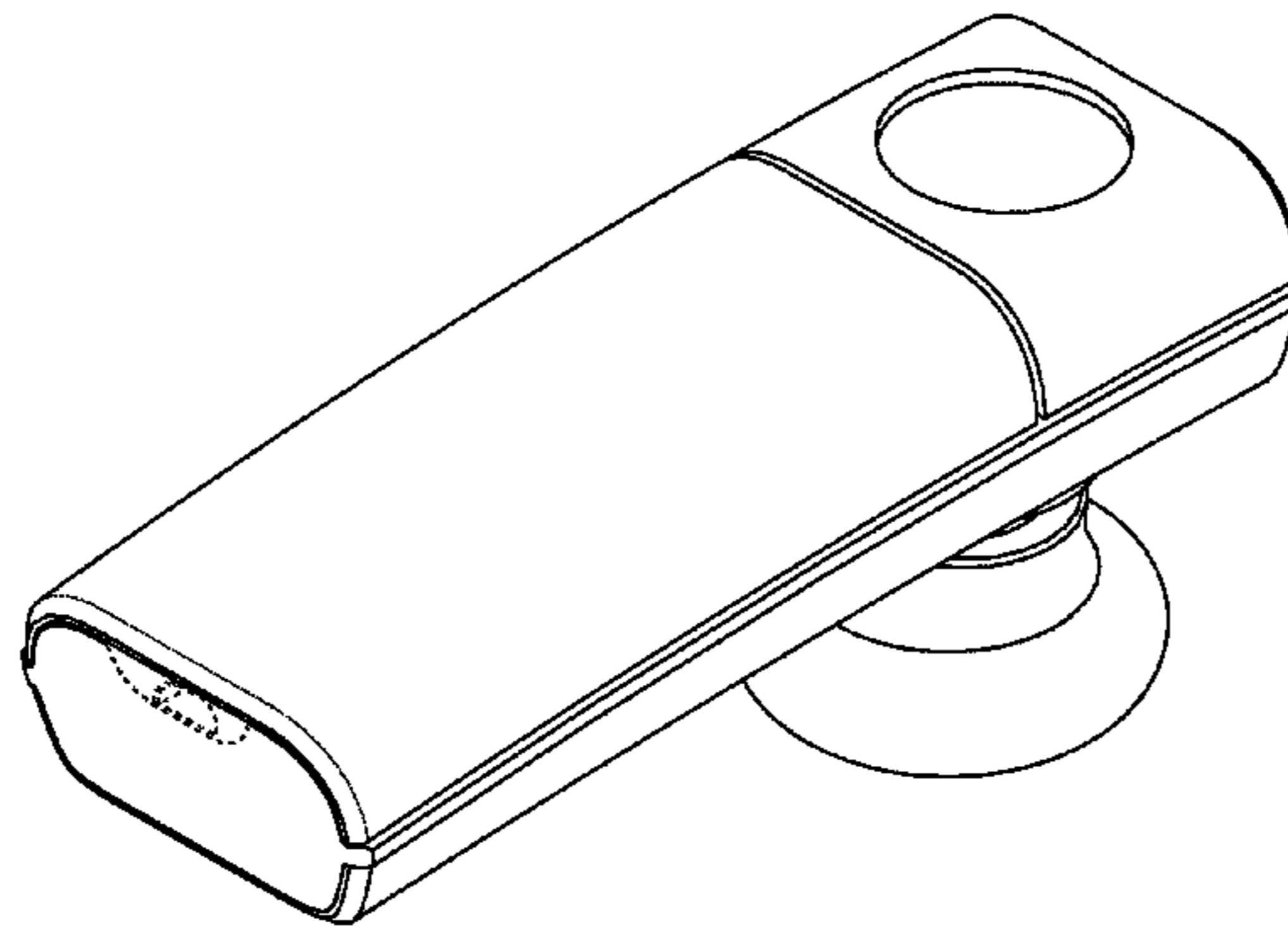
FIG. 4 is a side view thereof;

FIG. 5 is an opposing side view thereof;

FIG. 6 is a top view thereof; and,

FIG. 7 is a bottom view thereof.

**1 Claim, 4 Drawing Sheets**



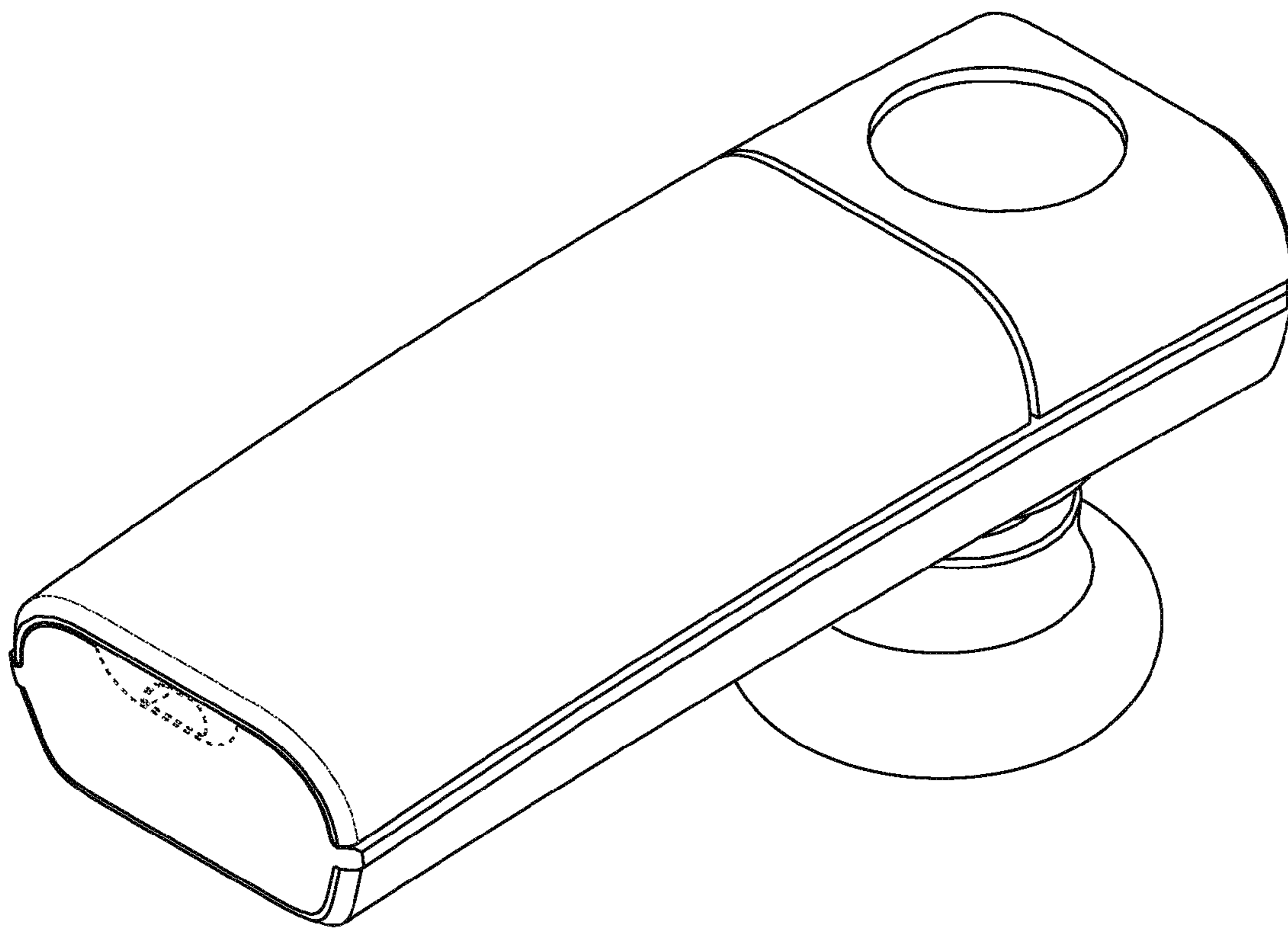


FIG. 1

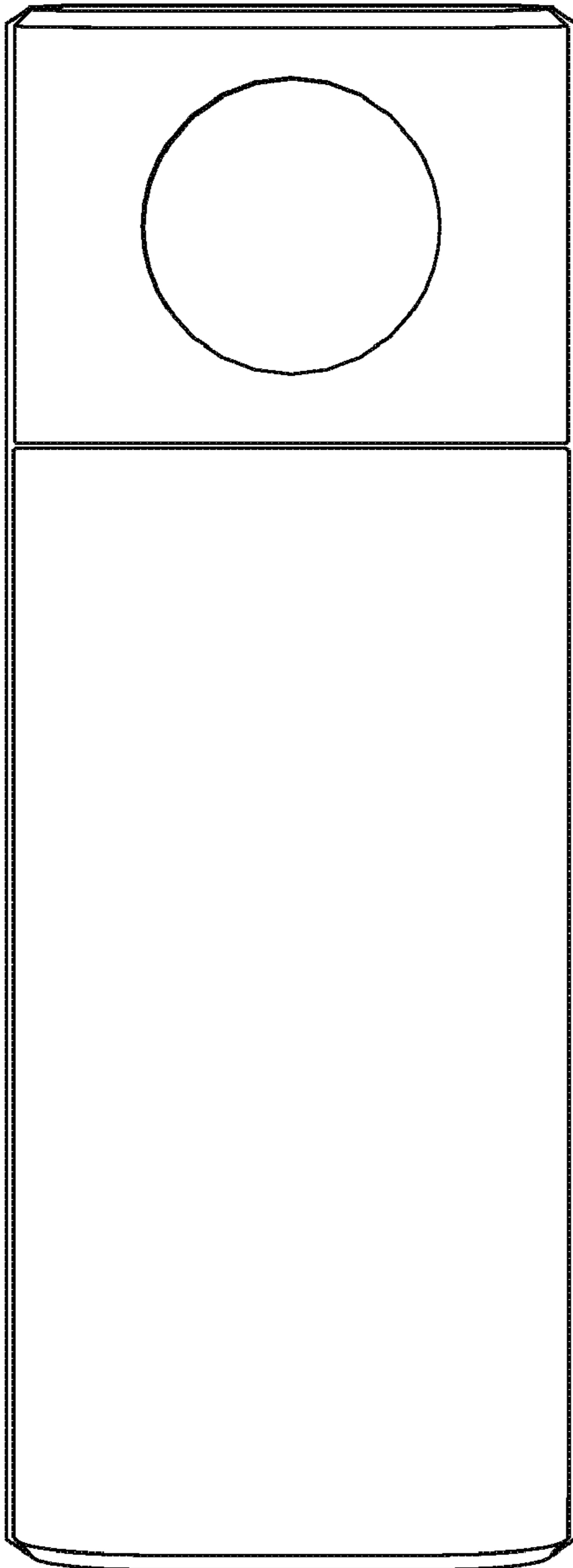


FIG. 2

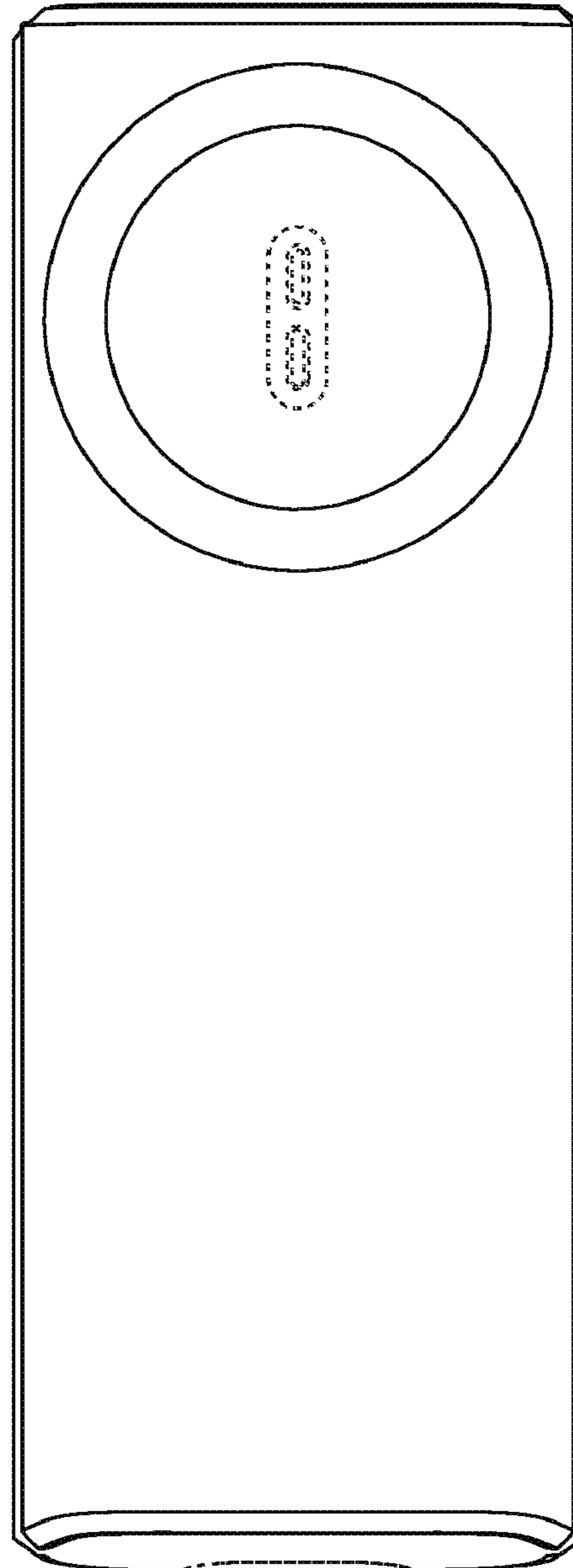


FIG. 3

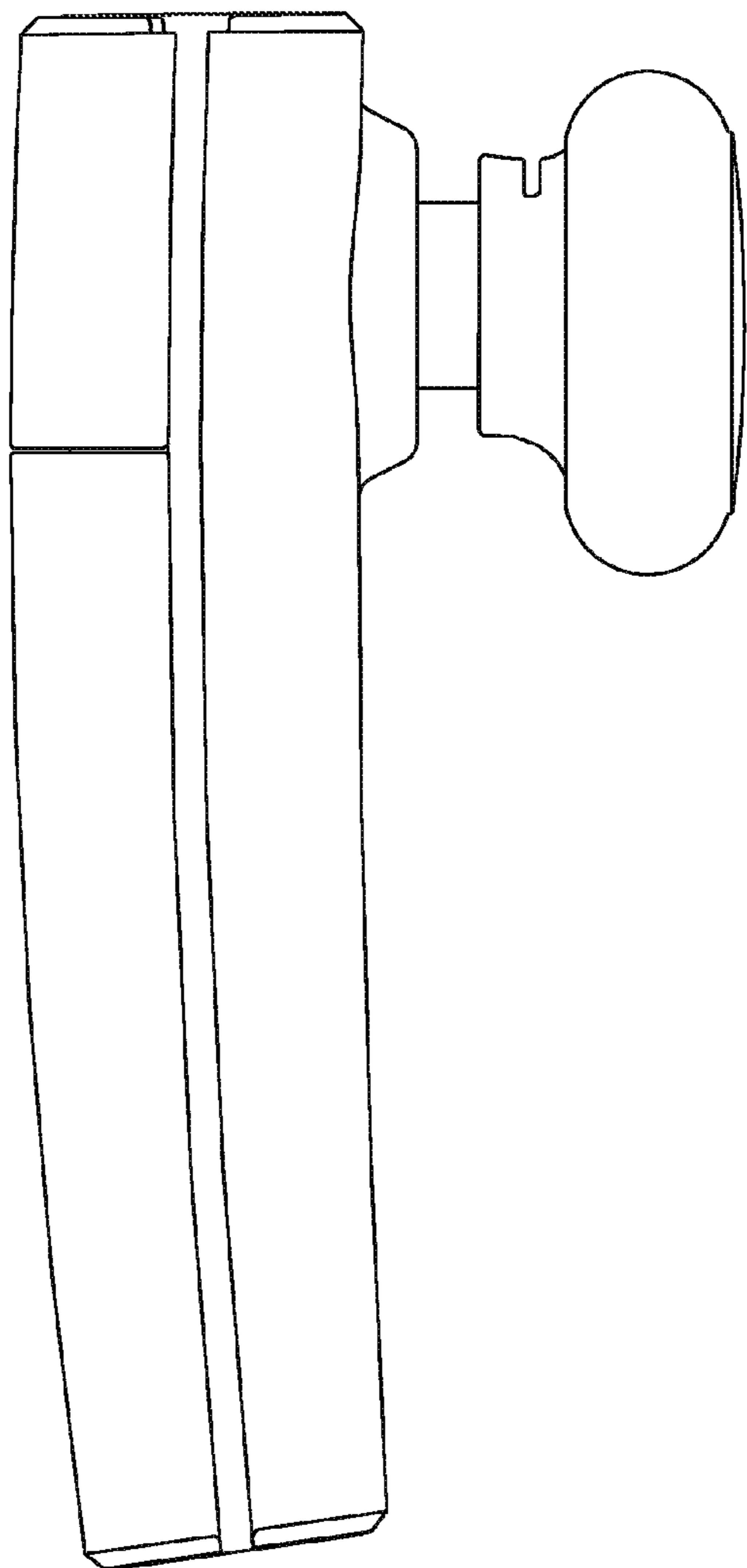


FIG. 4

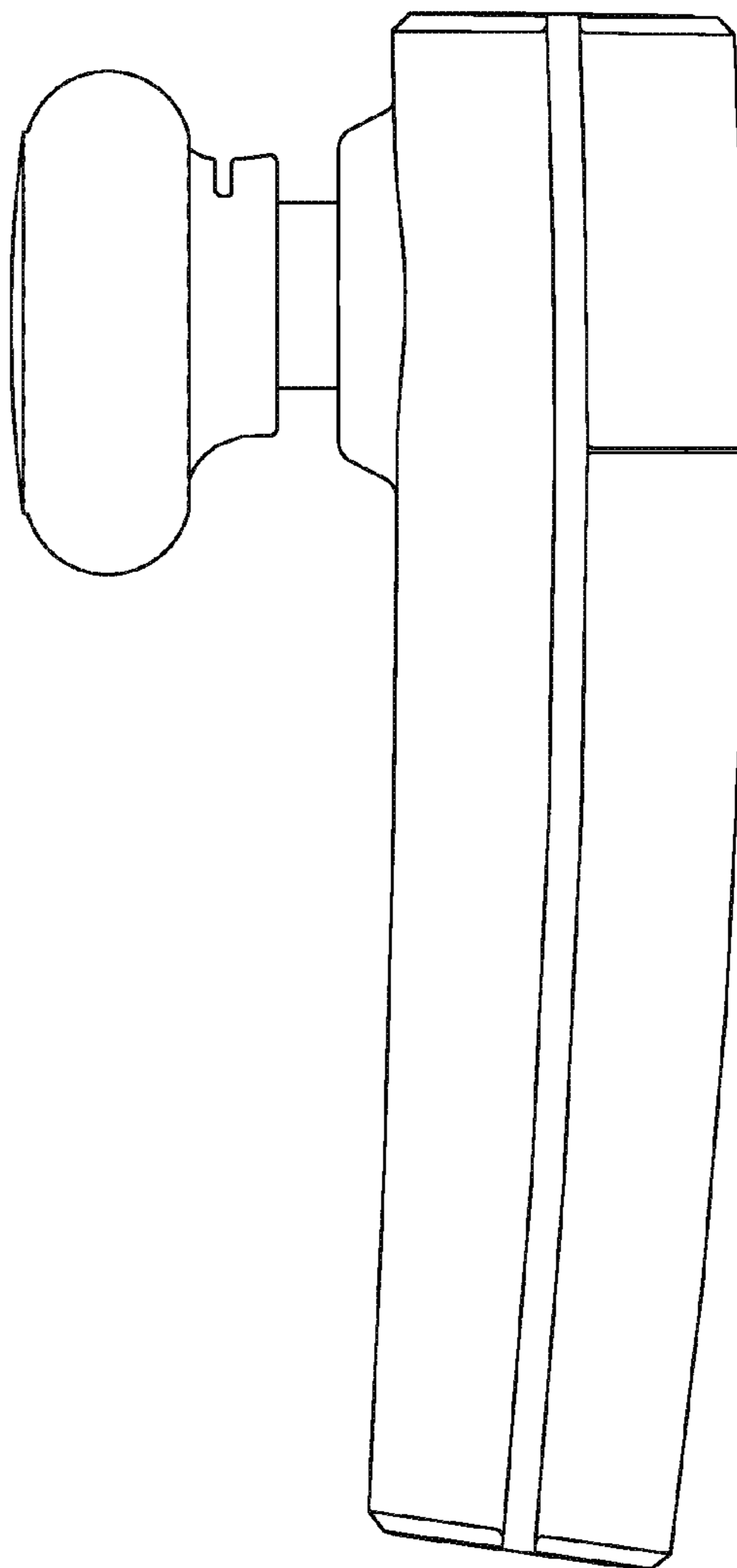
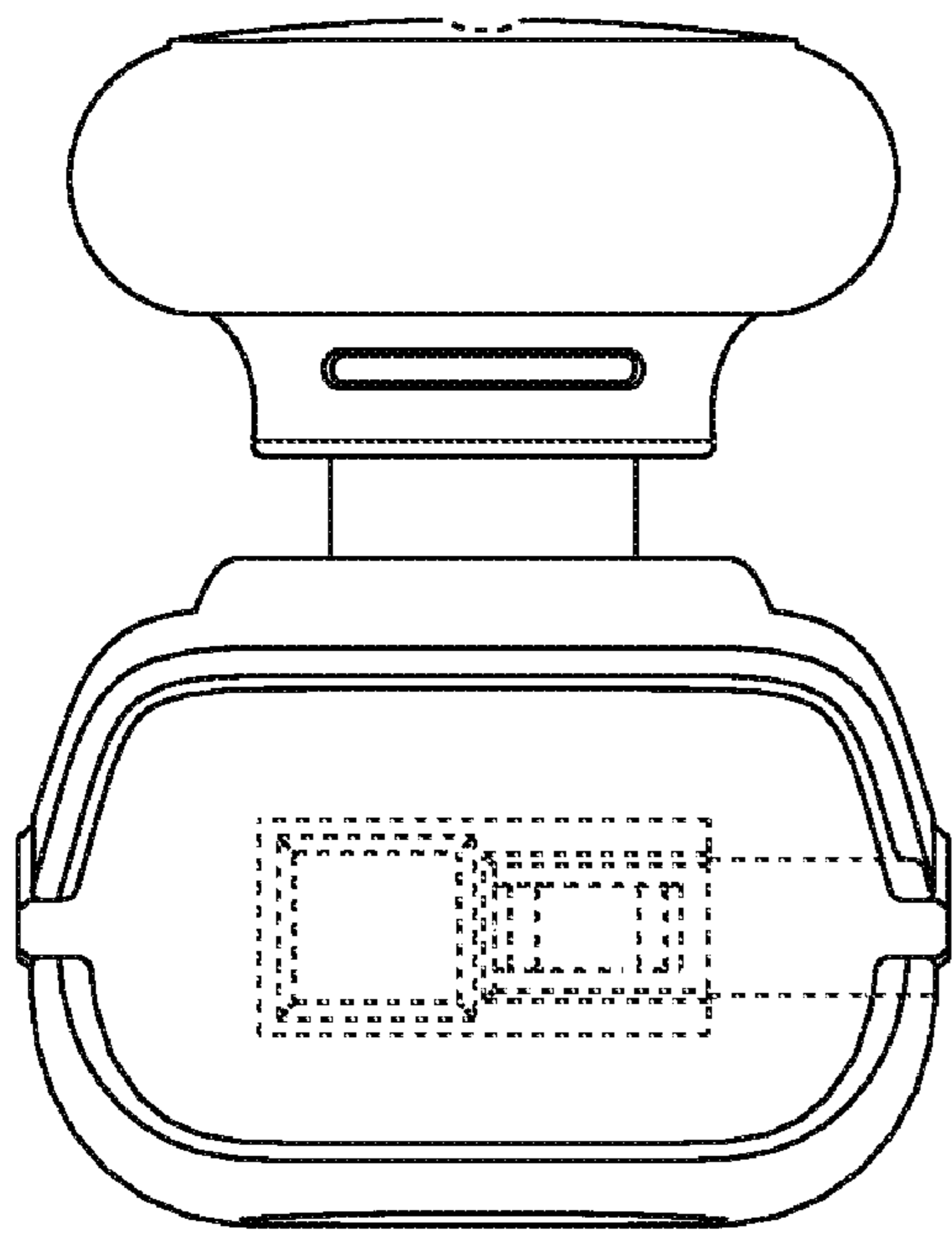
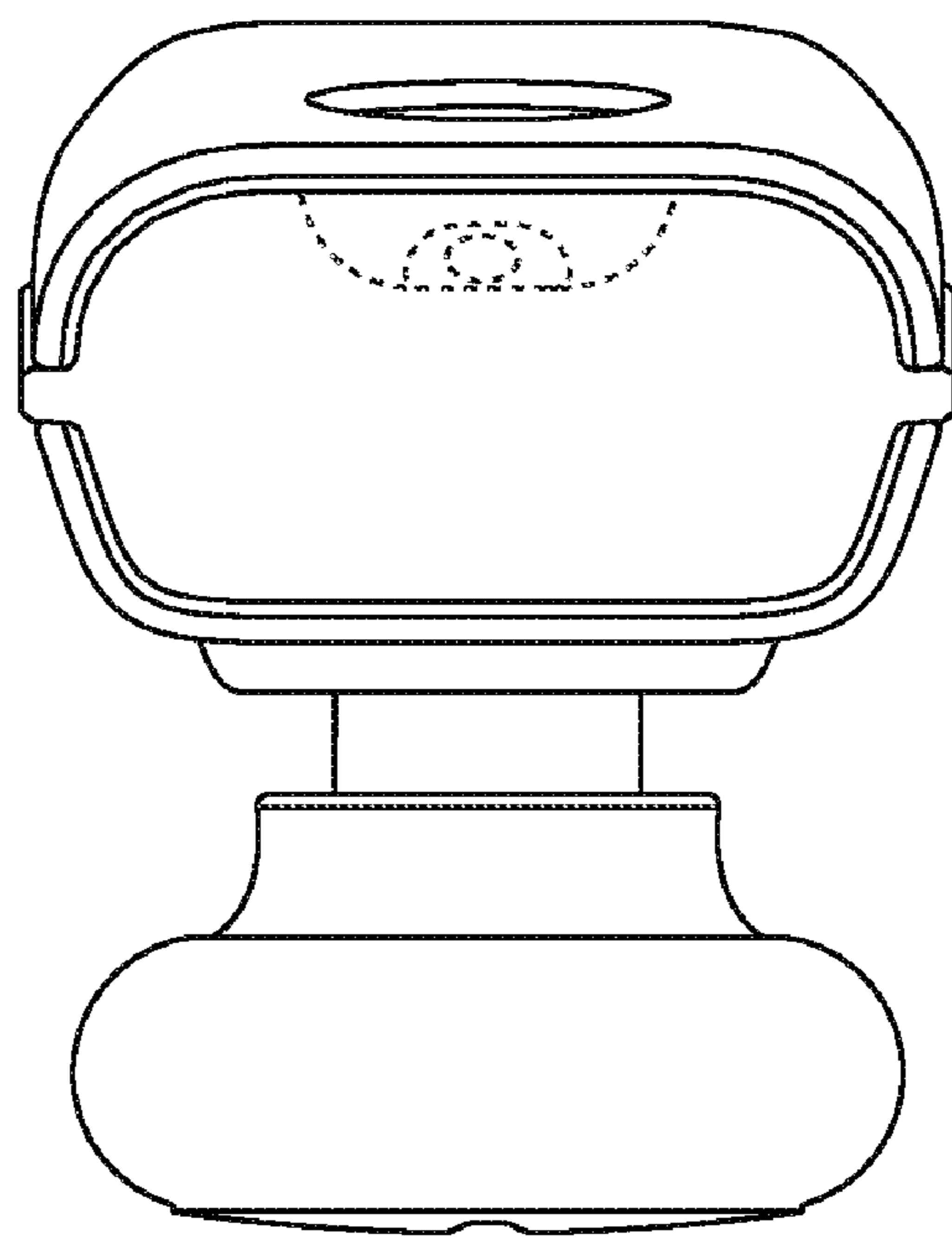


FIG. 5



**FIG. 6**



**FIG. 7**