



US00D624903S

(12) **United States Design Patent**
Wlotzka

(10) **Patent No.:** **US D624,903 S**

(45) **Date of Patent:** **** Oct. 5, 2010**

(54) **REMOTE CONTROL**

(75) Inventor: **Paul Wlotzka**, Nuertingen (DE)

(73) Assignee: **Harman Becker Automotive Systems GmbH**, Karlsbad (DE)

(**) Term: **14 Years**

(21) Appl. No.: **29/306,288**

(22) Filed: **Apr. 4, 2008**

(51) **LOC (9) Cl.** **14-03**

(52) **U.S. Cl.** **D14/218**

(58) **Field of Classification Search** D14/218,
D14/455; D13/168; D21/566; D10/104,
D10/106; 345/169; 348/14.05, 114, 211.99,
348/734; 340/825.24; 341/22; 455/92, 95,
455/128, 151.1–151.4, 352, 355, FOR. 121;
700/65

See application file for complete search history.

(56) **References Cited**

U.S. PATENT DOCUMENTS

D413,600 S	*	9/1999	Cheng et al.	D14/218
D415,115 S	*	10/1999	Kawashima	D13/168
D425,899 S	*	5/2000	Dent	D14/218
D498,748 S	*	11/2004	Borsboom	D14/218
D510,208 S	*	10/2005	Klimas	D6/466
D527,375 S	*	8/2006	Flora et al.	D14/218
D529,440 S	*	10/2006	Lodato et al.	D13/108
D563,948 S	*	3/2008	d'Hoore	D14/218
D585,877 S	*	2/2009	Knight	D14/218
D604,271 S	*	11/2009	Lewis et al.	D14/218

D605,634 S * 12/2009 Lewis et al. D14/218

* cited by examiner

Primary Examiner—T. Chase Nelson

Assistant Examiner—John Windmuller

(74) *Attorney, Agent, or Firm*—Plumsea Law Group, LLC

(57) **CLAIM**

The ornamental design for a remote control, as shown and described.

DESCRIPTION

FIG. 1 is a perspective view of a remote control showing my new design;

FIG. 2 is a front plan view thereof;

FIG. 3 is a rear plan view thereof;

FIG. 4 is a side elevational view of one side thereof;

FIG. 5 is a side elevational view of the opposite side thereof;

FIG. 6 is a top elevational view thereof;

FIG. 7 is a bottom elevational view thereof;

FIG. 8 is a perspective view of another embodiment of the remote control showing my new design;

FIG. 9 is a front plan view thereof;

FIG. 10 is a rear plan view thereof;

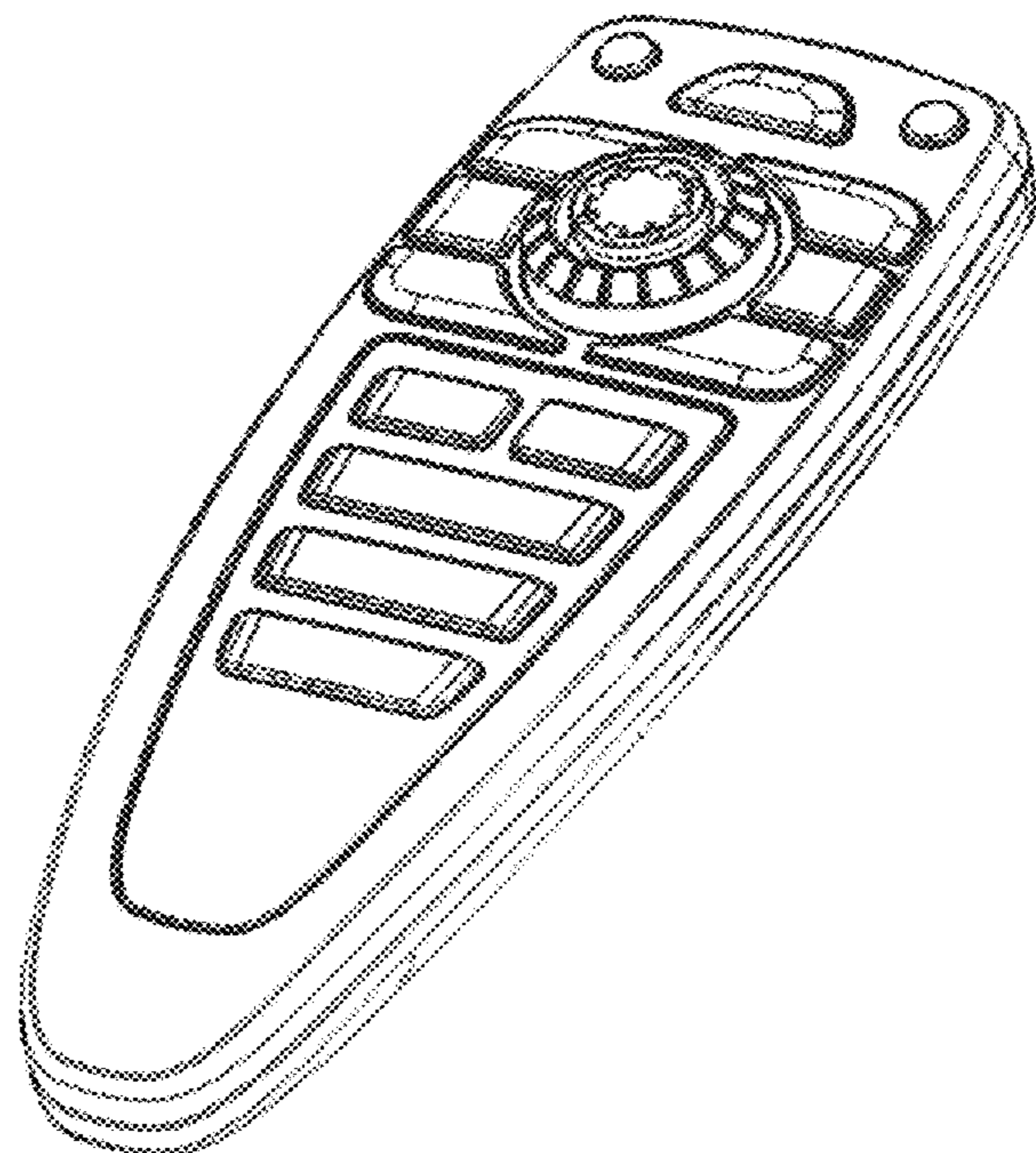
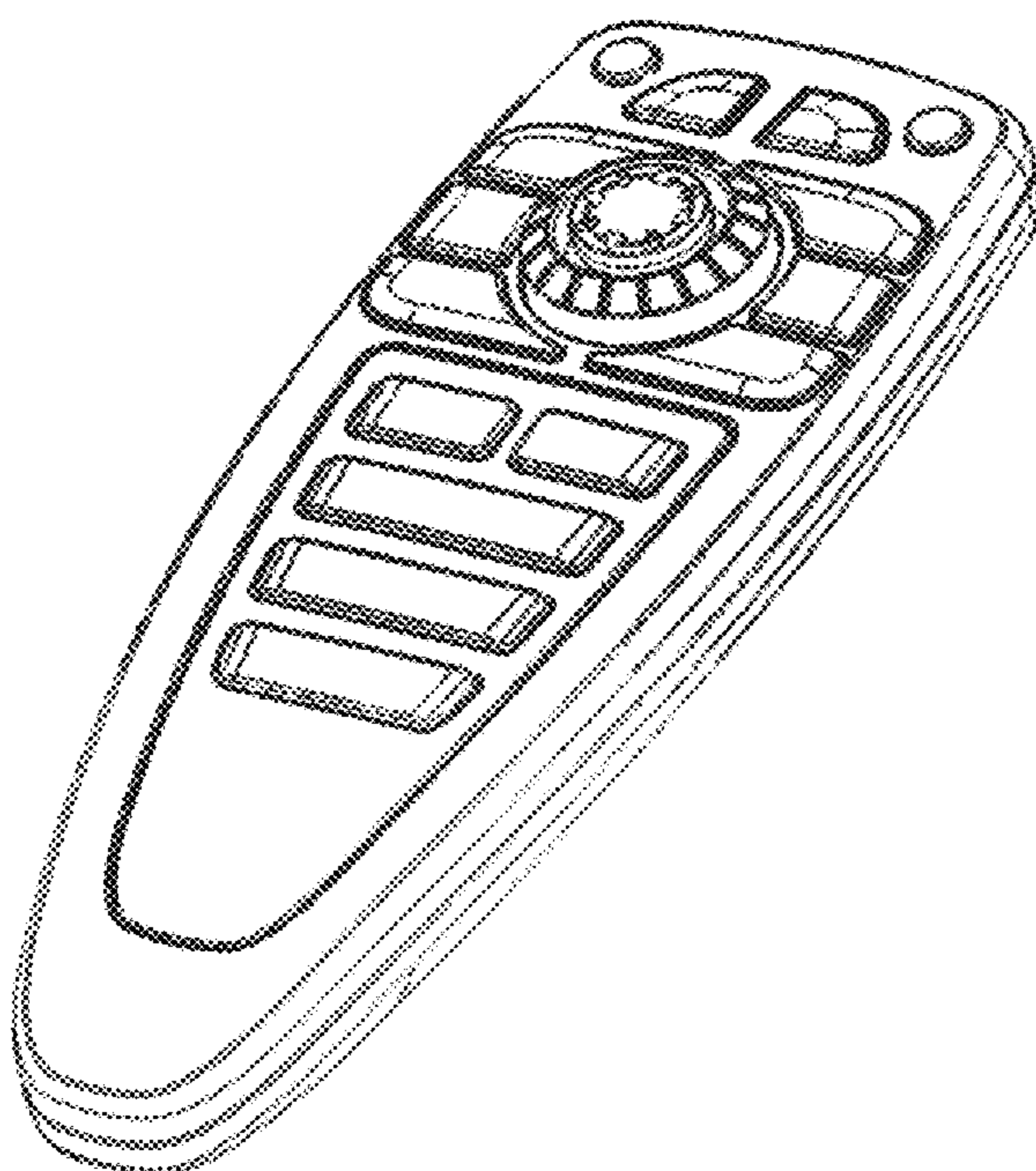
FIG. 11 is a side elevational view of one side thereof;

FIG. 12 is a side elevational view of the opposite side thereof;

FIG. 13 is a top elevational view thereof; and,

FIG. 14 is a bottom elevational view thereof.

1 Claim, 8 Drawing Sheets



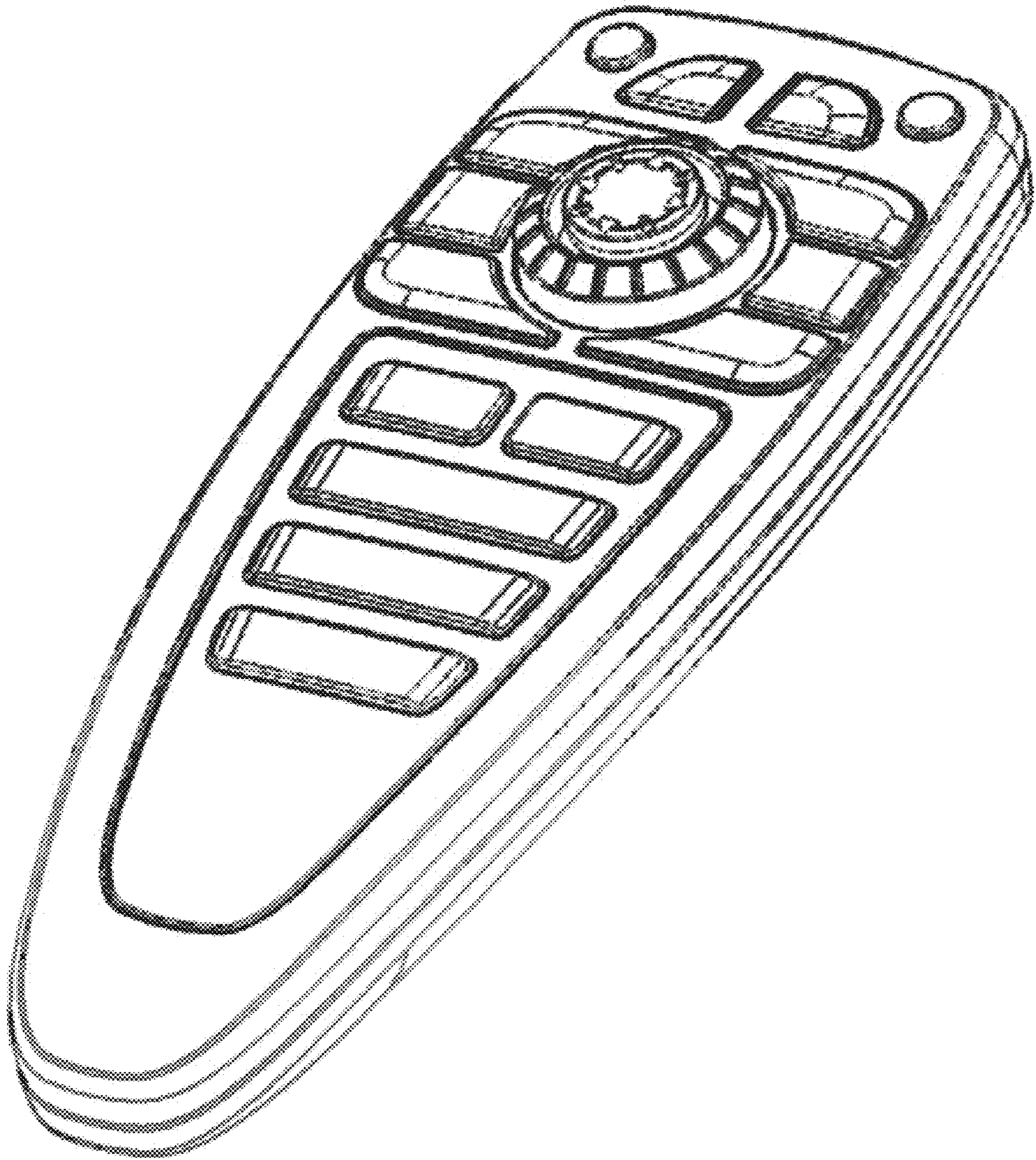


FIG. 1

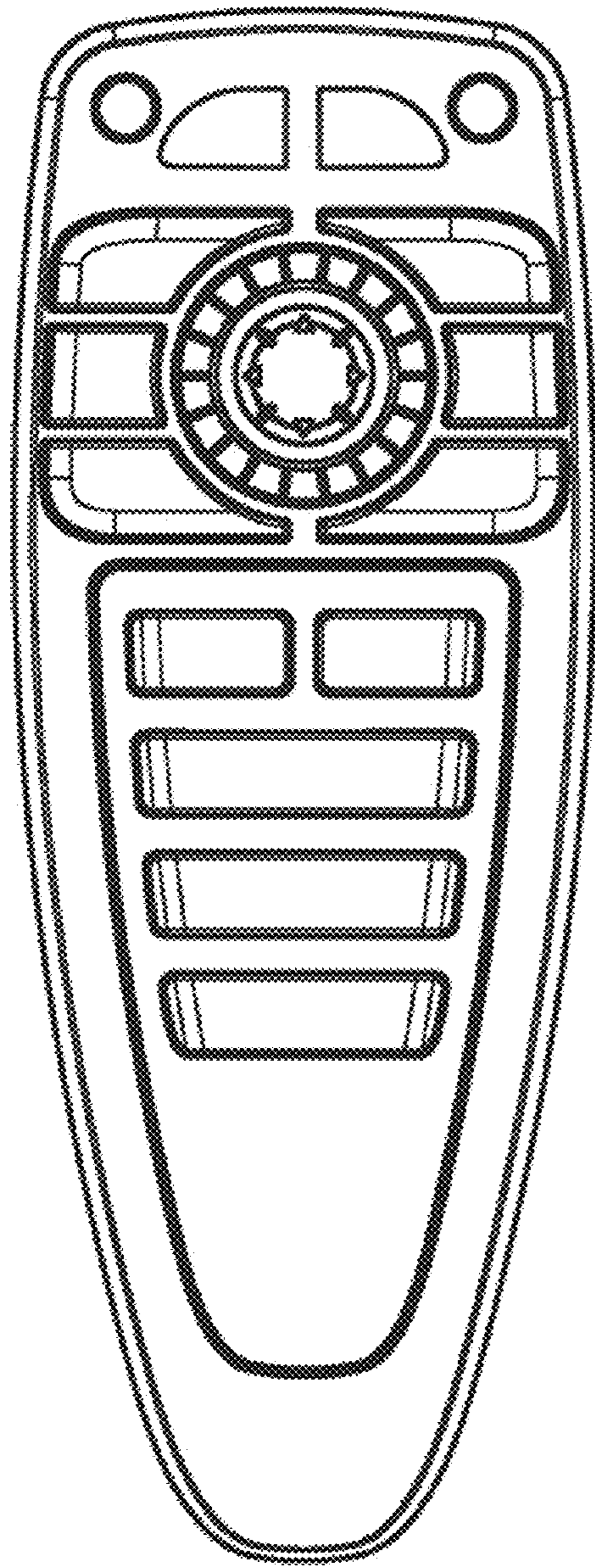


FIG. 2

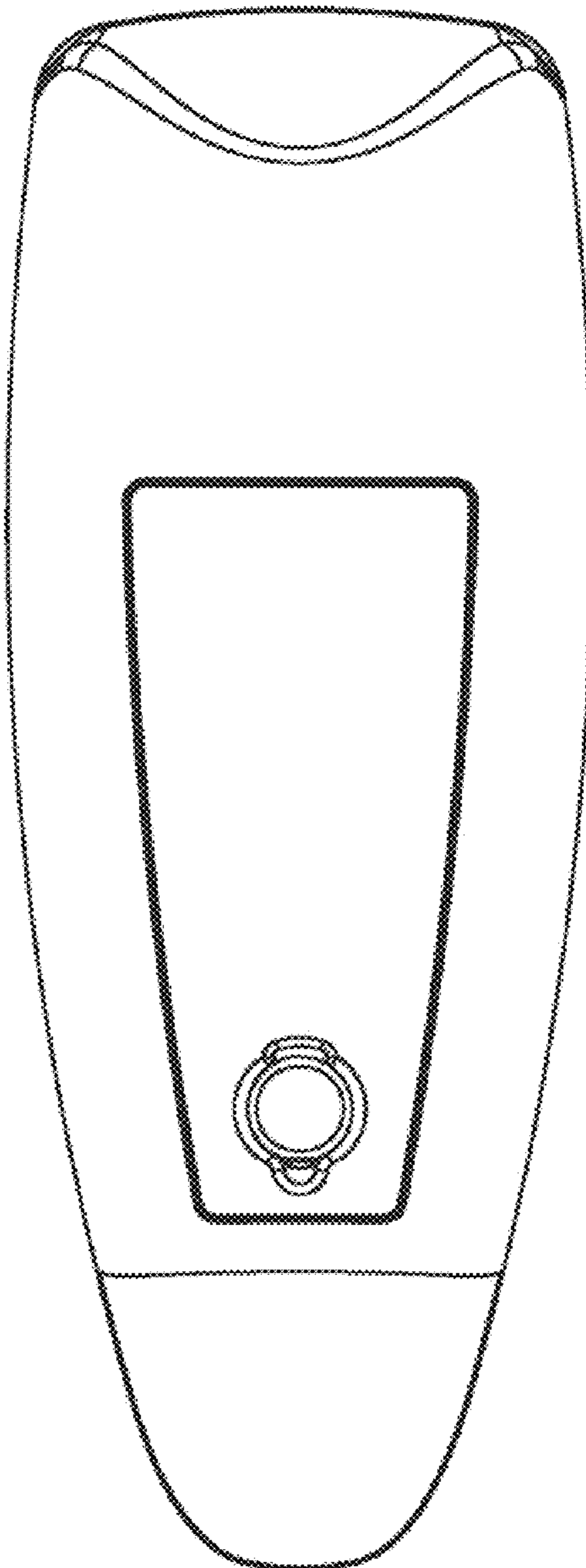


FIG. 3



FIG. 4



FIG. 5

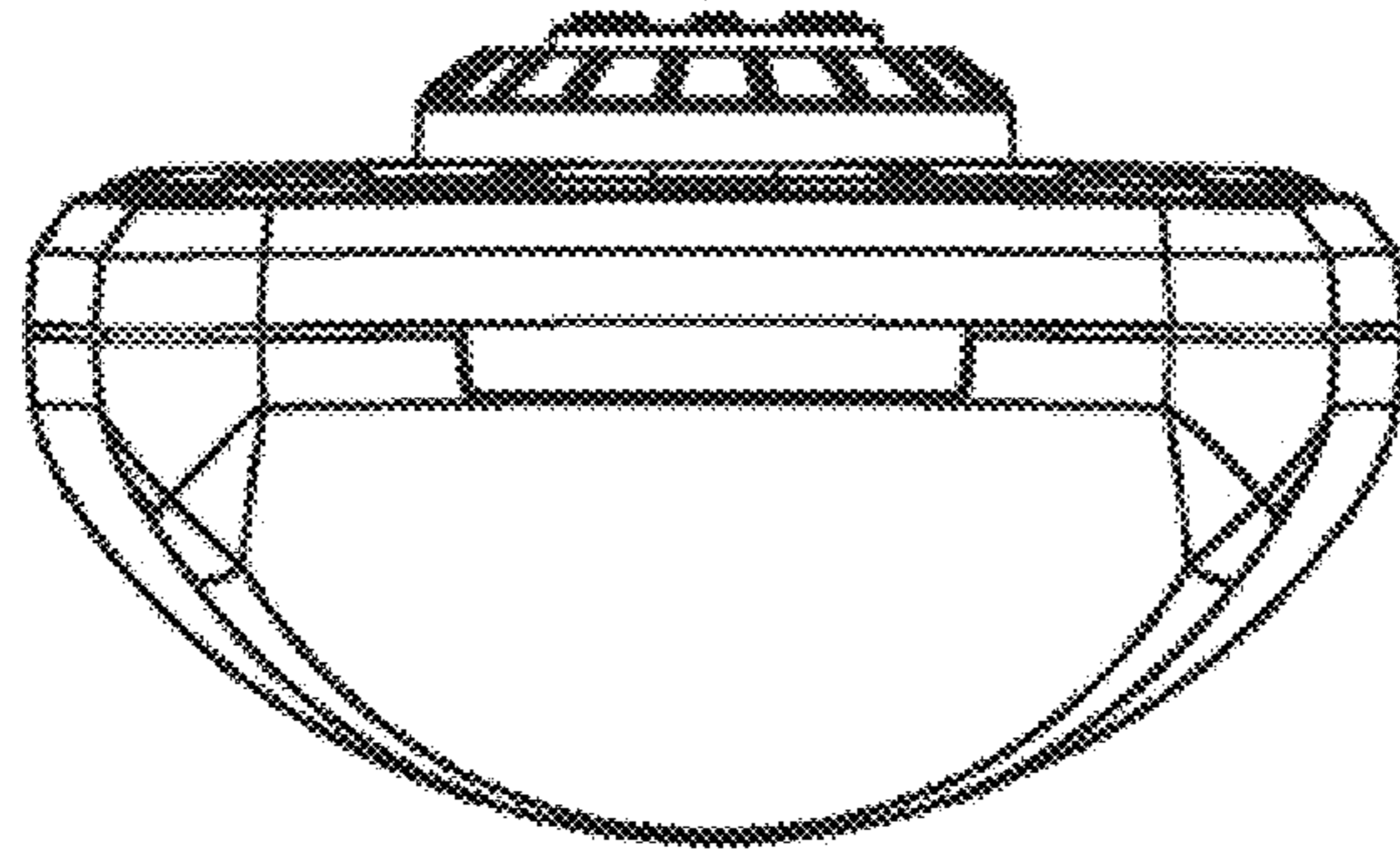


FIG. 6

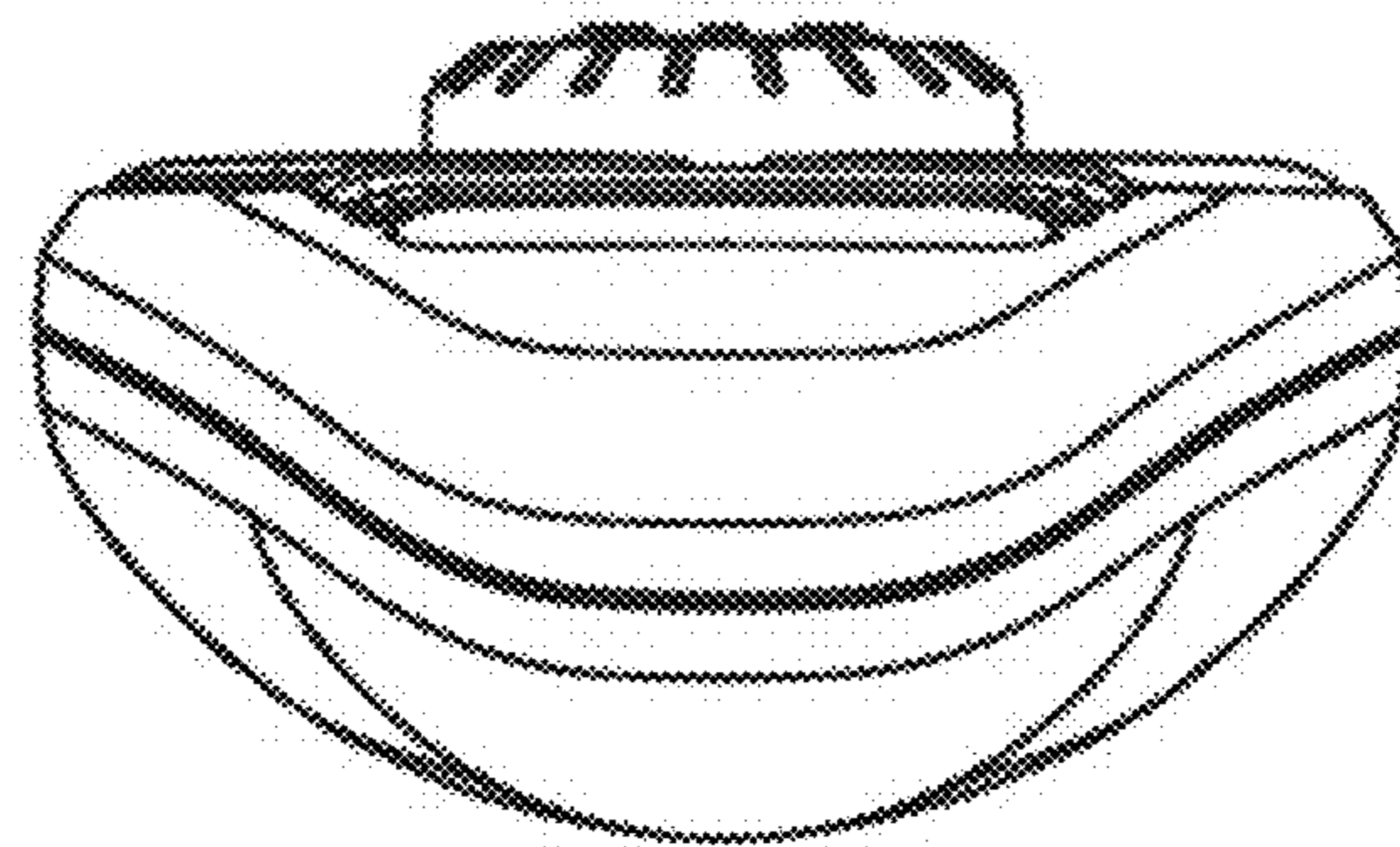


FIG. 7

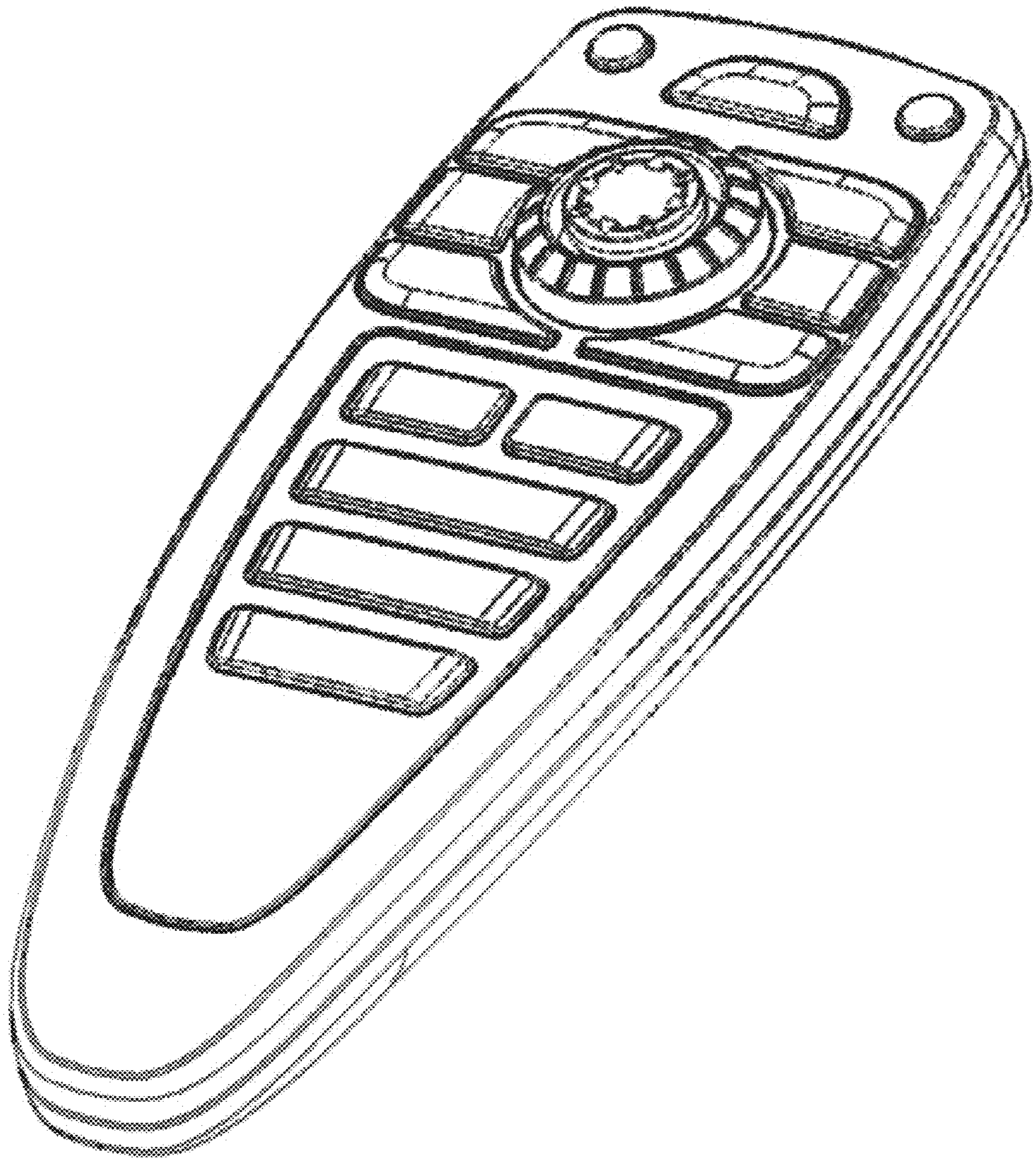


FIG. 8

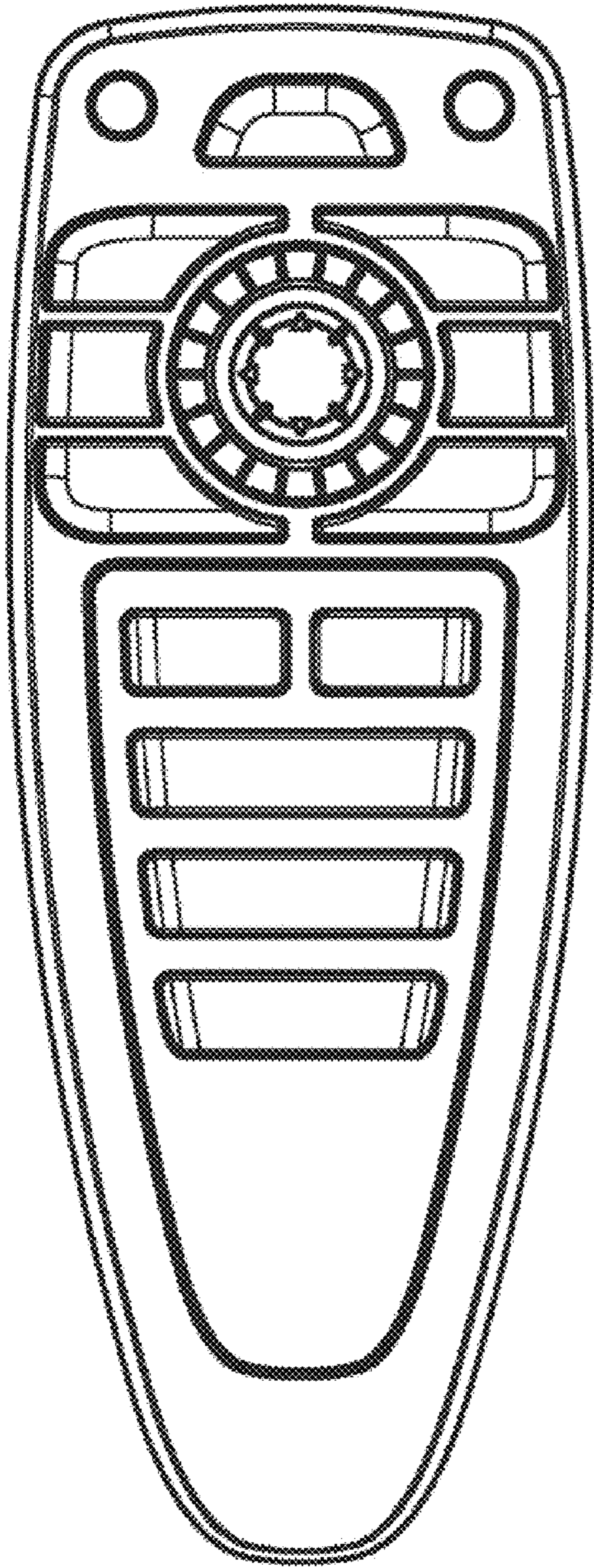


FIG. 9

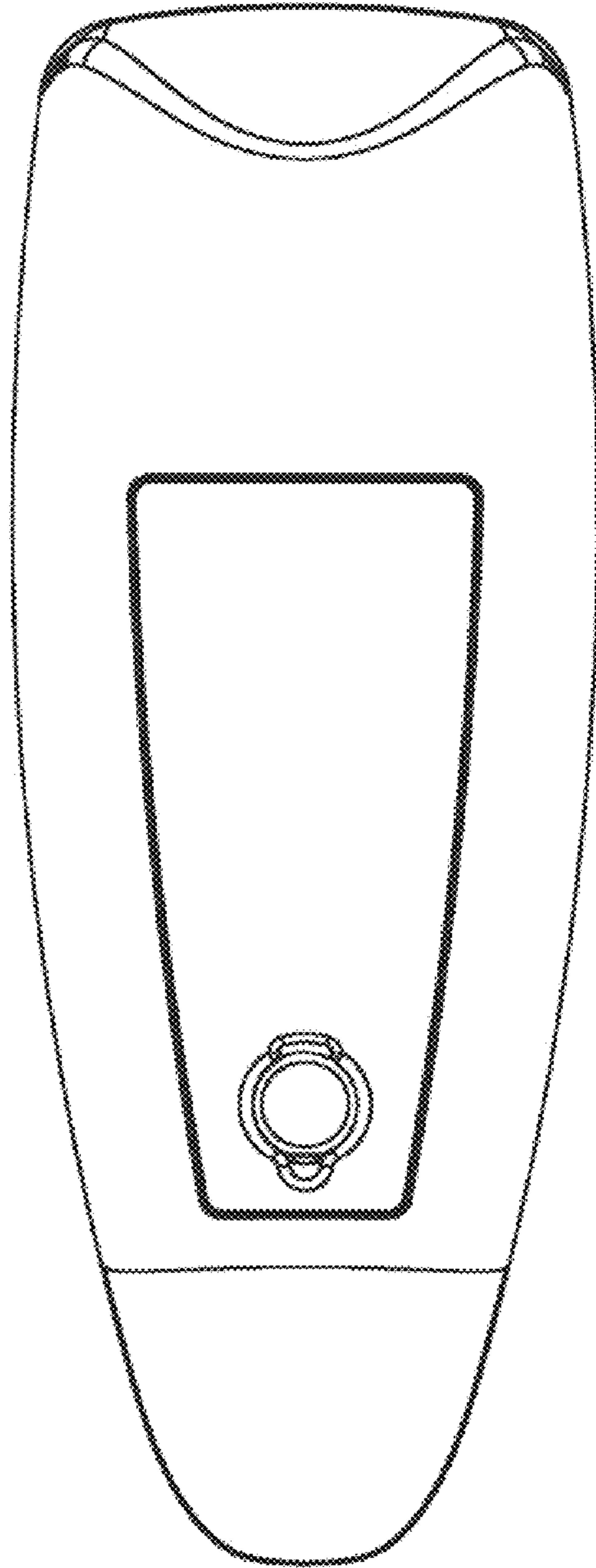


FIG. 10



FIG. 11



FIG. 12

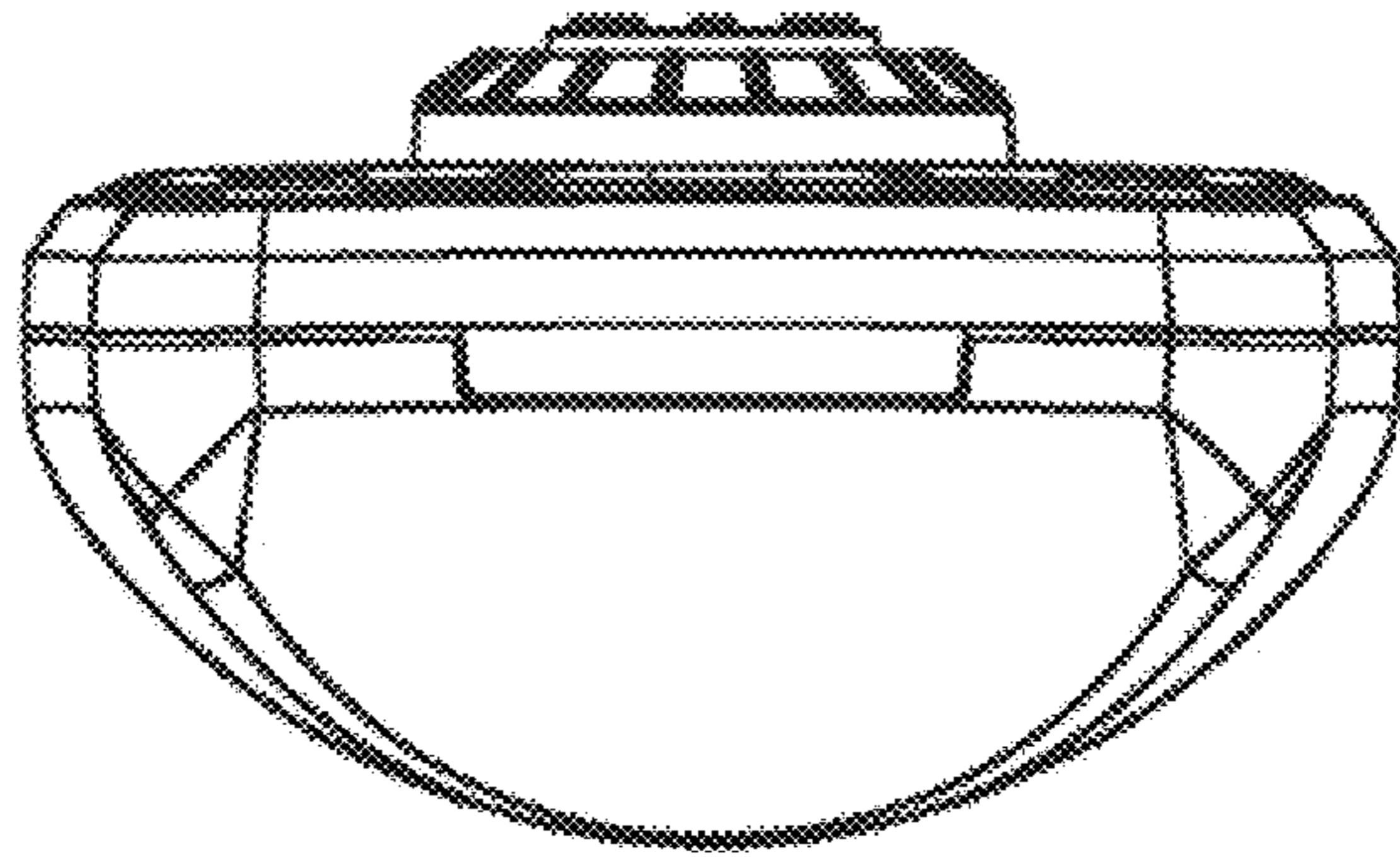


FIG. 13

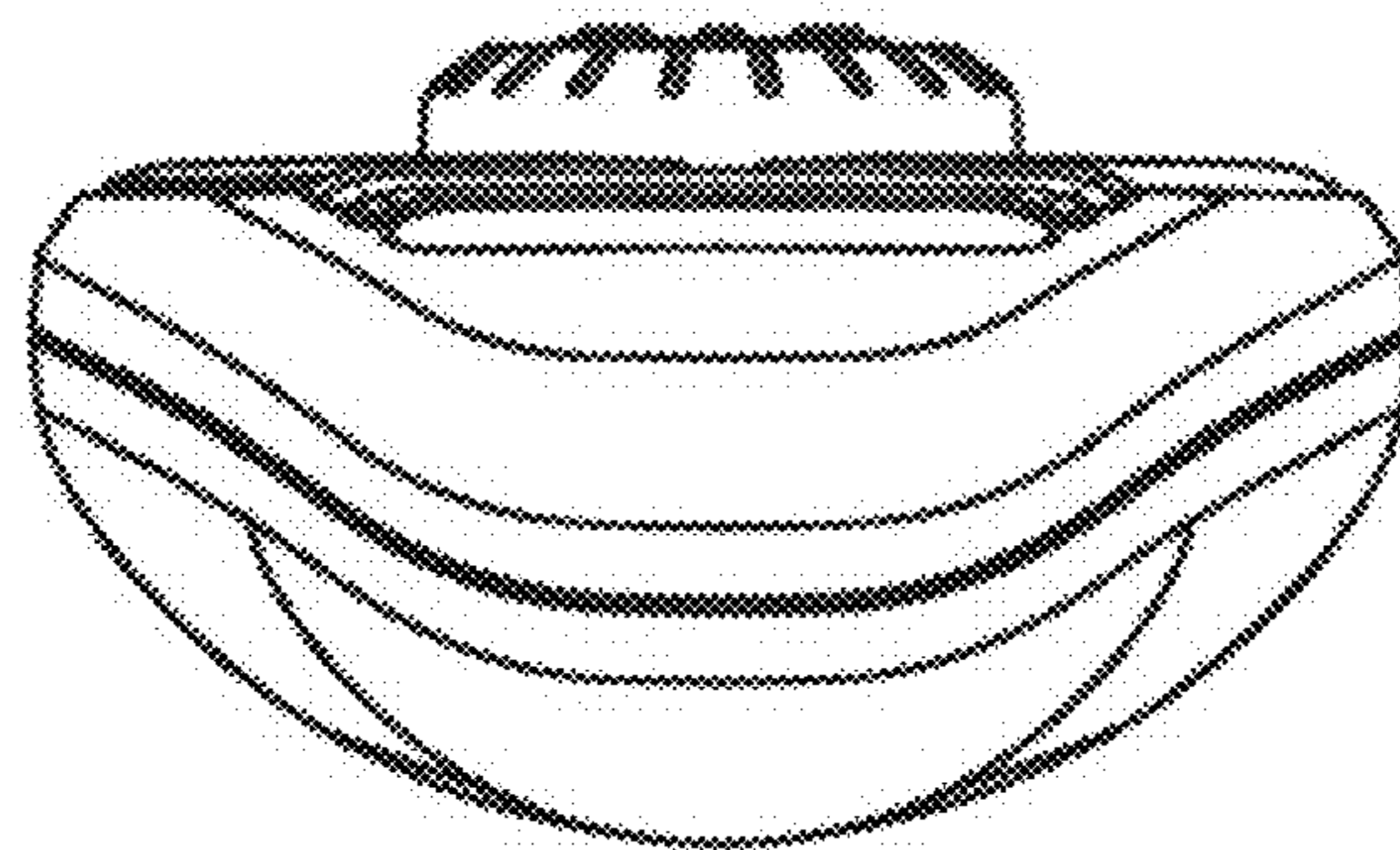


FIG. 14