



US00D624902S

(12) **United States Design Patent**  
**Kolton**

(10) **Patent No.:** **US D624,902 S**

(45) **Date of Patent:** **\*\* Oct. 5, 2010**

(54) **EARPHONE**

D614,167 S \* 4/2010 Brickstad ..... D14/205  
D614,168 S \* 4/2010 Rogers et al. .... D14/206

(76) Inventor: **Timothy Val Kolton**, 6464 Sunset Blvd.,  
Suite 500, Hollywood, CA (US) 90028

\* cited by examiner

(\*\*) Term: **14 Years**

*Primary Examiner*—Paula Greene

(21) Appl. No.: **29/345,672**

(74) *Attorney, Agent, or Firm*—Edwin Tarver; Lauson &  
Tarver

(22) Filed: **Oct. 20, 2009**

(57) **CLAIM**

(51) **LOC (9) Cl.** ..... **14-01**

The ornamental design for an earphone, as shown and  
described.

(52) **U.S. Cl.** ..... **D14/205**

(58) **Field of Classification Search** ..... D14/205,  
D14/206, 223, 249; 181/129, 130; 379/430,  
379/431, 420.02, 420.04; 381/380, 381,  
381/375, 374, 370, 371, 328; 455/90.3, 569.1,  
455/575.1; D24/174; 128/864, 866, 867  
See application file for complete search history.

**DESCRIPTION**

(56) **References Cited**

**U.S. PATENT DOCUMENTS**

|           |      |         |                  |       |         |
|-----------|------|---------|------------------|-------|---------|
| 4,646,872 | A *  | 3/1987  | Kamon et al.     | ..... | 181/129 |
| D318,670  | S *  | 7/1991  | Taniguchi        | ..... | D14/205 |
| 5,222,151 | A *  | 6/1993  | Nagayoshi et al. | ..... | 381/380 |
| D463,790  | S *  | 10/2002 | Beraut et al.    | ..... | D14/223 |
| 6,731,772 | B1 * | 5/2004  | Byun             | ..... | 381/380 |
| D554,627  | S *  | 11/2007 | Gondo            | ..... | D14/223 |
| D564,495  | S *  | 3/2008  | Sasaki           | ..... | D14/205 |
| 7,349,550 | B2 * | 3/2008  | Oliveira et al.  | ..... | 381/380 |
| D567,217  | S *  | 4/2008  | Kamo et al.      | ..... | D14/205 |
| D590,371  | S *  | 4/2009  | Leinvuo          | ..... | D14/205 |
| 7,551,748 | B2 * | 6/2009  | Kamo et al.      | ..... | 381/380 |
| D603,837  | S *  | 11/2009 | Martin           | ..... | D14/206 |
| D605,628  | S *  | 12/2009 | Ando             | ..... | D14/205 |
| D607,875  | S *  | 1/2010  | Pedersen, II     | ..... | D14/206 |
| D613,274  | S *  | 4/2010  | Lee et al.       | ..... | D14/225 |

Portions of the disclosure of this patent document contain  
material that is subject to copyright protection. The copyright  
owner has no objection to the facsimile reproduction by any-  
one of the patent document or the patent disclosure as it  
appears in the Patent and Trademark Office file or records, but  
otherwise reserves all copyright rights whatsoever.

FIG. 1 is a perspective view of an earphone showing my new  
design, the cord is drawn broken away for purposes of illus-  
tration;

FIG. 2 is a left side view thereof;

FIG. 3 is a right side view thereof;

FIG. 4 is a front view thereof;

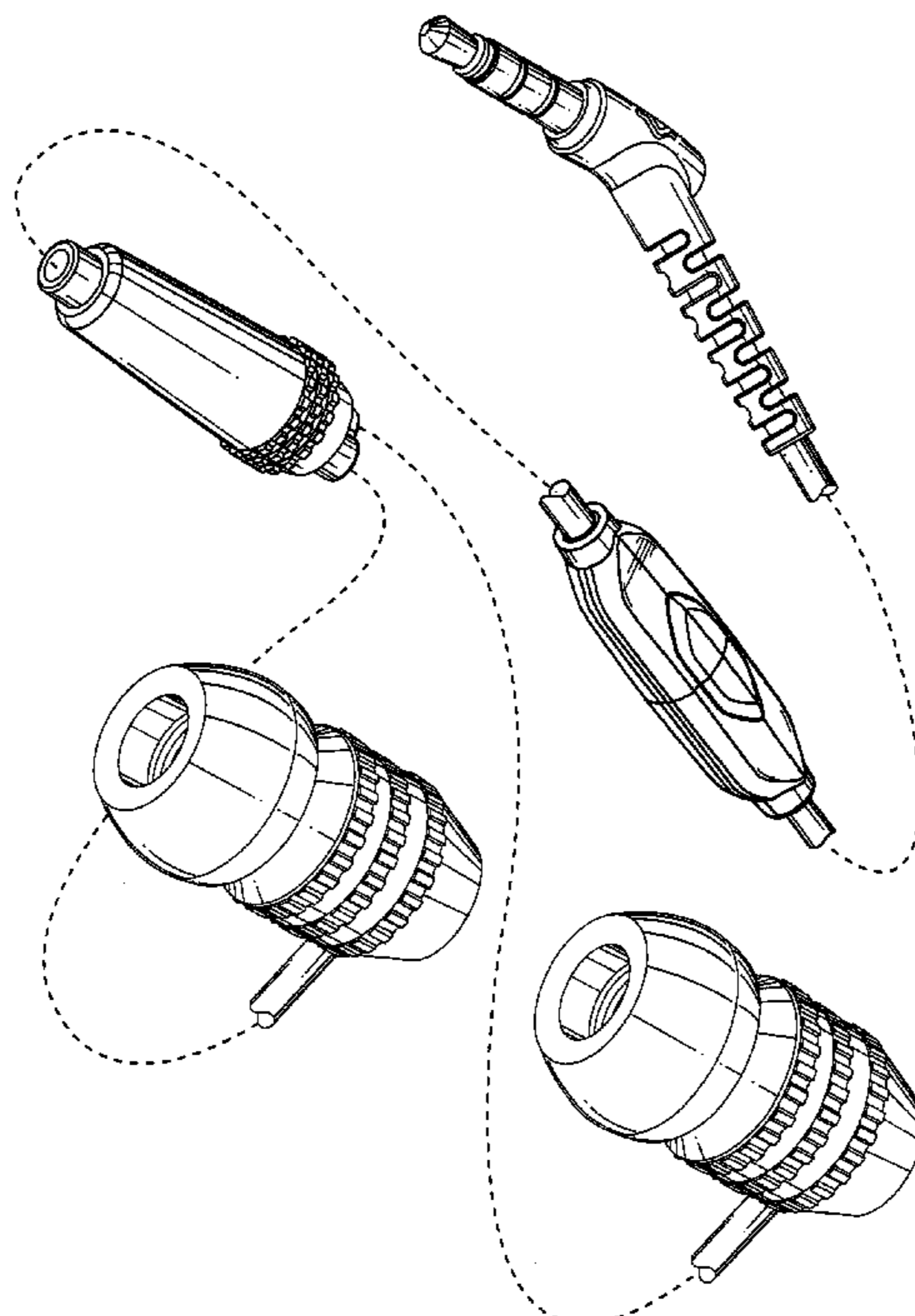
FIG. 5 is a rear view thereof;

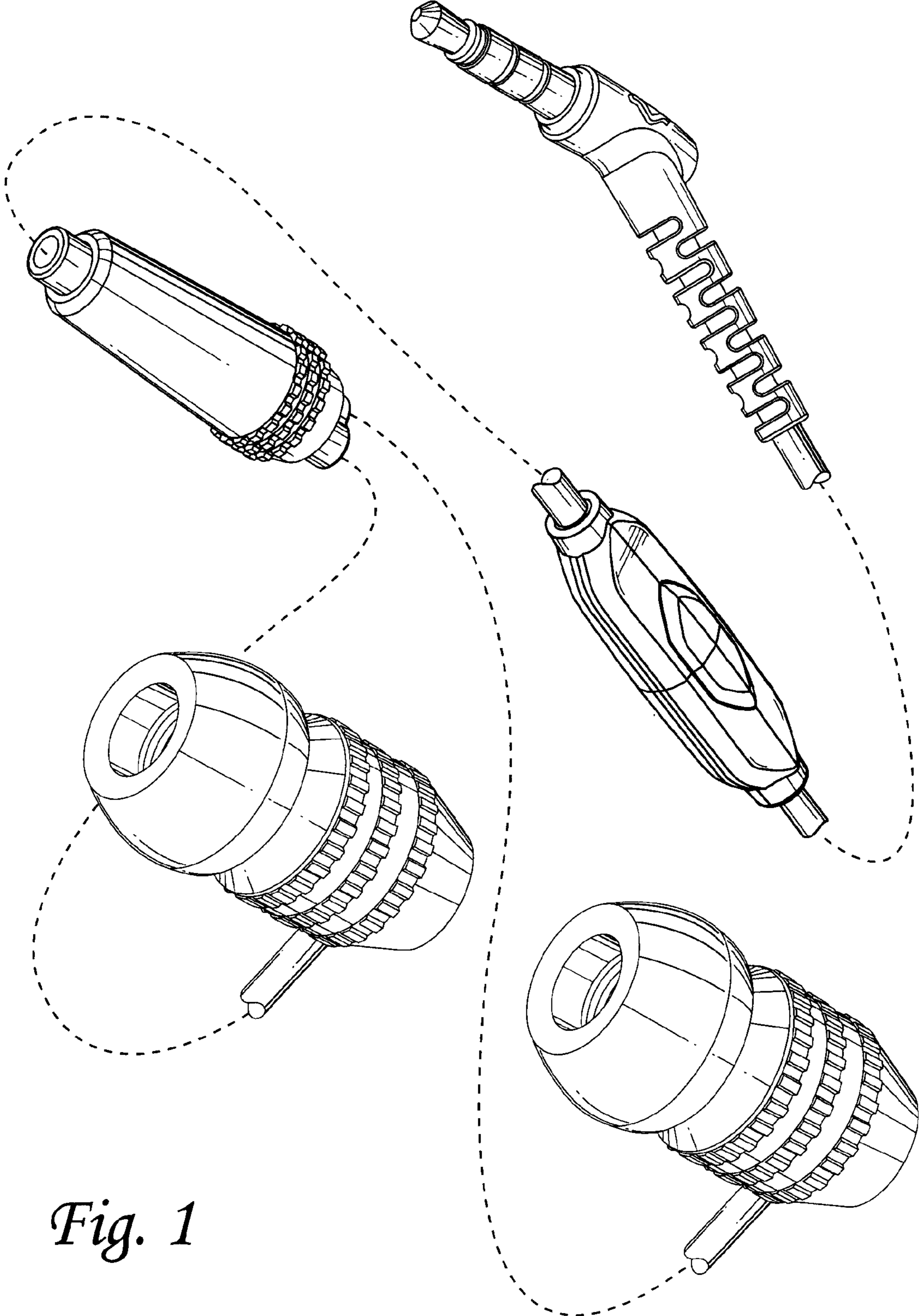
FIG. 6 is a top view thereof; and,

FIG. 7 is a bottom view thereof.

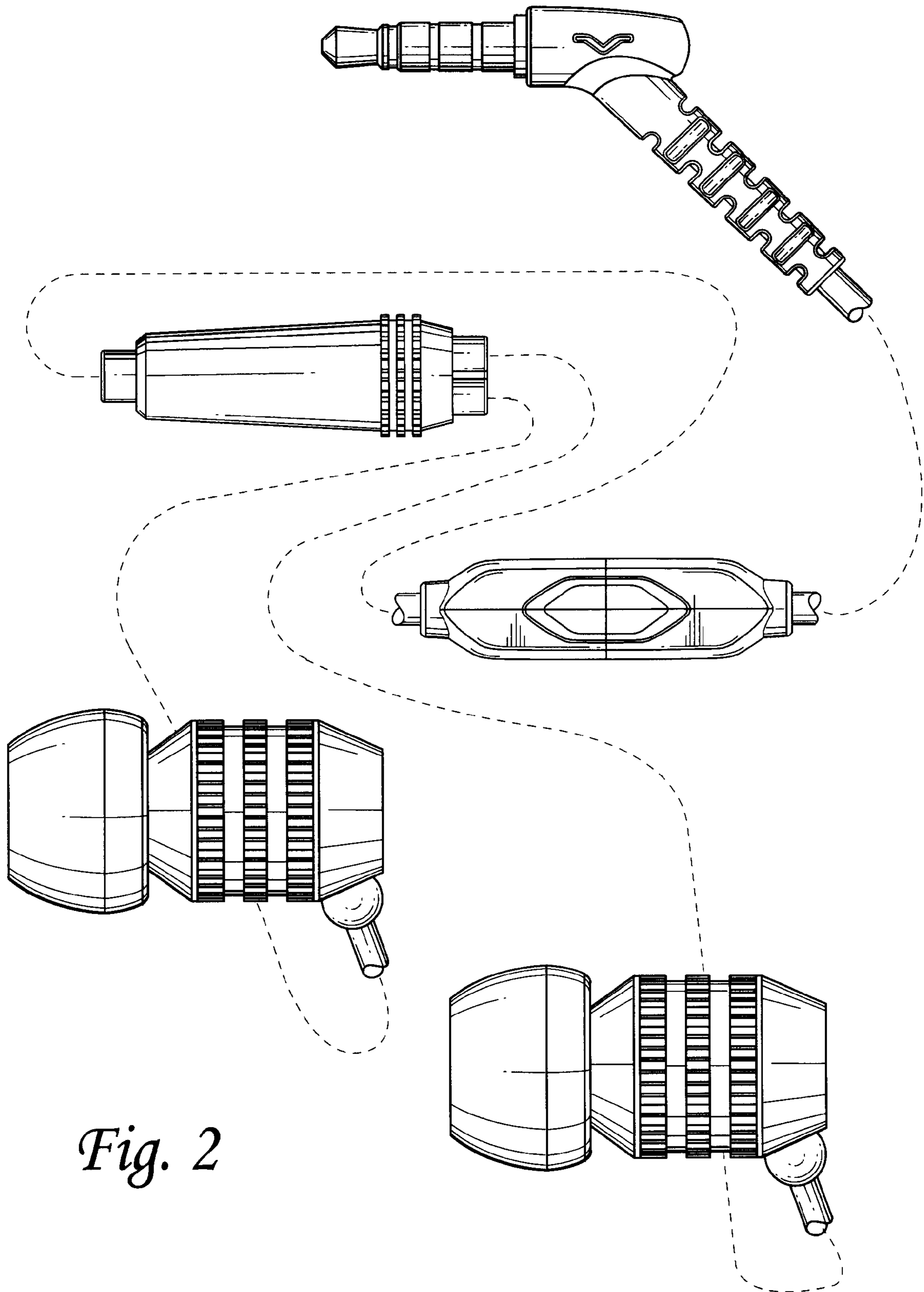
Portions of the drawings shown in dashed line are for illus-  
trative purposes only, and form no part of the claimed design.

**1 Claim, 7 Drawing Sheets**

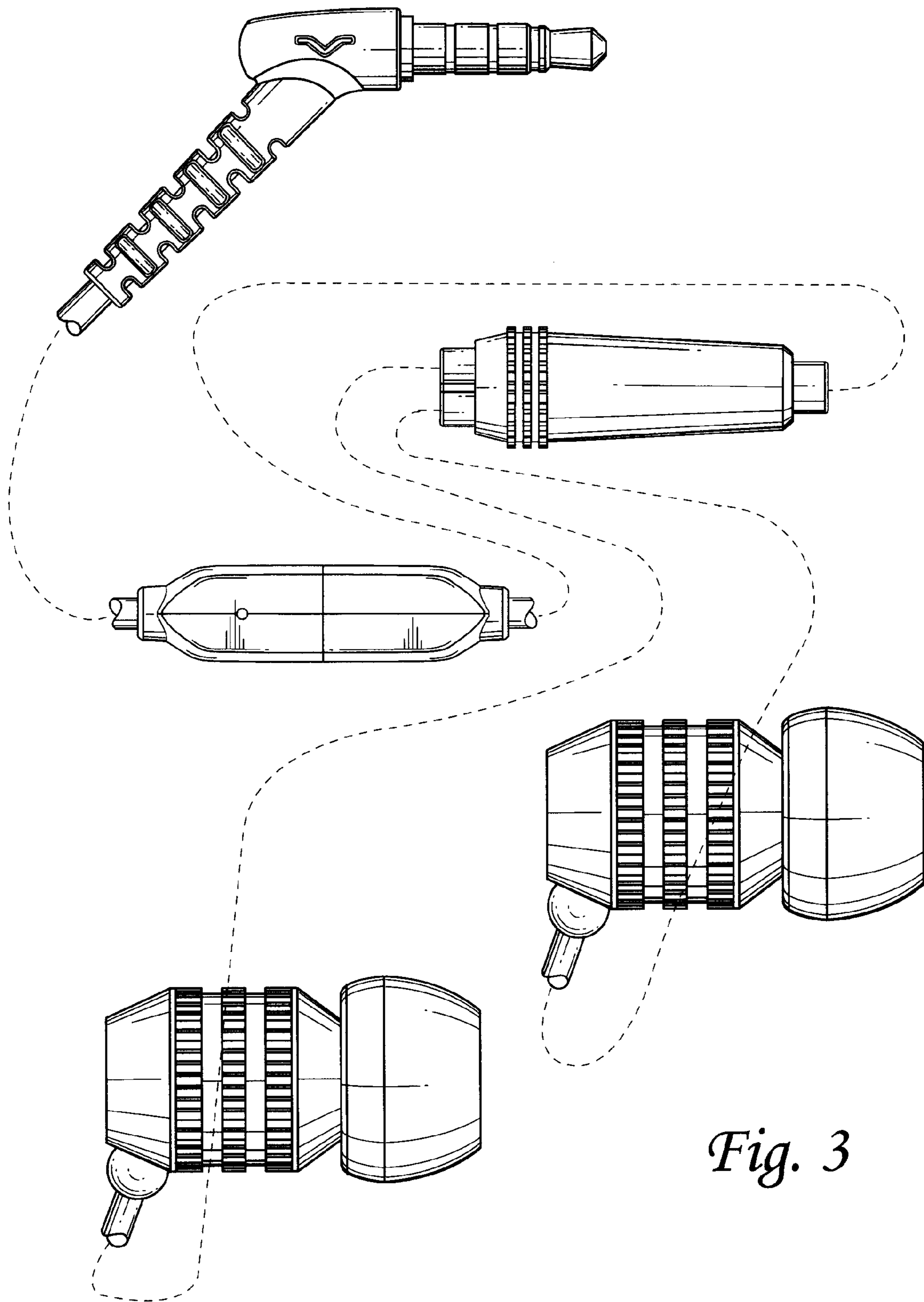




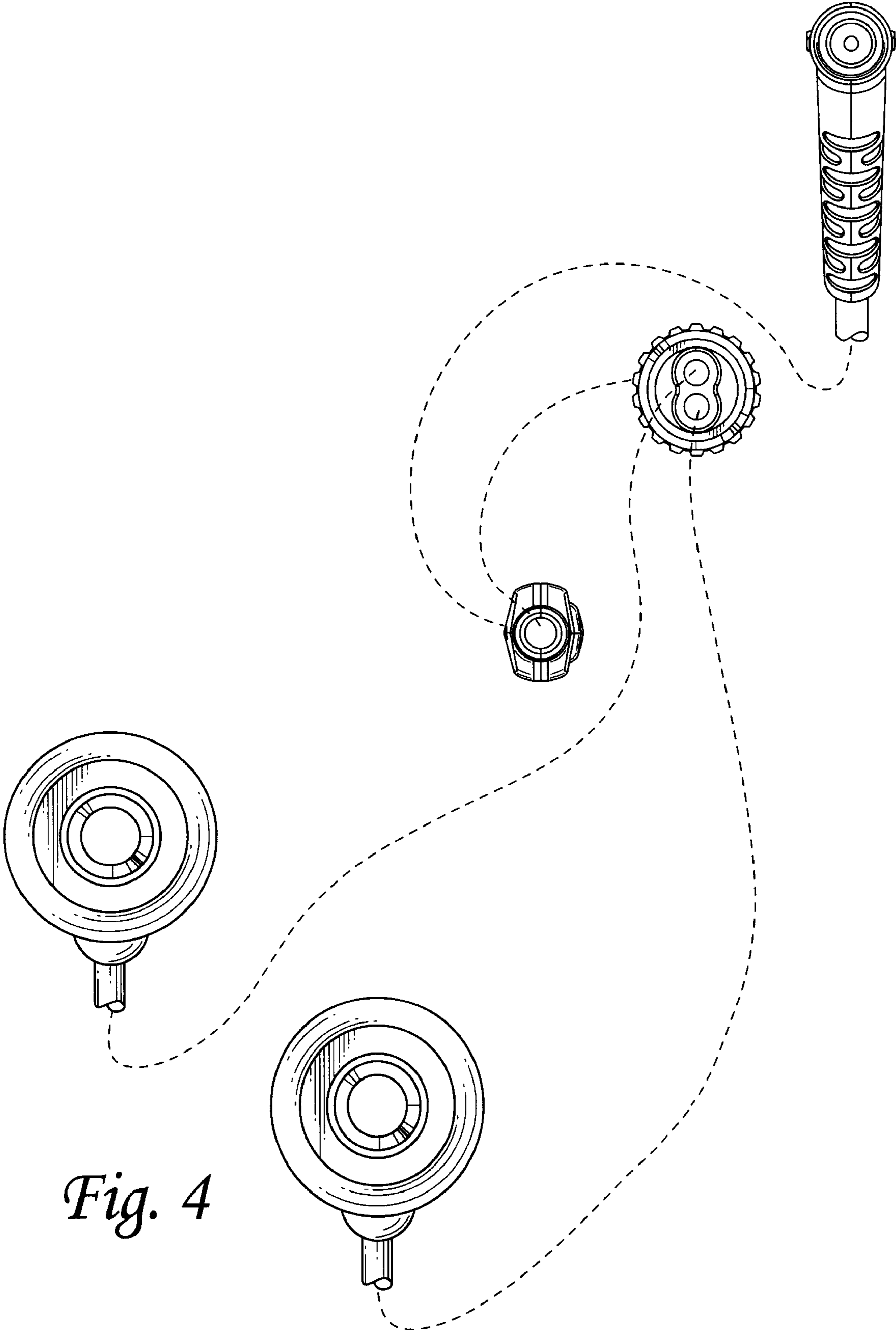
*Fig. 1*



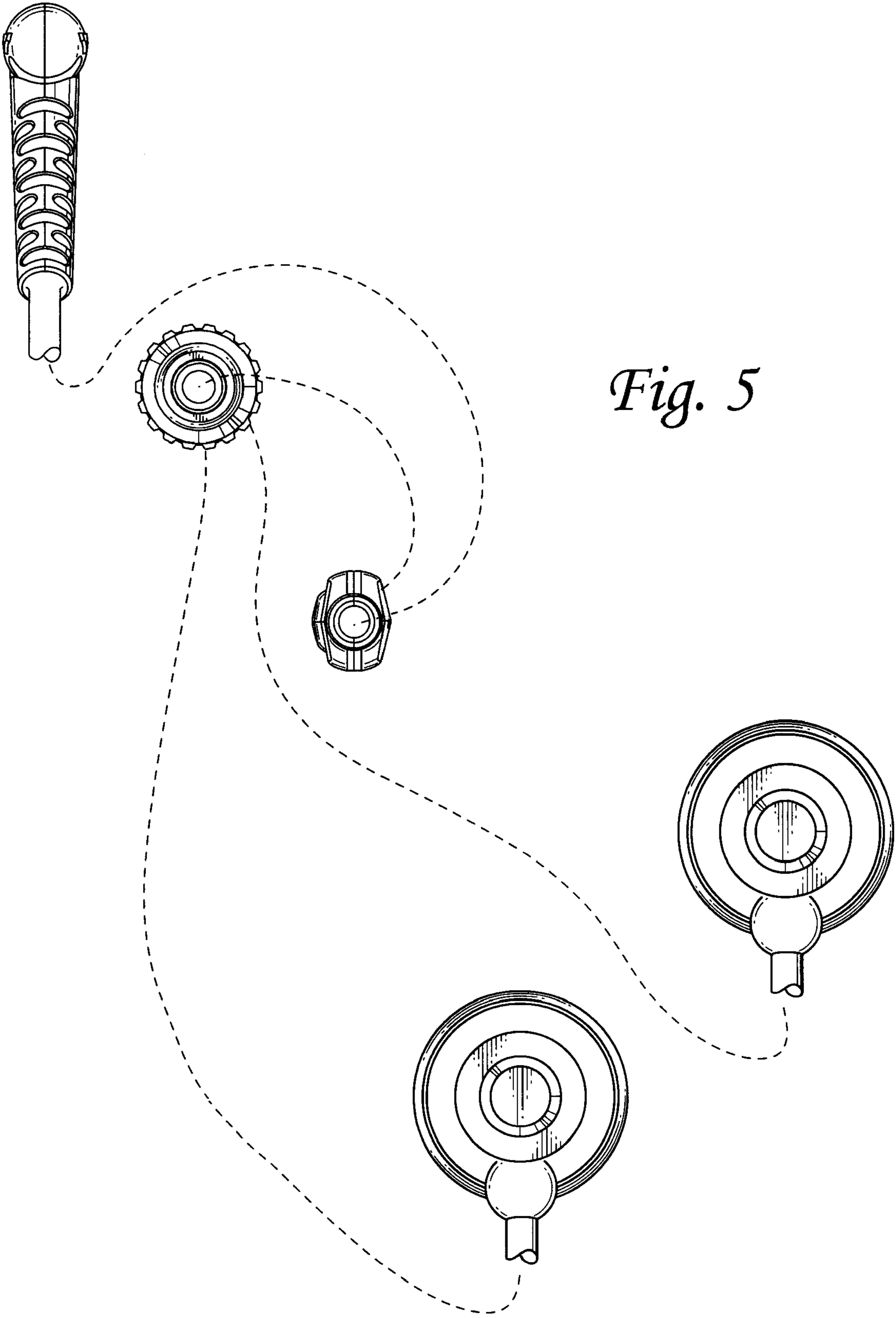
*Fig. 2*



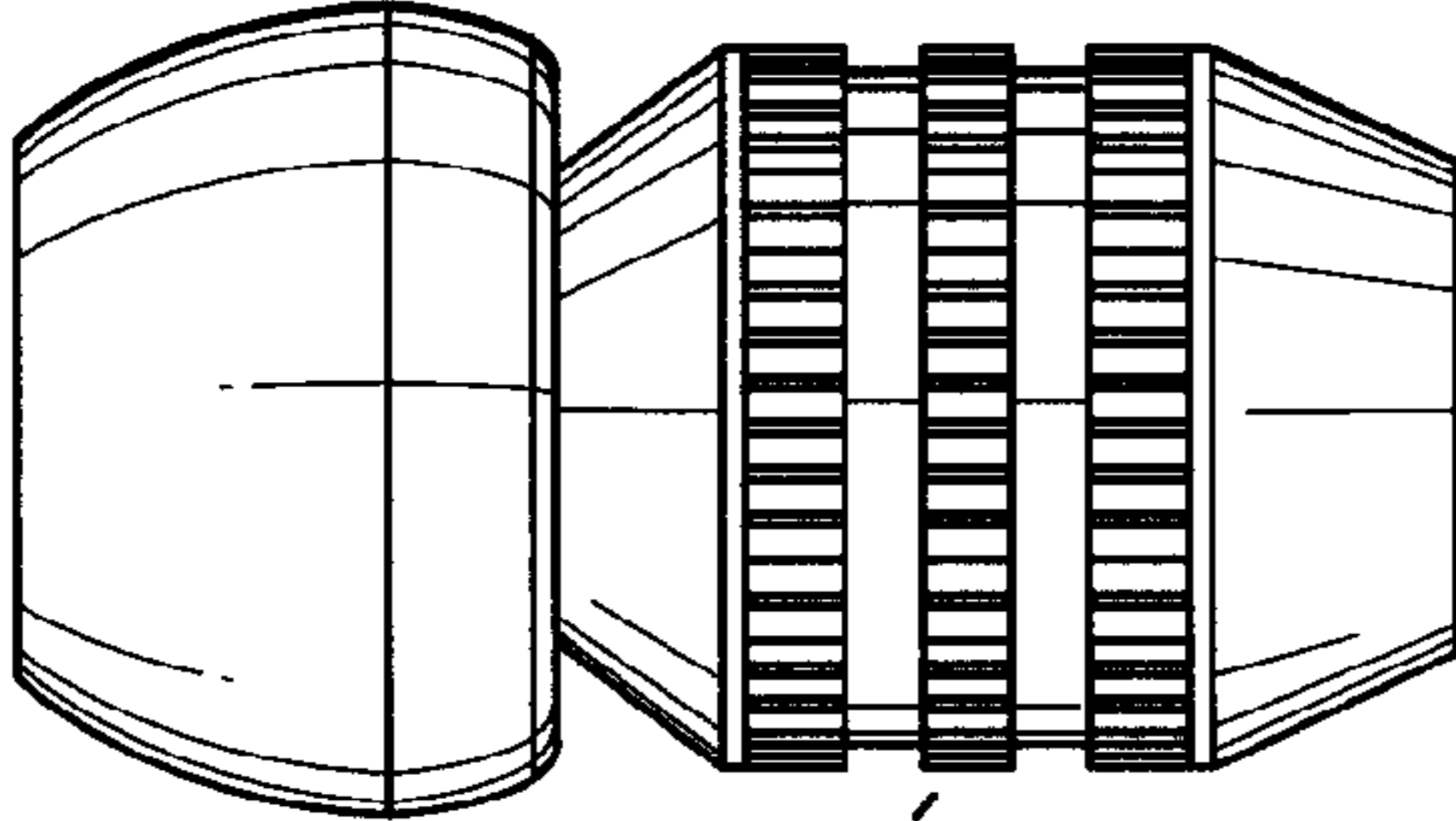
*Fig. 3*



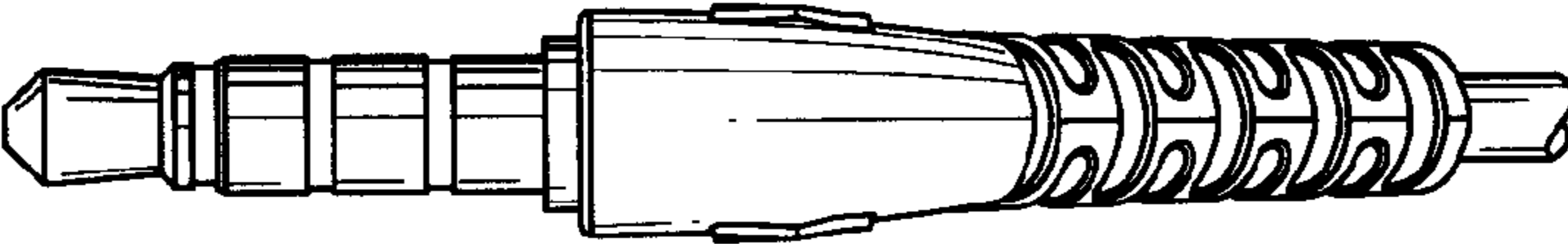
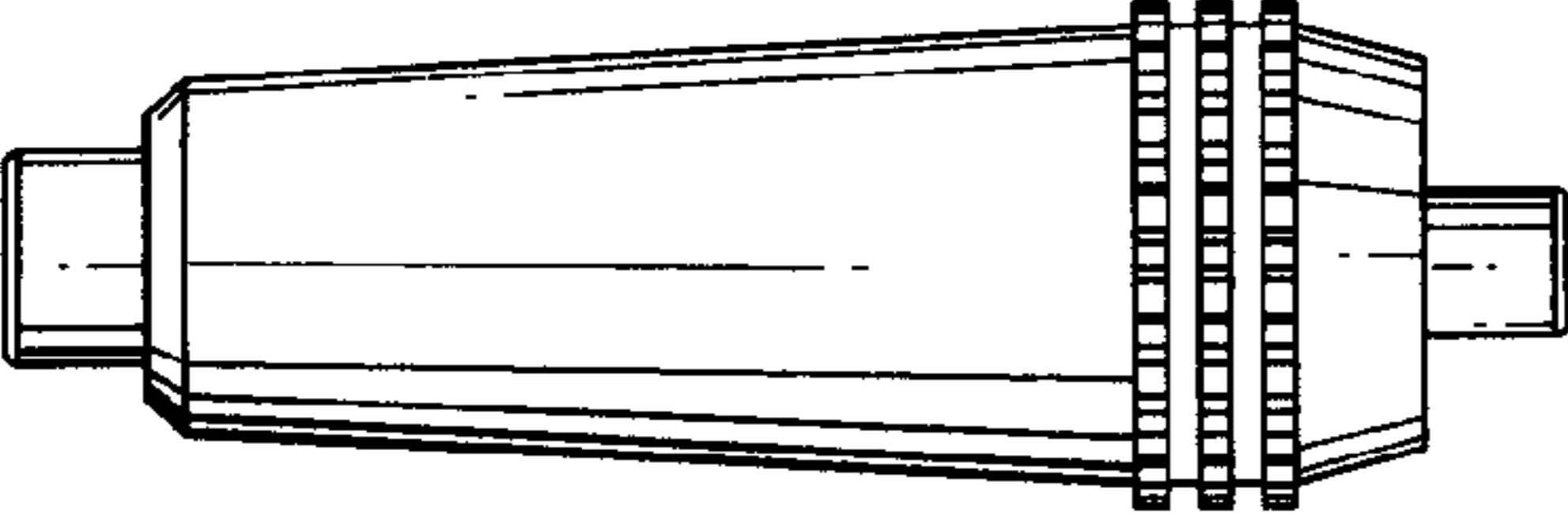
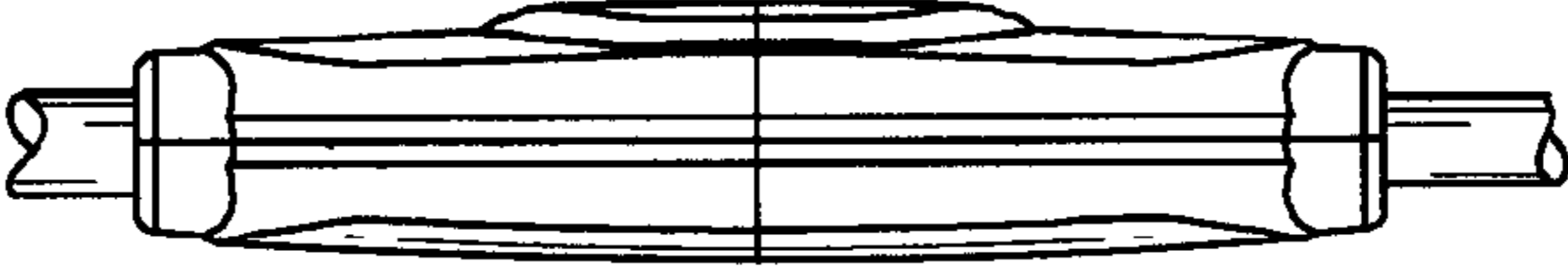
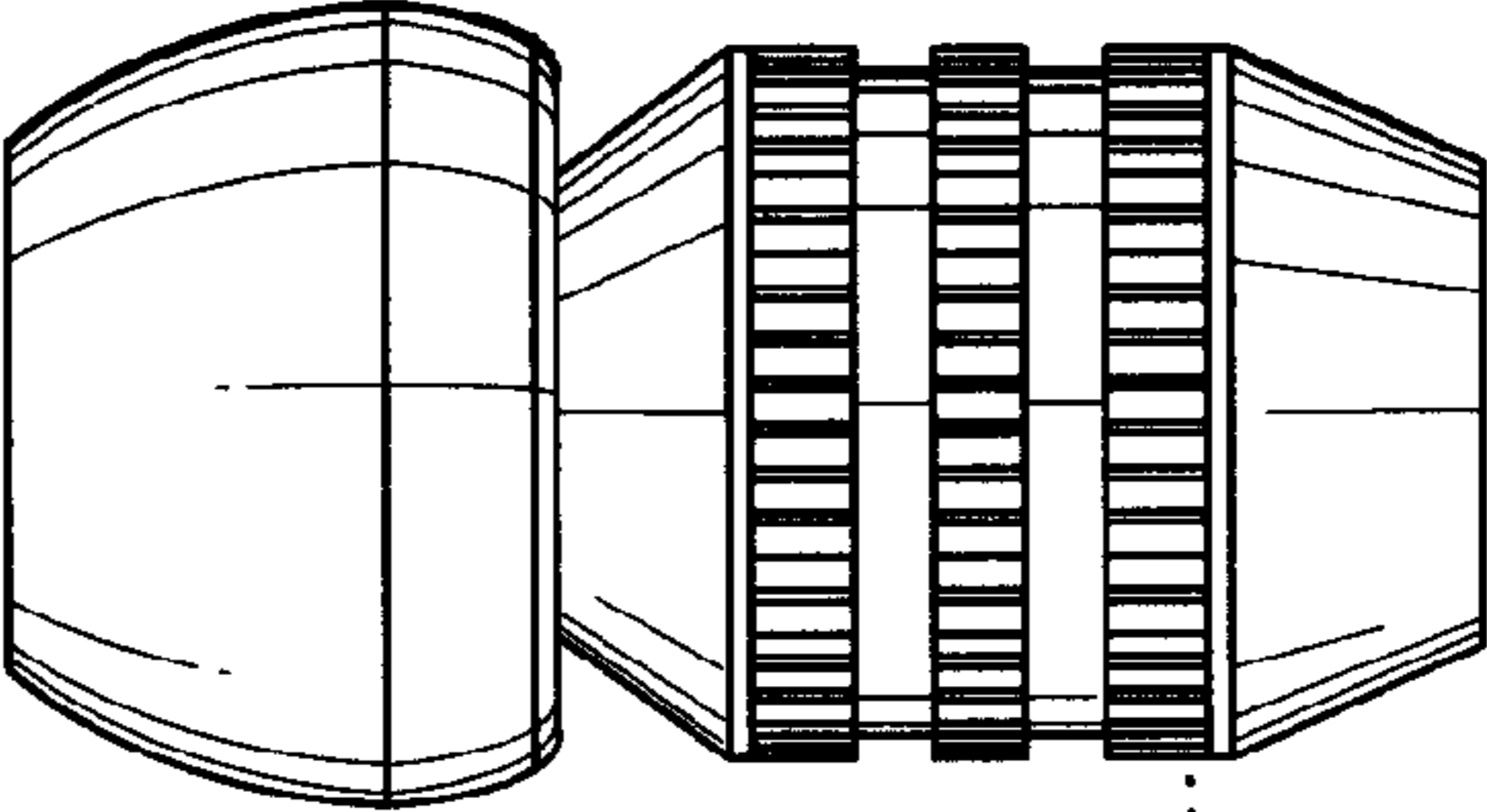
*Fig. 4*

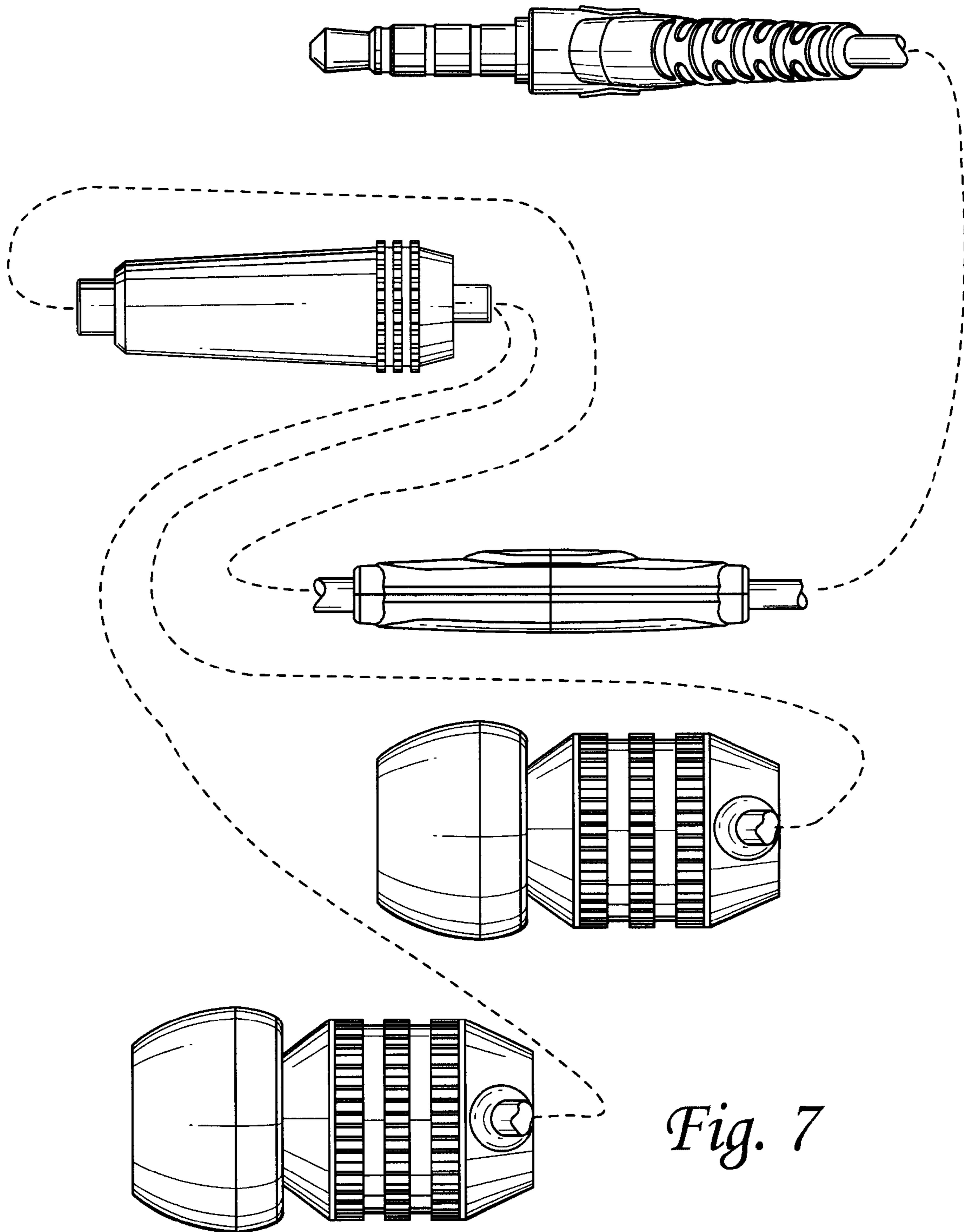


*Fig. 5*



*Fig. 6*





*Fig. 7*