



US00D624900S

(12) **United States Design Patent**
Yagihashi et al.

(10) **Patent No.:** **US D624,900 S**

(45) **Date of Patent:** **** Oct. 5, 2010**

(54) **AMPLIFIER**

(75) Inventors: **Tatsuya Yagihashi**, Tokyo (JP); **Raku Ishida**, Tokyo (JP)

(73) Assignee: **Sony Corporation**, Tokyo (JP)

(**) Term: **14 Years**

(21) Appl. No.: **29/309,091**

(22) Filed: **Jun. 20, 2008**

Related U.S. Application Data

(63) Continuation-in-part of application No. 29/290,134, filed on Oct. 24, 2007, now Pat. No. Des. 573,976.

(51) **LOC (9) Cl.** **14-03**

(52) **U.S. Cl.** **D14/188**

(58) **Field of Classification Search** D14/168, D14/169, 179, 188, 194-198, 215, 217, 257, D14/265, 299, 496; 330/1 R, 3, 4, 250; 381/86, 381/120; 455/344-351; D13/182
See application file for complete search history.

(56) **References Cited**

U.S. PATENT DOCUMENTS

3,091,736	A	*	5/1963	Germain	455/90.3
4,756,382	A	*	7/1988	Hudson, III	181/156
D322,069	S	*	12/1991	Seror	D14/188
5,191,177	A	*	3/1993	Chi	181/153
D337,114	S	*	7/1993	Mantz	D14/188
5,285,500	A	*	2/1994	Mantz	381/86
D348,869	S	*	7/1994	Egger et al.	D13/123
D386,761	S	*	11/1997	Pleitz	D14/188
D392,640	S	*	3/1998	Tully et al.	D14/216
D396,720	S		8/1998	Yuyama		
D400,206	S	*	10/1998	Mahgerefteh	D14/188
D415,157	S	*	10/1999	Rabbani	D14/188
D416,903	S		11/1999	Kizawa		
6,028,945	A	*	2/2000	Gayle	381/120
D429,716	S	*	8/2000	Horikoshi	D14/188
D431,816	S	*	10/2000	Beaumont et al.	D14/188
D446,204	S	*	8/2001	Smith	D14/188
D449,288	S		10/2001	Sogabe		

D512,707	S	*	12/2005	Chen et al.	D14/188
D513,247	S		12/2005	Matsuoka		
D520,985	S	*	5/2006	Ishinabe	D14/188
D548,723	S	*	8/2007	Mizokawa	D14/188
D549,214	S		8/2007	Uehara		
D610,125	S	*	2/2010	Ichikawa et al.	D14/188

* cited by examiner

Primary Examiner—Stella M Reid

Assistant Examiner—Keli L Hill

(74) *Attorney, Agent, or Firm*—Rader, Fishman & Grauer PLLC

(57) **CLAIM**

The ornamental design for an amplifier, as shown and described.

DESCRIPTION

FIG. 1 is a perspective view of a first embodiment of an amplifier showing my new design;

FIG. 2 is a front elevational view thereof;

FIG. 3 is a rear elevational view thereof;

FIG. 4 is a left side elevational view thereof;

FIG. 5 is a right side elevational view thereof;

FIG. 6 is a top plan view thereof; and

FIG. 7 is a bottom plan view thereof.

FIG. 8 is a perspective view of a second embodiment of an amplifier showing my new design;

FIG. 9 is a front elevational view thereof;

FIG. 10 is a rear elevational view thereof;

FIG. 11 is a left side elevational view thereof;

FIG. 12 is a right side elevational view thereof;

FIG. 13 is a top plan view thereof; and,

FIG. 14 is a bottom plan view thereof.

The portions indicated in broken lines are for illustrative purposes only and form no part of the claimed design. The dot-dash broken lines shown in FIGS. 1, 2, 7 and 8 define but are not included in, the boundaries of the claimed design.

1 Claim, 14 Drawing Sheets

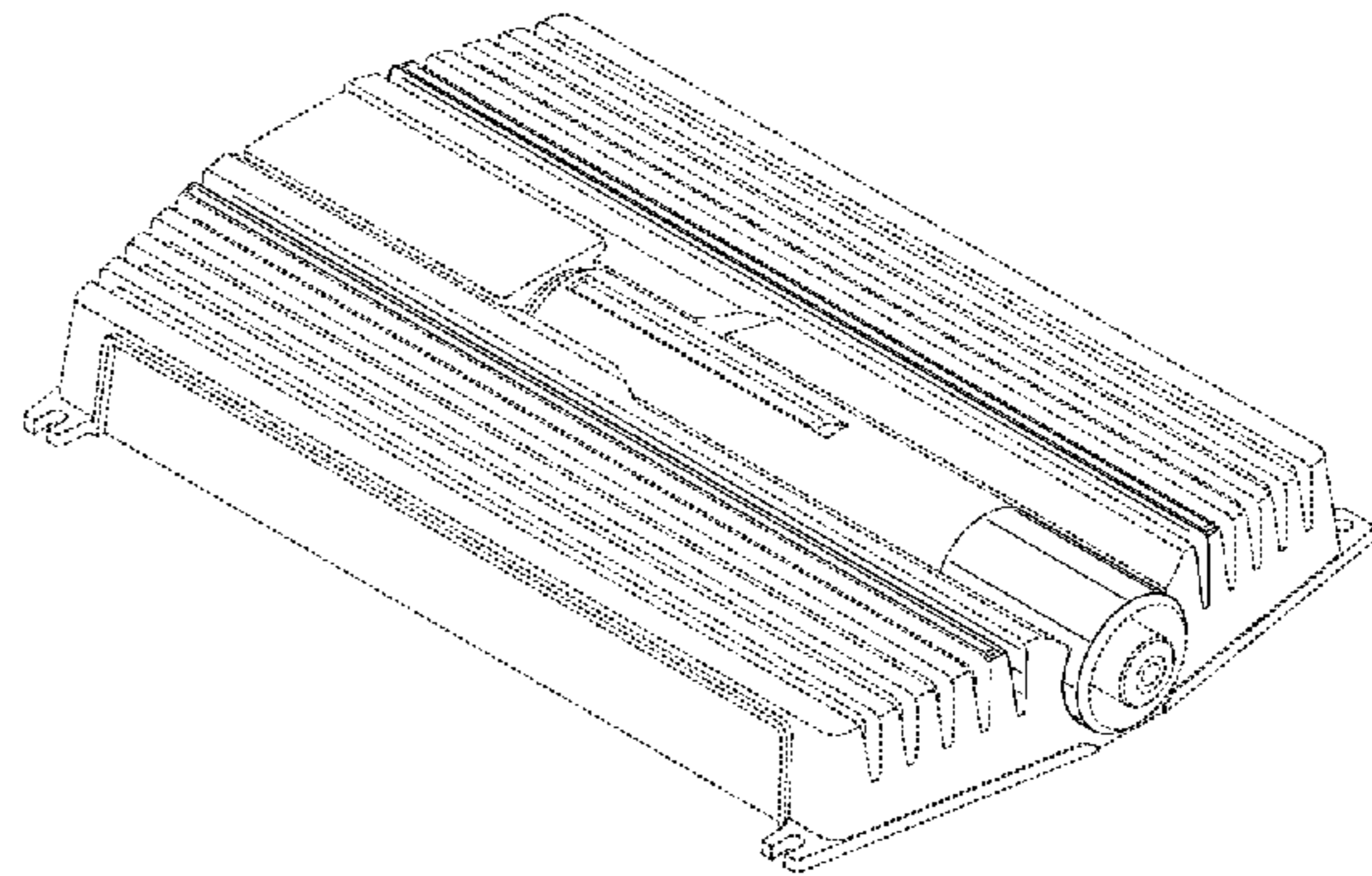
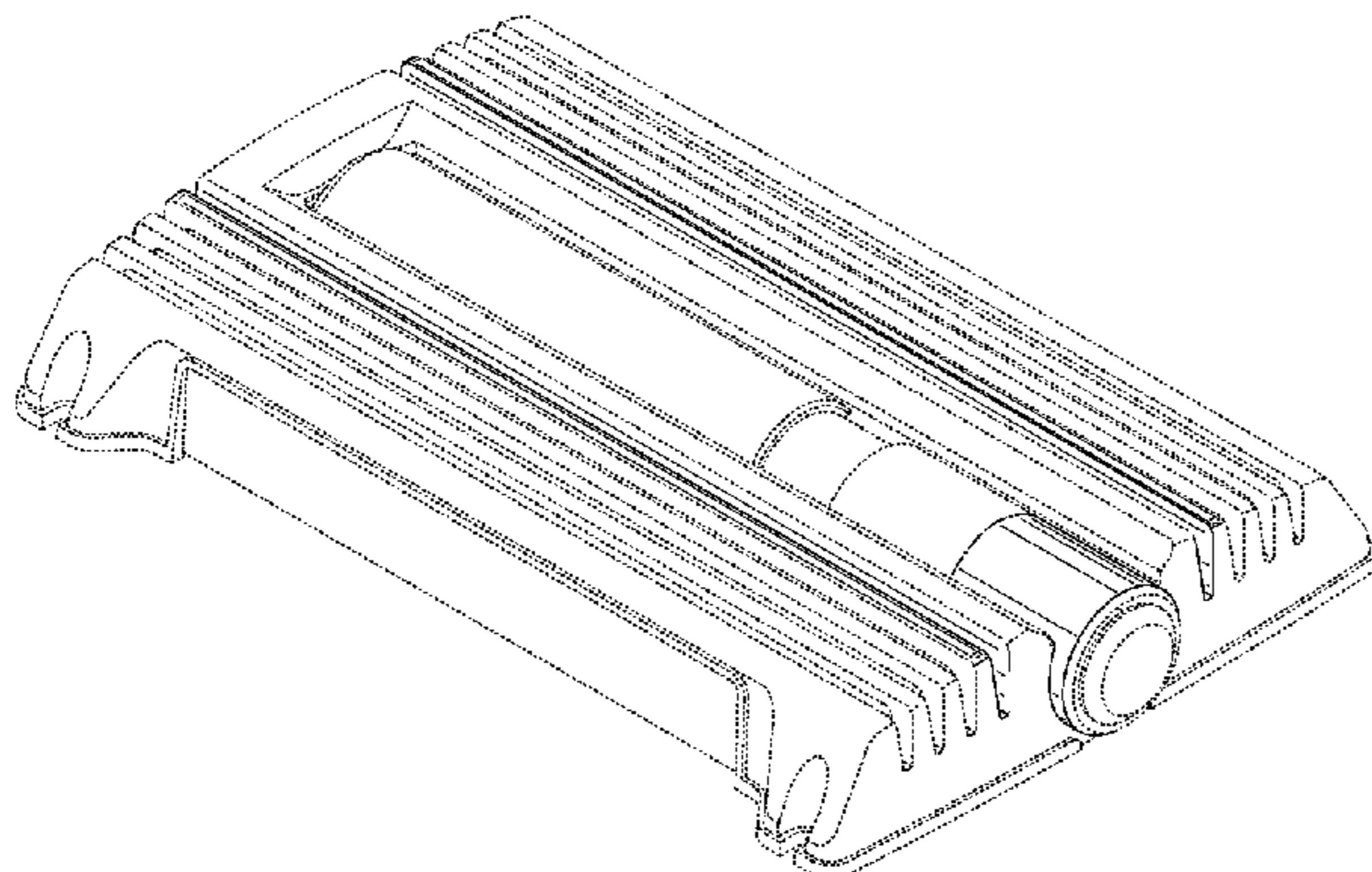


FIG.1

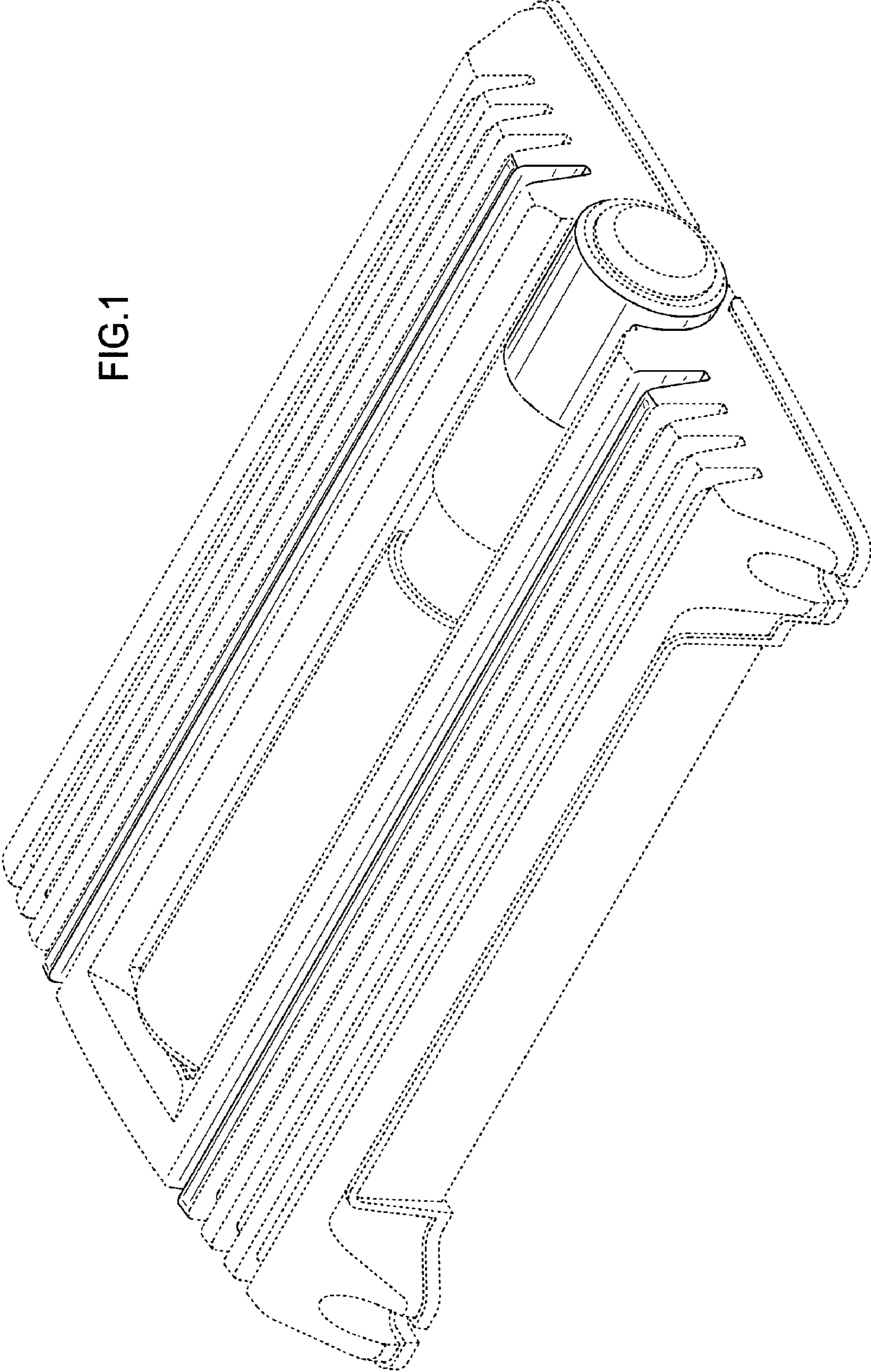


FIG.2

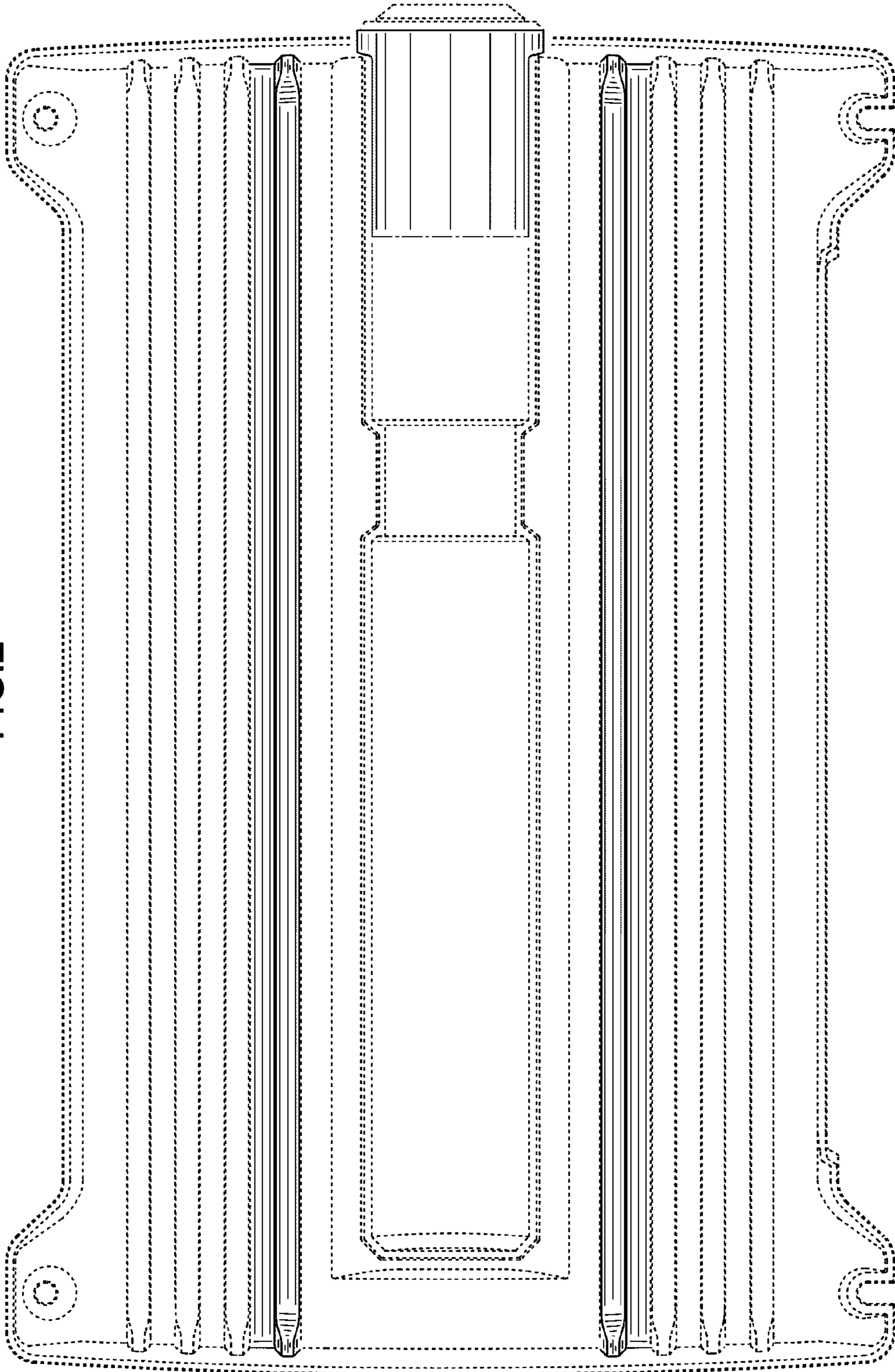


FIG.3

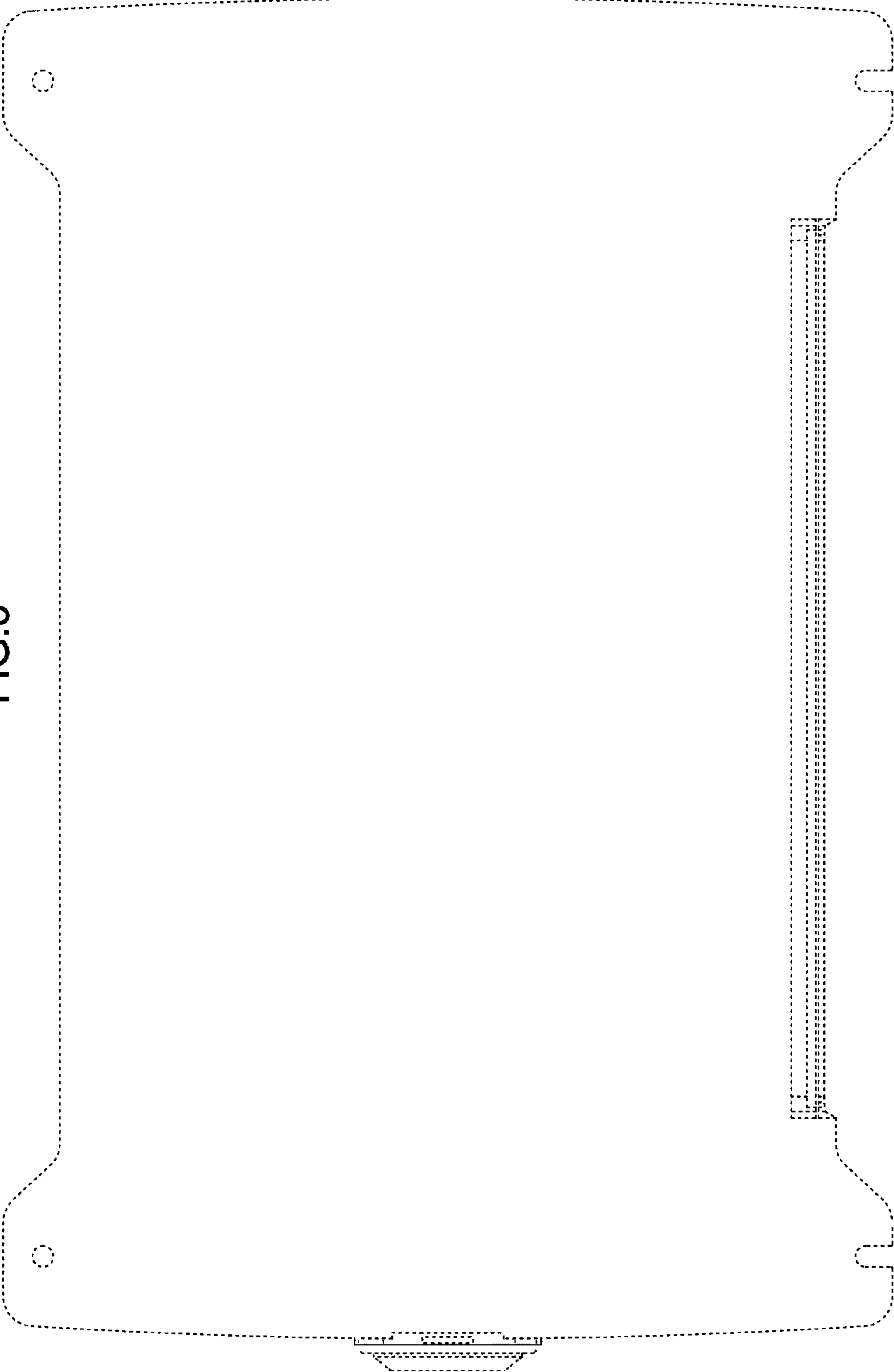


FIG.4

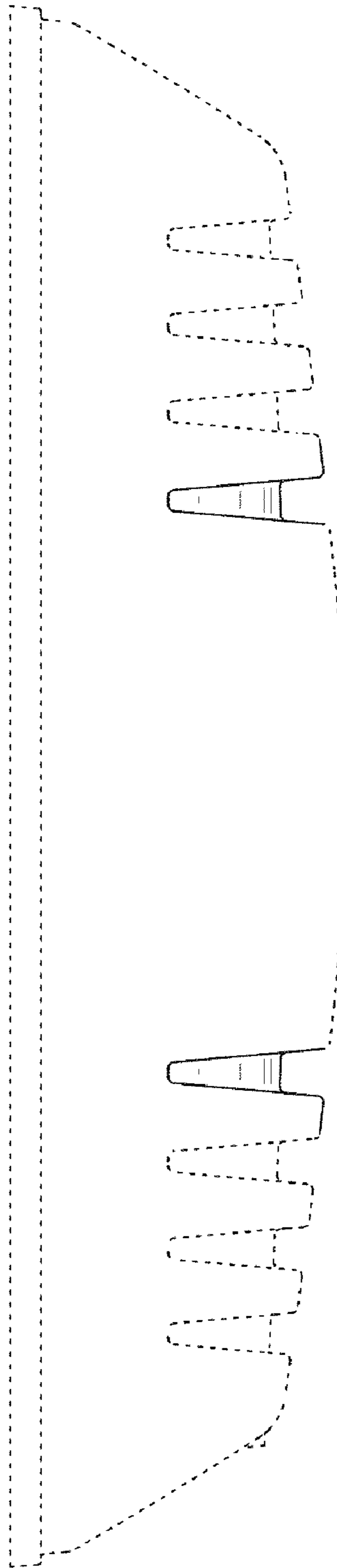


FIG.5

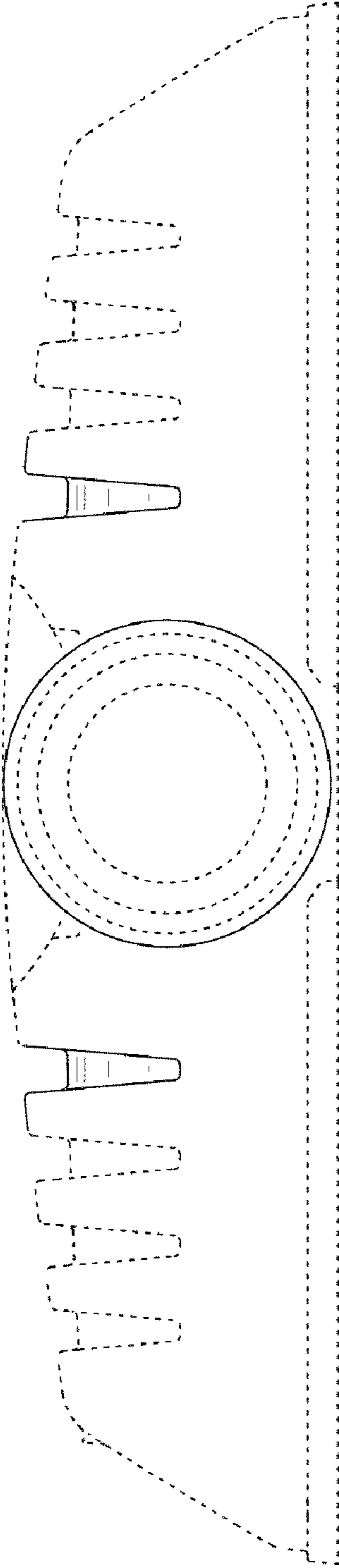


FIG.6

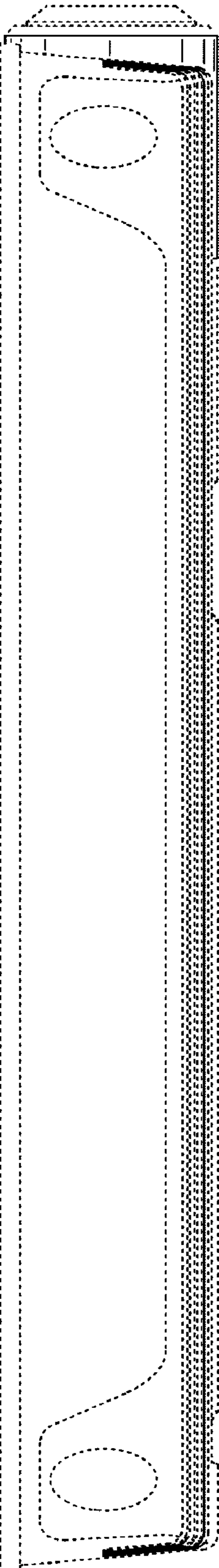


FIG.7



FIG.8

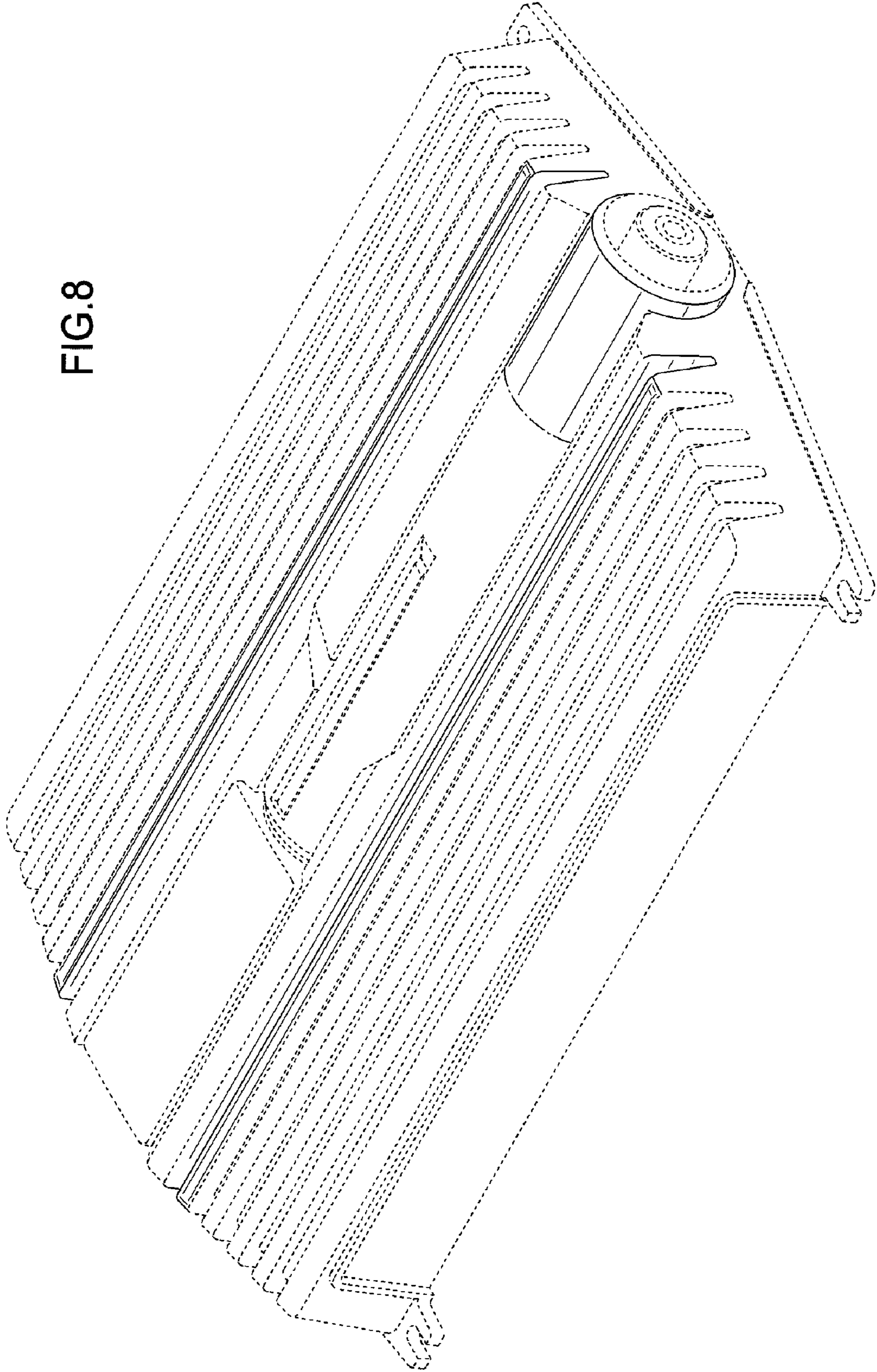


FIG.9

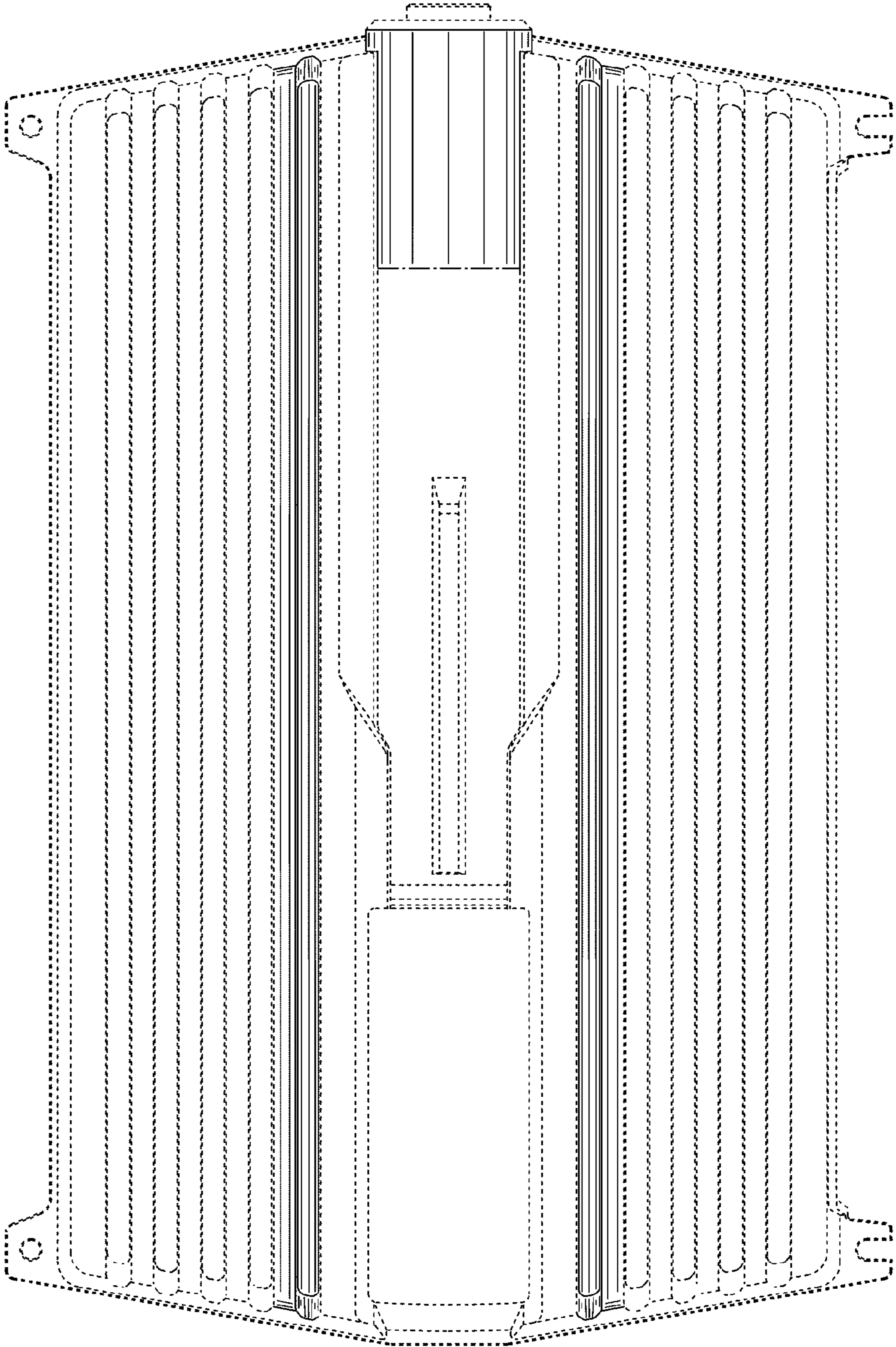


FIG.10

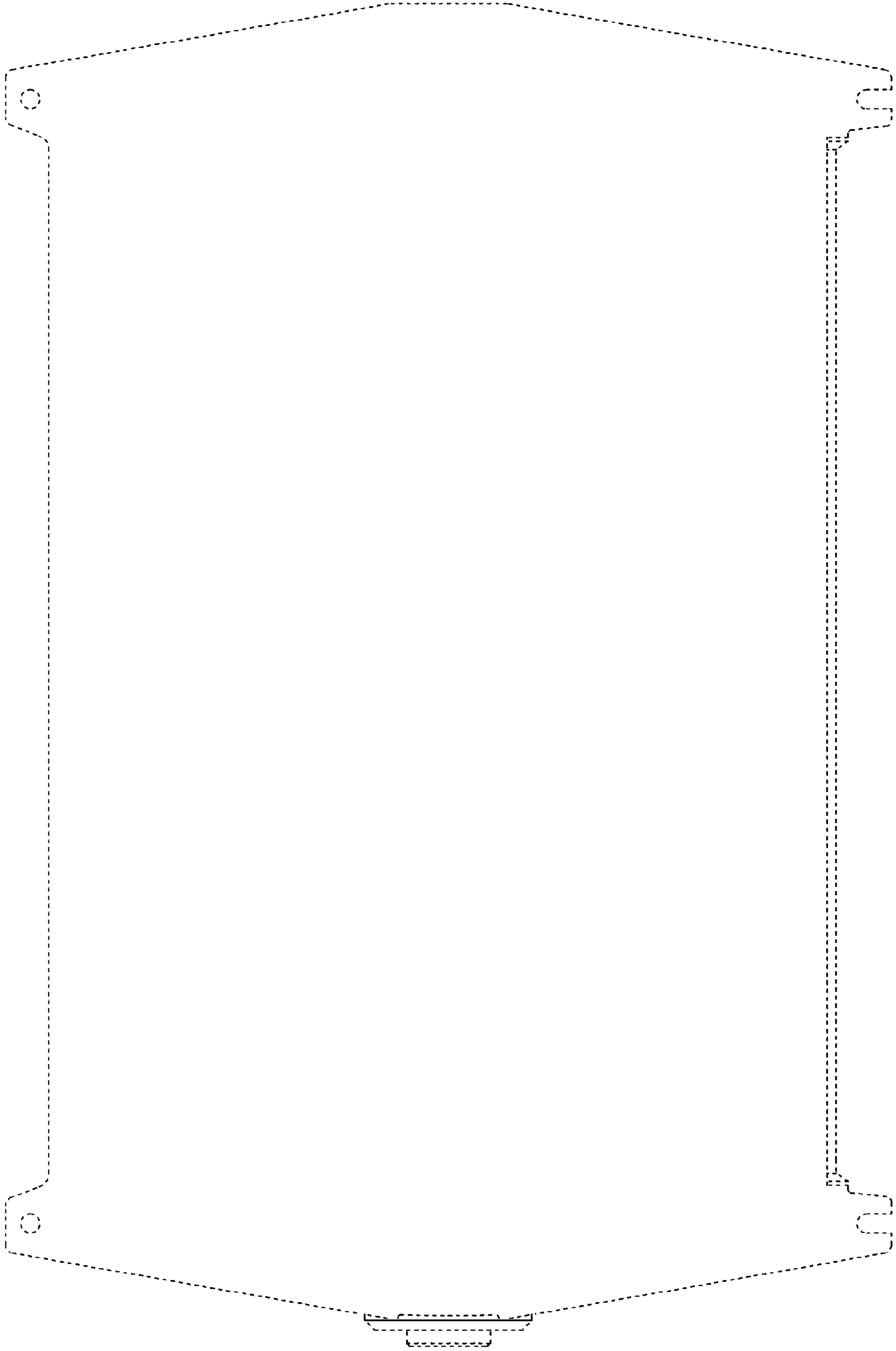


FIG.11

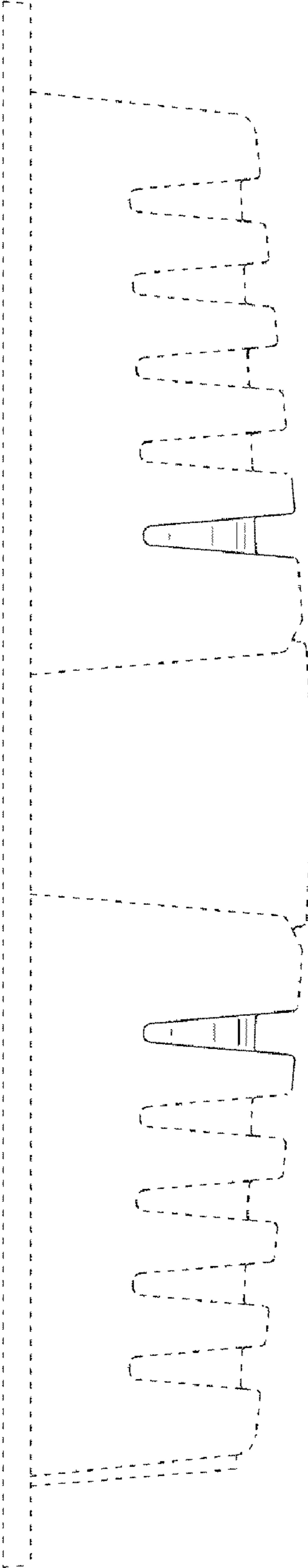


FIG.12

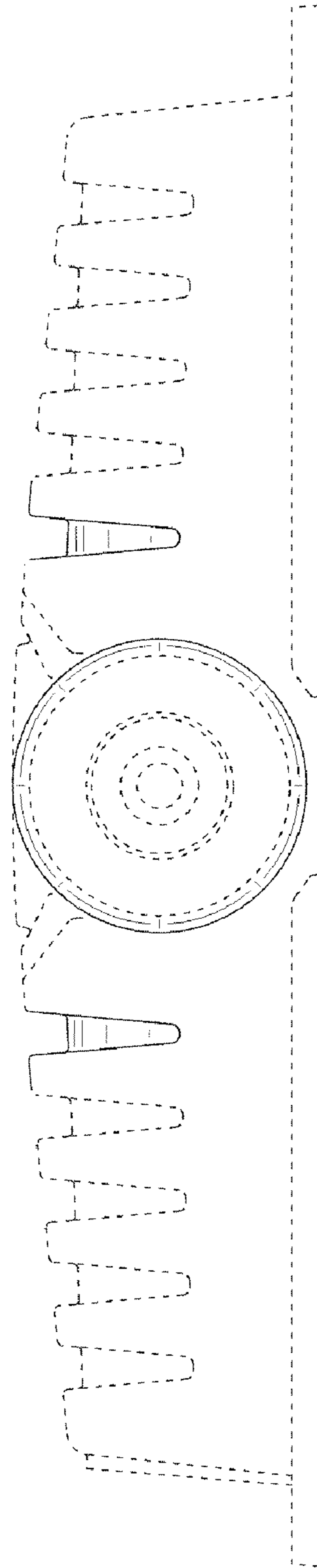


FIG.13

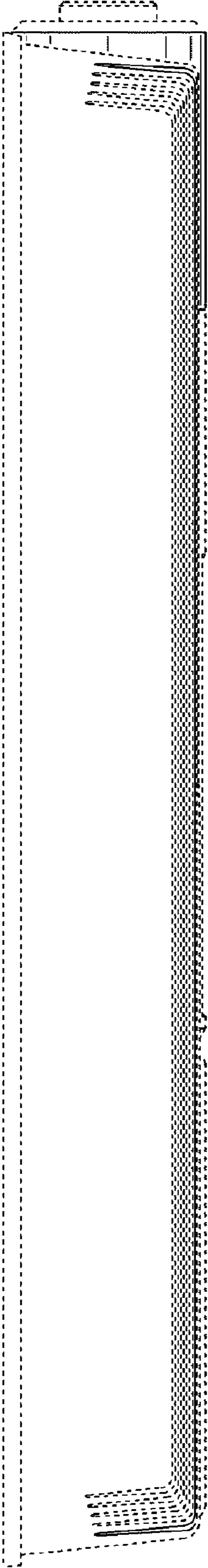


FIG.14

