



US00D624894S

(12) **United States Design Patent**  
**Kasuga et al.**

(10) **Patent No.:** **US D624,894 S**

(45) **Date of Patent:** **\*\* Oct. 5, 2010**

(54) **DISPLAY**

(75) Inventors: **Hiroyuki Kasuga**, Minato-ku (JP);  
**Yoshihito Mochizuki**, Minato-ku (JP);  
**Hsi-Ming Chen**, Minato-ku (JP); **Naoto**  
**Fukasawa**, Shibuya-ku (JP)

(73) Assignee: **NEC Display Solutions, Ltd.**, Tokyo  
(JP)

(\*\*) Term: **14 Years**

(21) Appl. No.: **29/358,252**

(22) Filed: **Mar. 24, 2010**

(51) **LOC (9) Cl.** ..... **14-03**

(52) **U.S. Cl.** ..... **D14/126**

(58) **Field of Classification Search** ..... D14/125–134,  
D14/239, 371, 136, 374–377, 440, 450, 448,  
D14/336, 342; 312/7.2; 348/836, 838, 180,  
348/184, 325, 739; 341/12; 248/917–924,  
248/465; 345/104, 133, 156, 168, 87, 173;  
720/605, 669, 600, 655; 369/99, 197; 455/344,  
455/347; D21/329, 515, 577, 622, 333, 433,  
D21/448, 452, 450, 331; D6/477, 479, 300;  
273/148 B; 446/484, 175, 356; D10/15,  
D10/26

See application file for complete search history.

(56) **References Cited**

**U.S. PATENT DOCUMENTS**

D530,328 S \* 10/2006 Chen et al. .... D14/375  
D545,776 S \* 7/2007 Kwon ..... D14/126

D550,222 S \* 9/2007 Park ..... D14/375  
D556,159 S \* 11/2007 Park et al. .... D14/126  
D564,990 S \* 3/2008 Ueno ..... D14/126  
D578,532 S \* 10/2008 Huang et al. .... D14/375  
D596,596 S \* 7/2009 Honda ..... D14/126  
D597,975 S \* 8/2009 Ohno ..... D14/126  
D604,735 S \* 11/2009 Hirasawa et al. .... D14/375  
D606,953 S \* 12/2009 Shin et al. .... D14/126  
2003/0058372 A1 \* 3/2003 Williams et al. .... 348/836

\* cited by examiner

*Primary Examiner*—Raphael Barkai

(74) *Attorney, Agent, or Firm*—Sughrue Mion, PLLC

(57) **CLAIM**

The ornamental design for a display, as shown and described.

**DESCRIPTION**

FIG. 1 is a front, right side, top perspective view of a display showing our new design;

FIG. 2 is a front elevational view thereof;

FIG. 3 is a rear elevational view thereof;

FIG. 4 is a left side view thereof;

FIG. 5 is a right side view thereof;

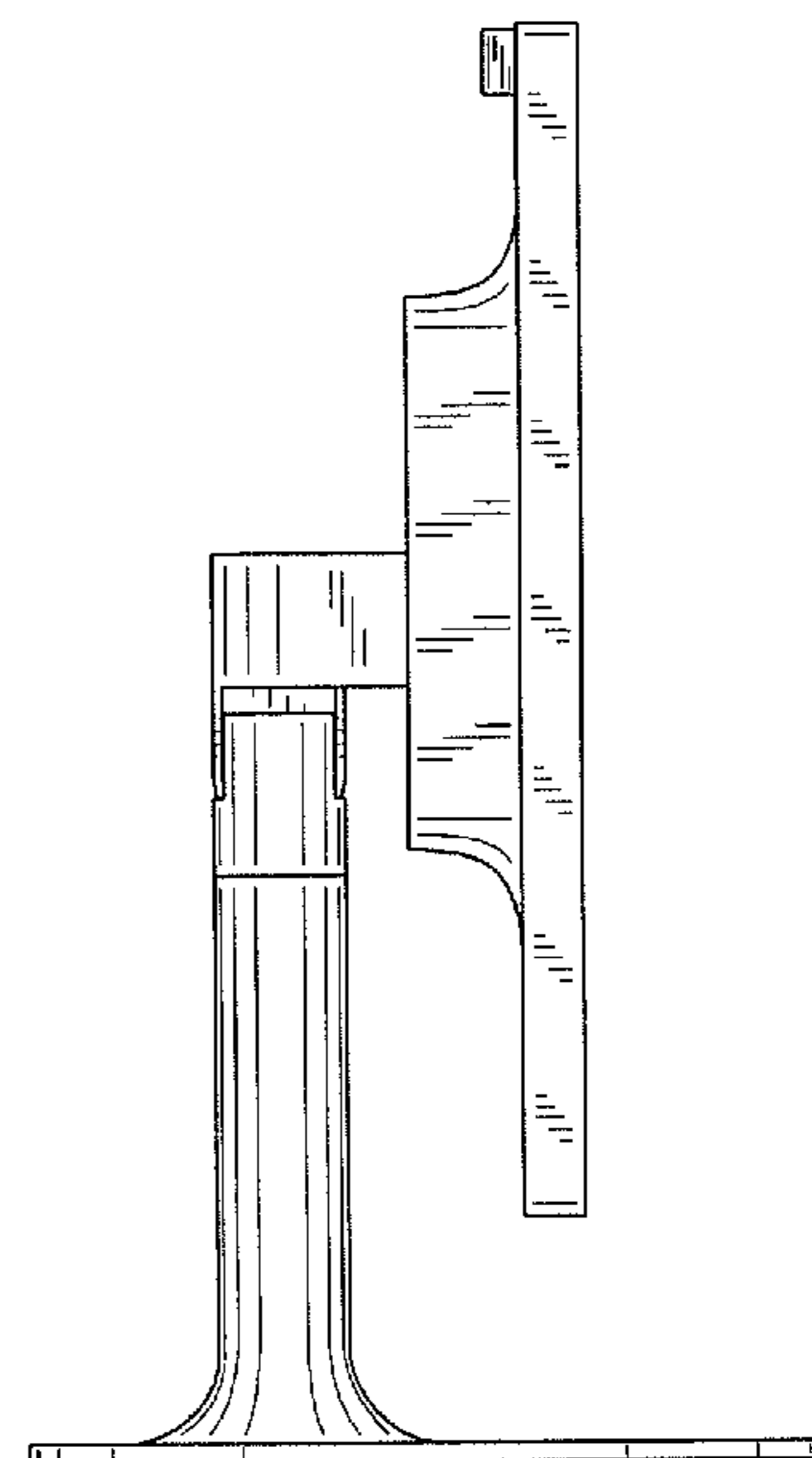
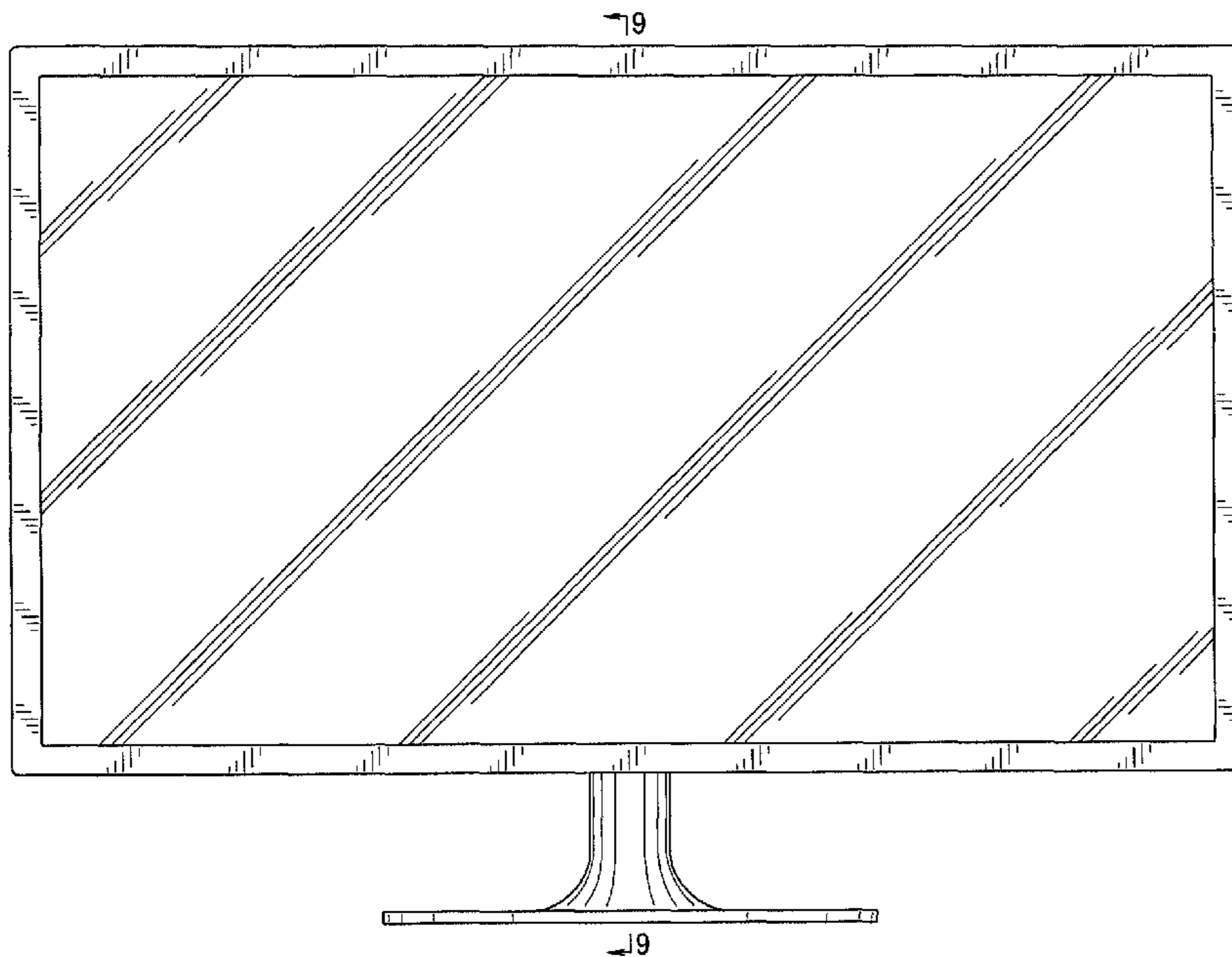
FIG. 6 is a top plan view thereof;

FIG. 7 is a bottom plan view thereof;

FIG. 8 is a rear, left side, top perspective view thereof; and,

FIG. 9 is a cross-sectional view thereof, taken along the line 9—9 of FIG. 2.

**1 Claim, 8 Drawing Sheets**



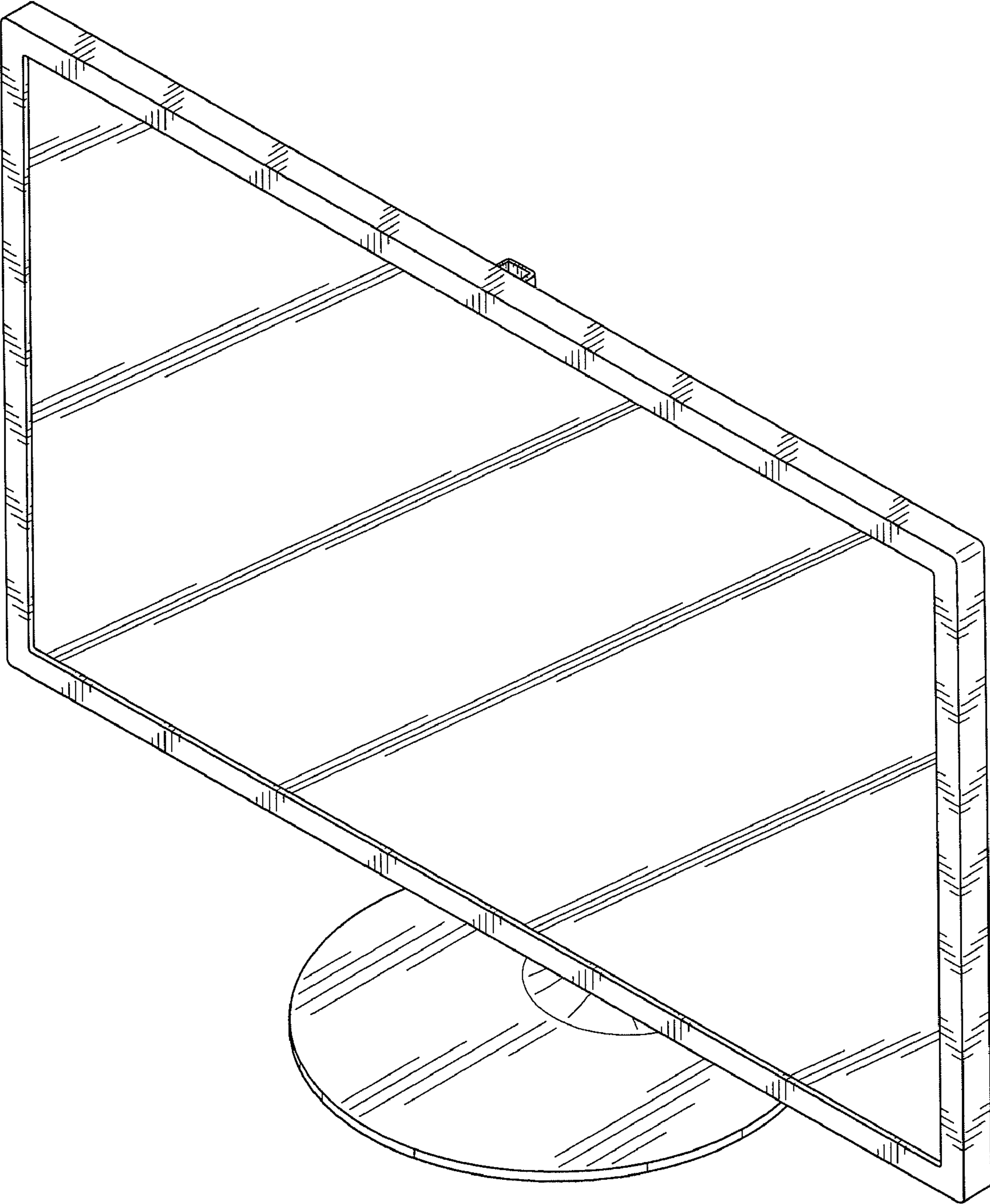


FIG. 1

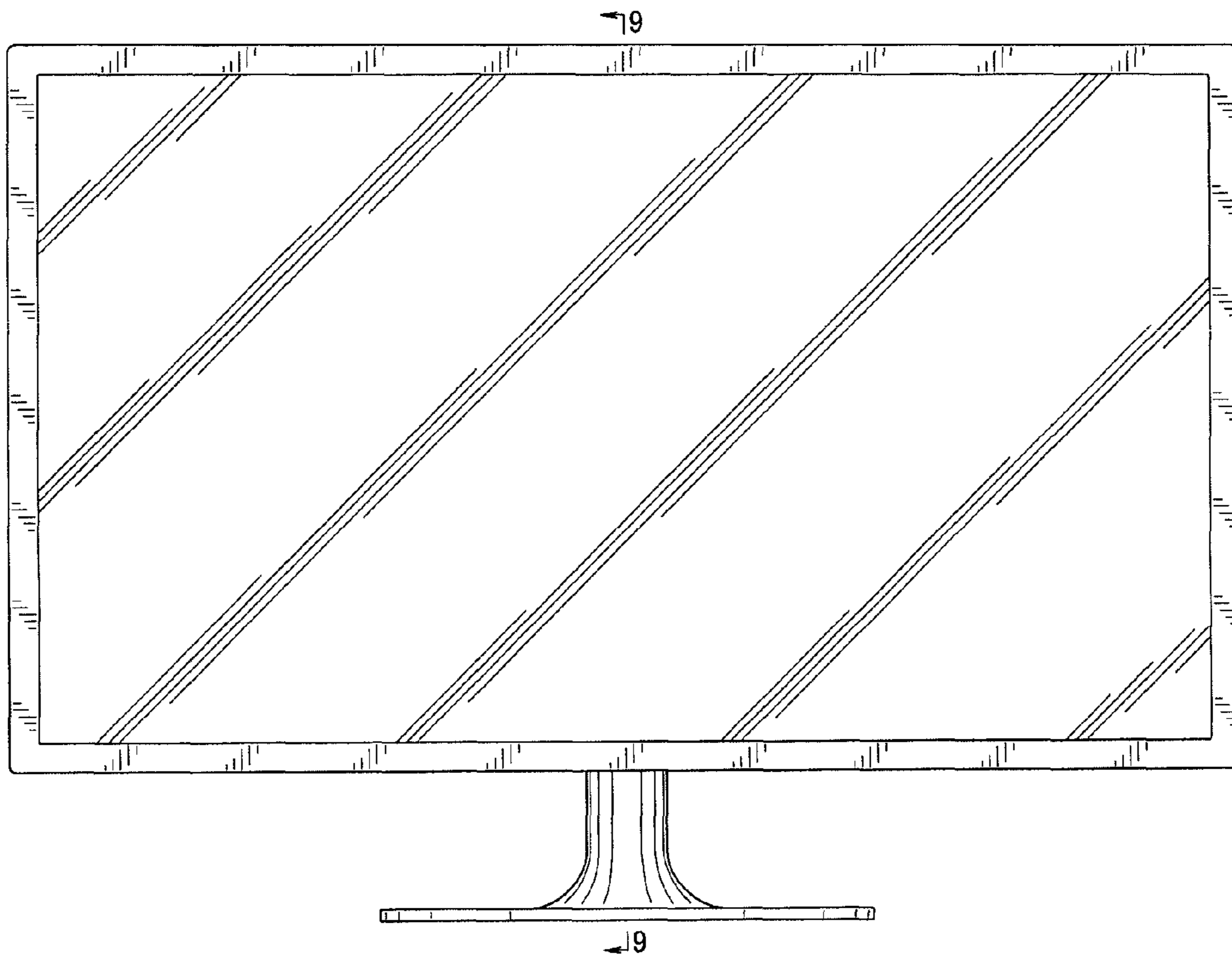


FIG. 2

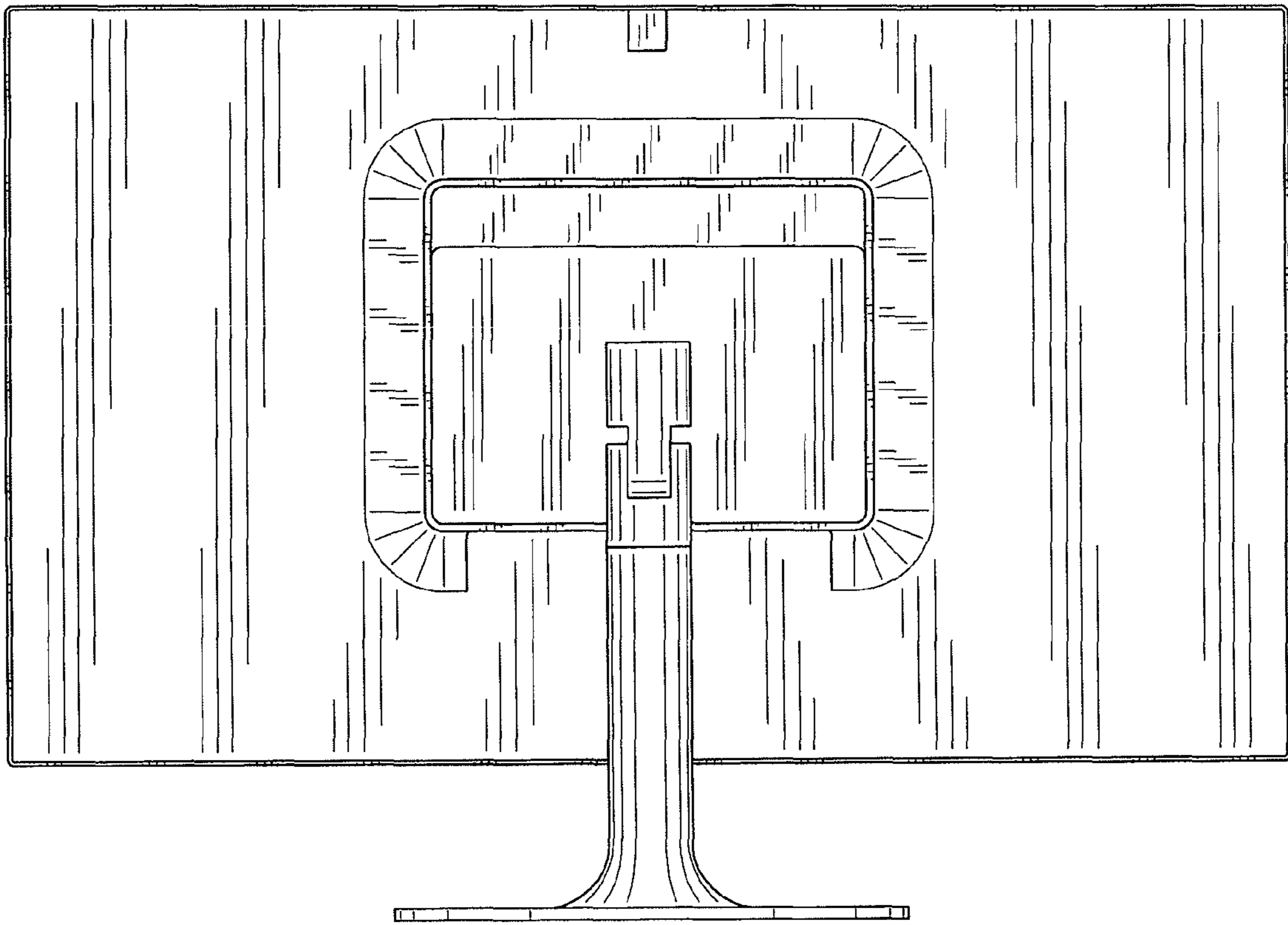
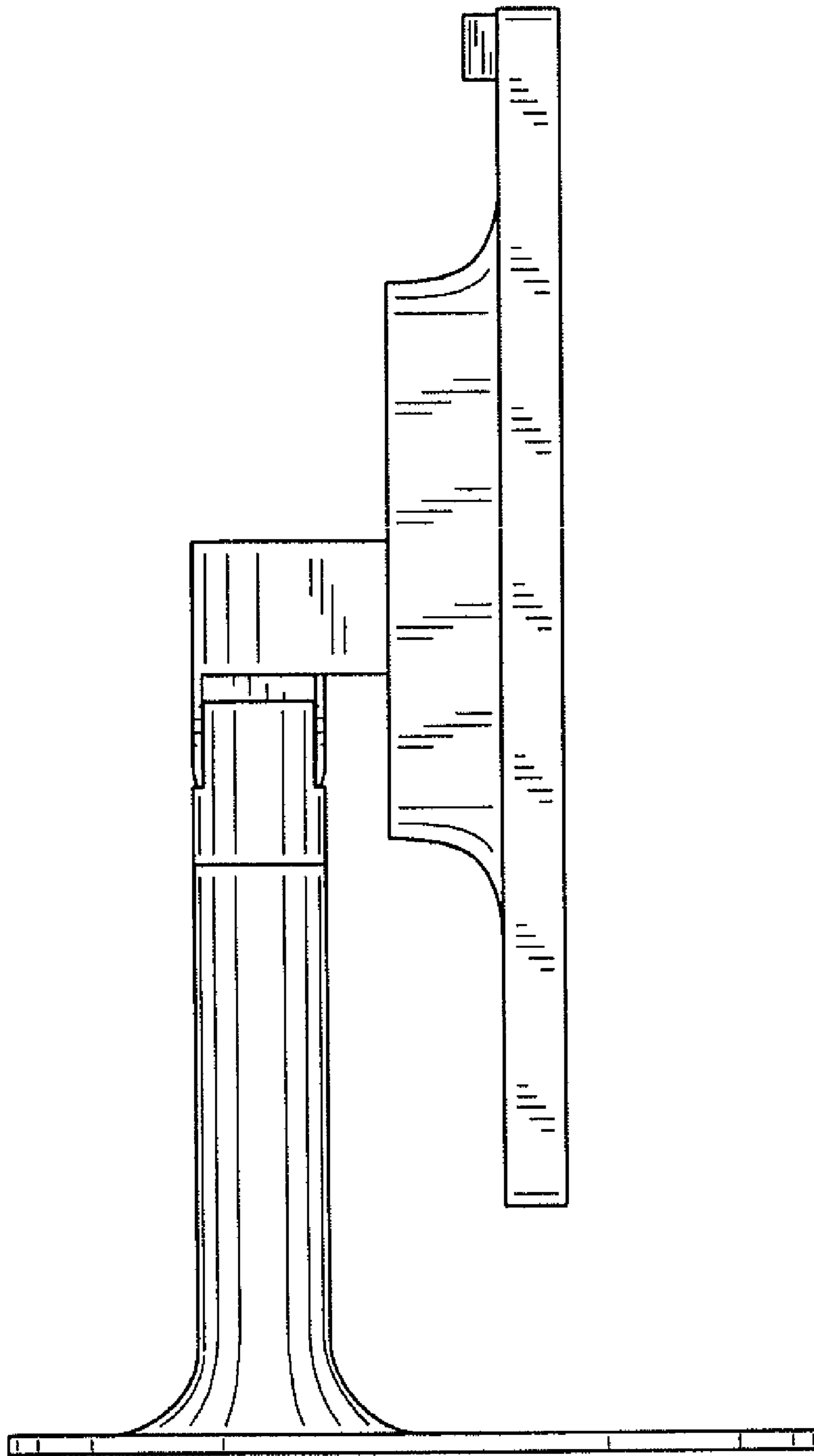
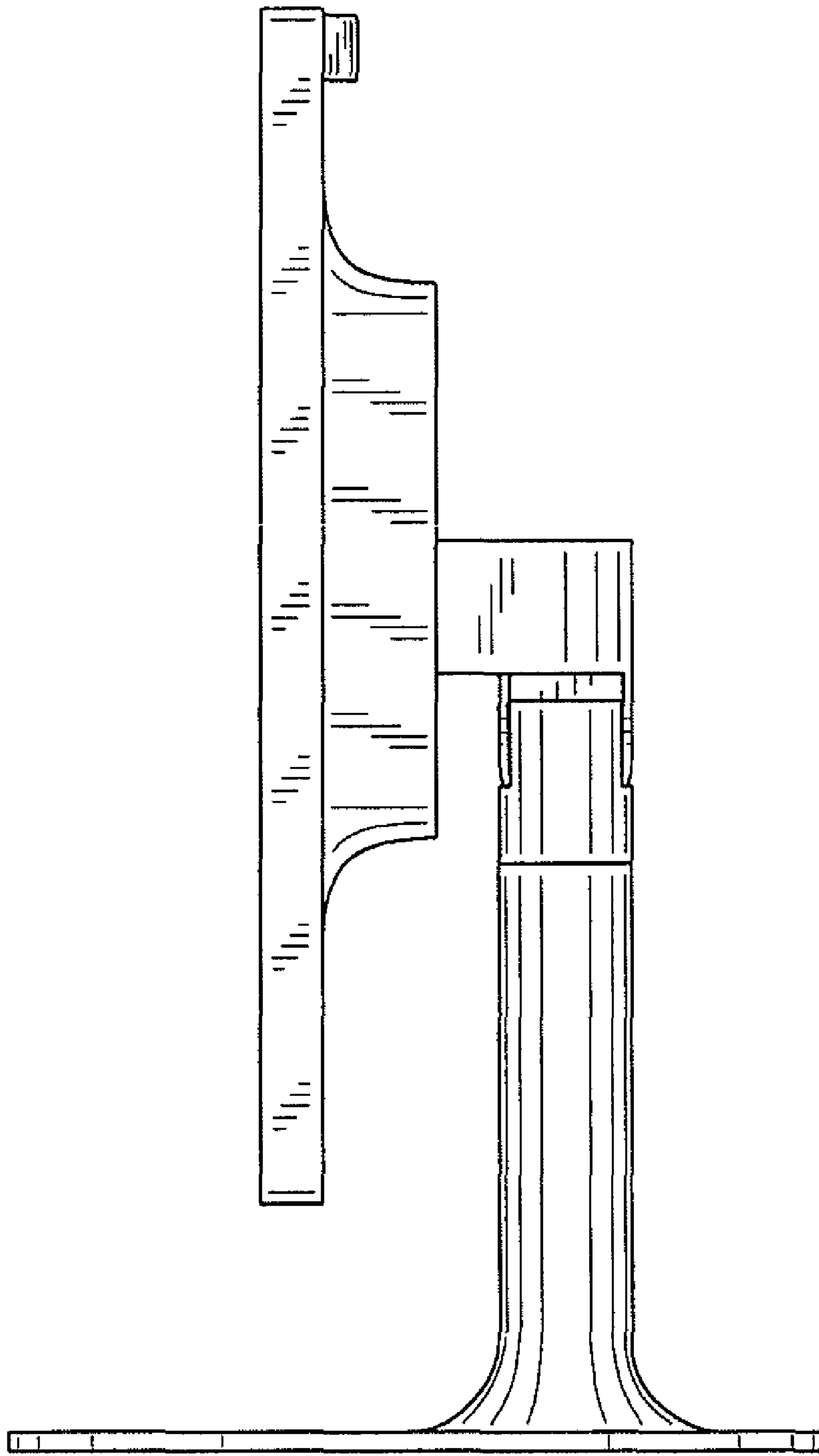


FIG. 3



**FIG. 4**



**FIG. 5**

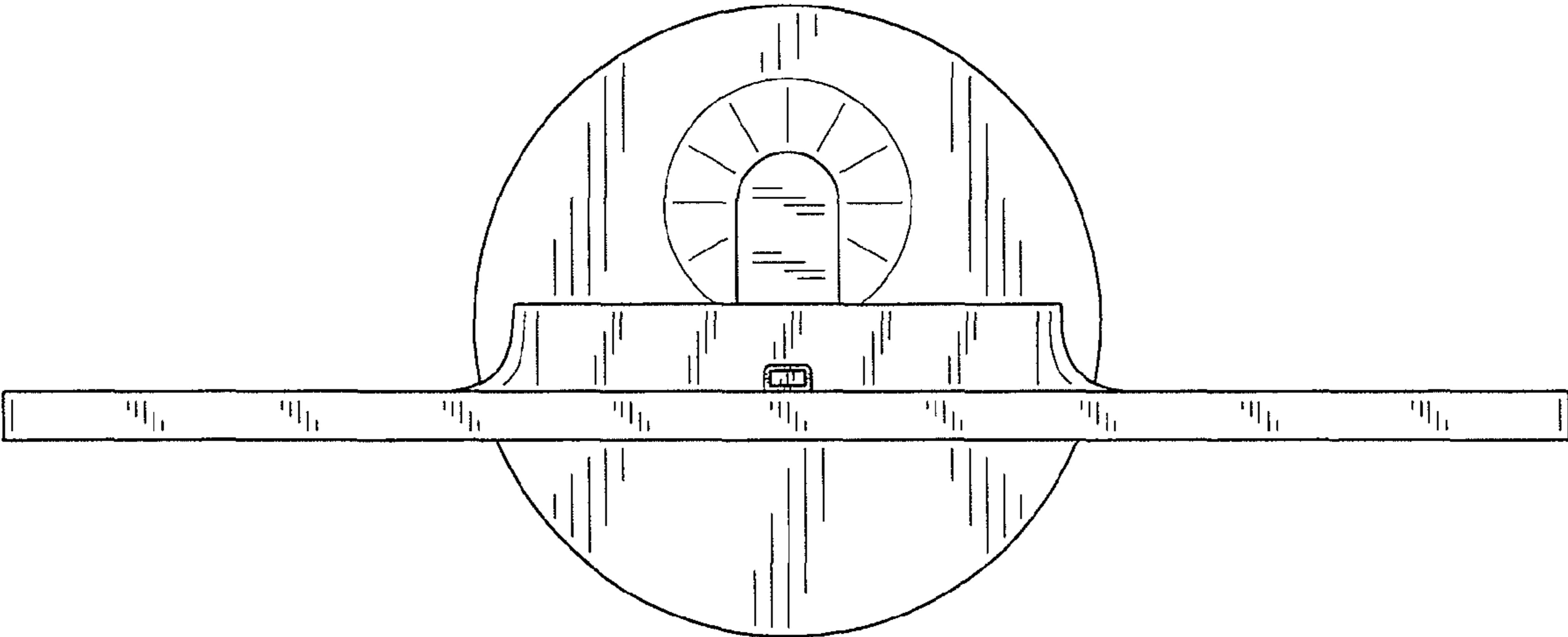


FIG. 6

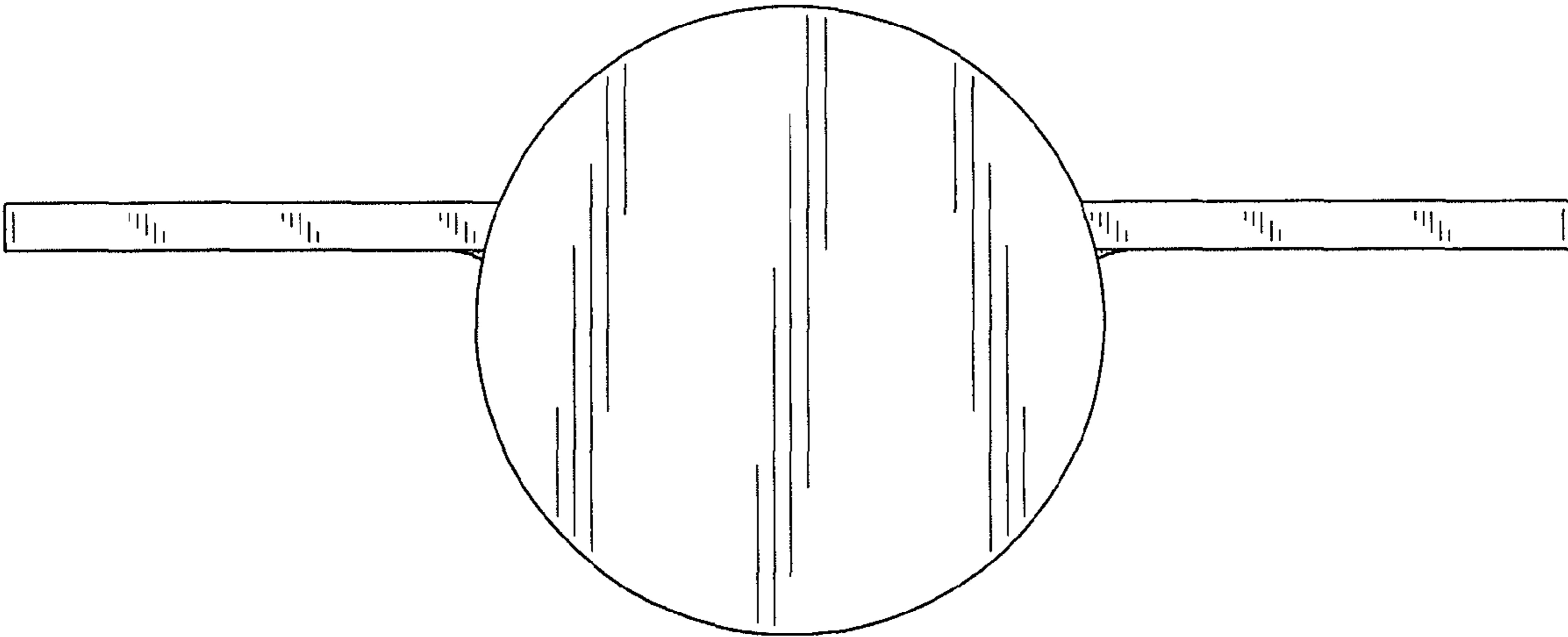


FIG. 7

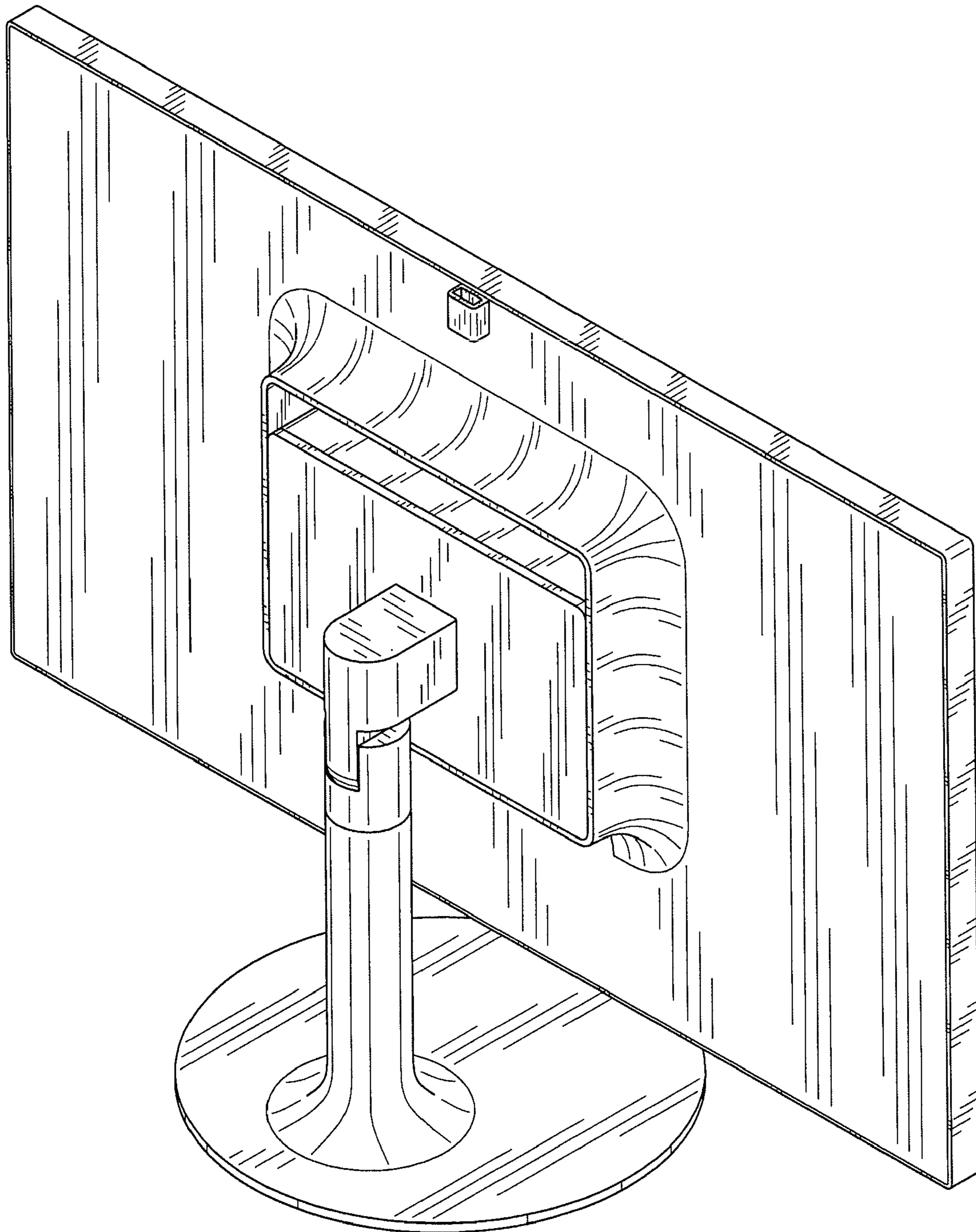
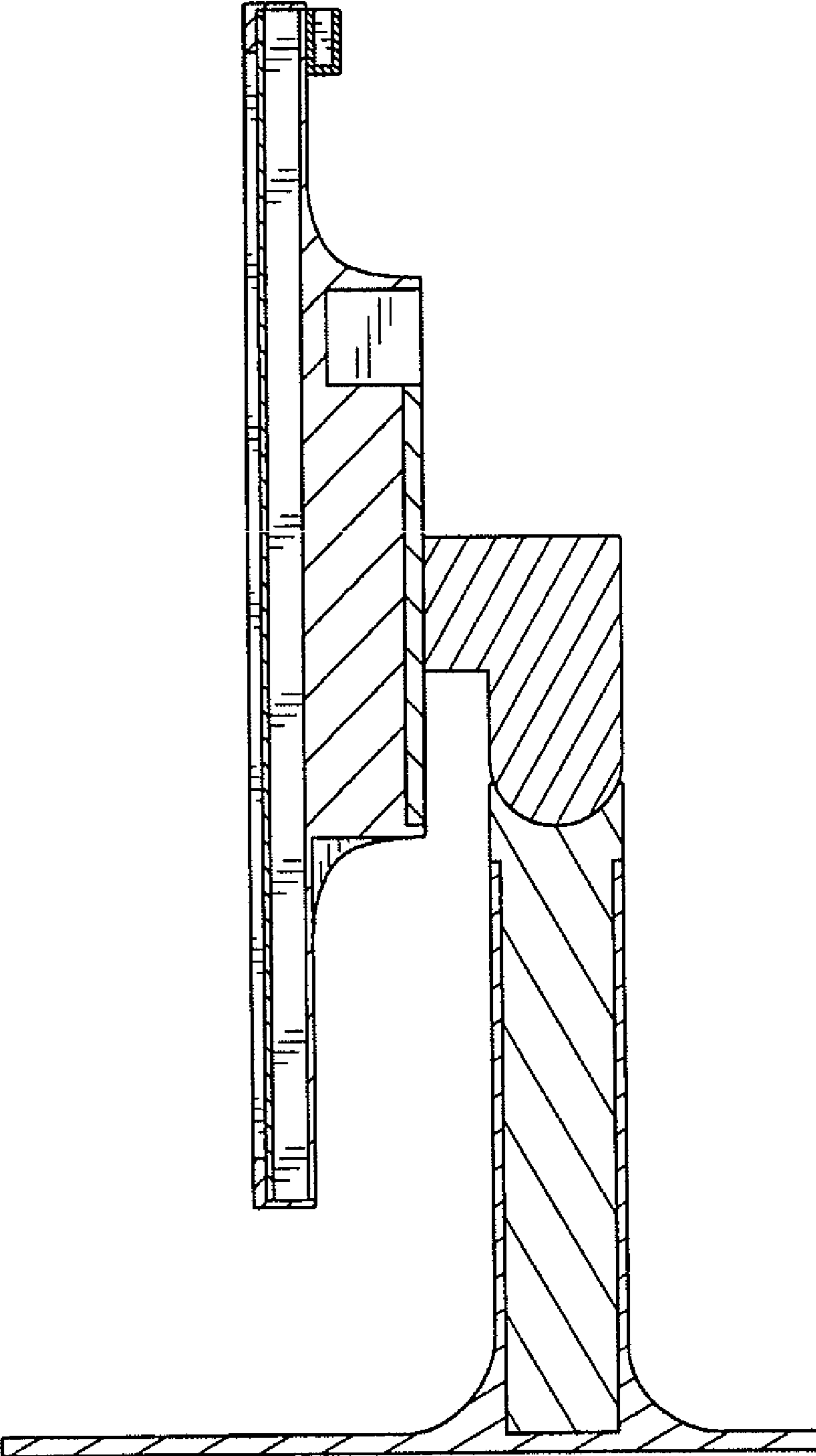


FIG. 8





**FIG. 9**