



US00D624893S

(12) **United States Design Patent**
Kasuga et al.

(10) **Patent No.:** **US D624,893 S**

(45) **Date of Patent:** **** Oct. 5, 2010**

(54) **DISPLAY**

(75) Inventors: **Hiroyuki Kasuga**, Minato-ku (JP);
Yoshihito Mochizuki, Minato-ku (JP);
Hsi-Ming Chen, Minato-ku (JP); **Naoto**
Fukasawa, Shibuya-ku (JP)

(73) Assignee: **NEC Display Solutions, Ltd.**, Tokyo
(JP)

(**) Term: **14 Years**

(21) Appl. No.: **29/358,244**

(22) Filed: **Mar. 24, 2010**

(51) **LOC (9) Cl.** **14-03**

(52) **U.S. Cl.** **D14/126**

(58) **Field of Classification Search** D14/125–134,
D14/239, 371, 136, 374–377, 440, 450, 448,
D14/336, 342; 312/7.2; 348/836, 838, 180,
348/184, 325, 739; 341/12; 248/917–924,
248/465; 345/104, 133, 156, 168, 87, 173;
720/605, 669, 600, 655; 369/99, 197; 455/344,
455/347; D21/329, 515, 577, 622, 333, 433,
D21/448, 452, 450, 331; D6/477, 479, 300;
273/148 B; 446/484, 175, 356; D10/15,
D10/26

See application file for complete search history.

(56) **References Cited**

U.S. PATENT DOCUMENTS

D545,776 S *	7/2007	Kwon	D14/126
D556,159 S *	11/2007	Park et al.	D14/126
D564,990 S *	3/2008	Ueno	D14/126
D596,596 S *	7/2009	Honda	D14/126
D597,975 S *	8/2009	Ohno	D14/126
D606,953 S *	12/2009	Shin et al.	D14/126

2003/0058372 A1* 3/2003 Williams et al. 348/836

* cited by examiner

Primary Examiner—Raphael Barkai

(74) *Attorney, Agent, or Firm*—Sughrue Mion, PLLC

(57) **CLAIM**

The ornamental design for a display, as shown and described.

DESCRIPTION

FIG. 1 is a front, right side, top perspective view of a display showing our new design;

FIG. 2 is a front elevational view thereof;

FIG. 3 is a rear elevational view thereof;

FIG. 4 is a left side view thereof;

FIG. 5 is a right side view thereof;

FIG. 6 is a top plan view thereof;

FIG. 7 is a bottom plan view thereof;

FIG. 8 is a rear, left side, top perspective view thereof;

FIG. 9 is a cross-sectional view thereof, taken along the line 9—9 of FIG. 2;

FIG. 10 is a reference rear perspective view showing a state in which this article is used;

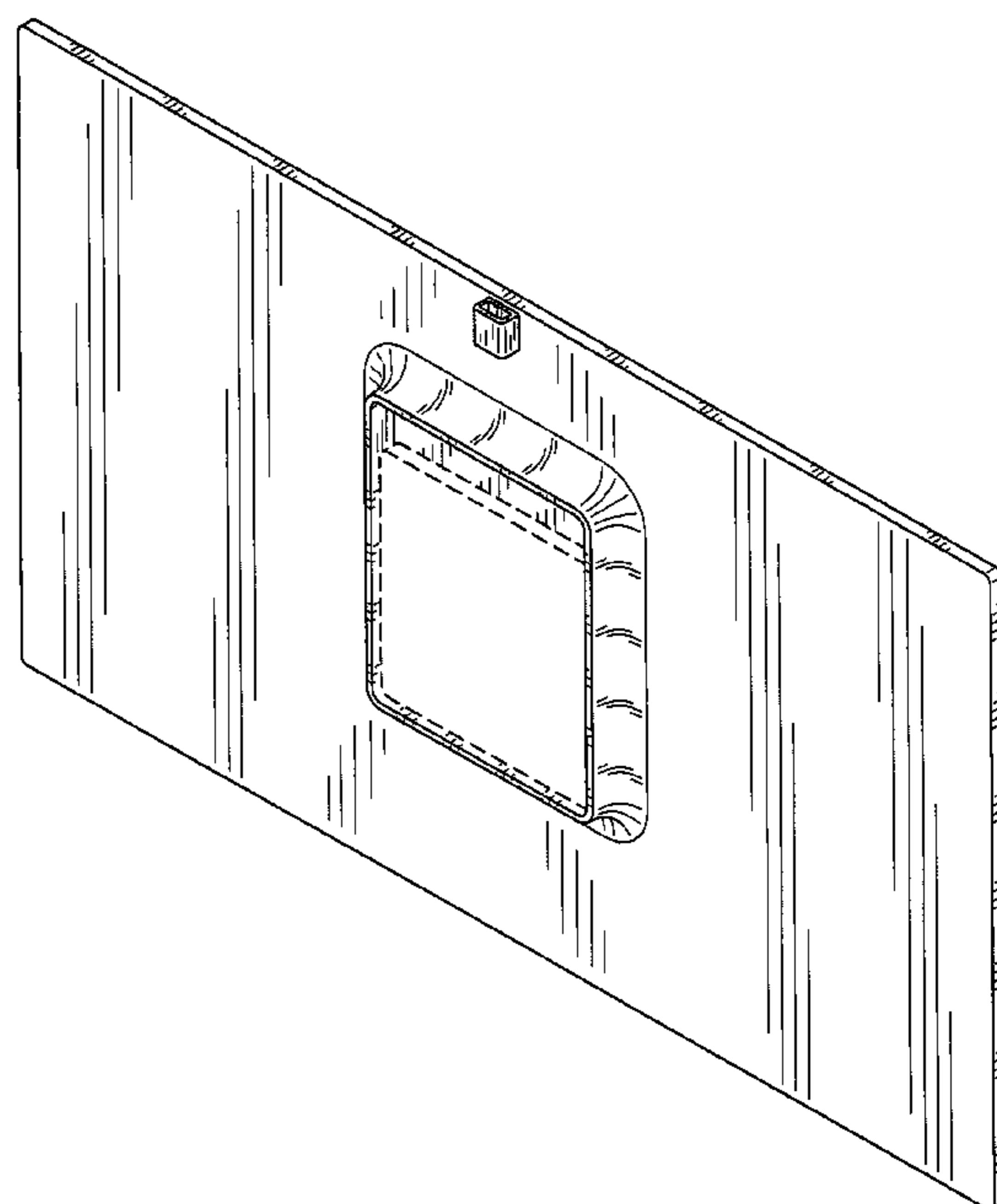
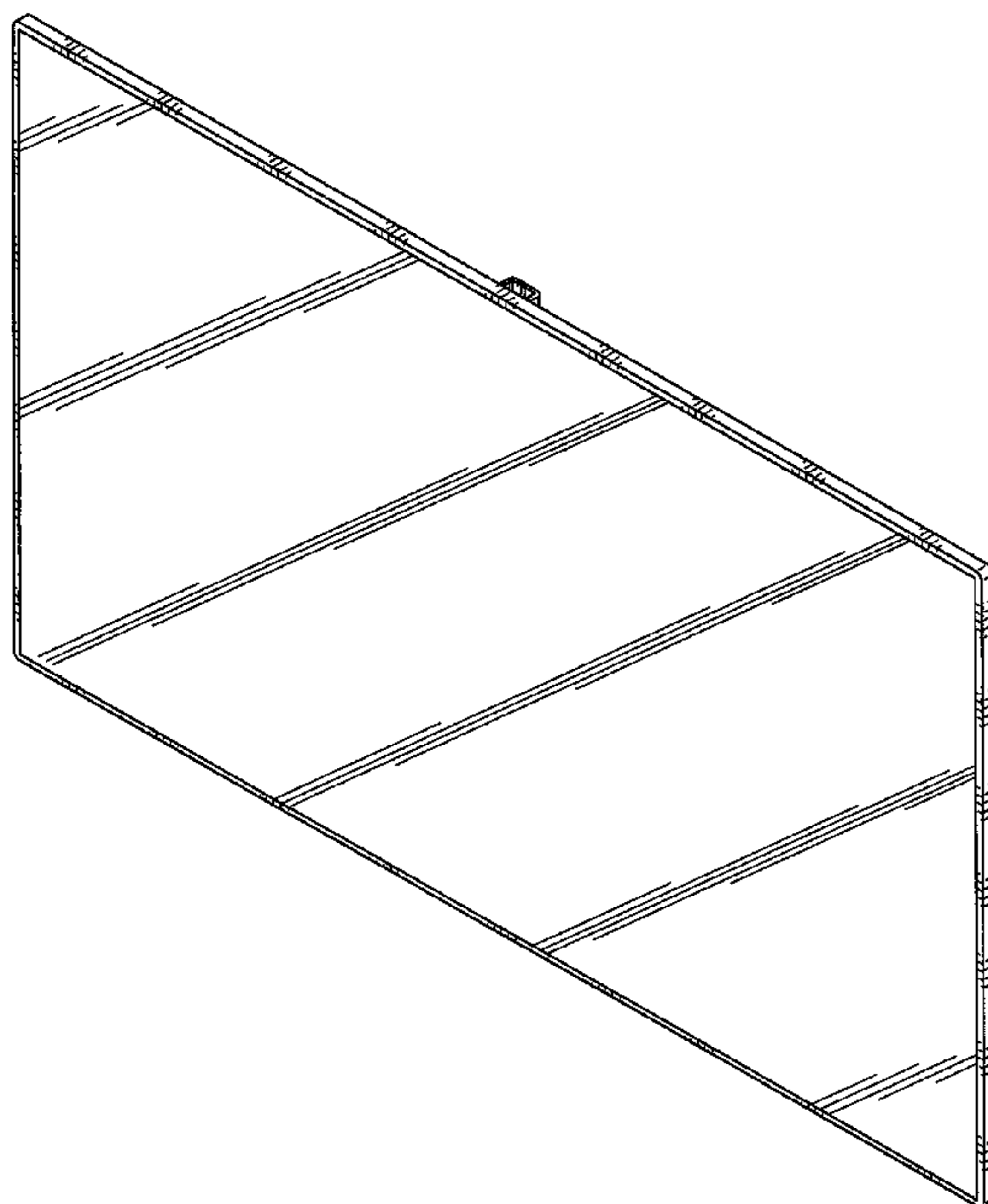
FIG. 11 is a reference perspective view showing a state in which this article is used;

FIG. 12 is a reference rear perspective view showing a state in which this article is used; and,

FIG. 13 is a reference rear perspective view showing a state in which this article is used.

The portions in broken lines are shown for illustrative purposes only and form no part of the claimed design.

1 Claim, 11 Drawing Sheets



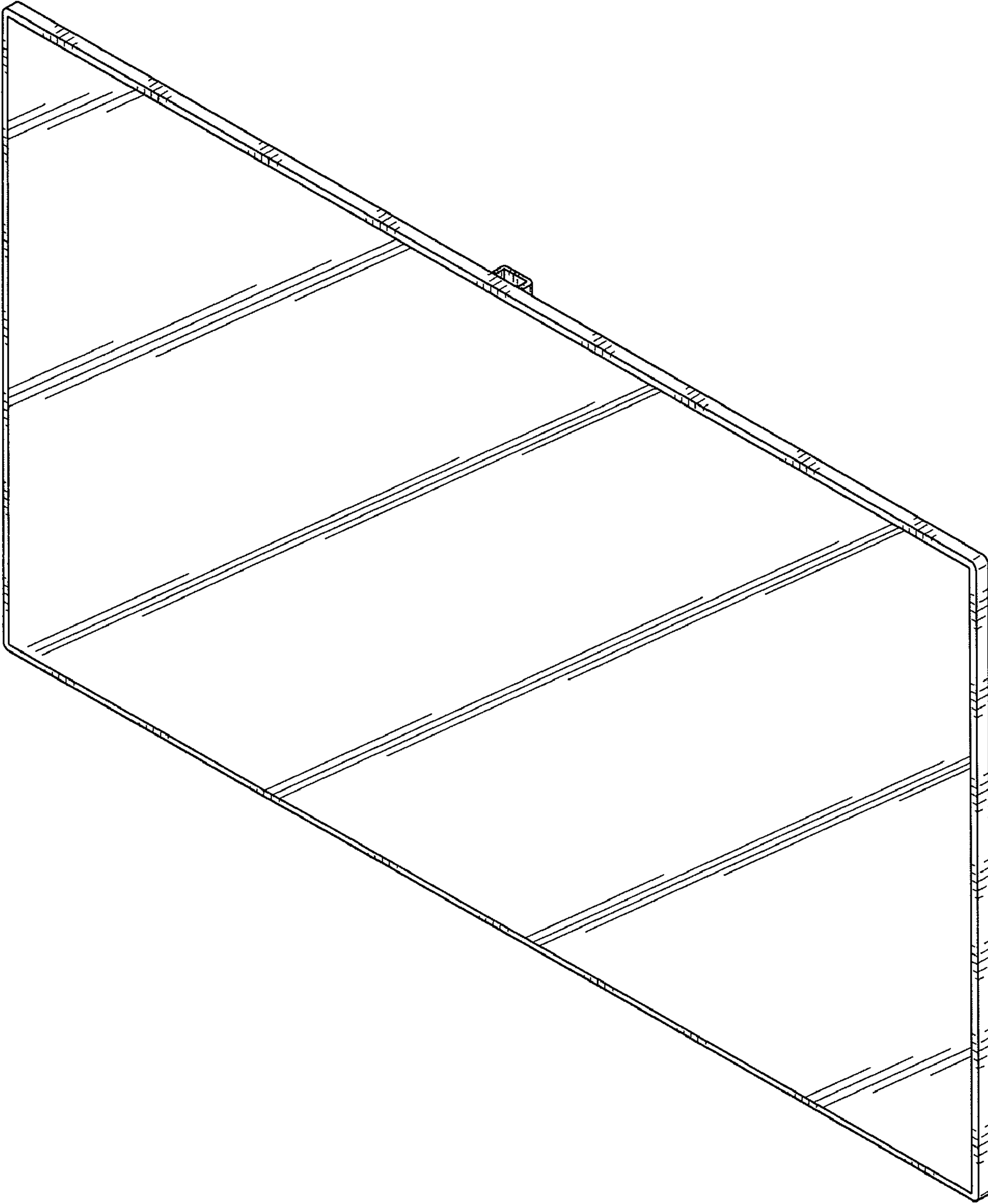


FIG. 1

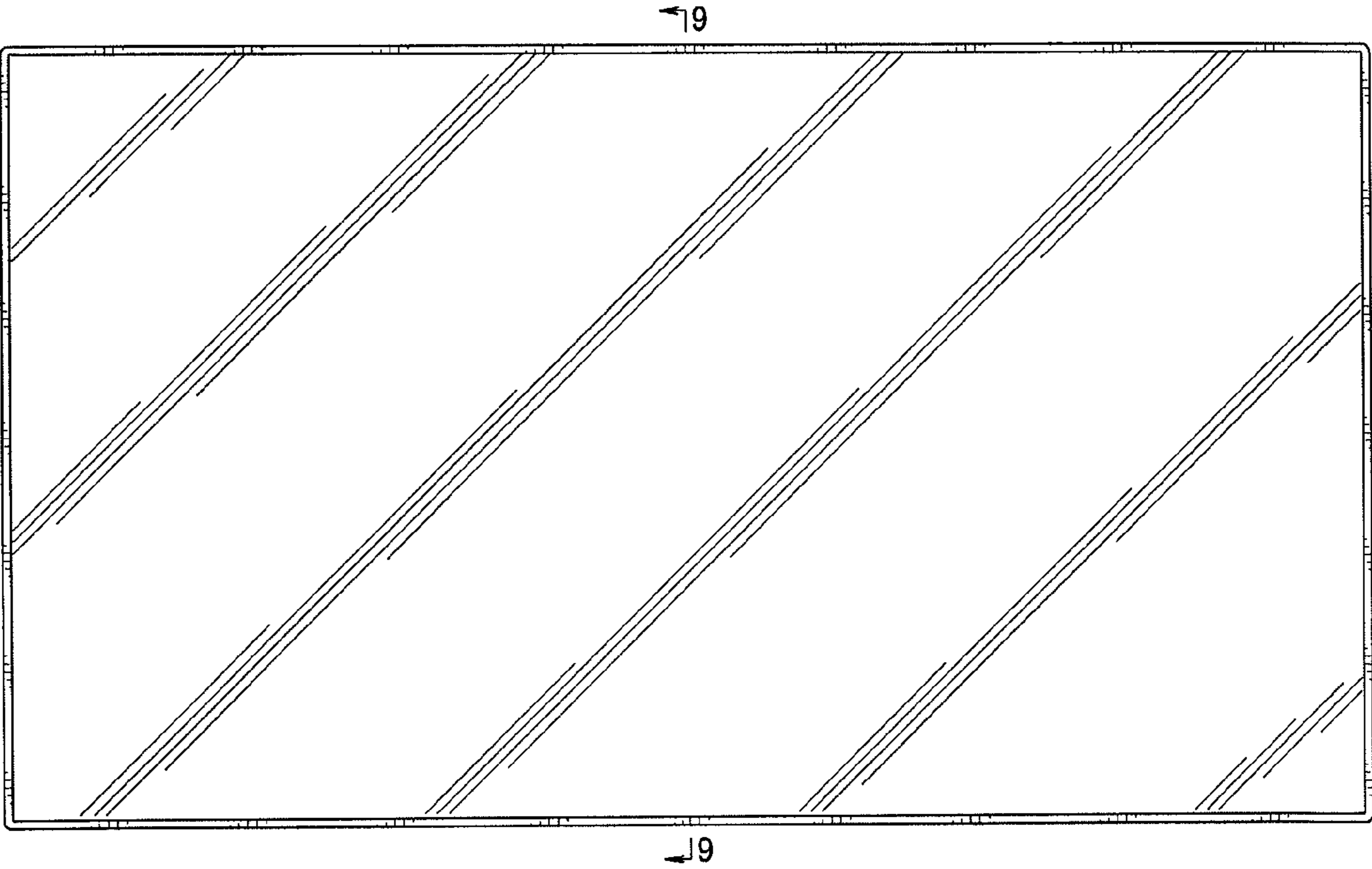


FIG. 2

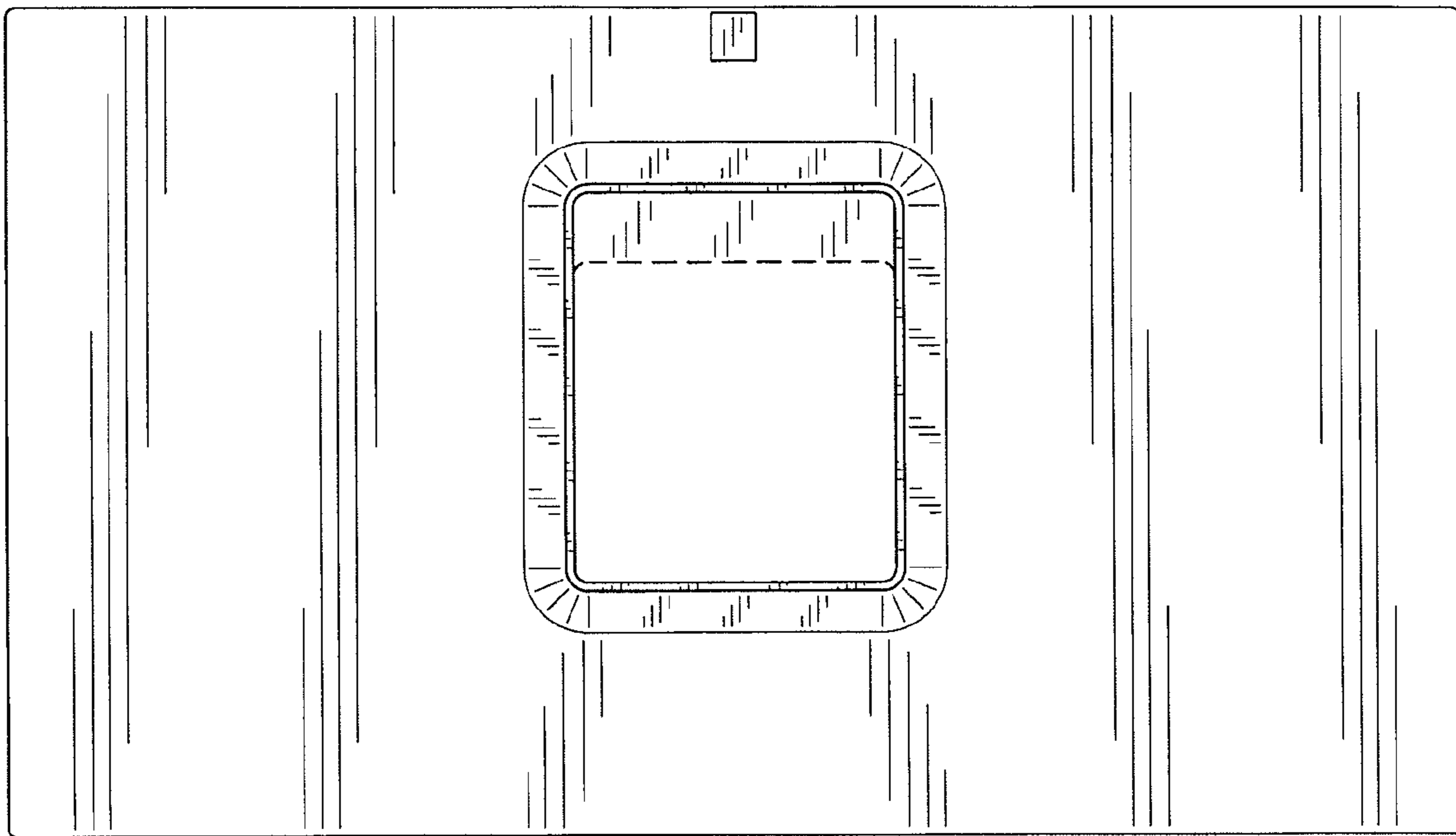


FIG. 3

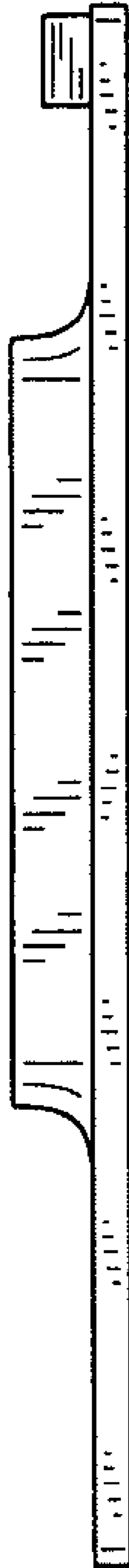


FIG. 4

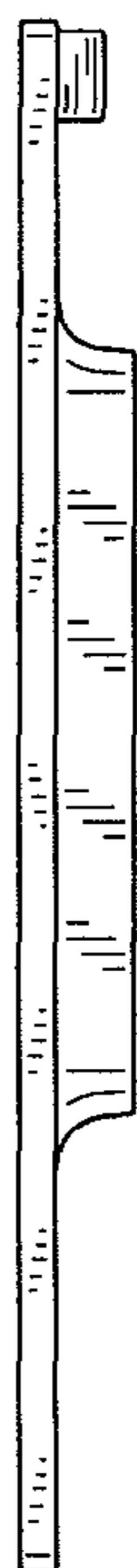


FIG. 5



FIG. 6



FIG. 7

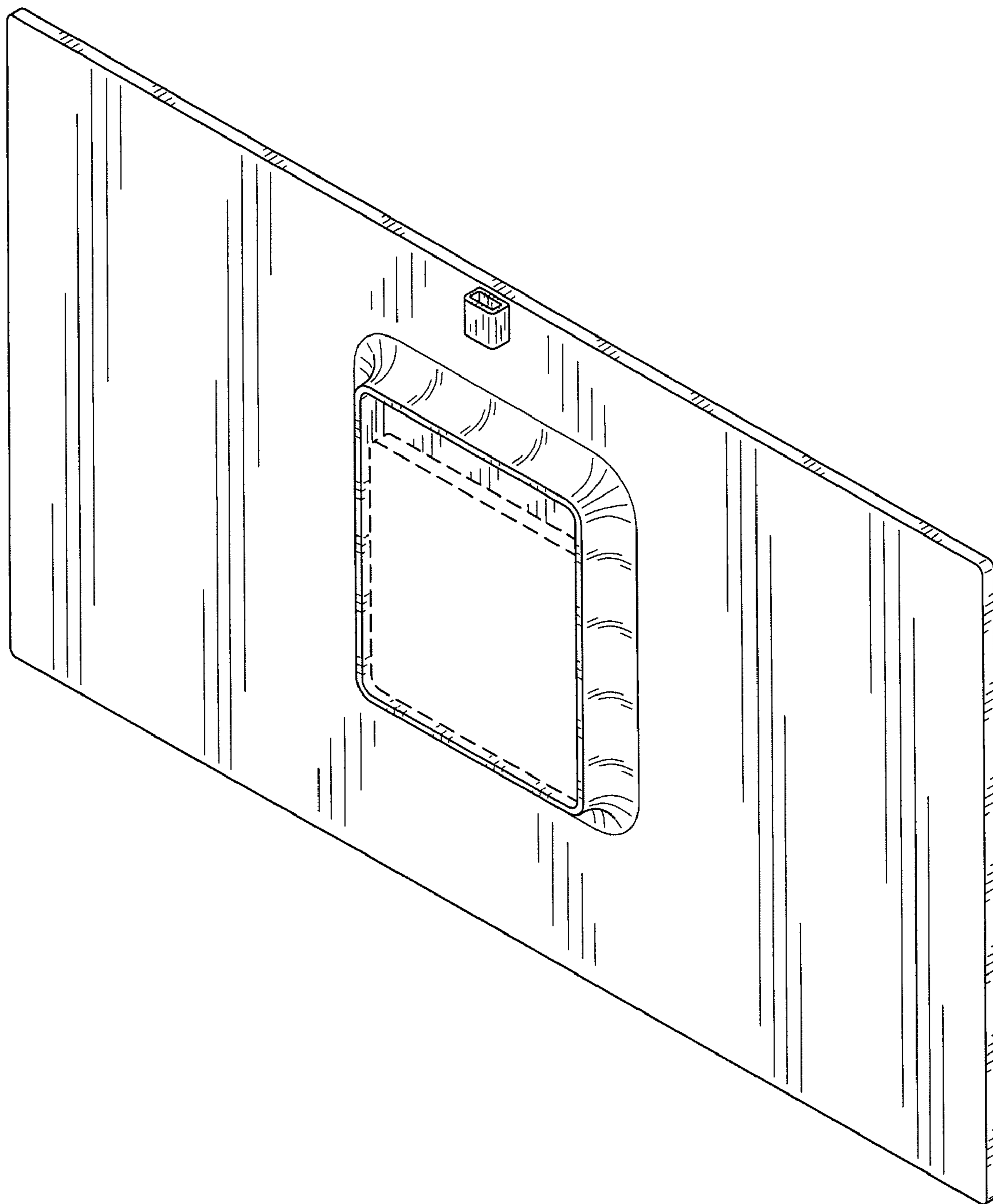


FIG. 8



FIG. 9

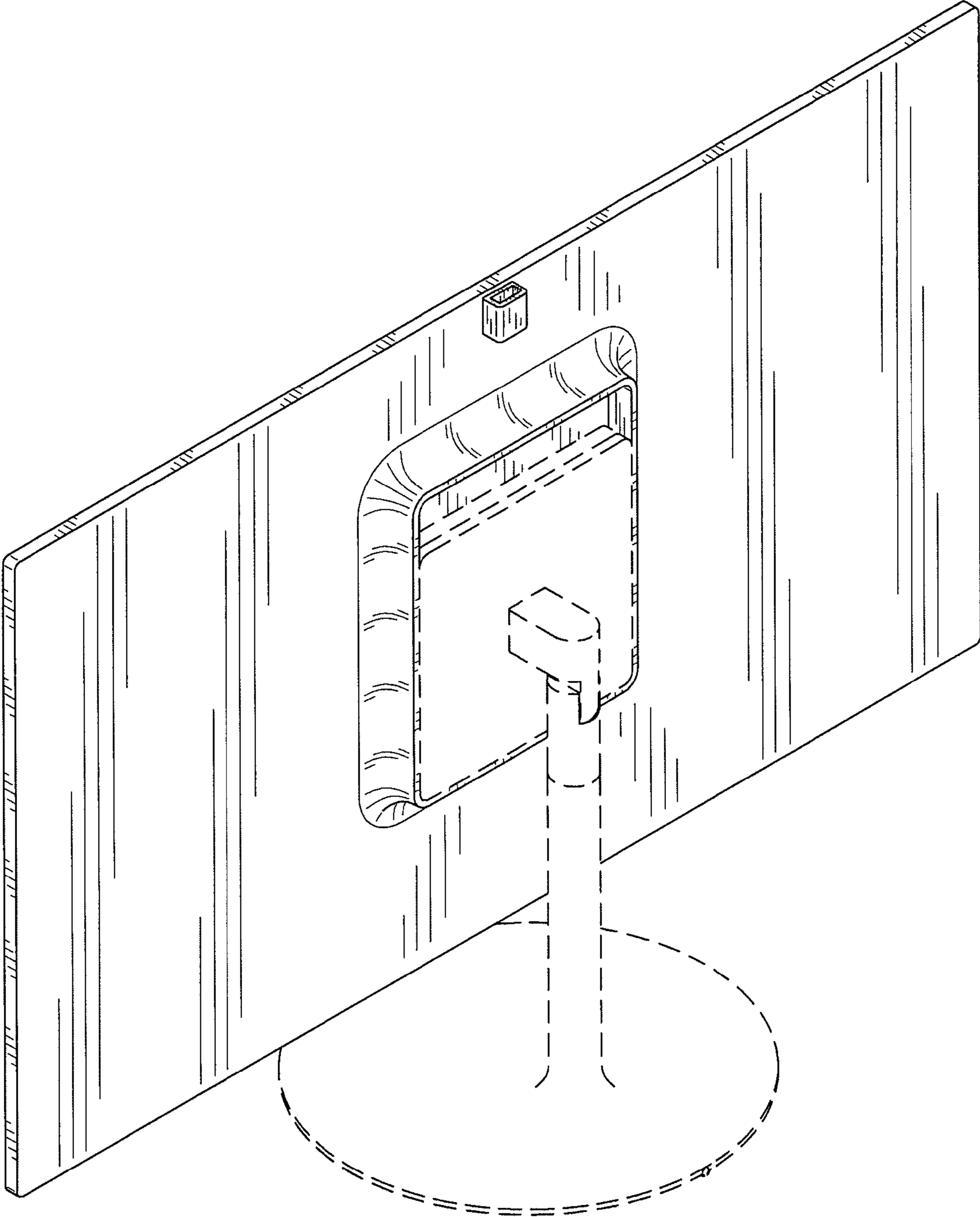


FIG. 10

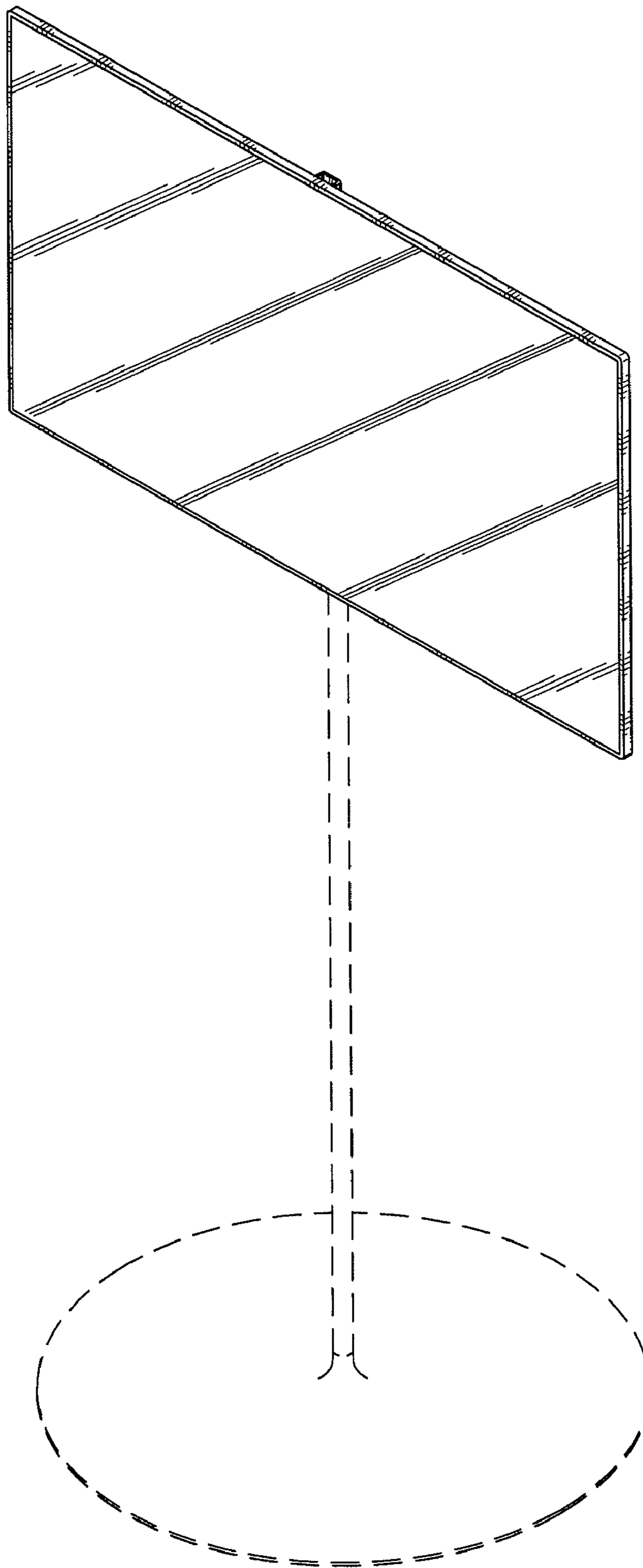


FIG. 11

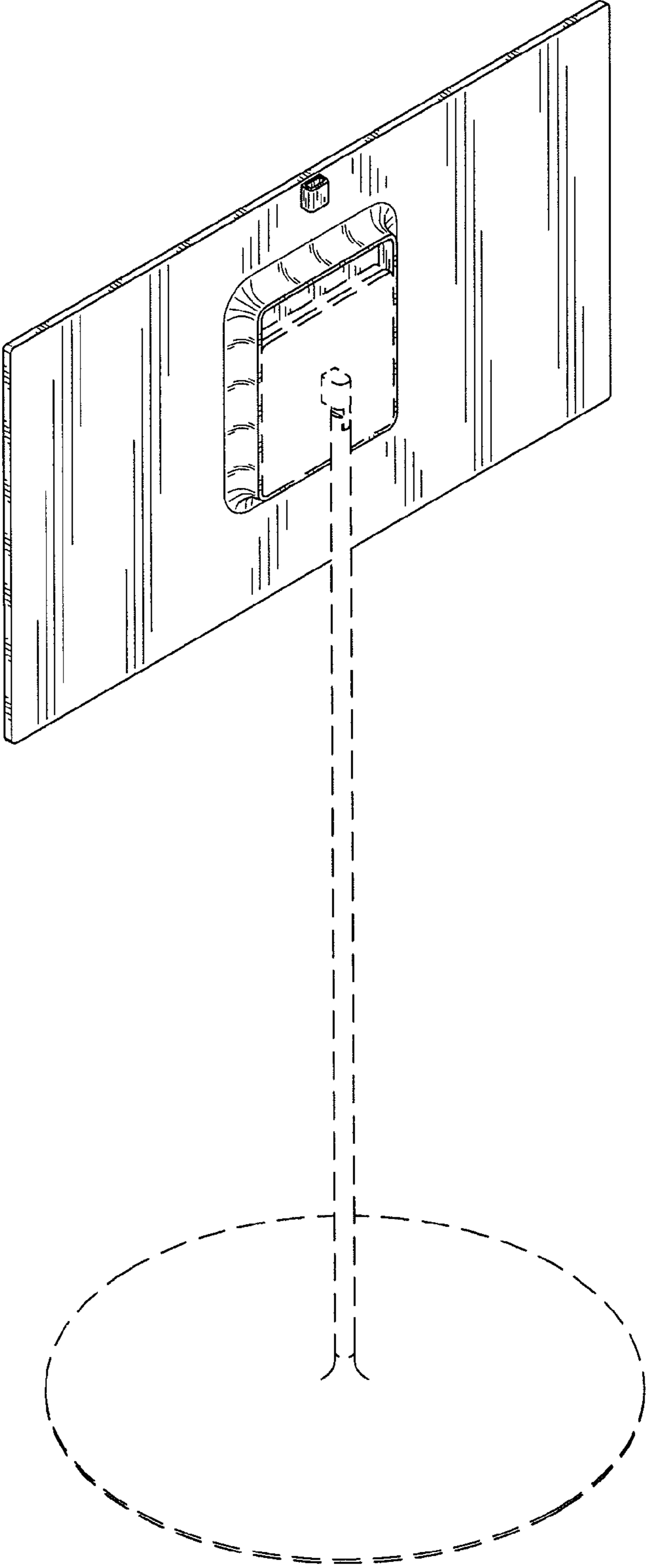


FIG. 12

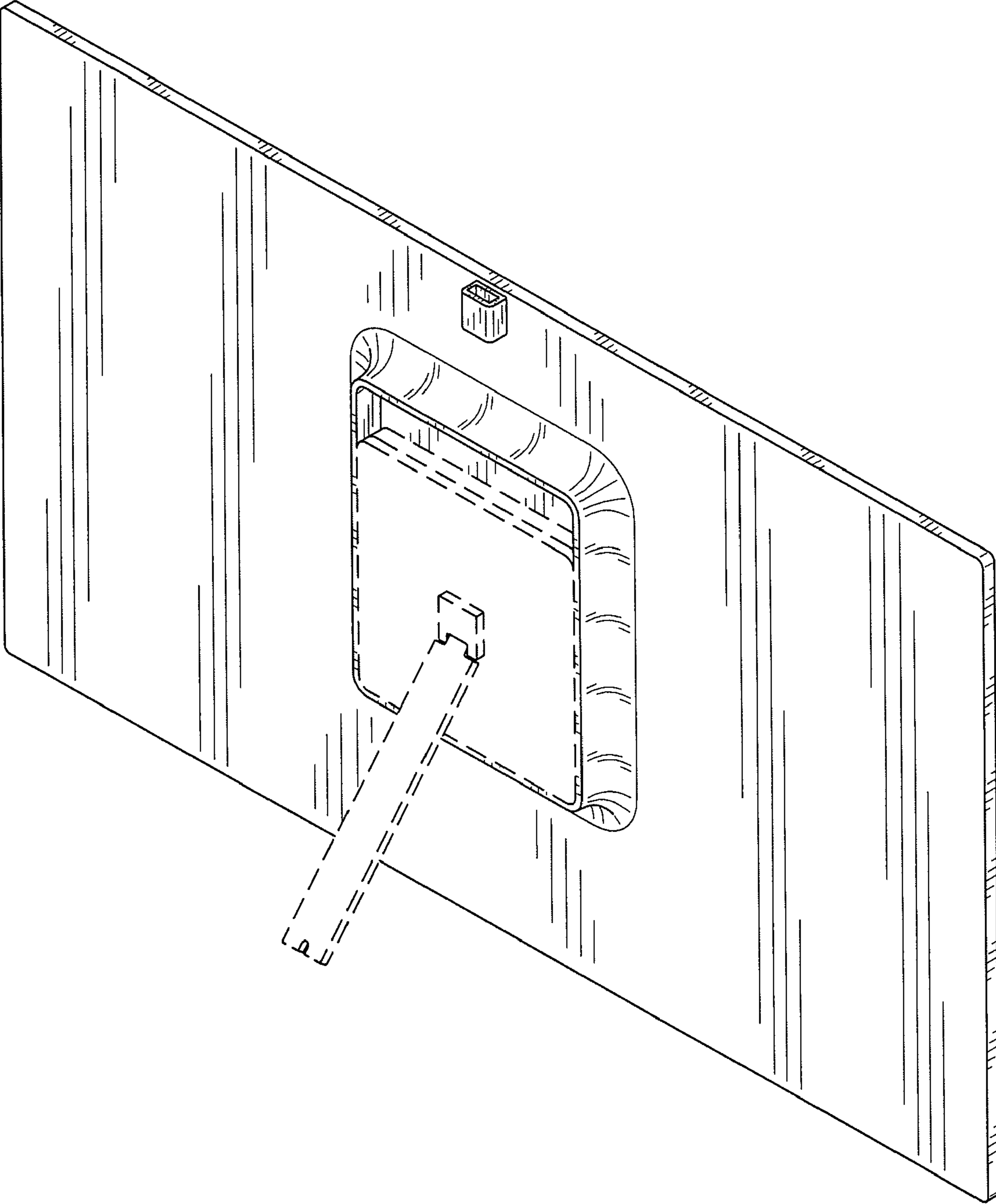


FIG. 13