



US00D624887S

(12) **United States Design Patent**
Takahashi et al.

(10) **Patent No.:** **US D624,887 S**

(45) **Date of Patent:** **** Oct. 5, 2010**

(54) **LIGHT EMITTING DIODE MODULE**

(75) Inventors: **Akimichi Takahashi**, Kanagawa (JP);
Kazuto Morikawa, Kanagawa (JP);
Yusuke Shibahara, Kanagawa (JP);
Kozo Ogawa, Kanagawa (JP)

(73) Assignee: **Toshiba Lighting & Technology Corporation**, Kanagawa (JP)

(**) Term: **14 Years**

(21) Appl. No.: **29/358,967**

(22) Filed: **Apr. 2, 2010**

(30) **Foreign Application Priority Data**

Oct. 9, 2009 (JP) 2009-023660

(51) **LOC (9) Cl.** **13-03**

(52) **U.S. Cl.** **D13/180**

(58) **Field of Classification Search** D13/180;
D26/1, 2; 257/79, 80, 81, 88, 89, 95, 98,
257/99, 100, E33.058; 313/483, 498, 500;
362/555, 800

See application file for complete search history.

(56) **References Cited**

U.S. PATENT DOCUMENTS

6,885,034 B1 * 4/2005 Schoenfeld 257/98
D515,043 S * 2/2006 Ishizaka et al. D13/180
D524,260 S * 7/2006 Ishizaka et al. D13/180
D573,553 S * 7/2008 Uemoto et al. D13/180
D576,576 S * 9/2008 Shida et al. D13/180
D578,671 S * 10/2008 Kanayama et al. D26/1
D587,220 S * 2/2009 Yasuoka et al. D13/180

D591,248 S * 4/2009 Imai et al. D13/180
D592,615 S * 5/2009 Imai et al. D13/180
D607,420 S * 1/2010 Imai et al. D13/180
D615,052 S * 5/2010 Imai et al. D13/180
D618,635 S * 6/2010 Imai et al. D13/180
2004/0201987 A1 * 10/2004 Omata 362/230
2009/0135581 A1 * 5/2009 Yano et al. 362/84

FOREIGN PATENT DOCUMENTS

JP D1339025 9/2008
JP D1339026 9/2008
JP D1363679 6/2009

* cited by examiner

Primary Examiner—Selina Sikder

(74) *Attorney, Agent, or Firm*—J.C. Patents

(57) **CLAIM**

The ornamental design for a light emitting diode module, as shown and described.

DESCRIPTION

FIG. 1 is a perspective view of a light emitting diode module showing the new design;

FIG. 2 is a front view thereof;

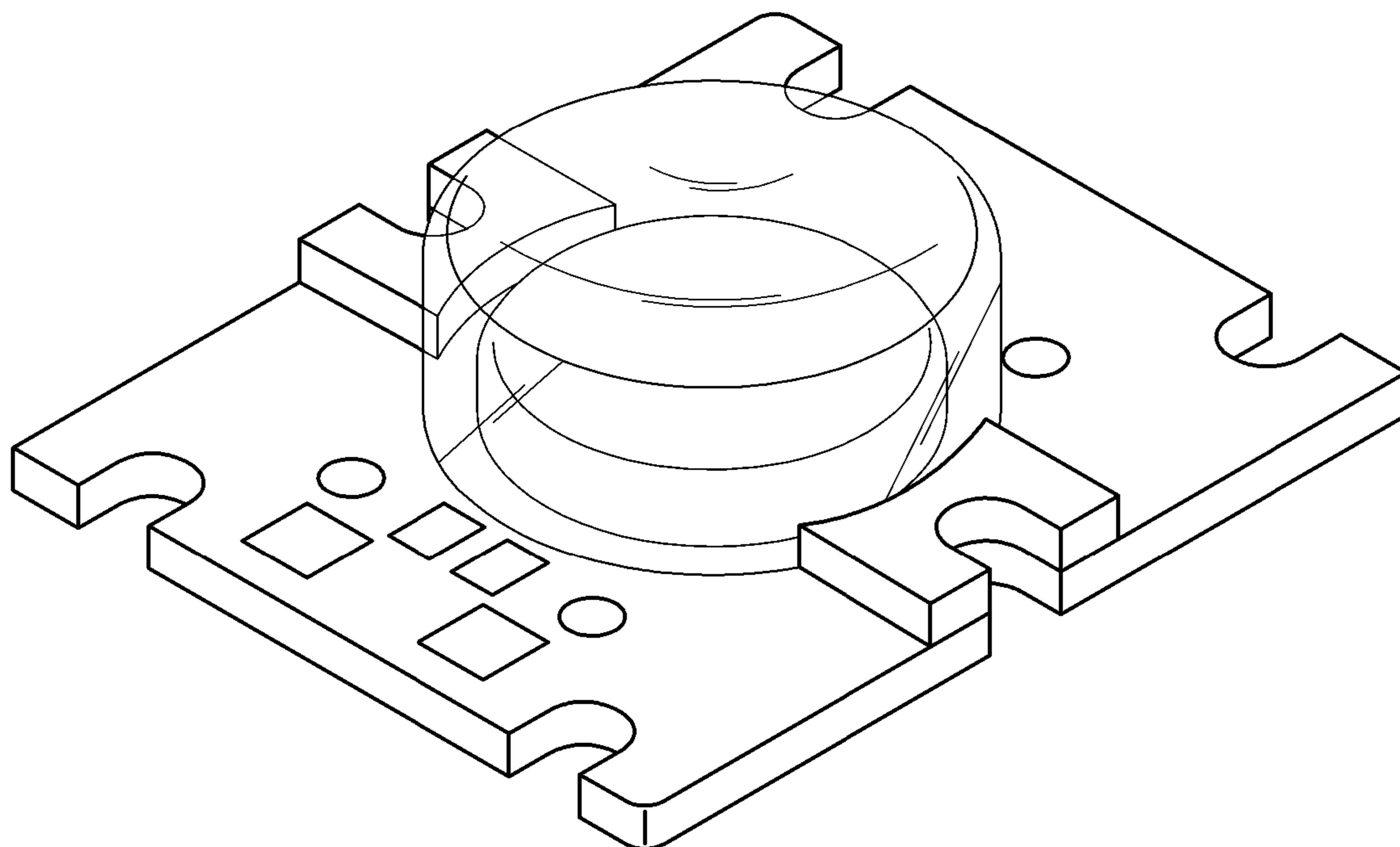
FIG. 3 is a rear view thereof;

FIG. 4 is a right side view thereof; and,

FIG. 5 is a top view thereof.

A left side view and a bottom view of the light emitting diode module are omitted since the left side view and the bottom view are respectively symmetrical with the right side view and the top view.

1 Claim, 4 Drawing Sheets



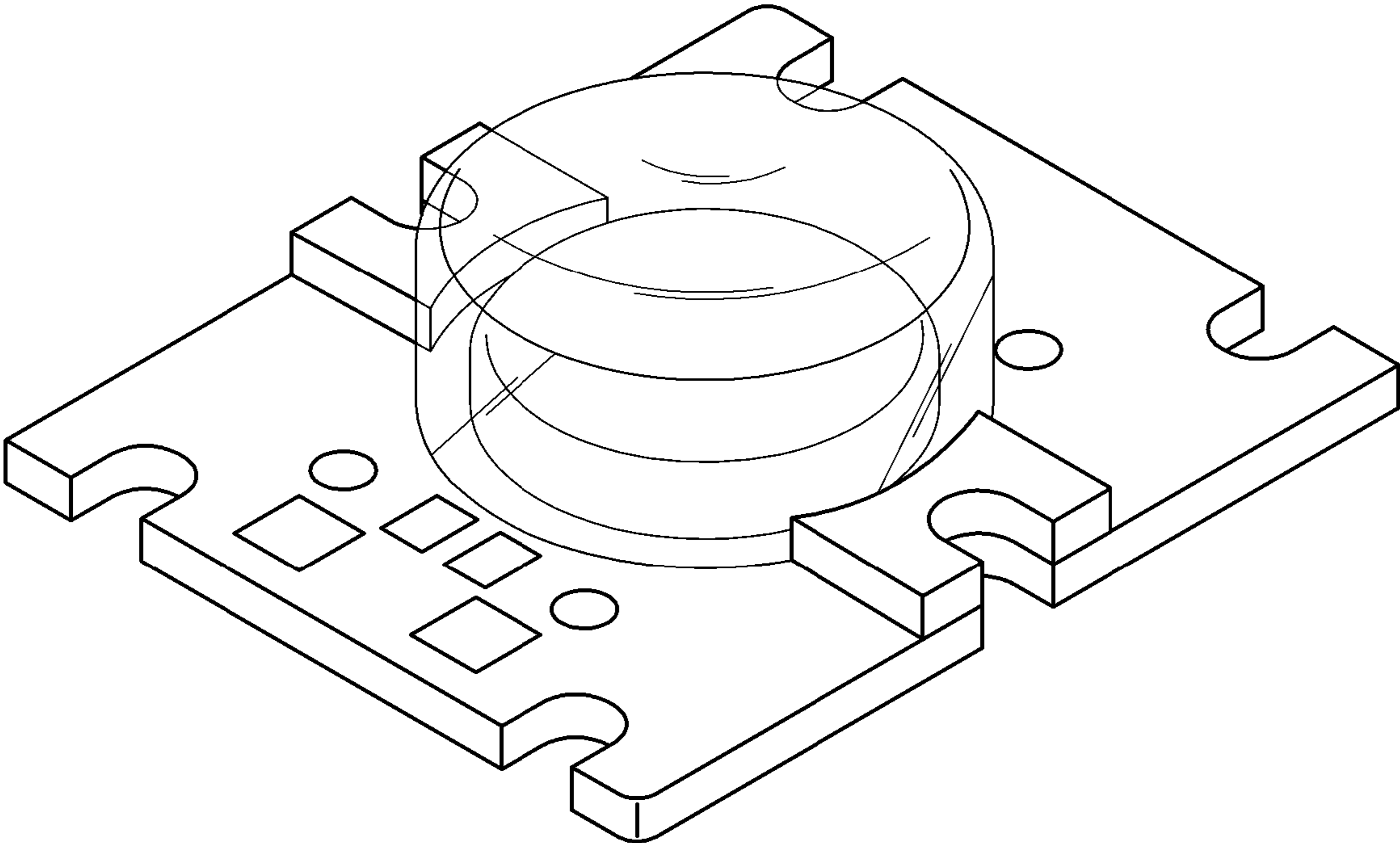


FIG. 1

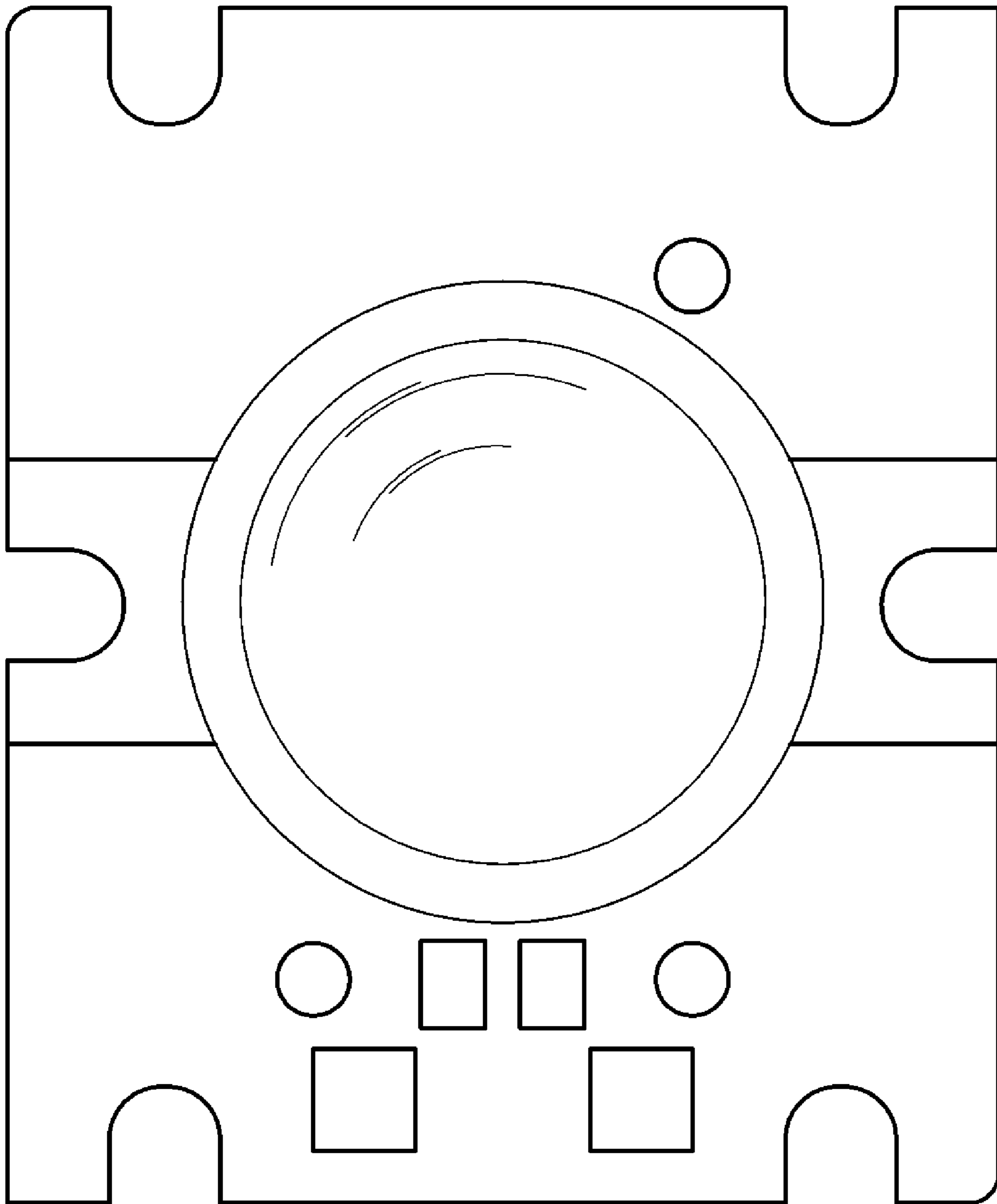


FIG. 2

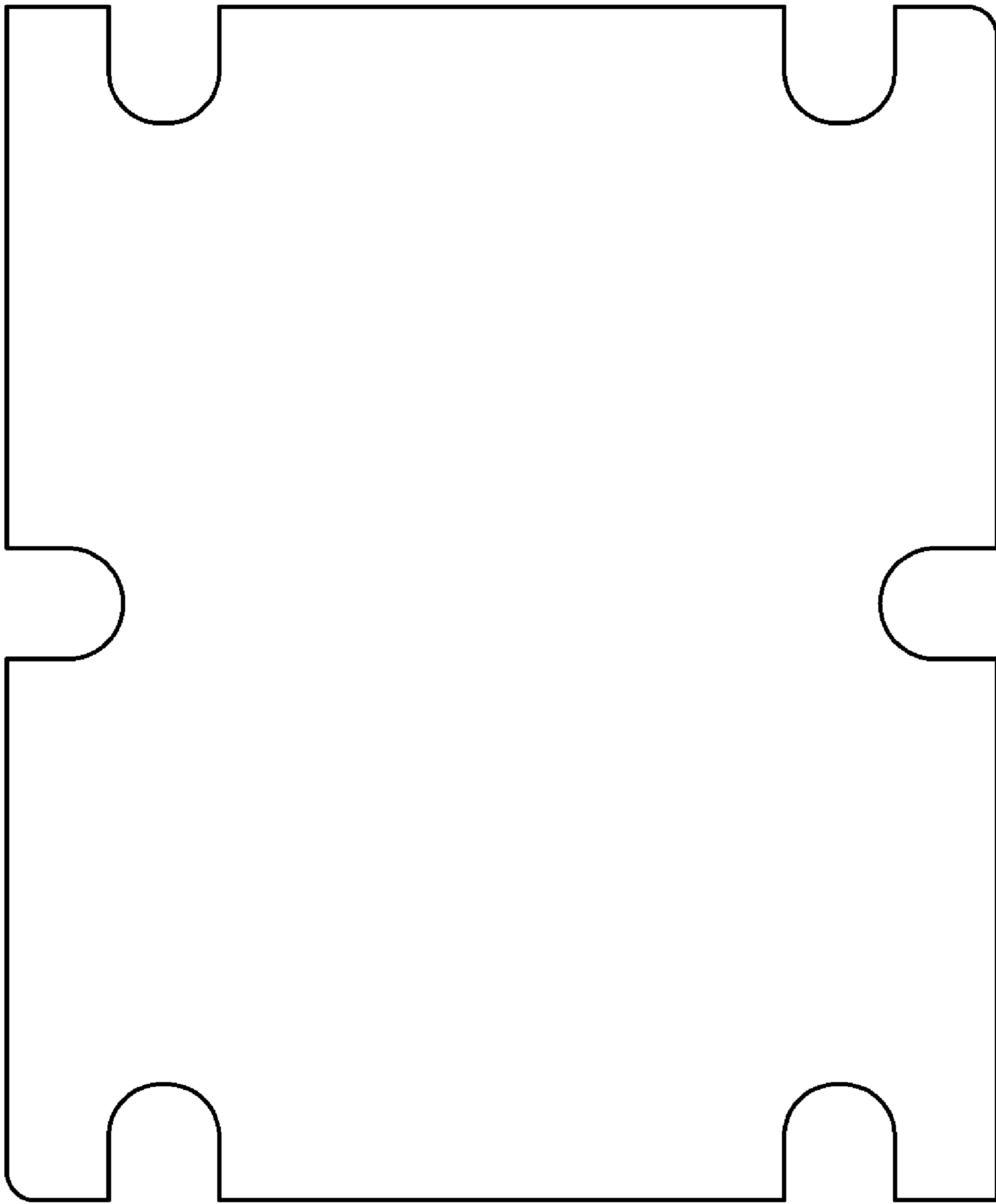


FIG. 3

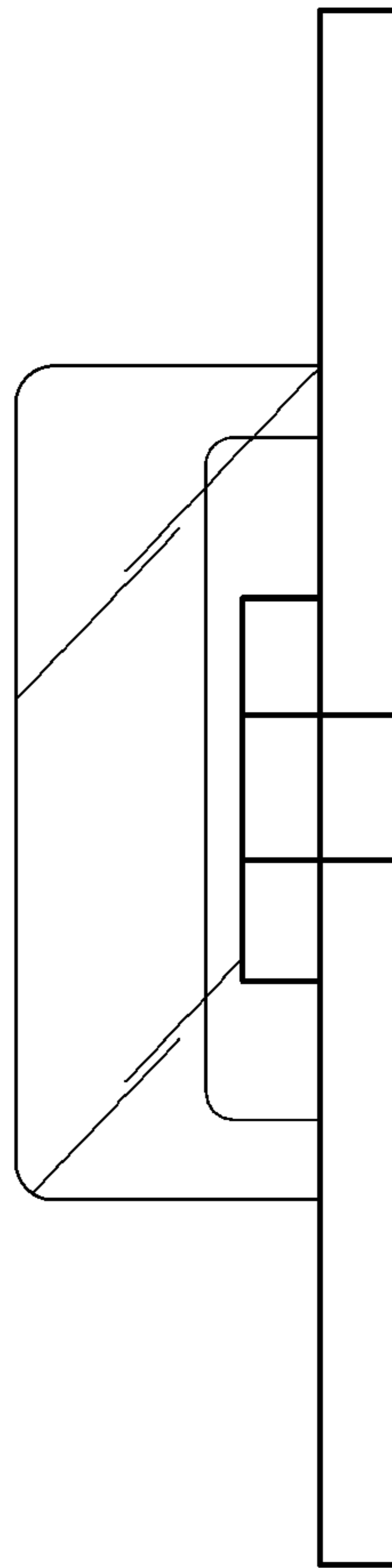


FIG. 4

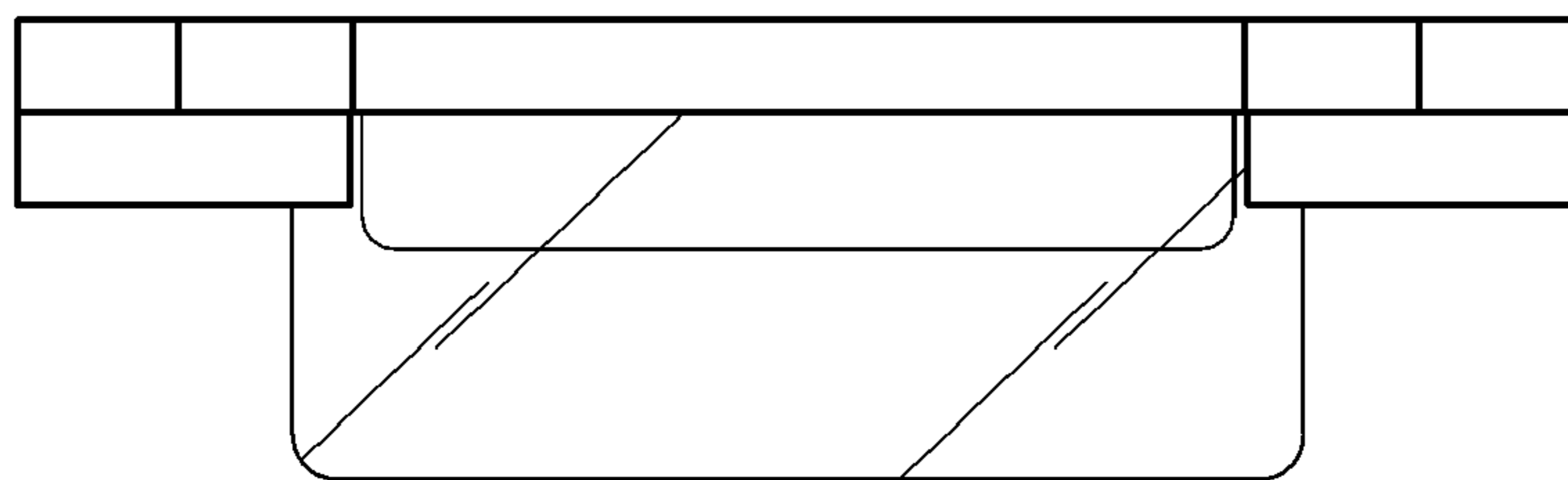


FIG. 5