



US00D624886S

(12) **United States Design Patent**
Ni et al.

(10) **Patent No.:** **US D624,886 S**
(45) **Date of Patent:** **** Oct. 5, 2010**

(54) **LIGHT EMITTING DIODE PACKAGE**

(75) Inventors: **Chun-Yao Ni**, Taipei Hsien (TW);
Chih-Chia Tsai, Taipei Hsien (TW)

(73) Assignee: **Everlight Electronics Co., Ltd.**,
Tucheng, Taipei Hsien (TW)

(**) Term: **14 Years**

(21) Appl. No.: **29/358,359**

(22) Filed: **Mar. 26, 2010**

(30) **Foreign Application Priority Data**

Jan. 11, 2010 (TW) 099300117

(51) **LOC (9) Cl.** **13-03**

(52) **U.S. Cl.** **D13/180**

(58) **Field of Classification Search** D13/180;
D26/2; 257/79, 80, 81, 88, 89, 95, 98, 99,
257/100, E33.058; 313/483, 498, 500; 362/555,
362/800

See application file for complete search history.

(56) **References Cited**

U.S. PATENT DOCUMENTS

6,777,719 B1 * 8/2004 Fujii 257/99
7,049,639 B2 * 5/2006 Wang et al. 257/99
D576,571 S * 9/2008 Itai D13/180
D590,356 S * 4/2009 Takano et al. D13/180

D590,358 S * 4/2009 Miyashita et al. D13/180
D599,303 S * 9/2009 Seo et al. D13/180
2006/0113906 A1 * 6/2006 Ogawa 313/512
2006/0214273 A1 * 9/2006 Wang et al. 257/678

FOREIGN PATENT DOCUMENTS

JP D1066550-004 7/2000

* cited by examiner

Primary Examiner—Selina Sikder

(74) *Attorney, Agent, or Firm*—Winston Hsu; Scott Margo;
Min-Lee Teng

(57) **CLAIM**

The ornamental design for a light emitting diode package, as shown and described.

DESCRIPTION

FIG. 1 is a perspective view of a light emitting diode package with the new design, with a slot structured circuit board incorporated;

FIG. 2 is a front view thereof;

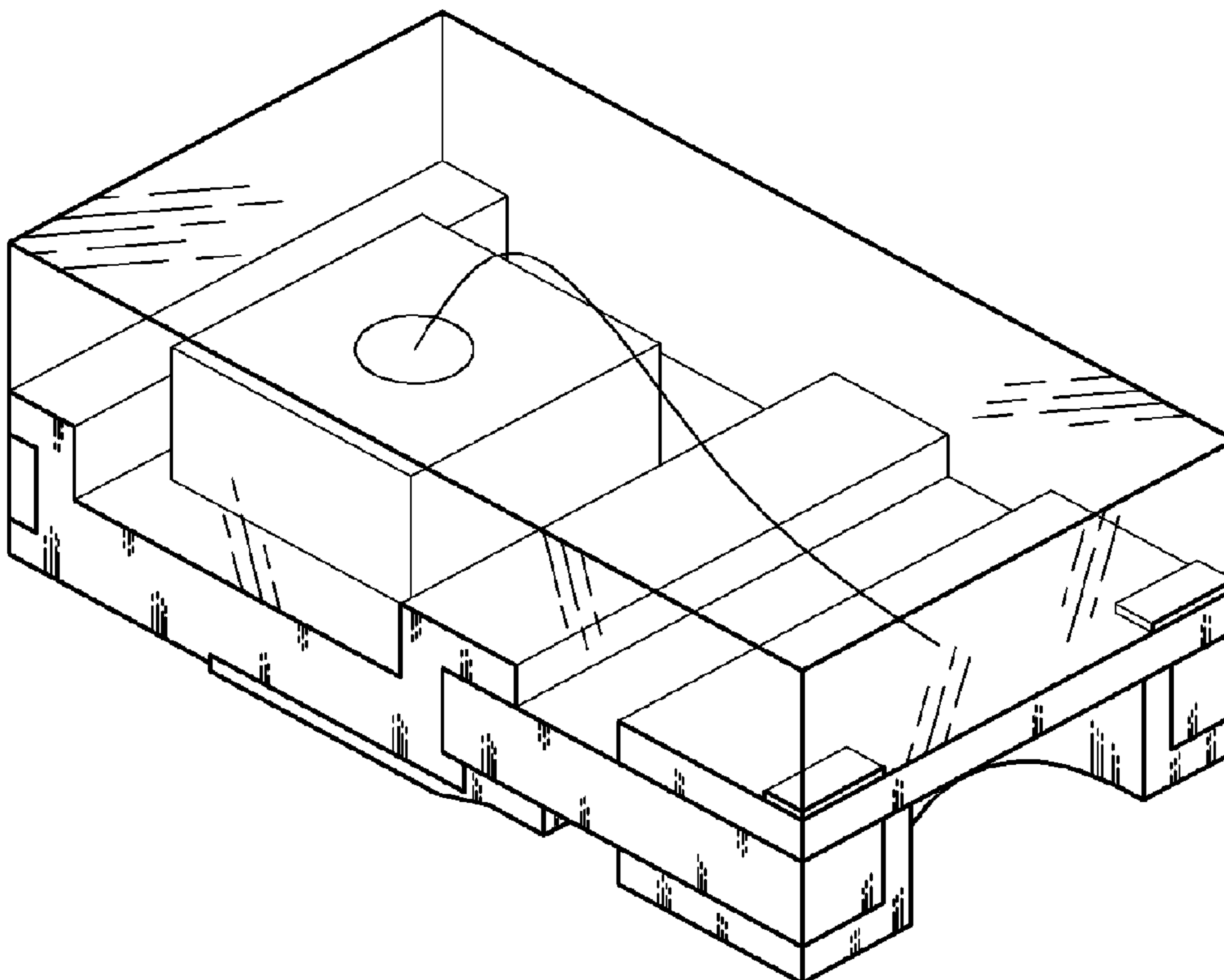
FIG. 3 is a left side view thereof;

FIG. 4 is a right side view thereof;

FIG. 5 is a top plan view thereof, wherein a slot structured circuit board is disposed on the bottom of the light emitting diode package; and,

FIG. 6 is a bottom plan view thereof.

1 Claim, 6 Drawing Sheets



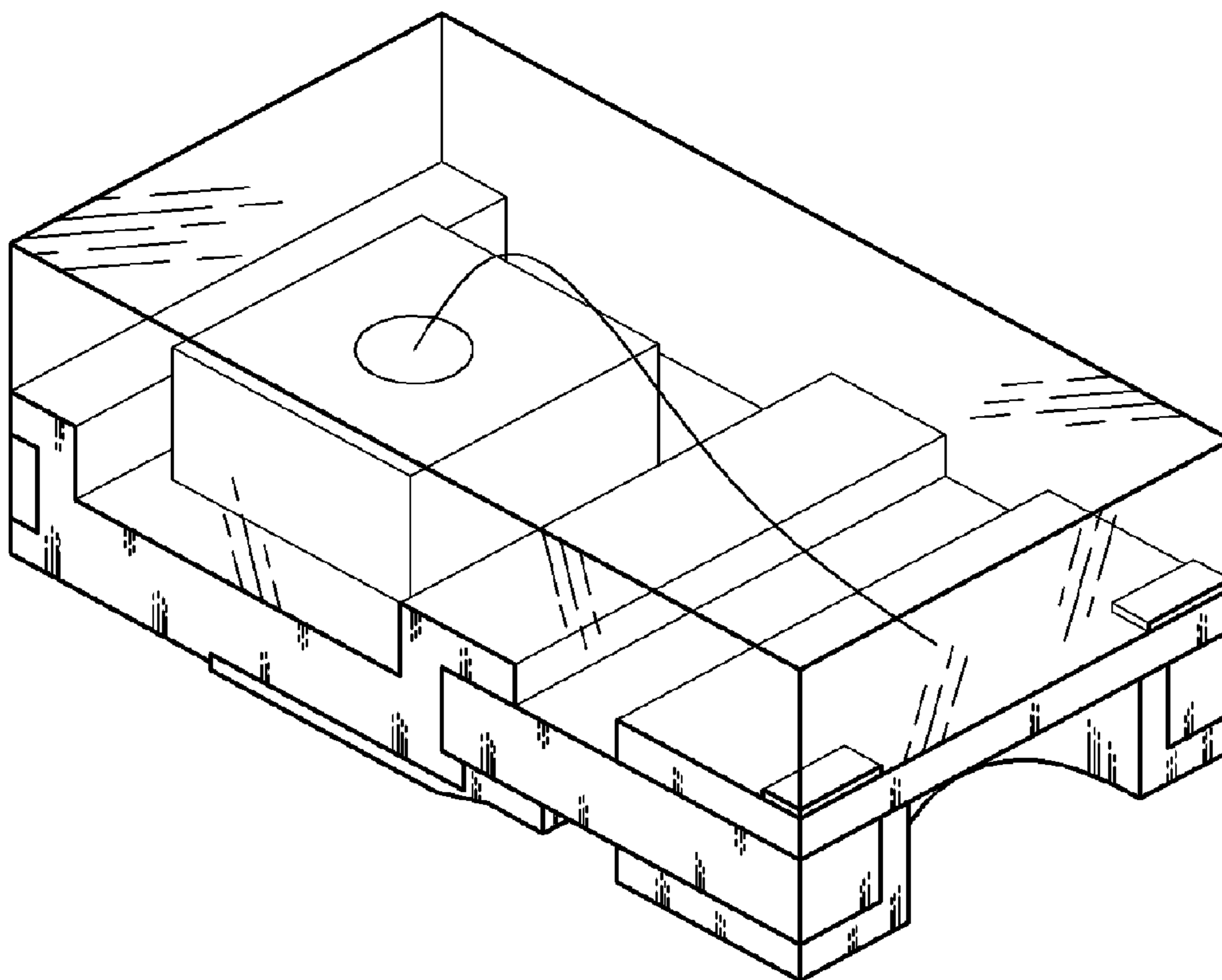


FIG. 1

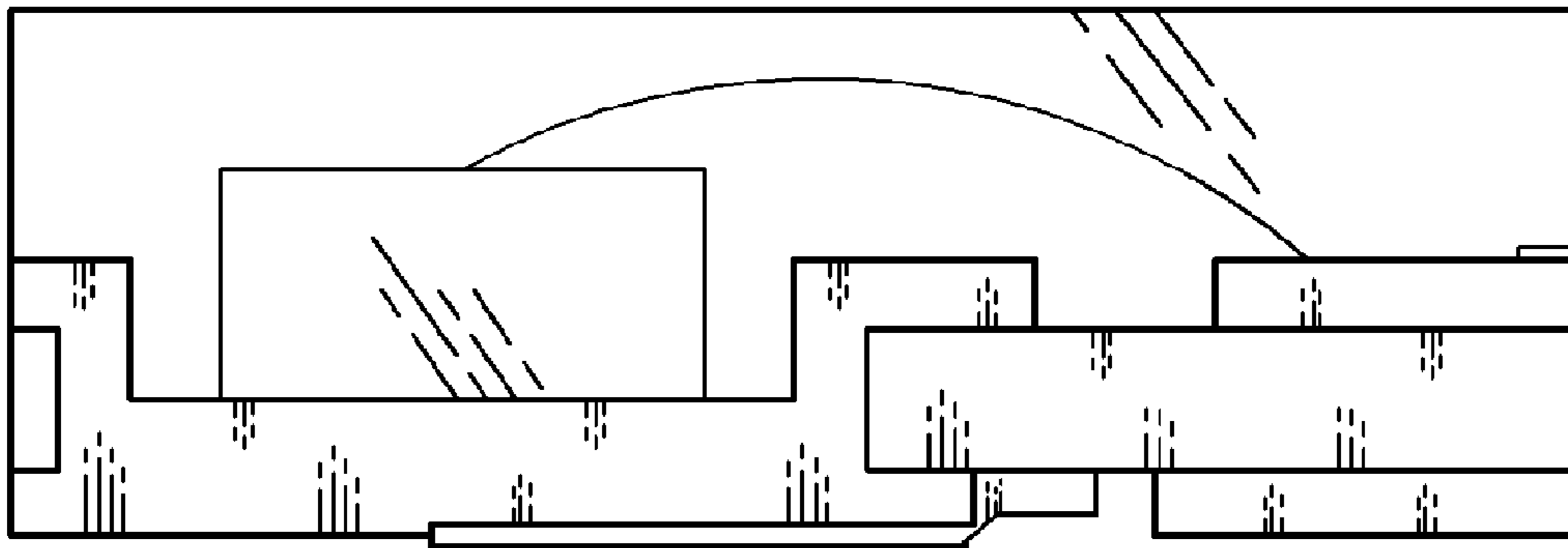


FIG. 2

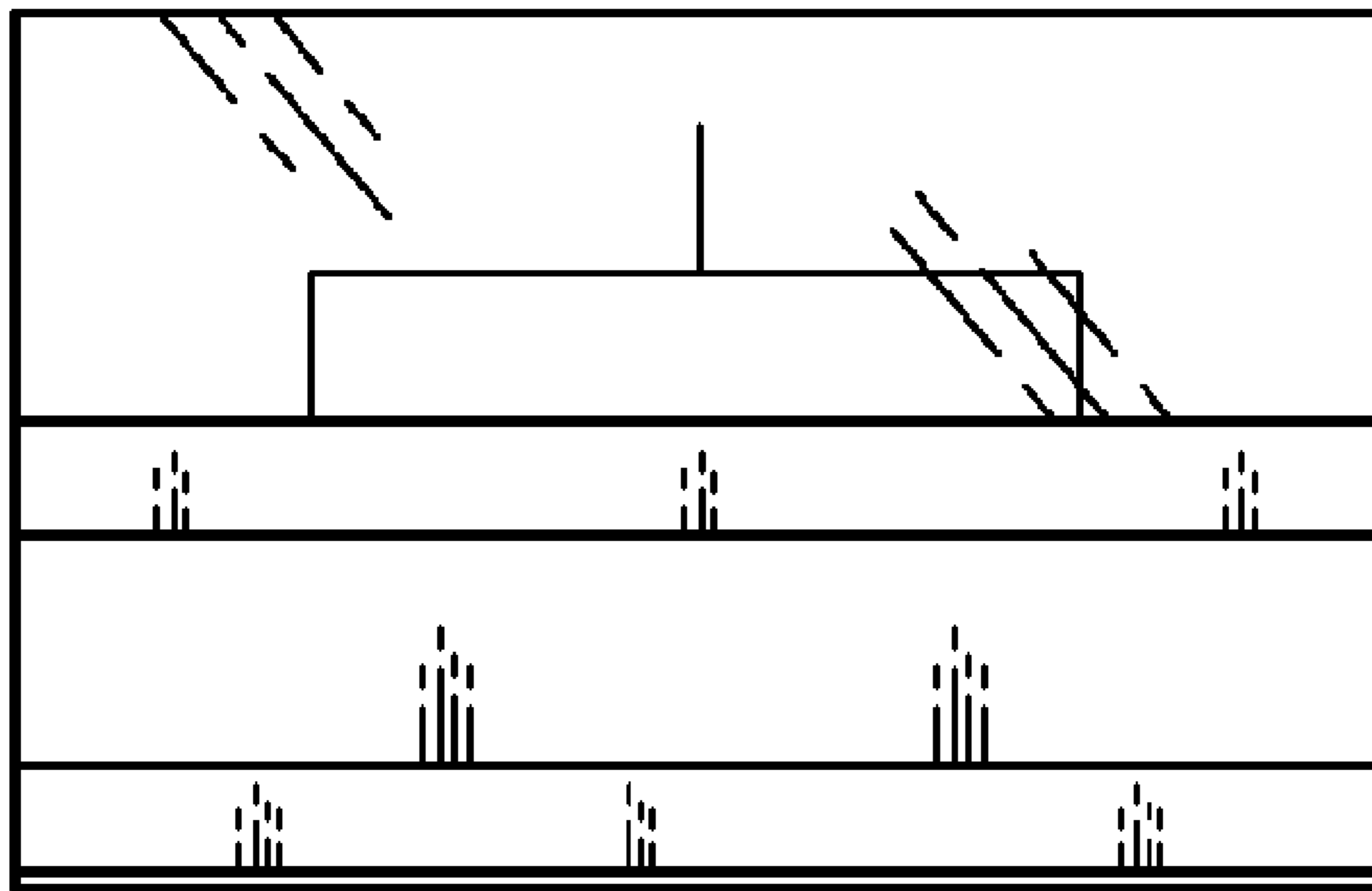


FIG. 3

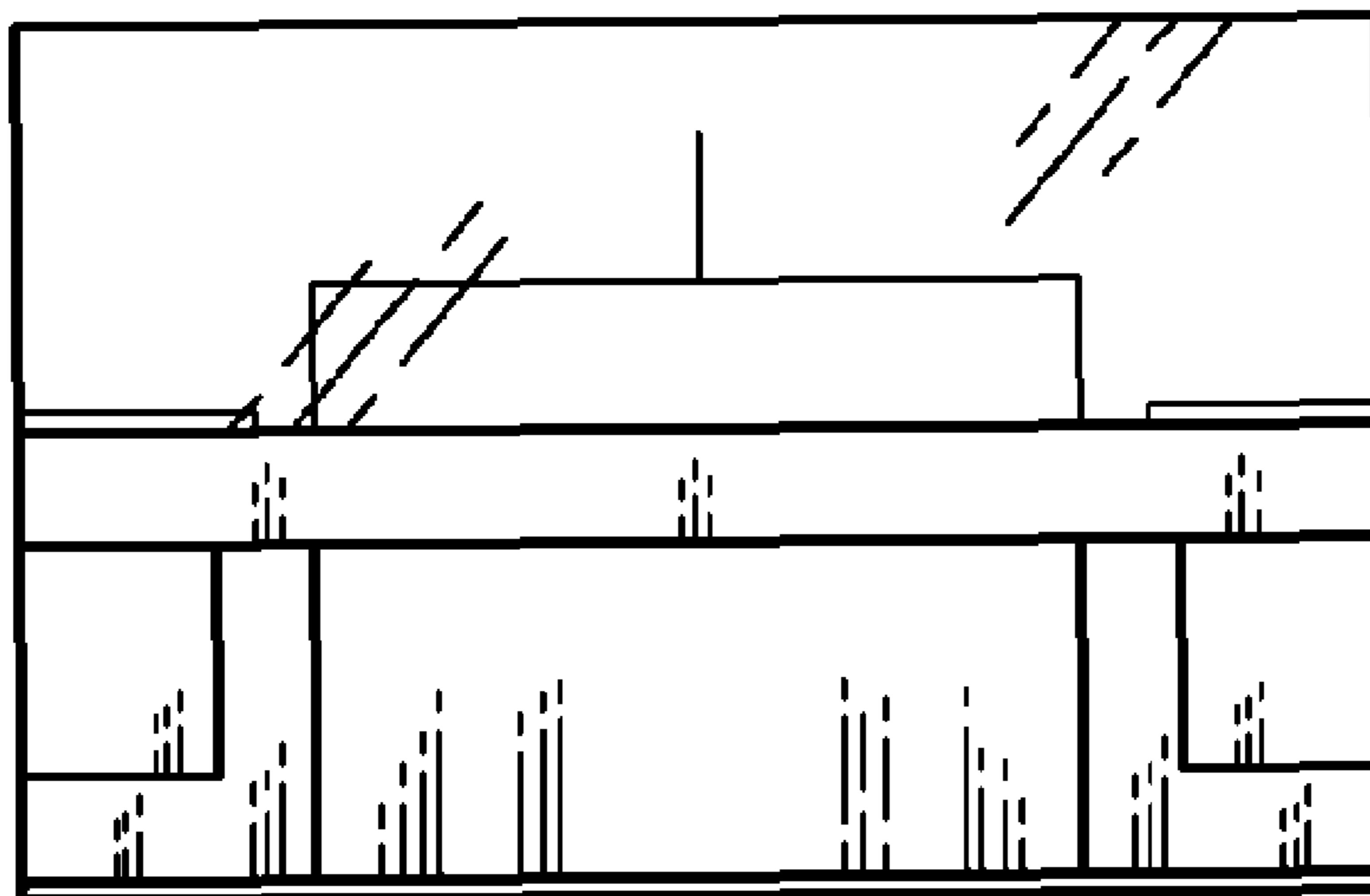


FIG. 4

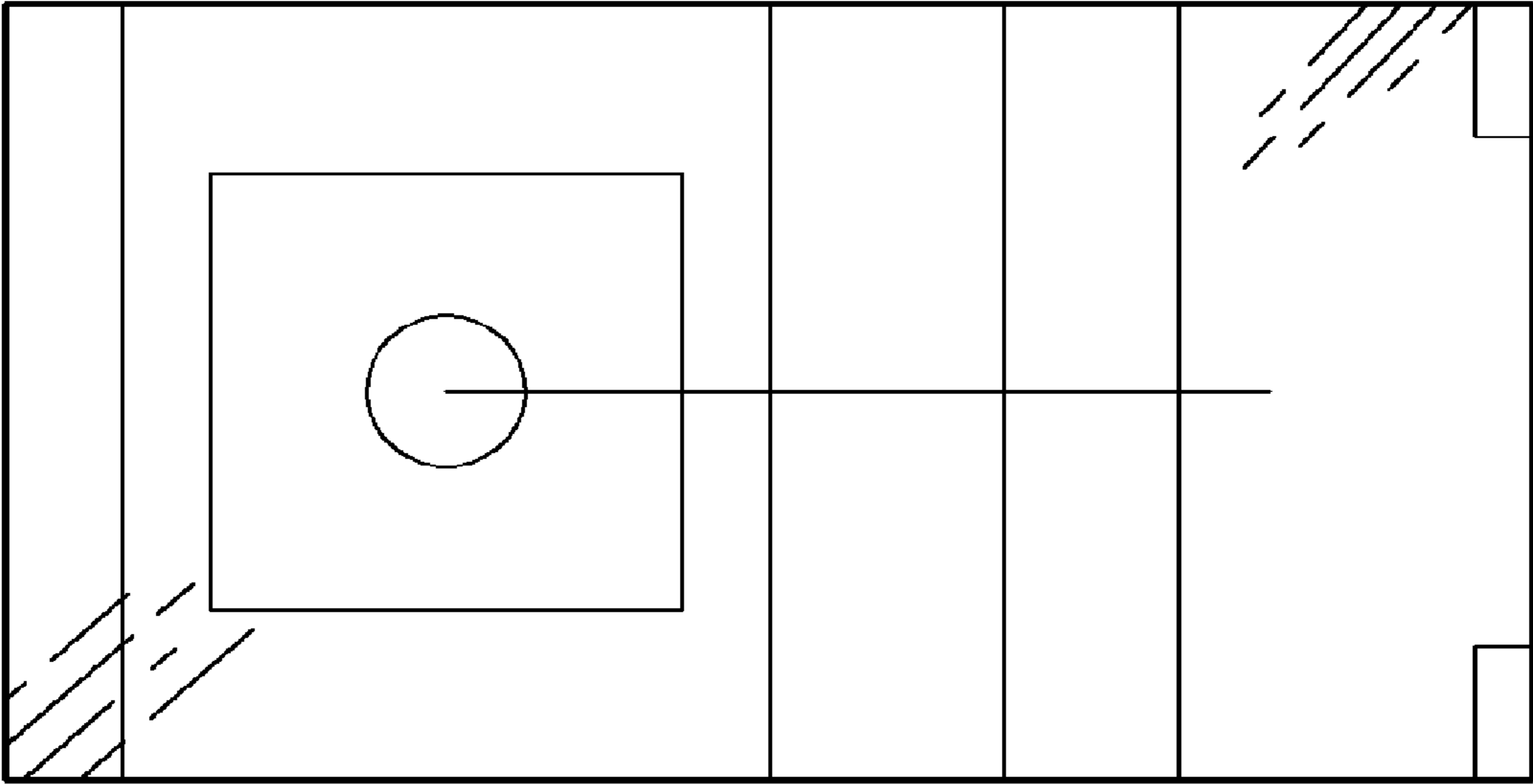


FIG. 5

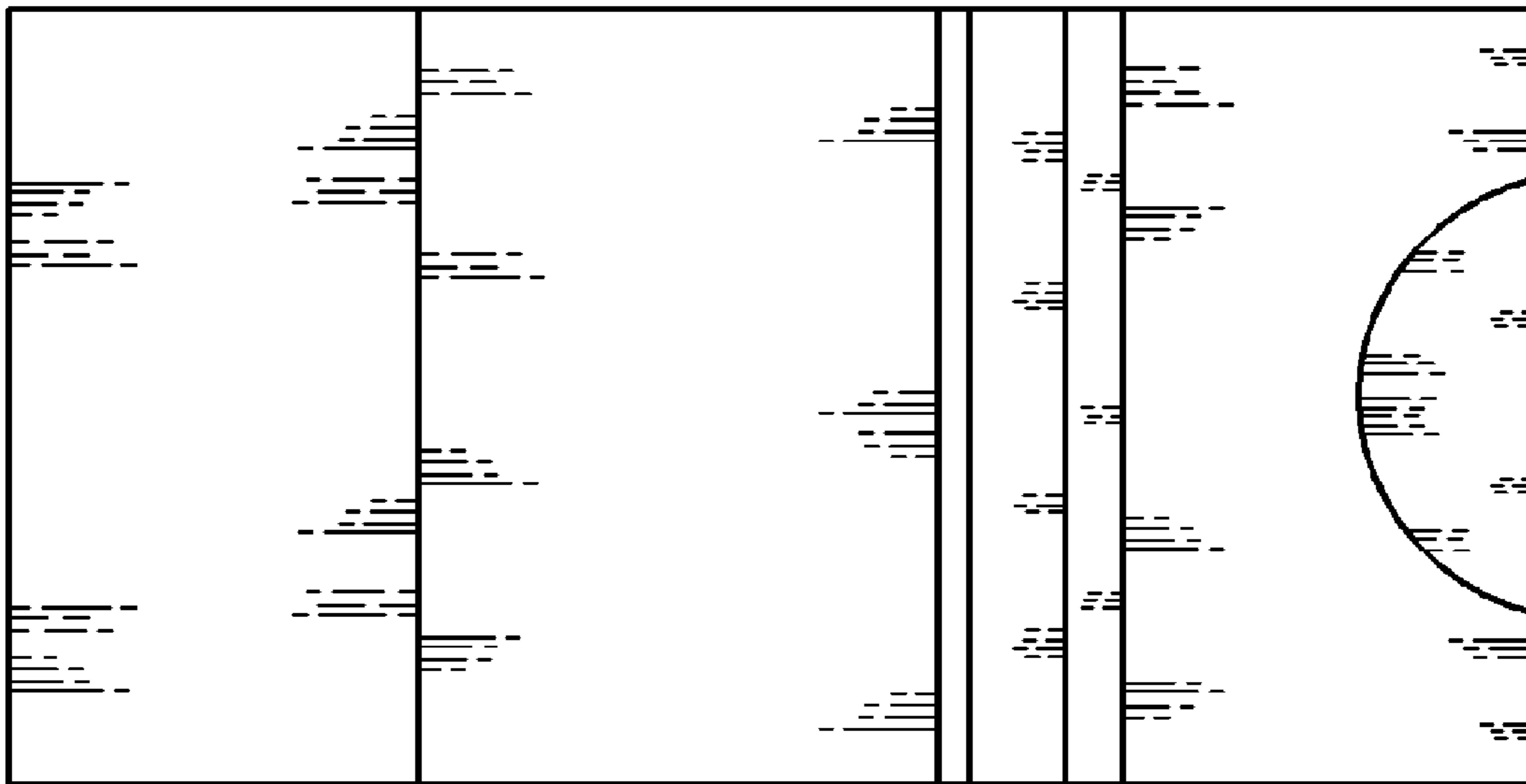


FIG. 6