



US00D624884S

(12) **United States Design Patent**  
**Lai et al.**

(10) **Patent No.:** **US D624,884 S**

(45) **Date of Patent:** **\*\* \*Oct. 5, 2010**

(54) **LIGHT EMITTING DIODE**

(75) Inventors: **Chih-Ming Lai**, Miao-Li Hsien (TW);  
**Ming-Young Shiao**, Miao-Li Hsien  
(TW); **Hong-Bin Yang**, Miao-Li Hsien  
(TW)

(73) Assignee: **Foxsemicon Integrated Technology,  
Inc.**, Chu-Nan, Miao-Li Hsien (TW)

(\*) Notice: This patent is subject to a terminal dis-  
claimer.

(\*\*) Term: **14 Years**

(21) Appl. No.: **29/353,345**

(22) Filed: **Jan. 7, 2010**

(30) **Foreign Application Priority Data**

Oct. 26, 2009 (CN) ..... 2009 3 0321415

(51) **LOC (9) Cl.** ..... **13-03**

(52) **U.S. Cl.** ..... **D13/180**

(58) **Field of Classification Search** ..... D13/180;  
D26/2; 257/79, 80, 81, 88, 89, 95, 98, 99,  
257/100, E33.058; 313/483, 498, 500; 362/555,  
362/800

See application file for complete search history.

(56) **References Cited**

**U.S. PATENT DOCUMENTS**

6,061,160 A \* 5/2000 Maruyama ..... 398/201  
D477,580 S \* 7/2003 Kamada ..... D13/182

D491,899 S \* 6/2004 Yagi ..... D13/180  
7,385,227 B2 \* 6/2008 Mok et al. .... 257/98  
D576,966 S \* 9/2008 Ng et al. .... D13/180  
7,514,724 B2 \* 4/2009 Ng et al. .... 257/99  
D596,593 S \* 7/2009 Yong et al. .... D13/180  
D611,011 S \* 3/2010 Ariizumi ..... D13/180  
7,675,145 B2 \* 3/2010 Wong et al. .... 257/676  
2004/0201028 A1 \* 10/2004 Waitl et al. .... 257/99  
2005/0127816 A1 \* 6/2005 Sumitani ..... 313/498  
2007/0063321 A1 \* 3/2007 Han et al. .... 257/675  
2007/0145403 A1 \* 6/2007 Tomioka et al. .... 257/99  
2007/0252250 A1 \* 11/2007 Hui et al. .... 257/672  
2008/0001160 A1 \* 1/2008 Andrews ..... 257/79  
2009/0065799 A1 \* 3/2009 Kim et al. .... 257/99

\* cited by examiner

*Primary Examiner*—Selina Sikder

(74) *Attorney, Agent, or Firm*—Raymond J. Chew

(57) **CLAIM**

The ornamental design for a light emitting diode, as shown.

**DESCRIPTION**

FIG. 1 is a perspective view of a light emitting diode in one operational state.

FIG. 2 is a front elevational view thereof.

FIG. 3 is a rear elevational view thereof.

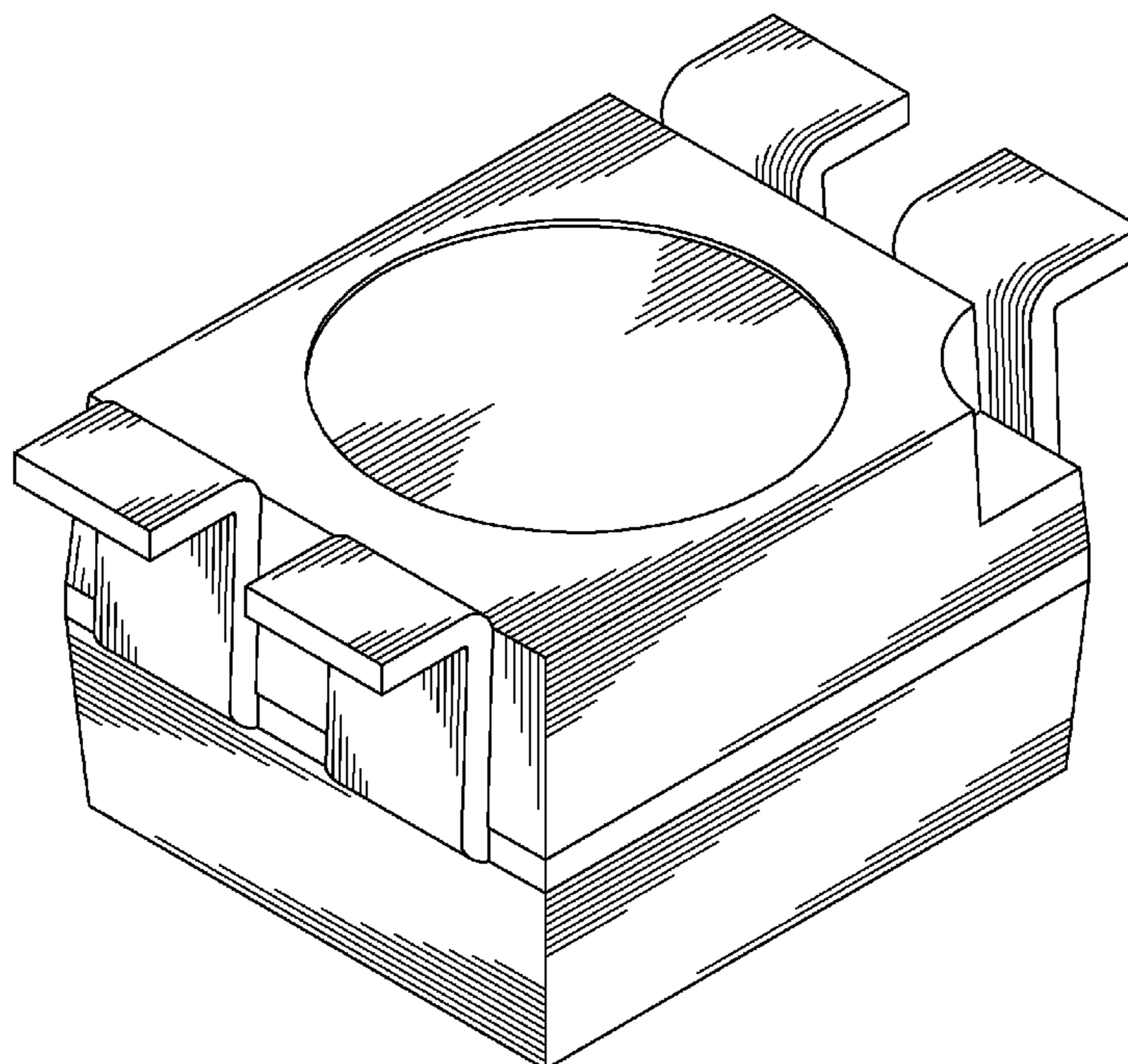
FIG. 4 is a left-side, elevational view thereof.

FIG. 5 is a right-side, elevational view thereof.

FIG. 6 is a top plan view thereof; and,

FIG. 7 is a bottom plan view thereof.

**1 Claim, 7 Drawing Sheets**



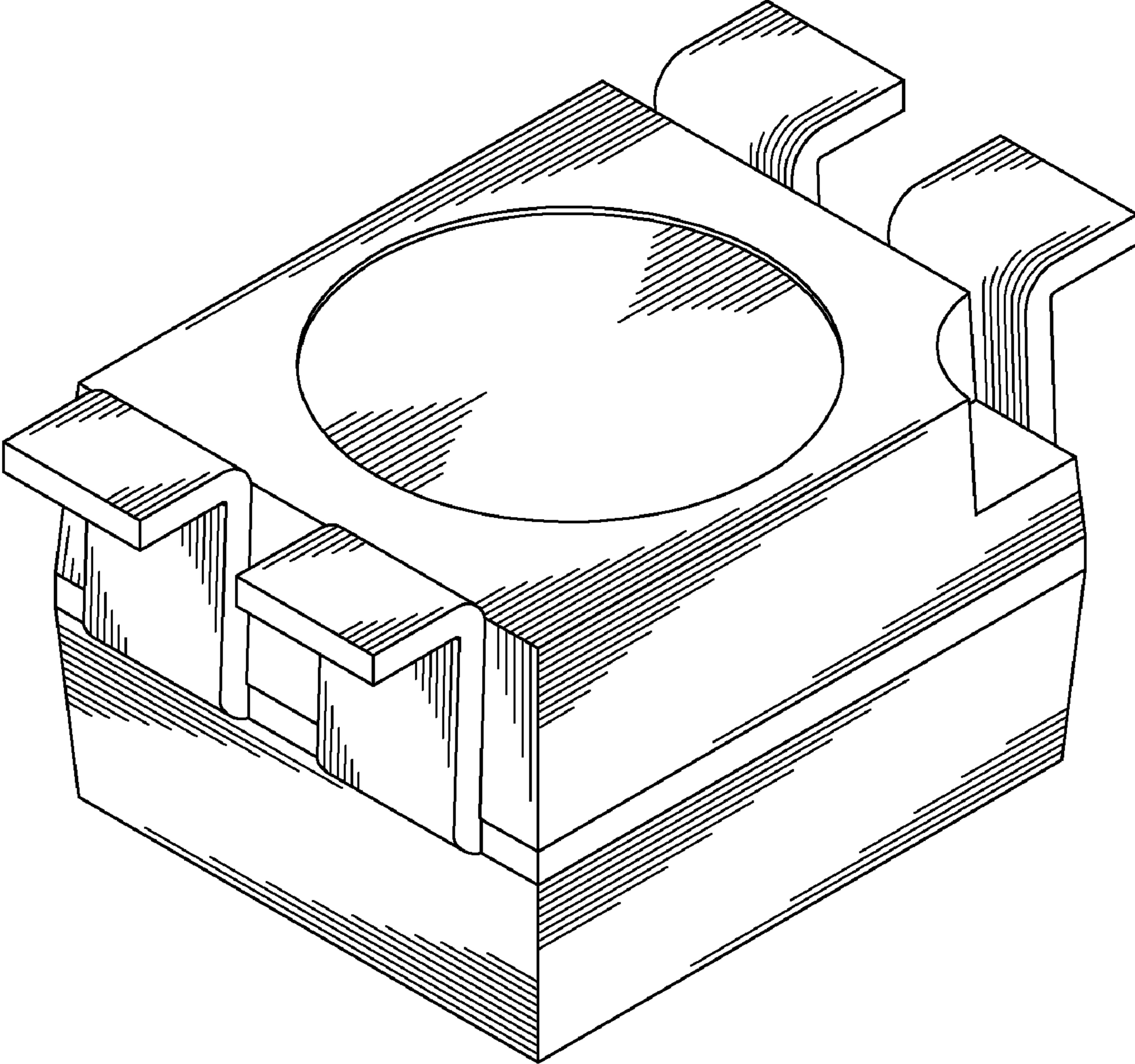


FIG. 1

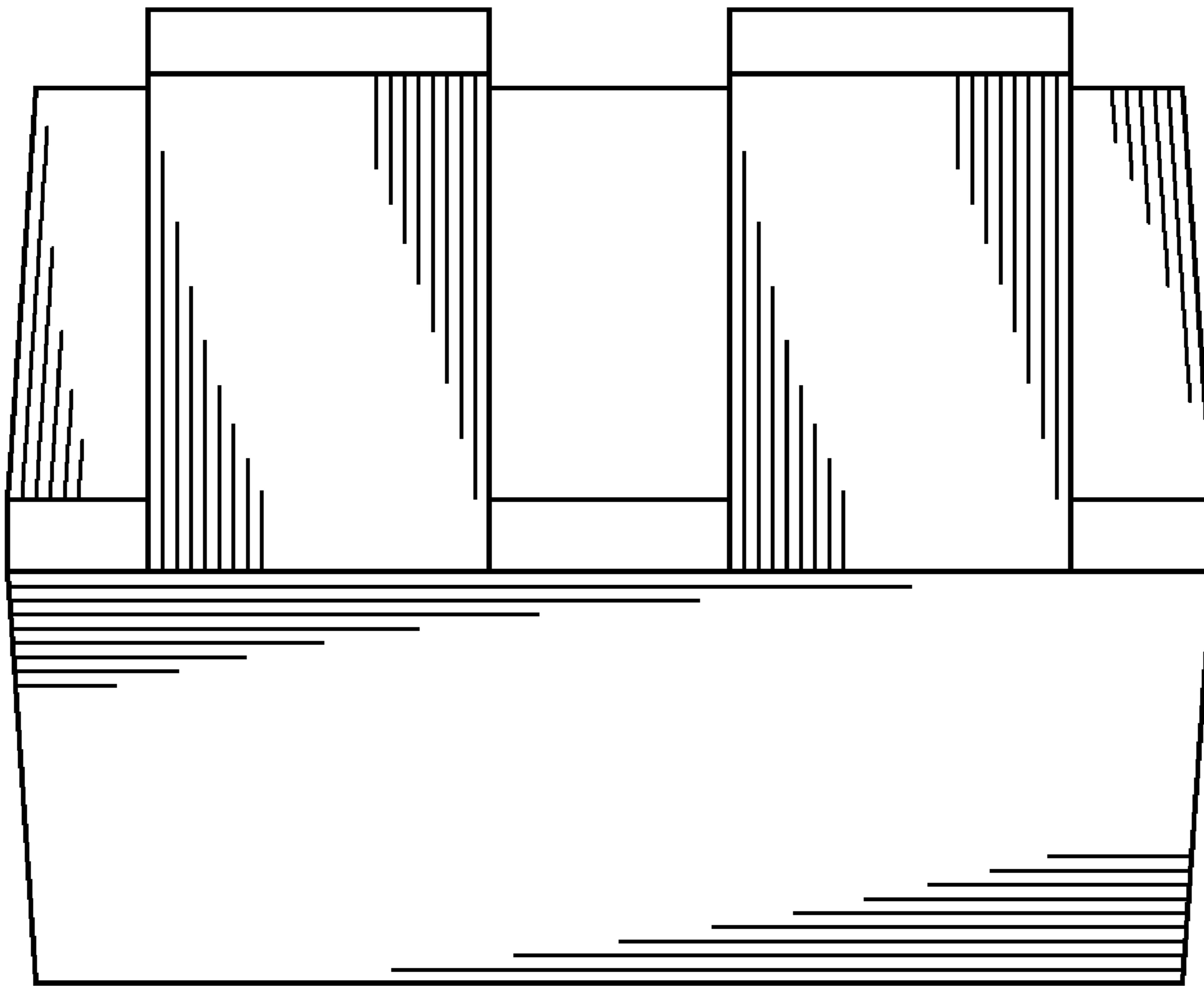


FIG. 2

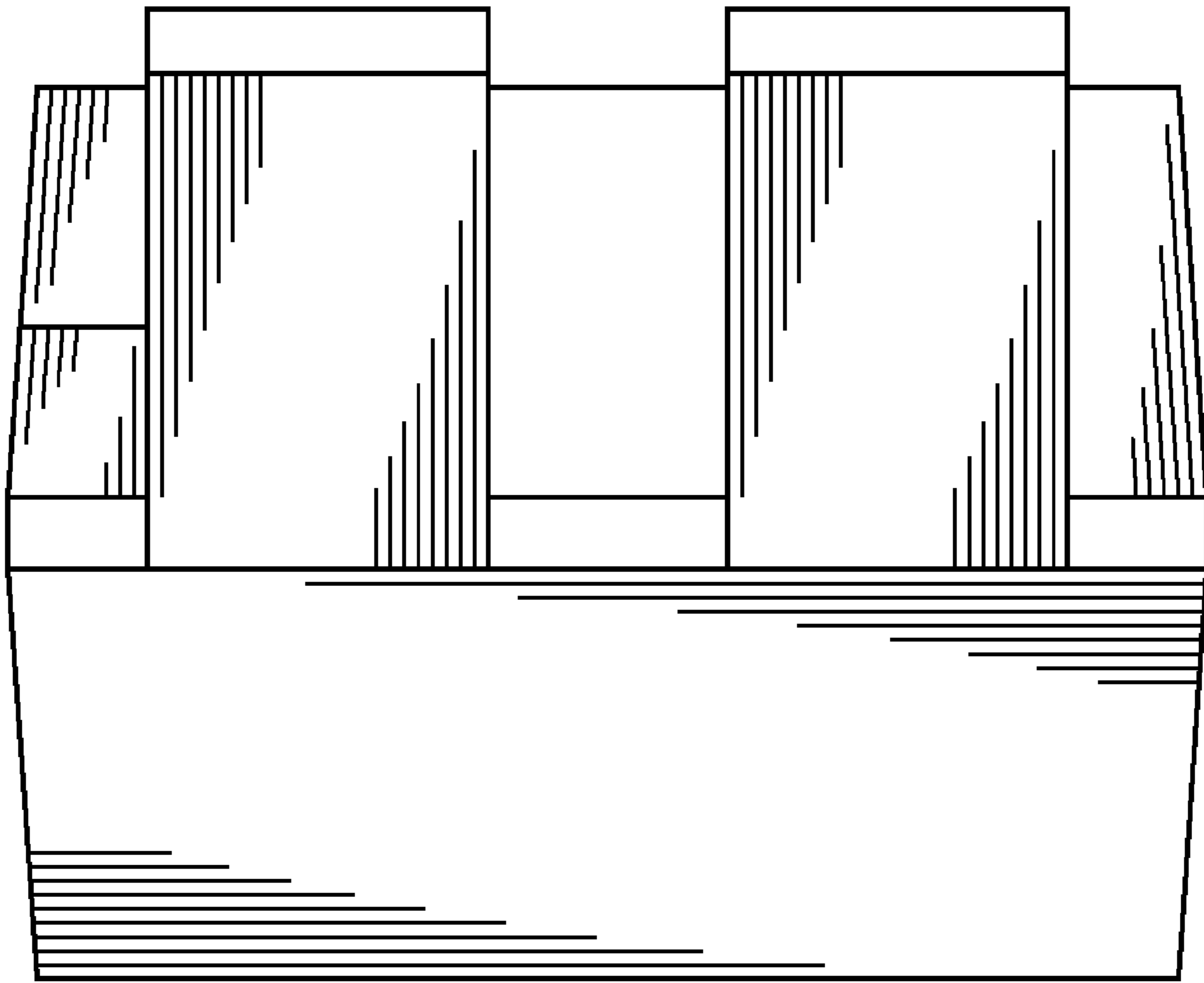


FIG. 3

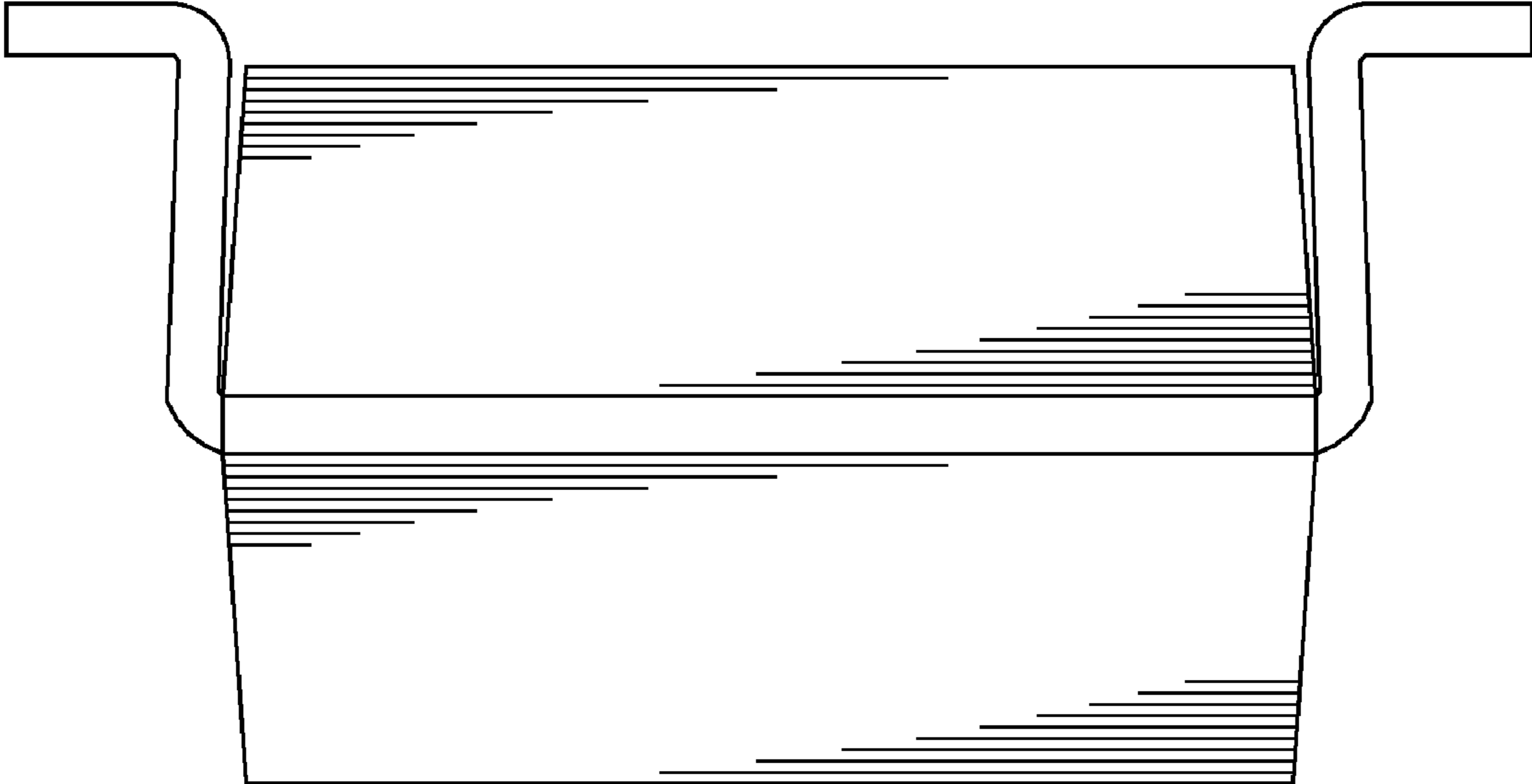


FIG. 4

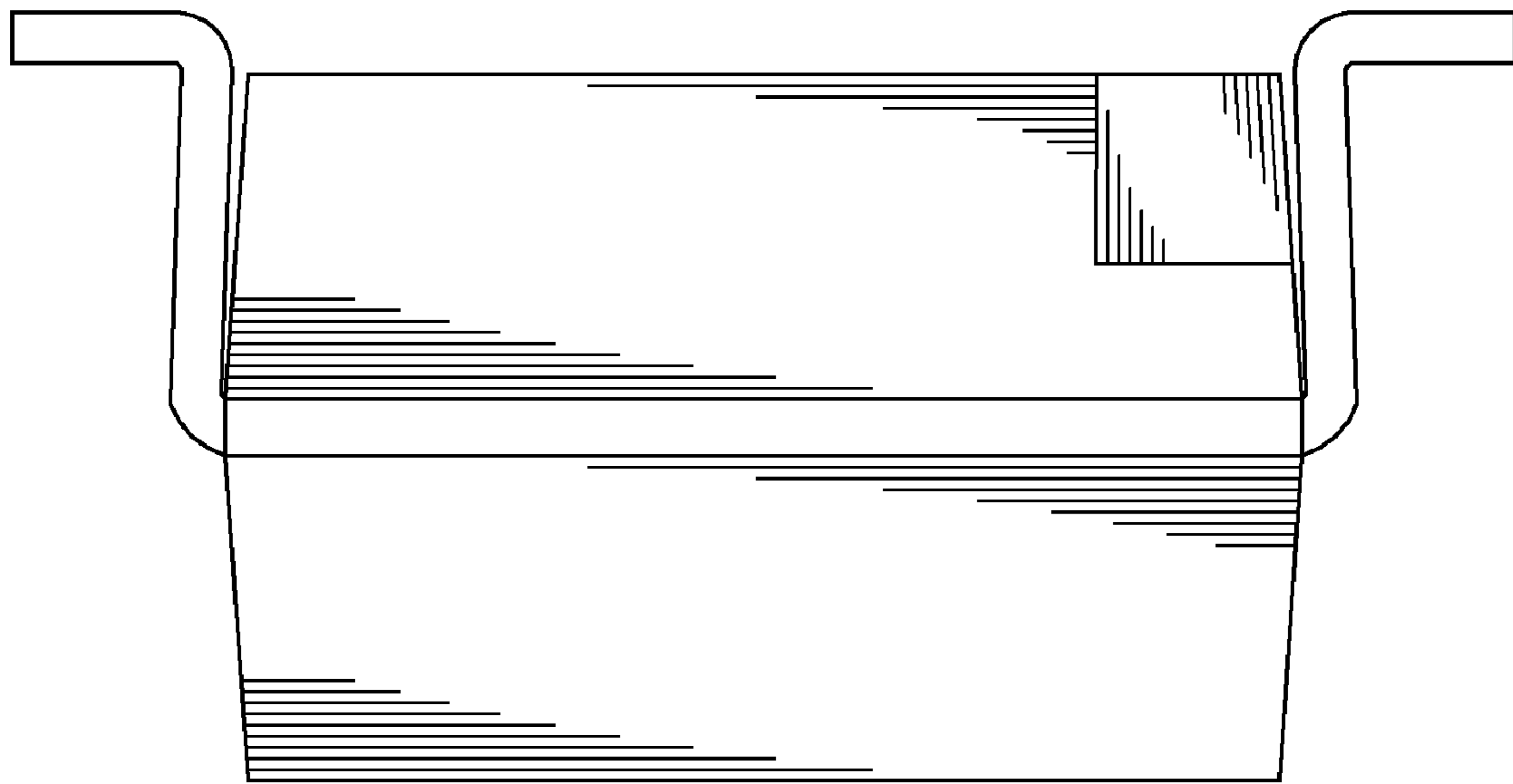


FIG. 5

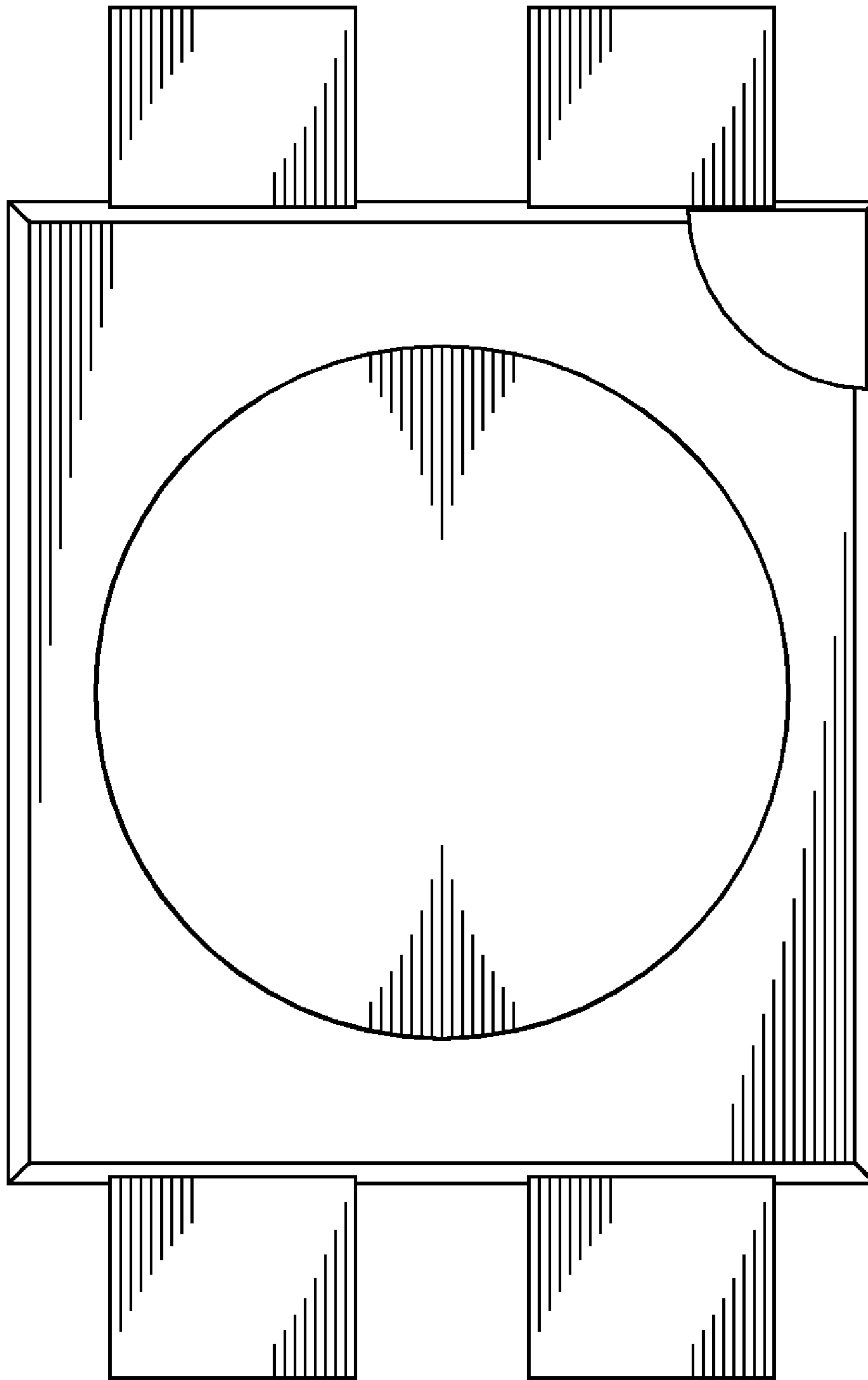


FIG. 6

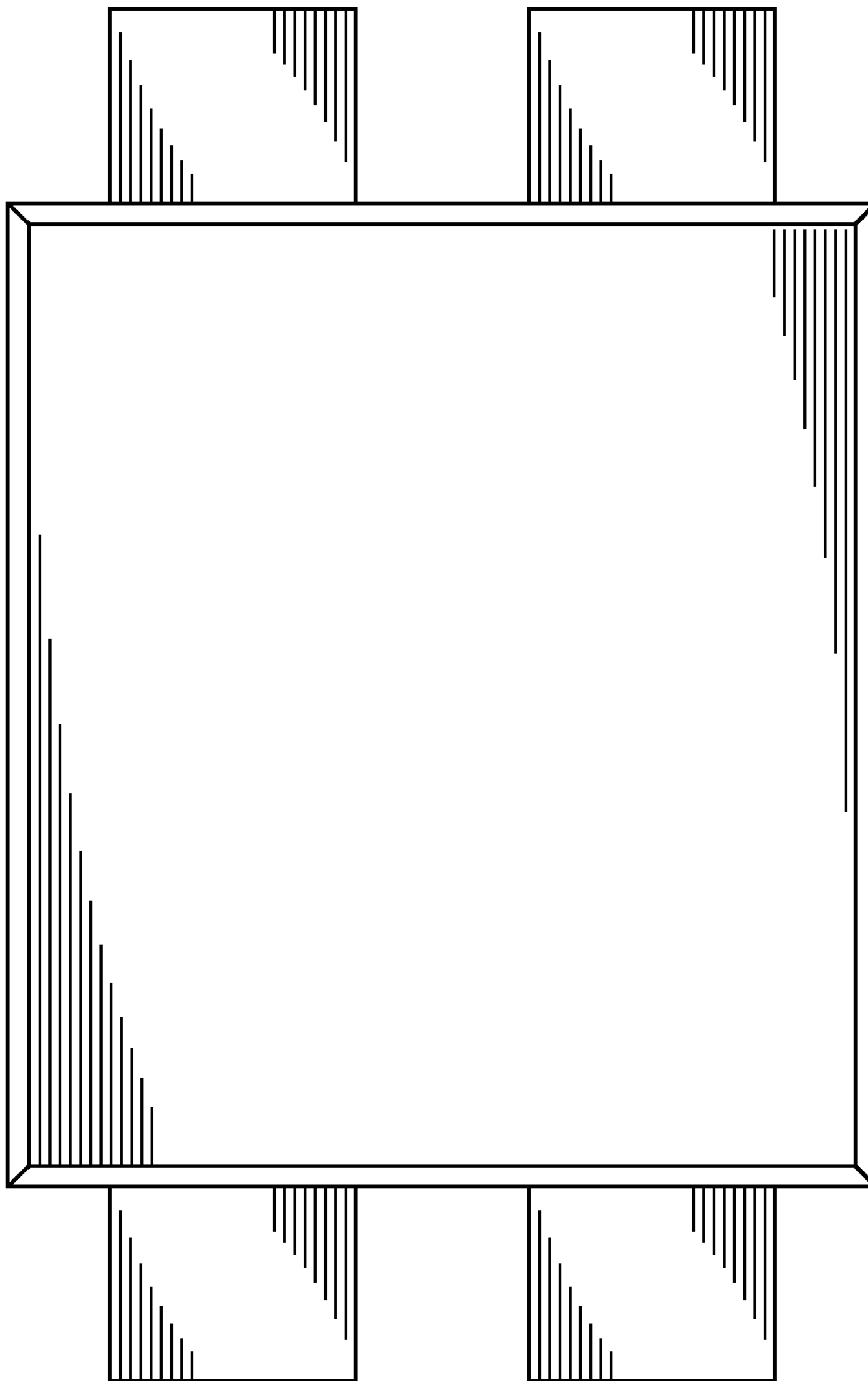


FIG. 7