



US00D624882S

(12) **United States Design Patent**  
**Altonen et al.**

(10) **Patent No.:** **US D624,882 S**  
(45) **Date of Patent:** **\*\* Oct. 5, 2010**

(54) **LIGHTING CONTROL KEYPAD**

(75) Inventors: **Gregory Altonen**, Easton, PA (US);  
**Elliot G. Jacoby**, Glenside, PA (US);  
**Noel Mayo**, Philadelphia, PA (US); **Joel S. Spira**, Coopersburg, PA (US)

(73) Assignee: **Lutron Electronics Co., Inc.**,  
Coopersburg, PA (US)

(\*\*) Term: **14 Years**

(21) Appl. No.: **29/333,885**

(22) Filed: **Mar. 17, 2009**

(51) **LOC (9) Cl.** ..... **13-03**

(52) **U.S. Cl.** ..... **D13/174; D13/171**

(58) **Field of Classification Search** ..... D13/162,  
D13/164, 170, 171, 173, 174; 174/66; 200/530,  
200/531, 536, 252, 293, 333, 335, 329; 338/128,  
338/176; D8/353; 307/116, 125, 139  
See application file for complete search history.

(56) **References Cited**

**U.S. PATENT DOCUMENTS**

3,693,129 A 9/1972 Shimizu

(Continued)

**FOREIGN PATENT DOCUMENTS**

EM 000249248-0003 1/2005

(Continued)

**OTHER PUBLICATIONS**

Lutron Electronics Co., Inc., *Vierti Dimmer Sell Sheet*, May 2008, 2 pages.

(Continued)

*Primary Examiner*—Selina Sikder

(74) *Attorney, Agent, or Firm*—Mark E. Rose; Philip N. Smith; Bridget L. McDonough

(57) **CLAIM**

We claim the ornamental design for a lighting control keypad, as shown and described.

**DESCRIPTION**

FIG. 1 is a perspective view of a lighting control keypad according to a first embodiment of our new design.

FIG. 2 is a front view thereof.

FIG. 3 is a left side view thereof.

FIG. 4 is a right side view thereof.

FIG. 5 is a top view thereof.

FIG. 6 is a bottom view thereof.

FIG. 7 is a perspective view of a lighting control keypad according to a second embodiment of our new design.

FIG. 8 is a front view thereof.

FIG. 9 is a left side view thereof.

FIG. 10 is a right side view thereof.

FIG. 11 is a top view thereof.

FIG. 12 is a bottom view thereof.

FIG. 13 is a perspective view of a lighting control keypad according to a third embodiment of our new design.

FIG. 14 is a front view thereof.

FIG. 15 is a left side view thereof.

FIG. 16 is a right side view thereof.

FIG. 17 is a top view thereof.

FIG. 18 is a bottom view thereof.

FIG. 19 is a perspective view of a lighting control keypad according to a fourth embodiment of our new design.

FIG. 20 is a front view thereof.

FIG. 21 is a left side view thereof.

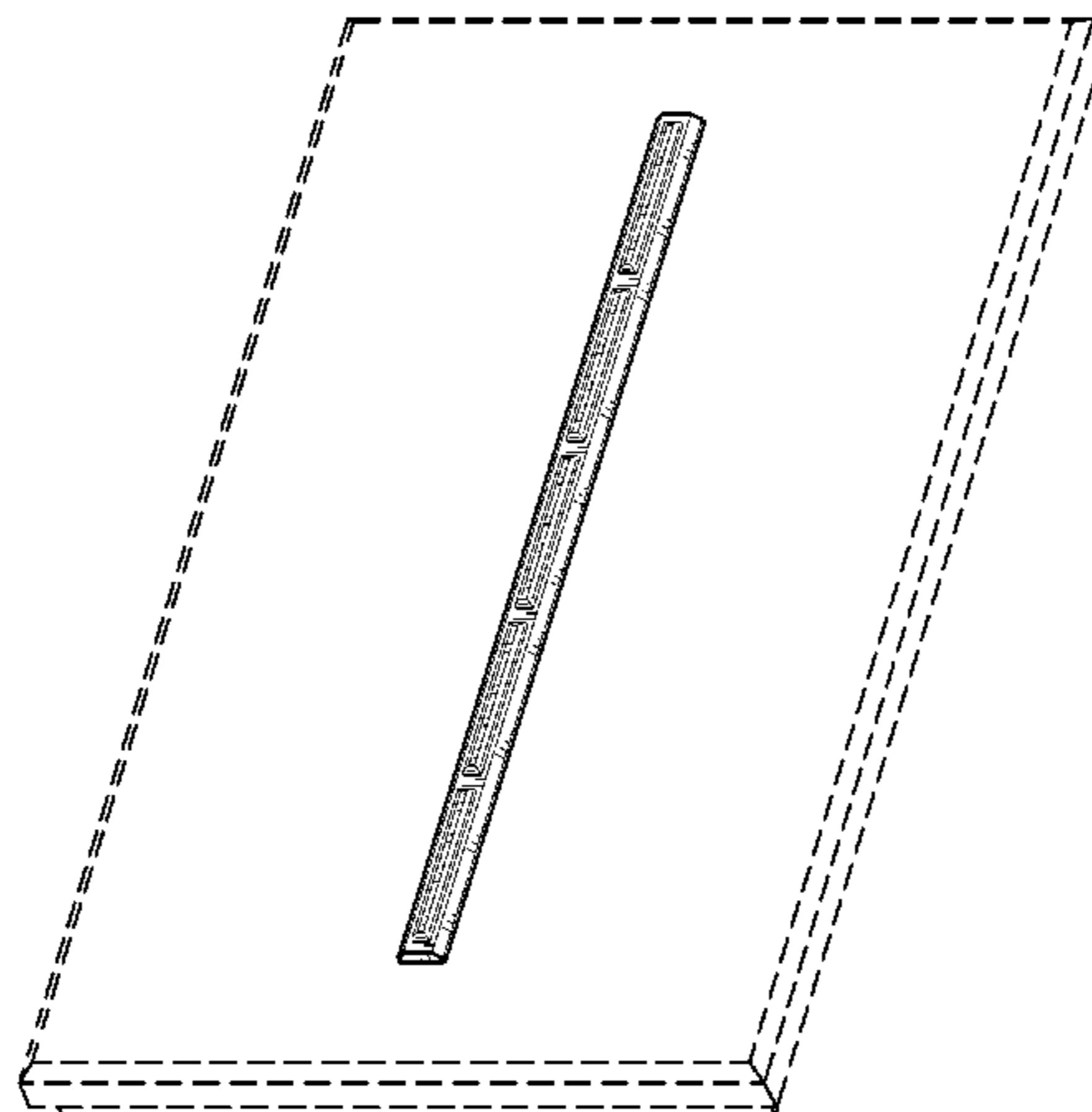
FIG. 22 is a right side view thereof.

FIG. 23 is a top view thereof; and,

FIG. 24 is a bottom view thereof.

The rear views form no part of the design and are omitted. The portions of the drawings appearing in broken line are for environment only and do not form a part of the claimed design.

**1 Claim, 16 Drawing Sheets**



# US D624,882 S

Page 2

---

## U.S. PATENT DOCUMENTS

4,196,406 A 4/1980 Salem  
4,246,494 A 1/1981 Foreman et al.  
4,559,515 A 12/1985 Takezawa  
4,947,054 A 8/1990 Flowers et al.  
5,118,910 A 6/1992 Duhon et al.  
5,196,782 A 3/1993 D'Aleo et al.  
5,338,910 A 8/1994 Tsai  
D380,451 S 7/1997 Krajci et al.  
5,825,279 A 10/1998 Yagi  
D453,742 S 2/2002 Butler et al.  
6,963,040 B1 11/2005 Urman  
D563,901 S 3/2008 Mayo et al.  
D566,658 S 4/2008 Mayo et al.  
D570,299 S 6/2008 Jacoby et al.

D572,202 S 7/2008 Jacoby et al.  
D572,208 S 7/2008 Mayo et al.  
D572,667 S 7/2008 Mayo et al.

## FOREIGN PATENT DOCUMENTS

EM 000249248-0004 1/2005  
EM 000249248-0005 1/2005

## OTHER PUBLICATIONS

Lutron Electronics Co., Inc., Vienti Dimmer Installation Instructions, Dec. 2007, 4 pages.  
INNCOM, Glass Series Switches GS-700 Family Manual, Nov. 2008, 2 pages.  
U.S. Appl. No. 29/333,882, filed Mar. 17, 2009, Altonen et al.

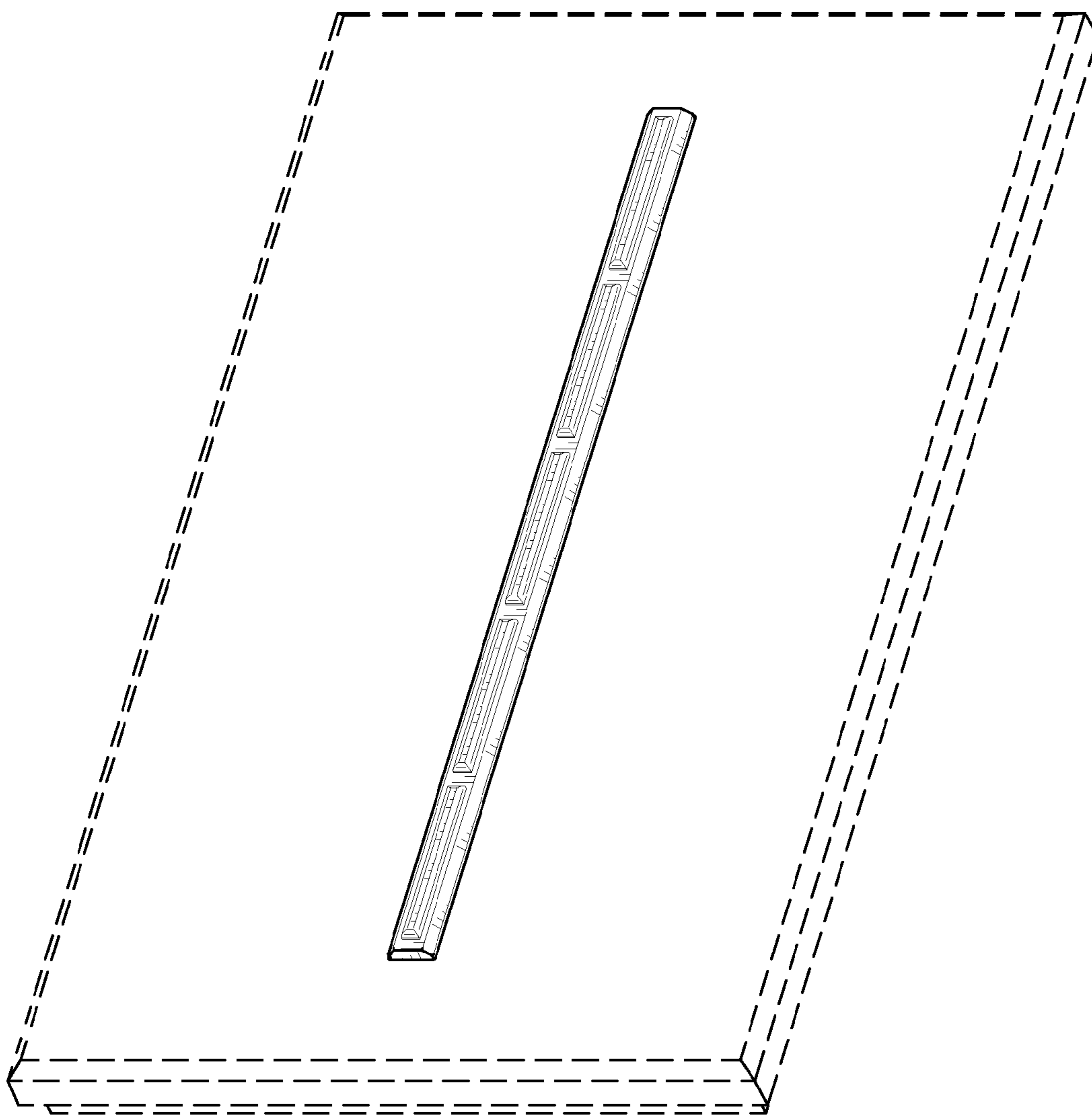


Fig. 1

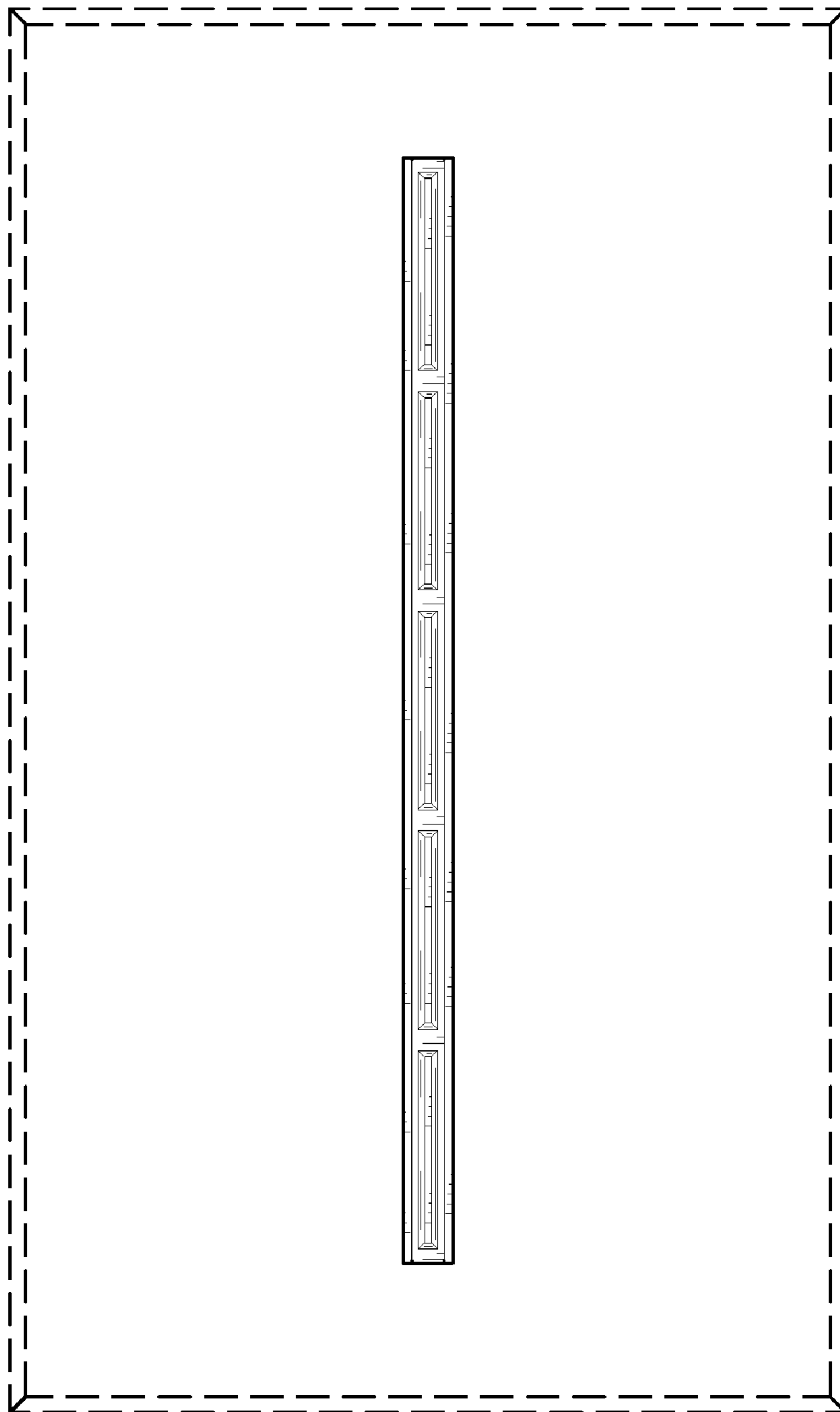


Fig. 2

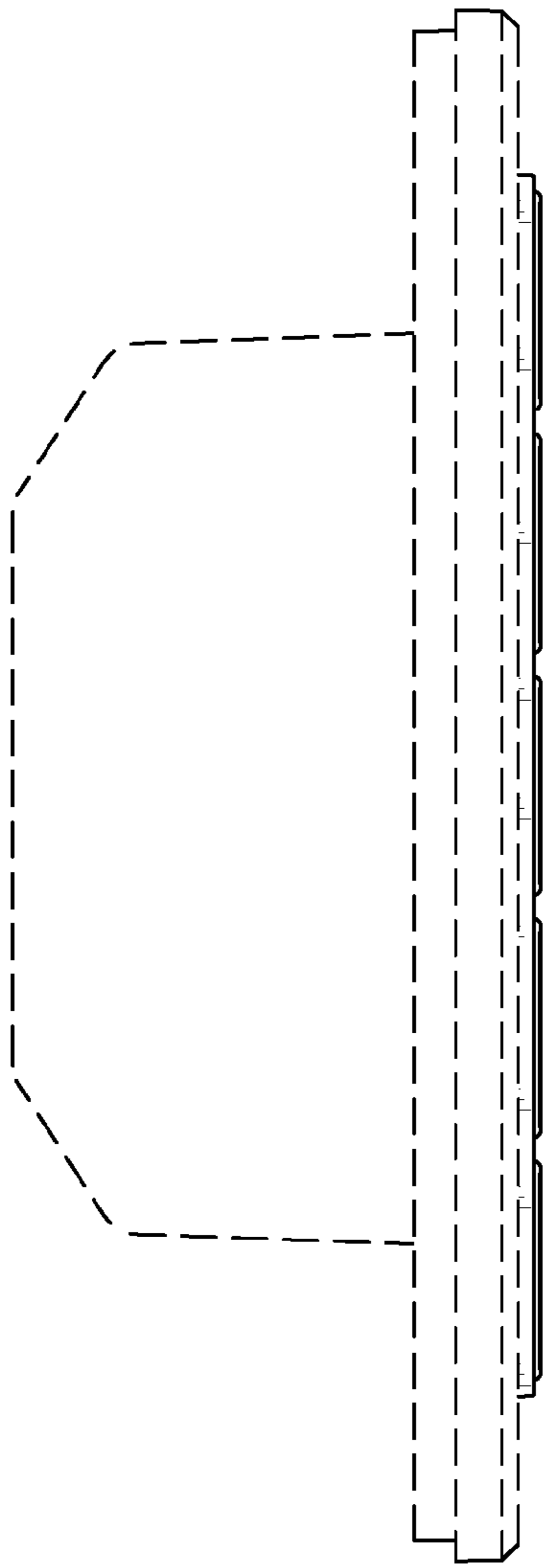


Fig. 3

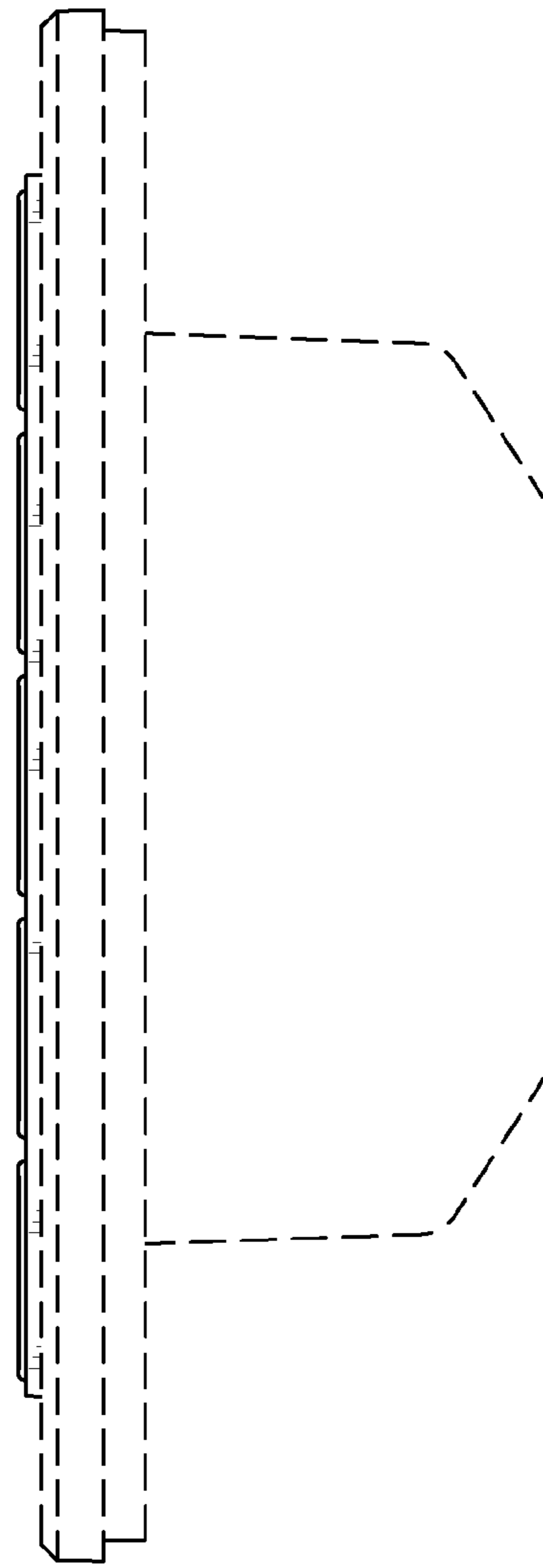


Fig. 4

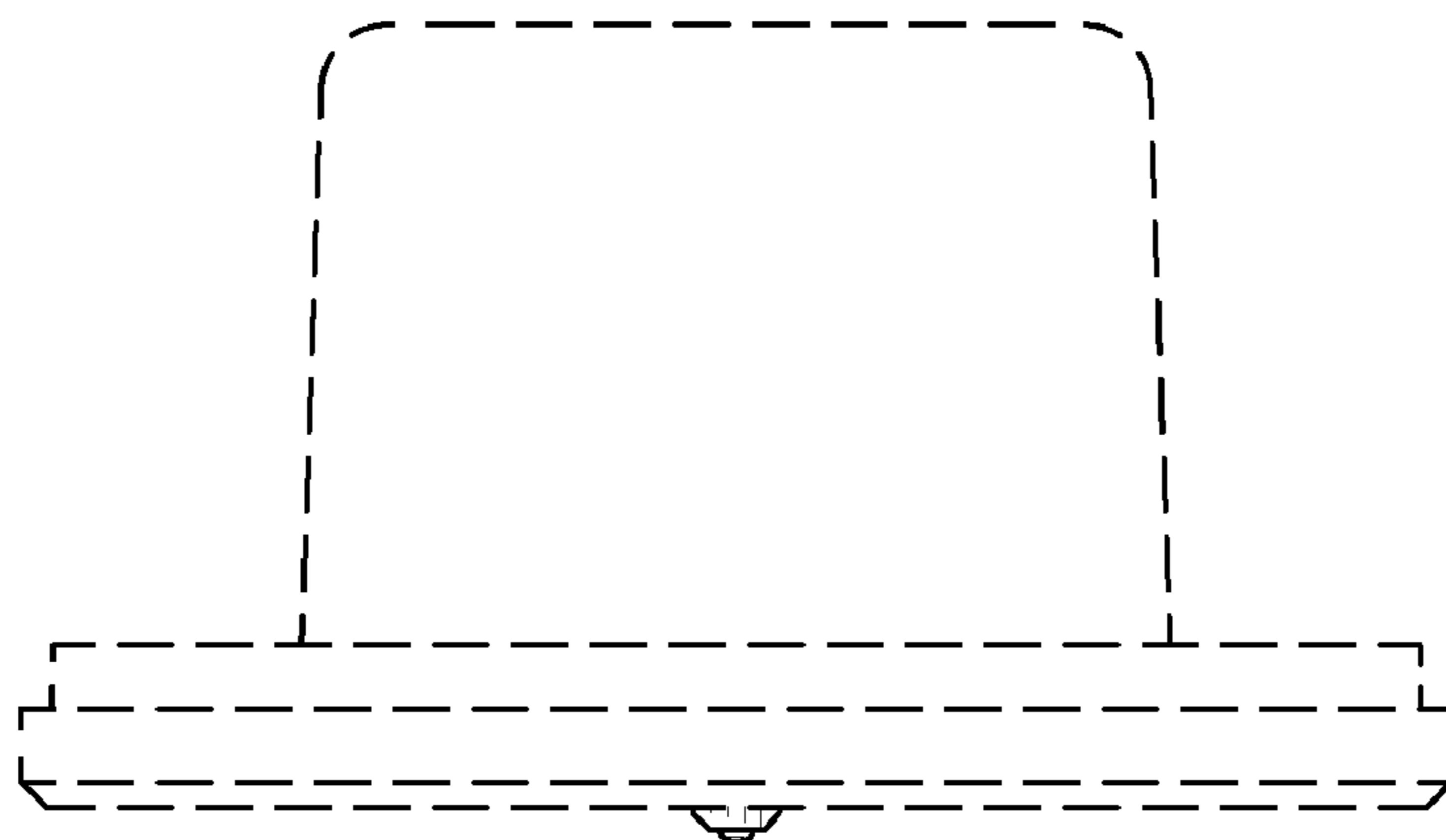


Fig. 5

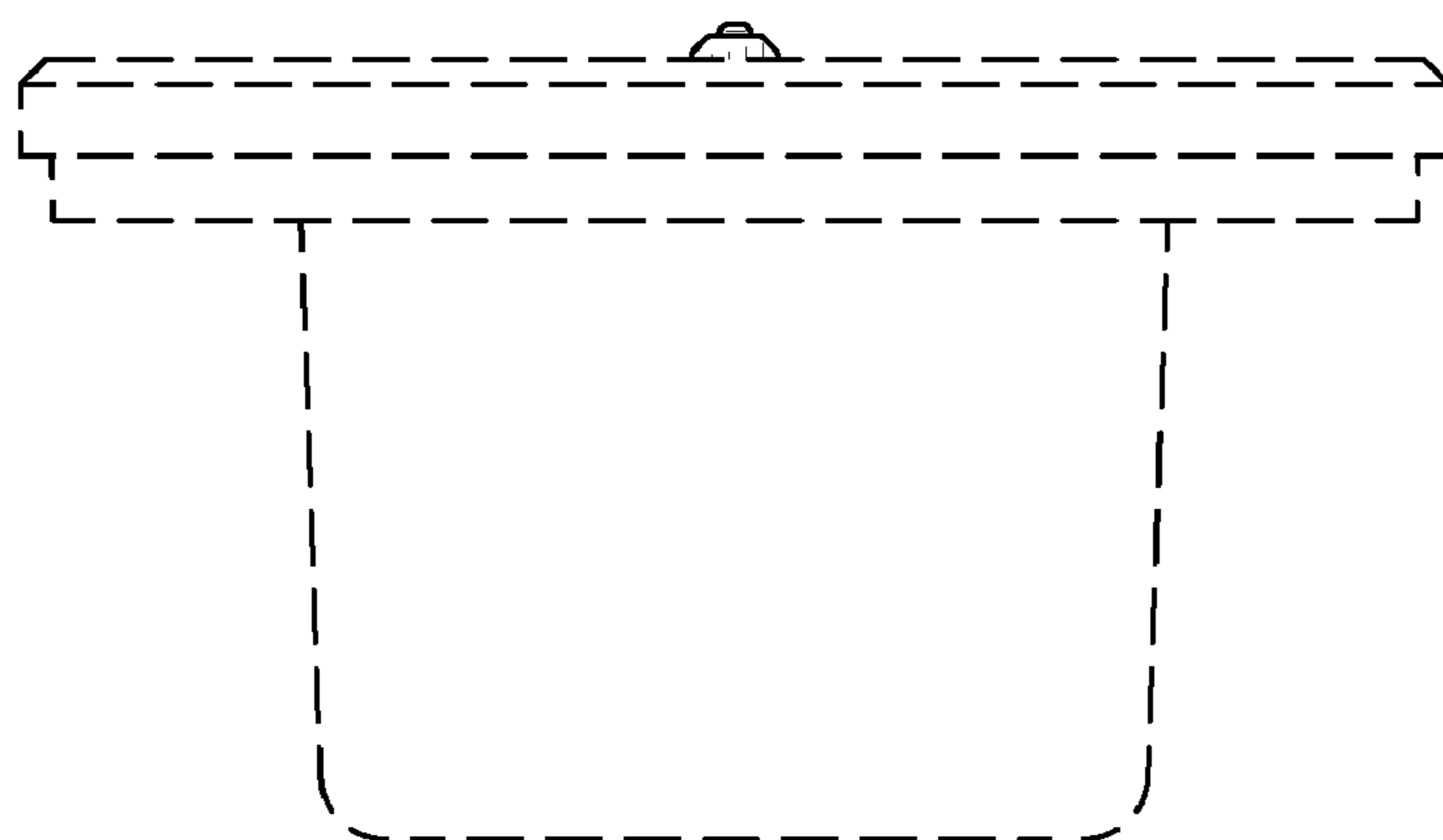


Fig. 6

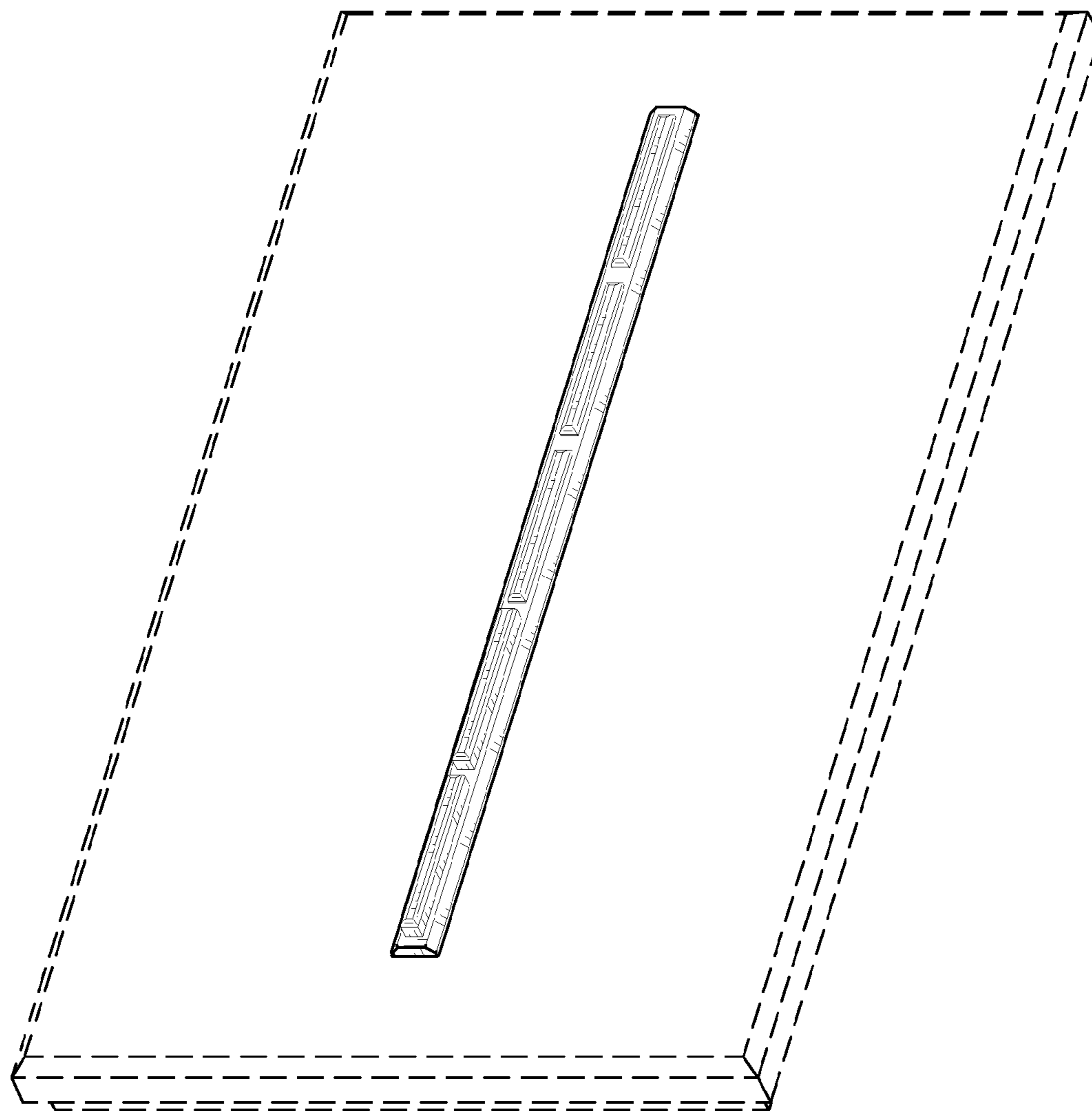


Fig. 7

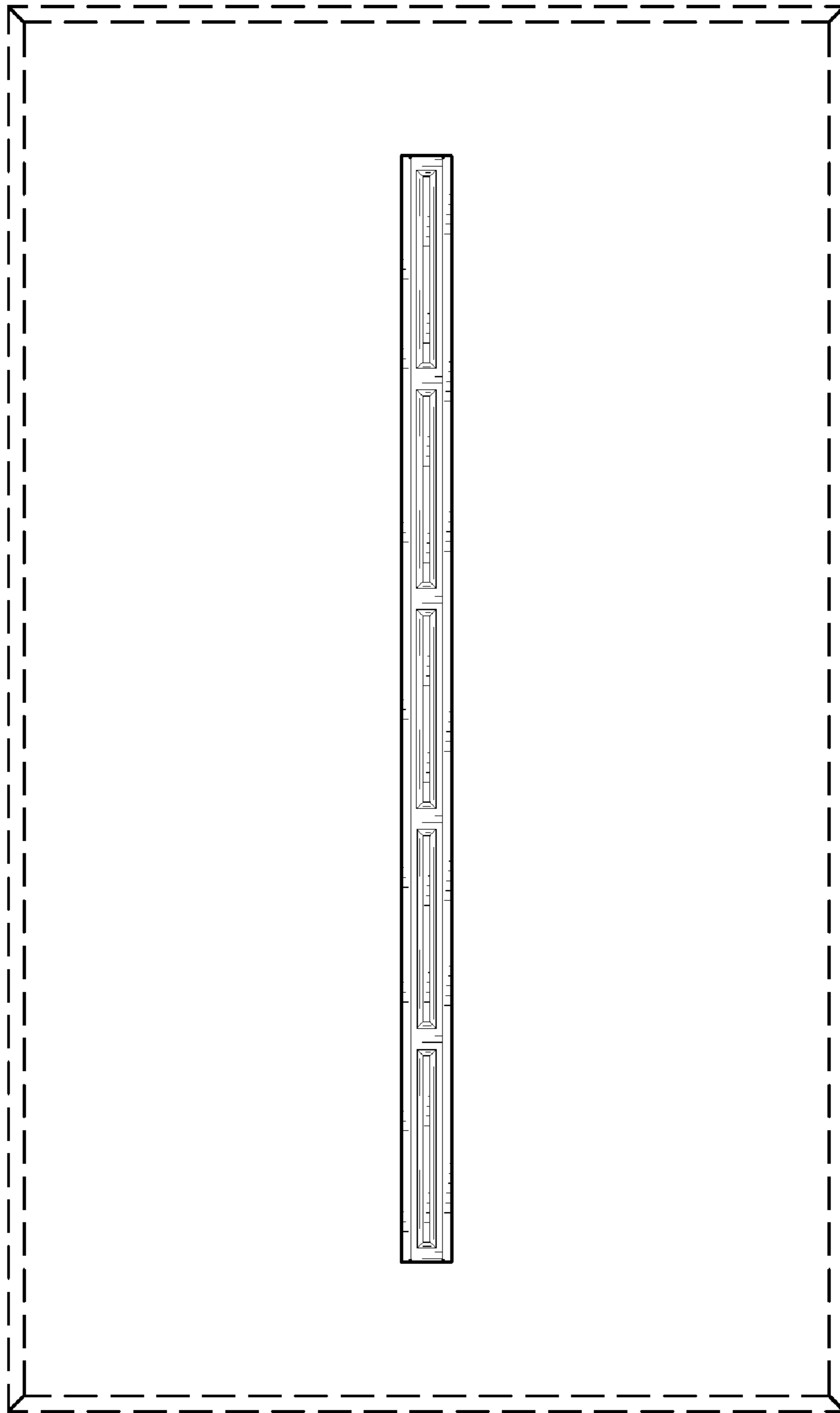


Fig. 8



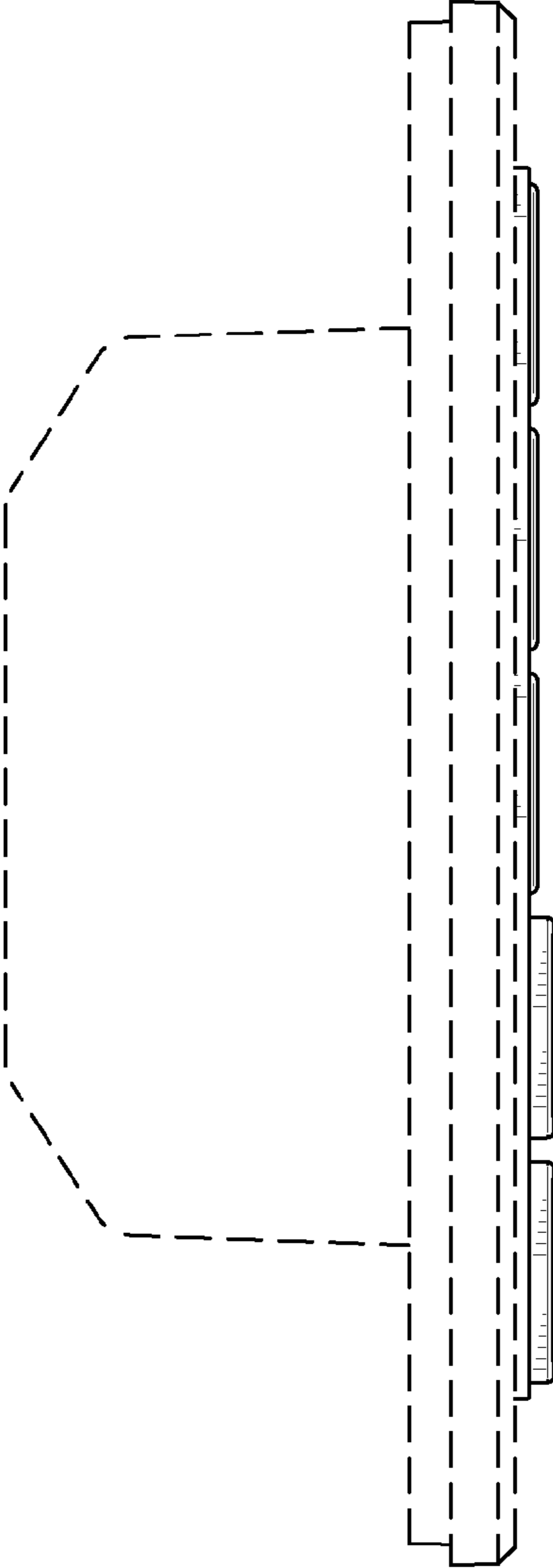


Fig. 9

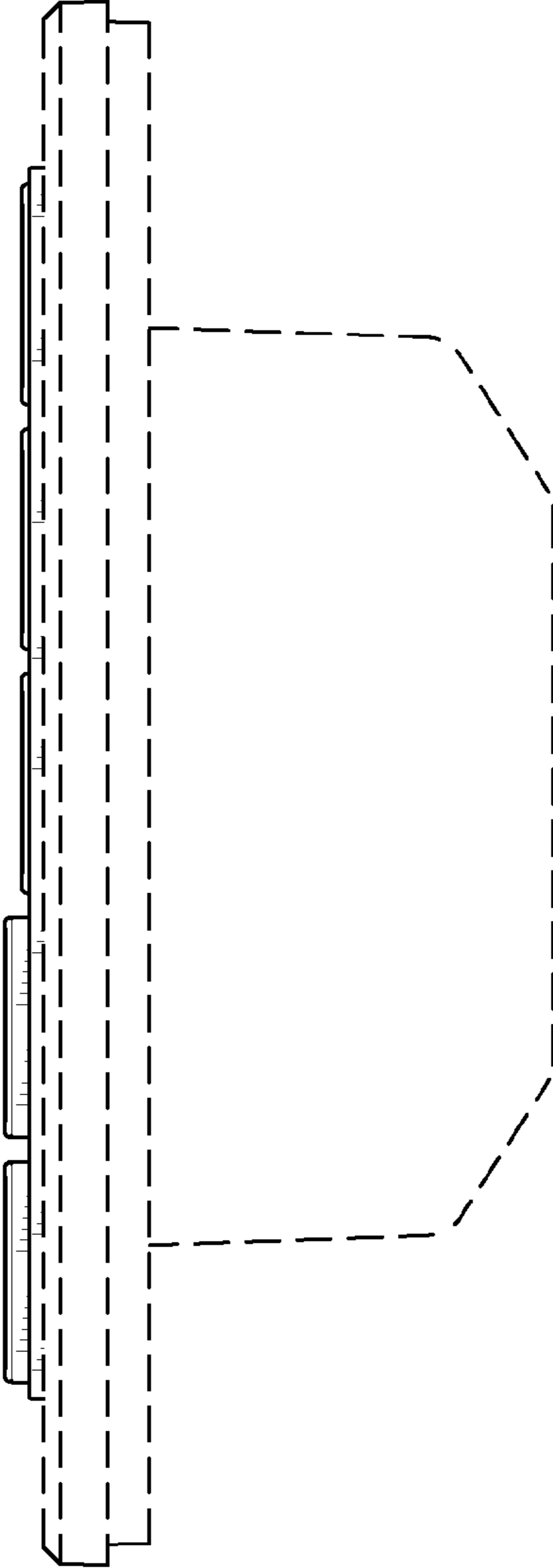


Fig. 10

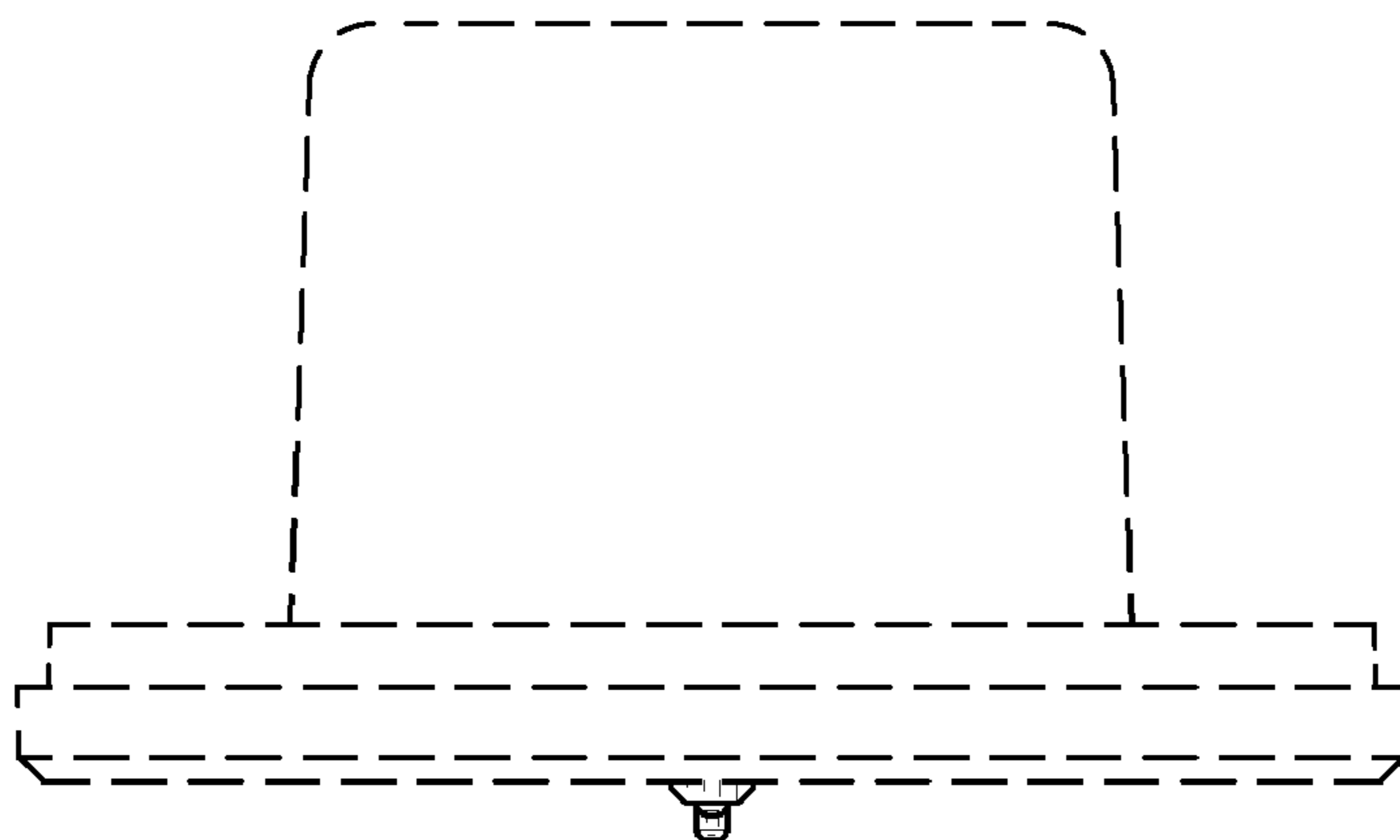


Fig. 11

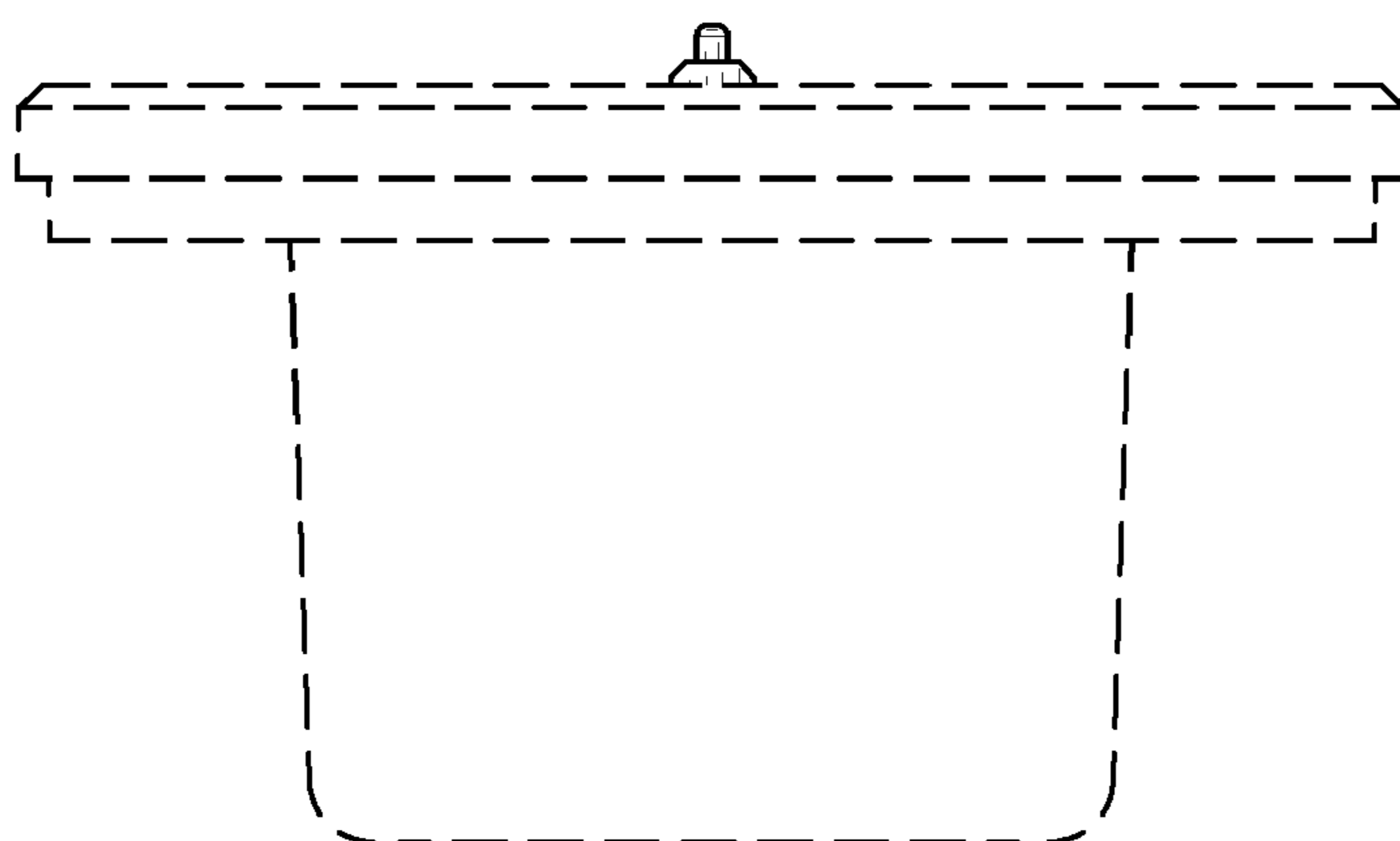


Fig. 12

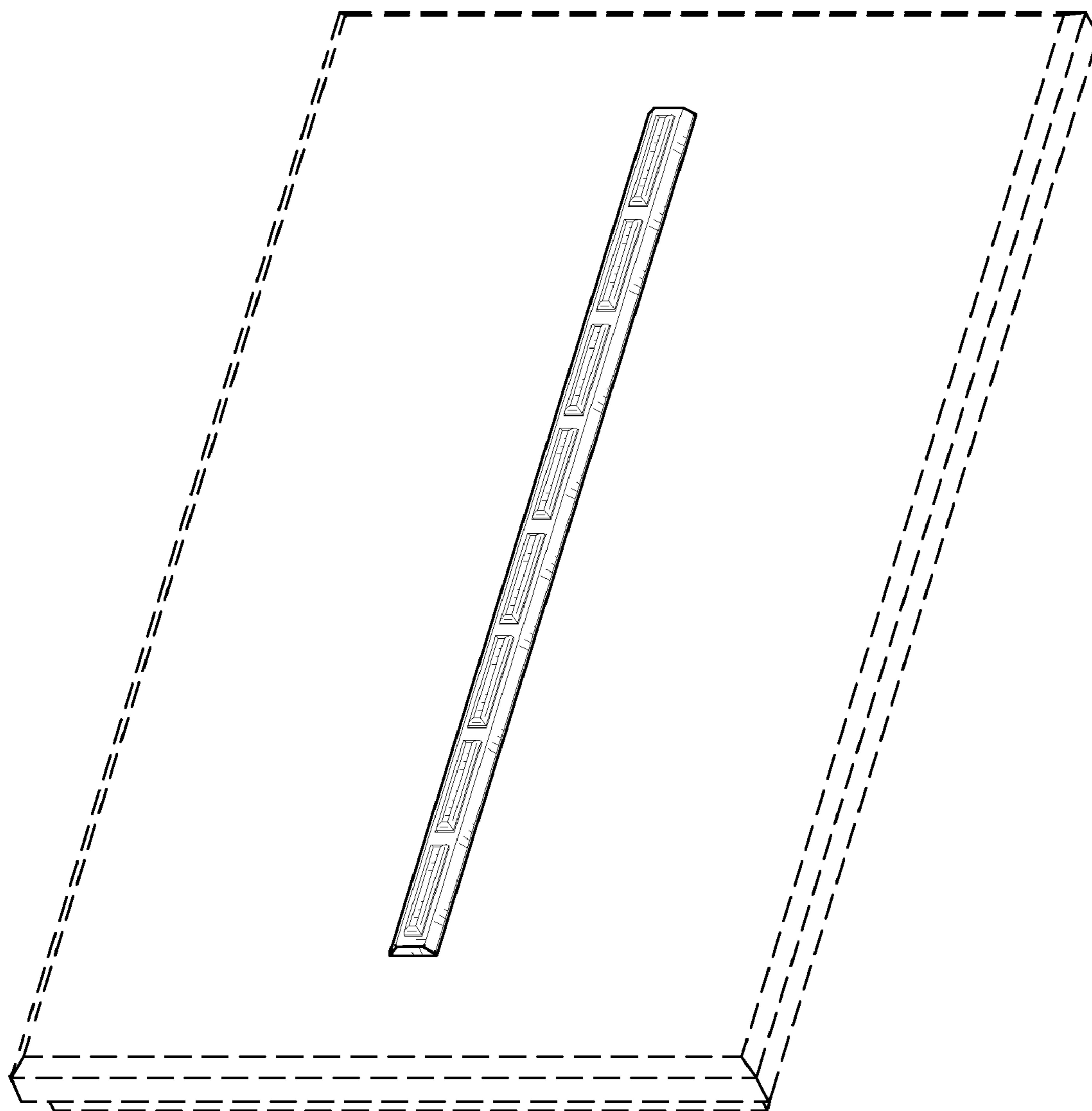


Fig. 13

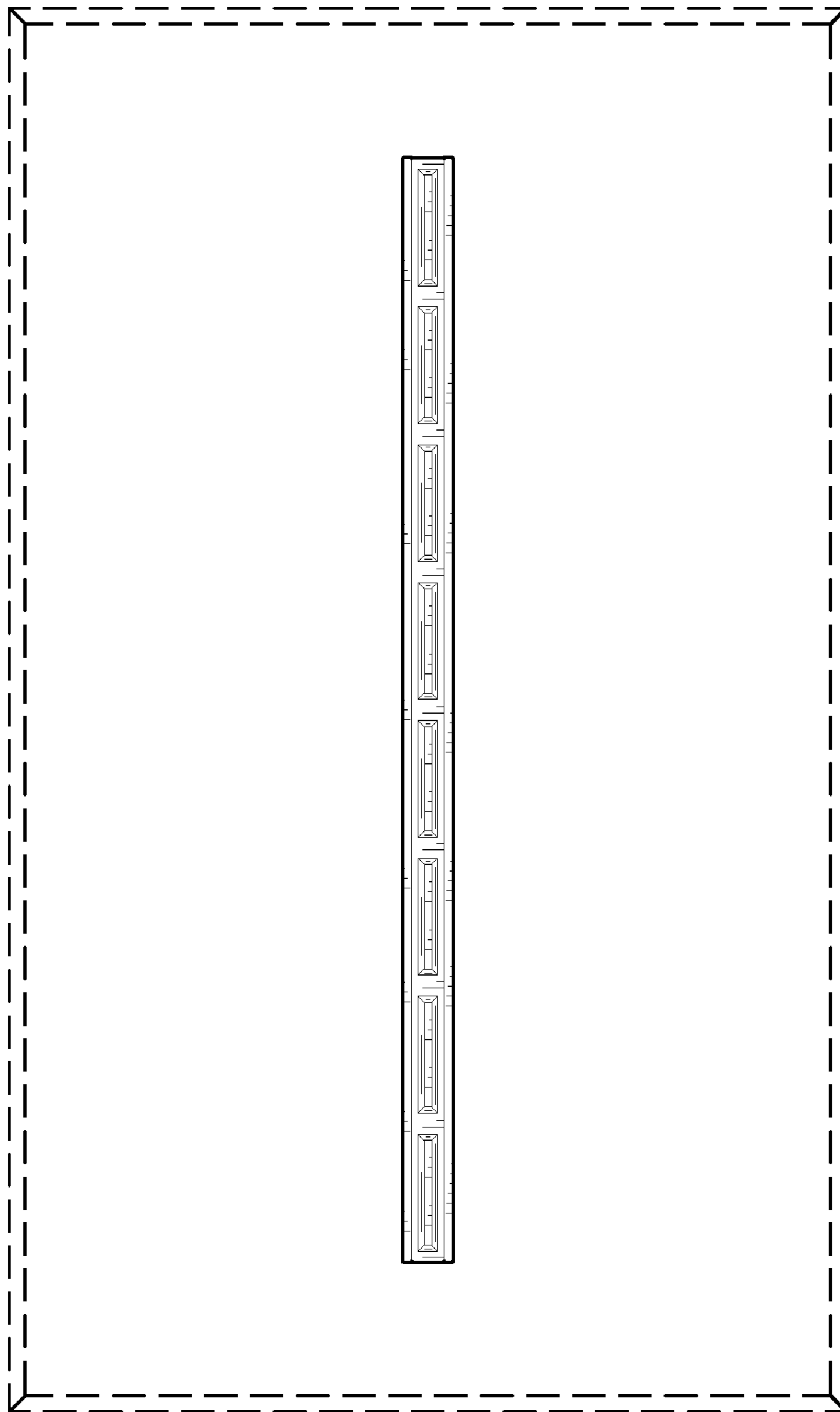


Fig. 14

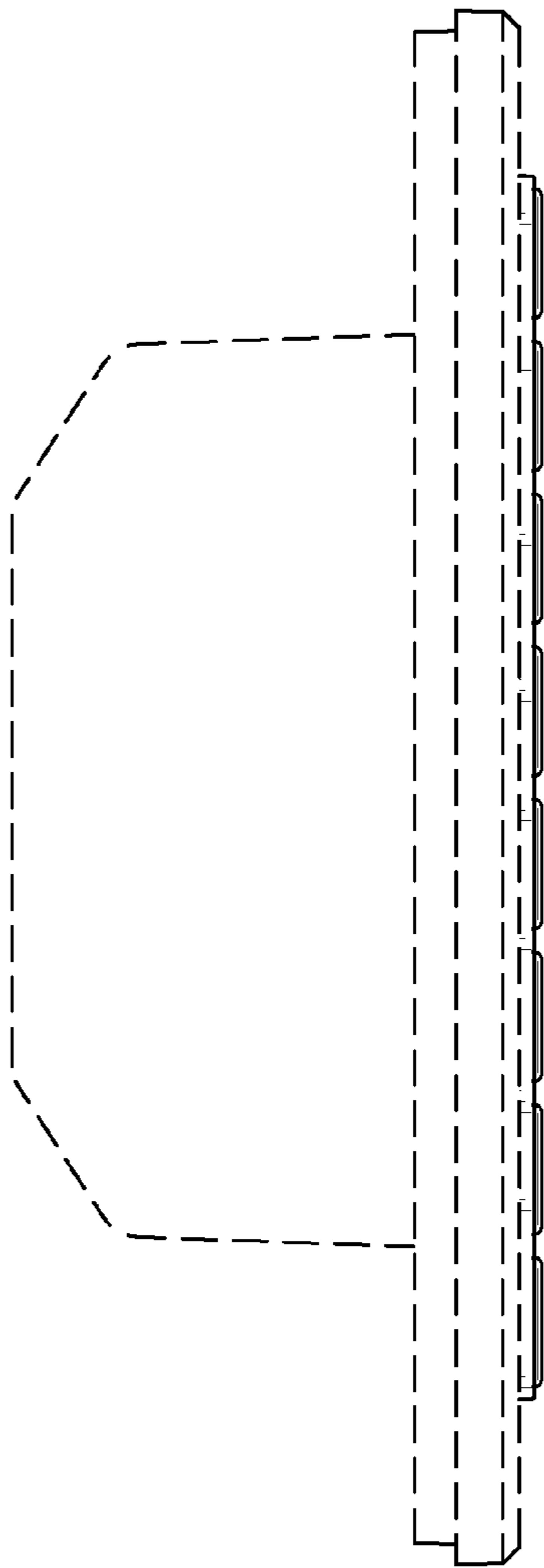


Fig. 15

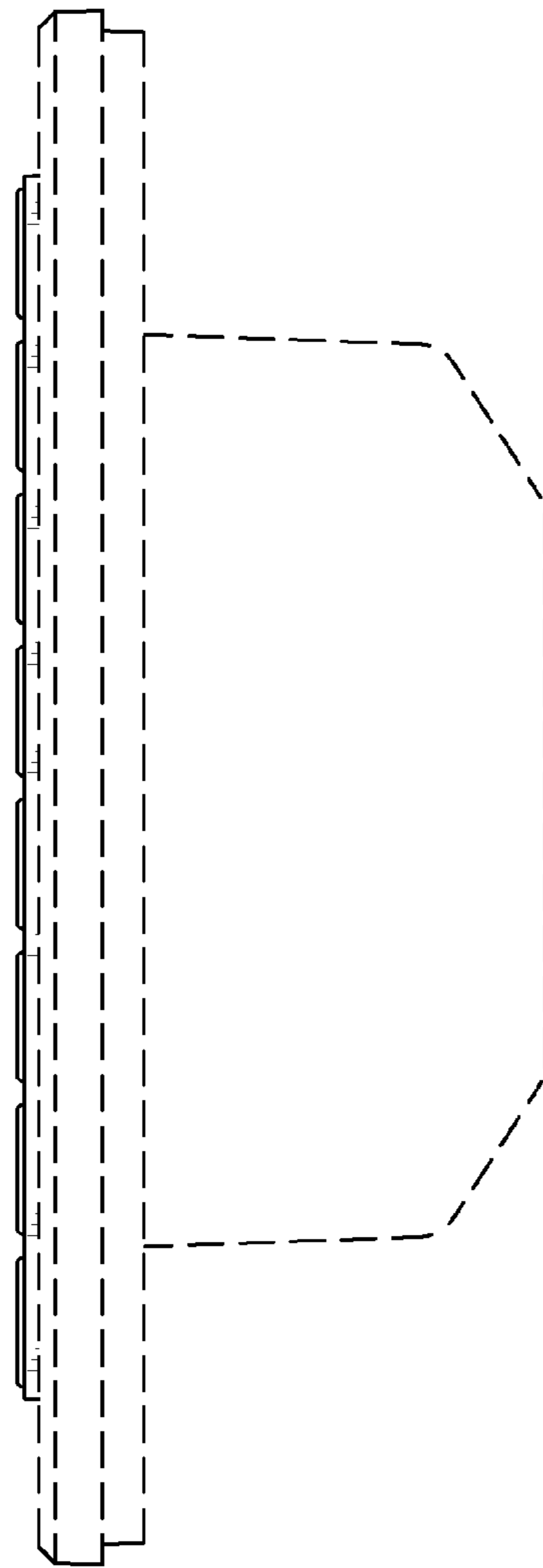


Fig. 16

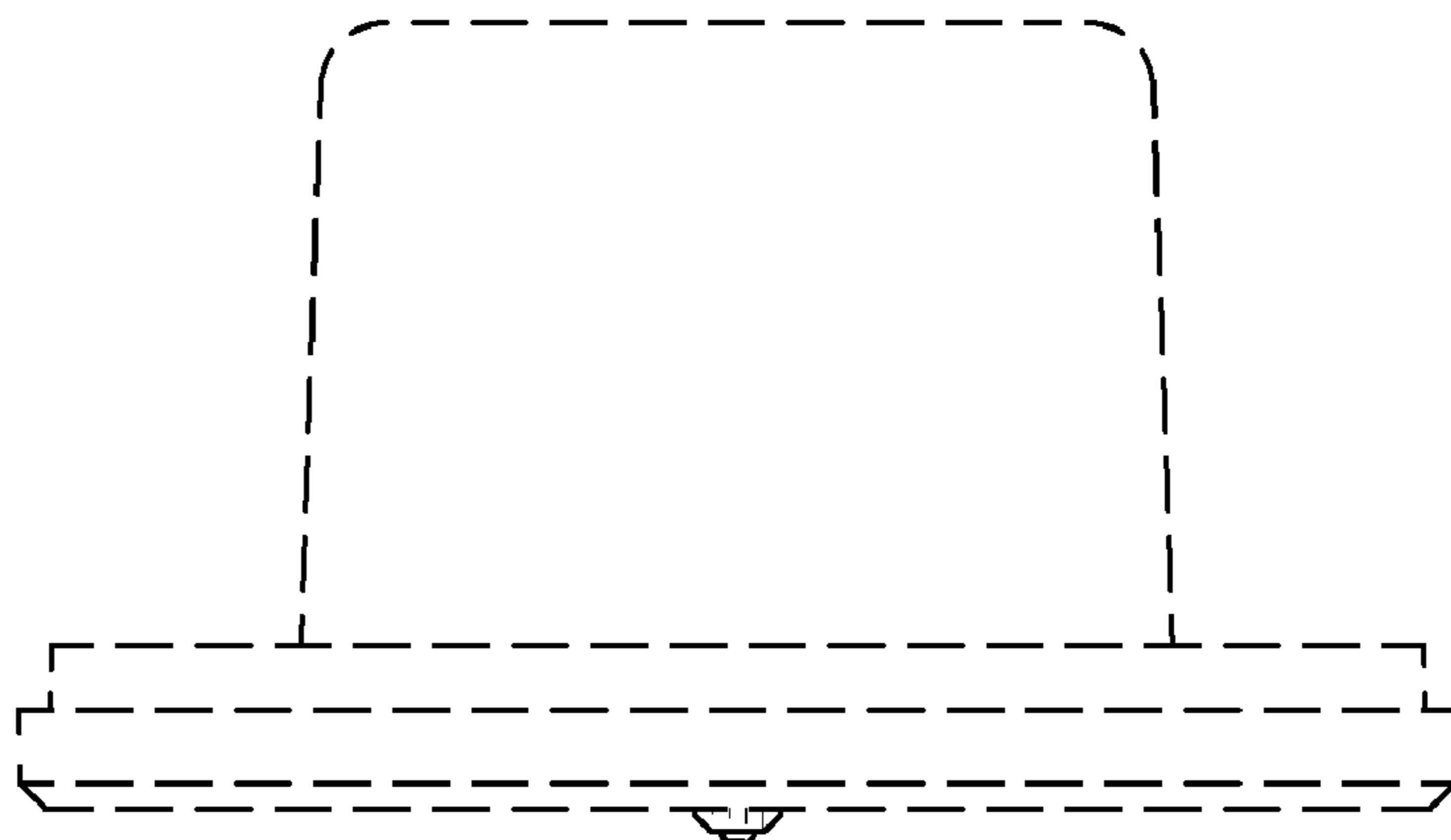


Fig. 17

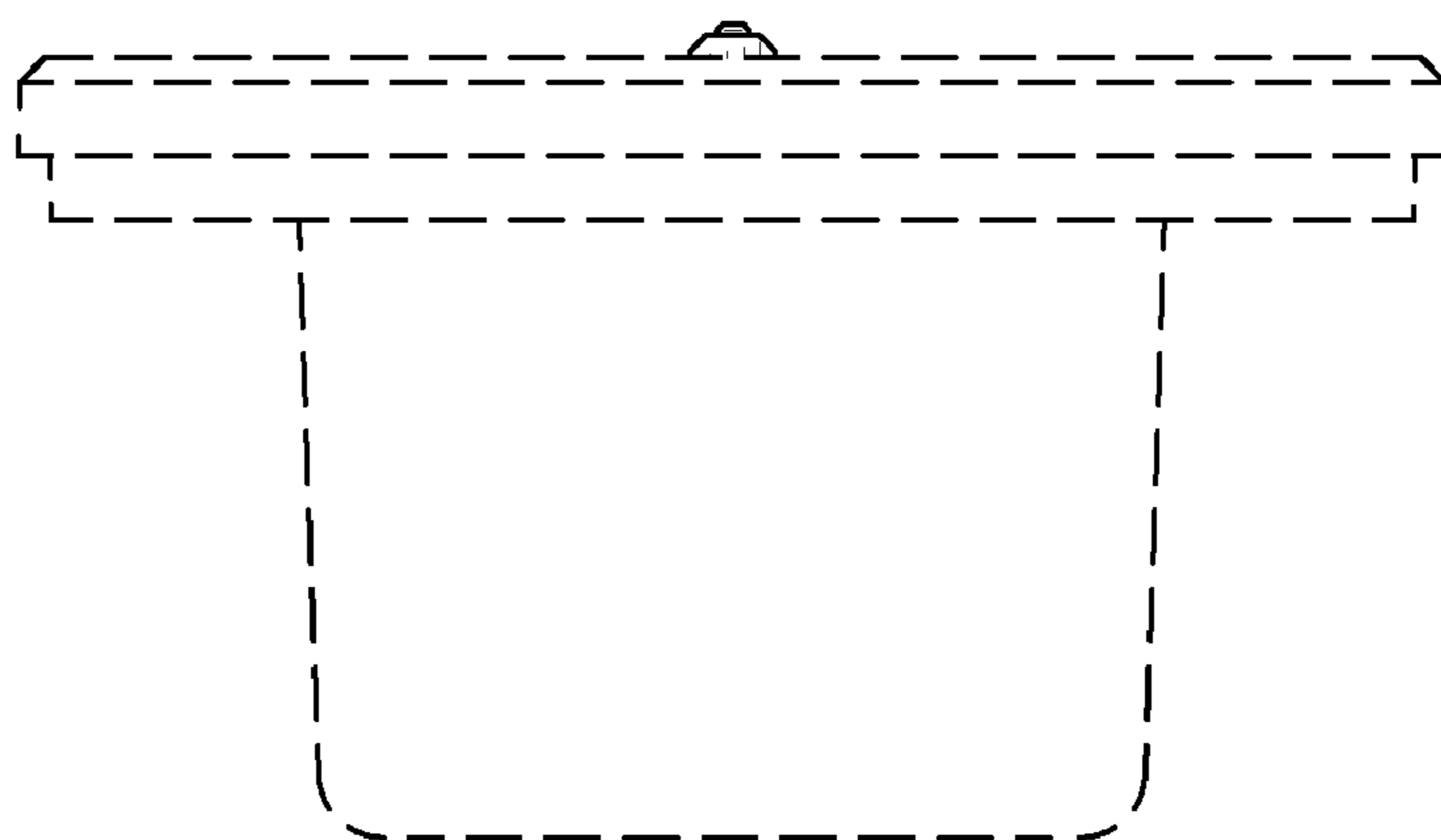


Fig. 18

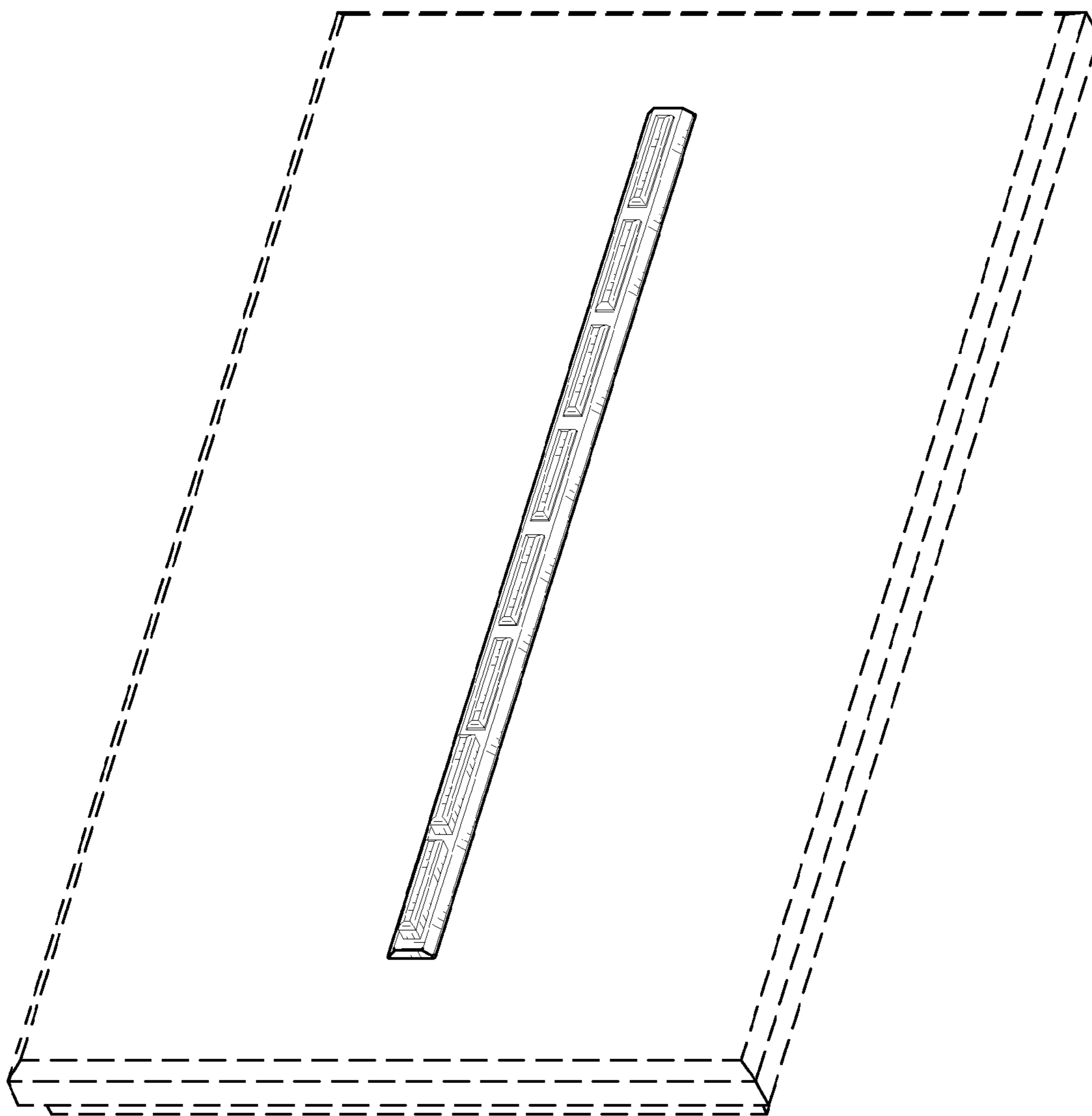


Fig. 19

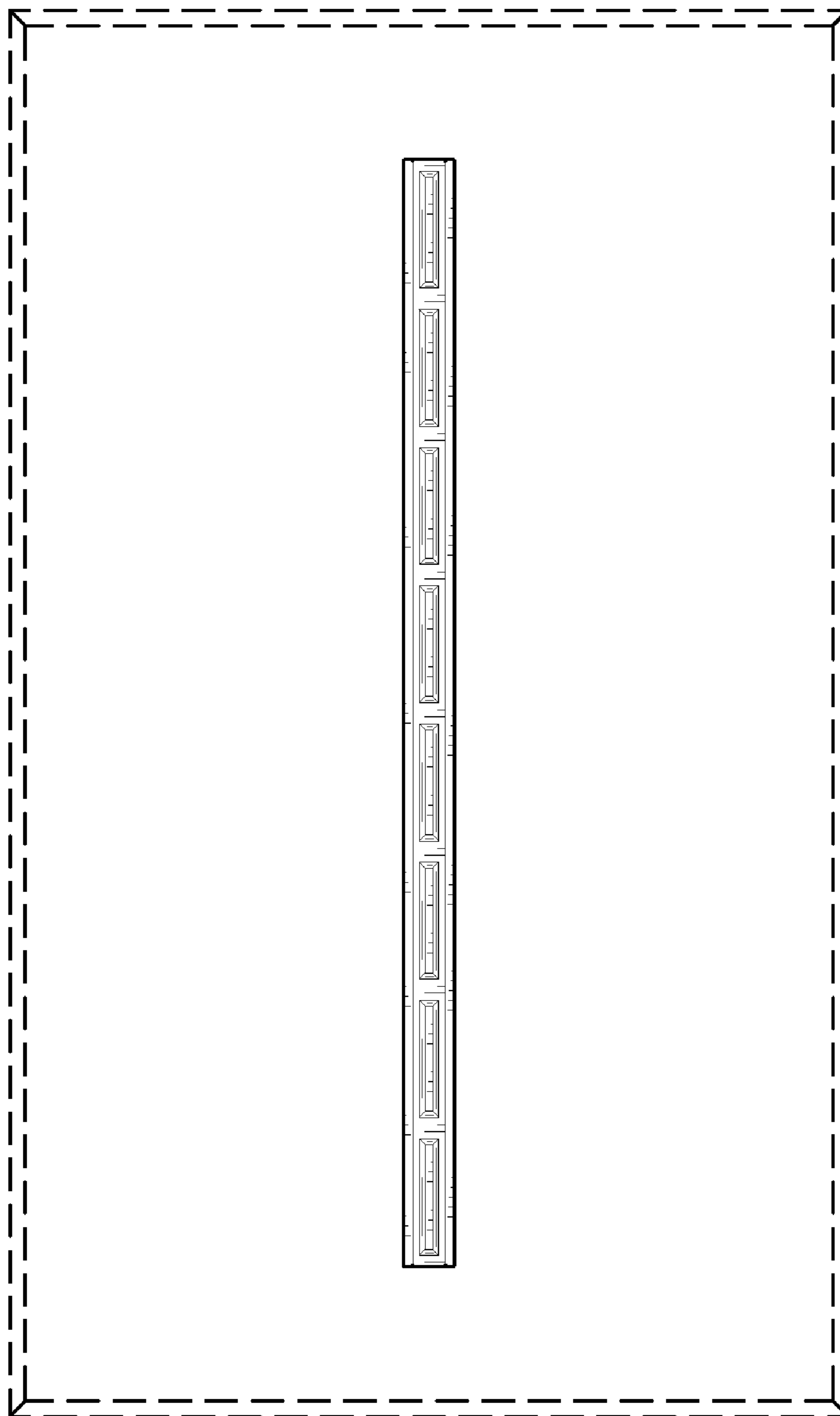


Fig. 20



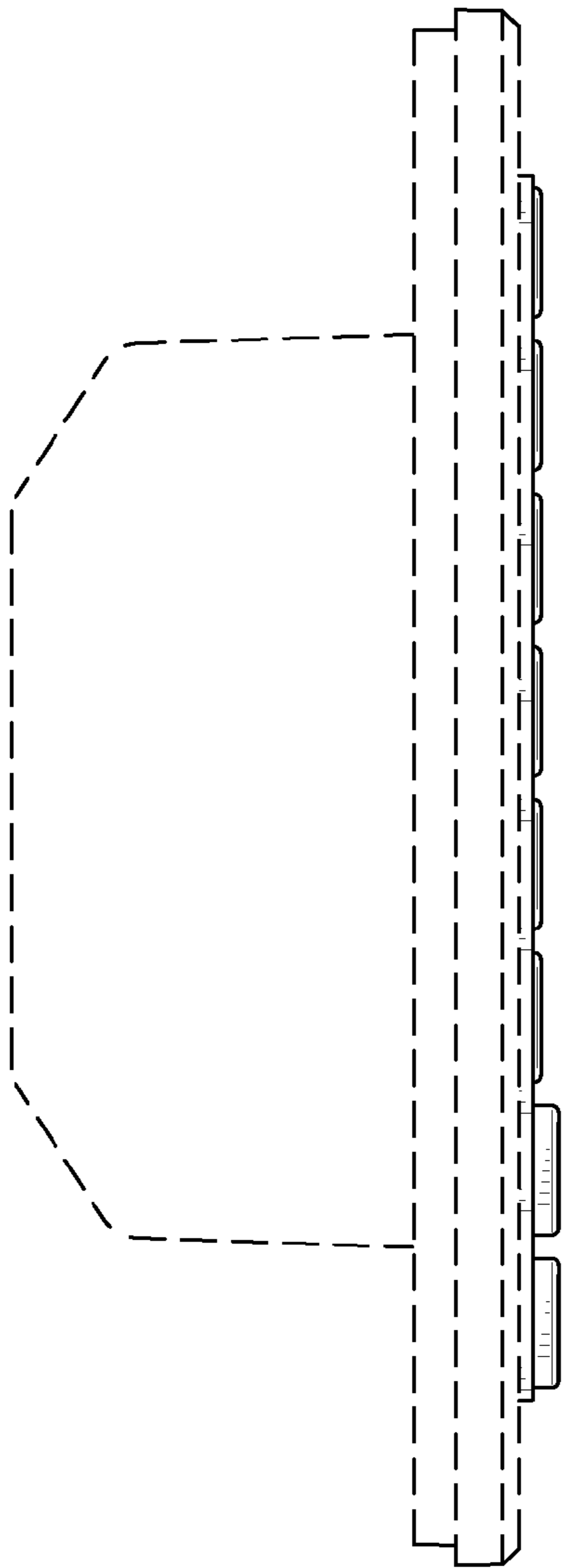


Fig. 21

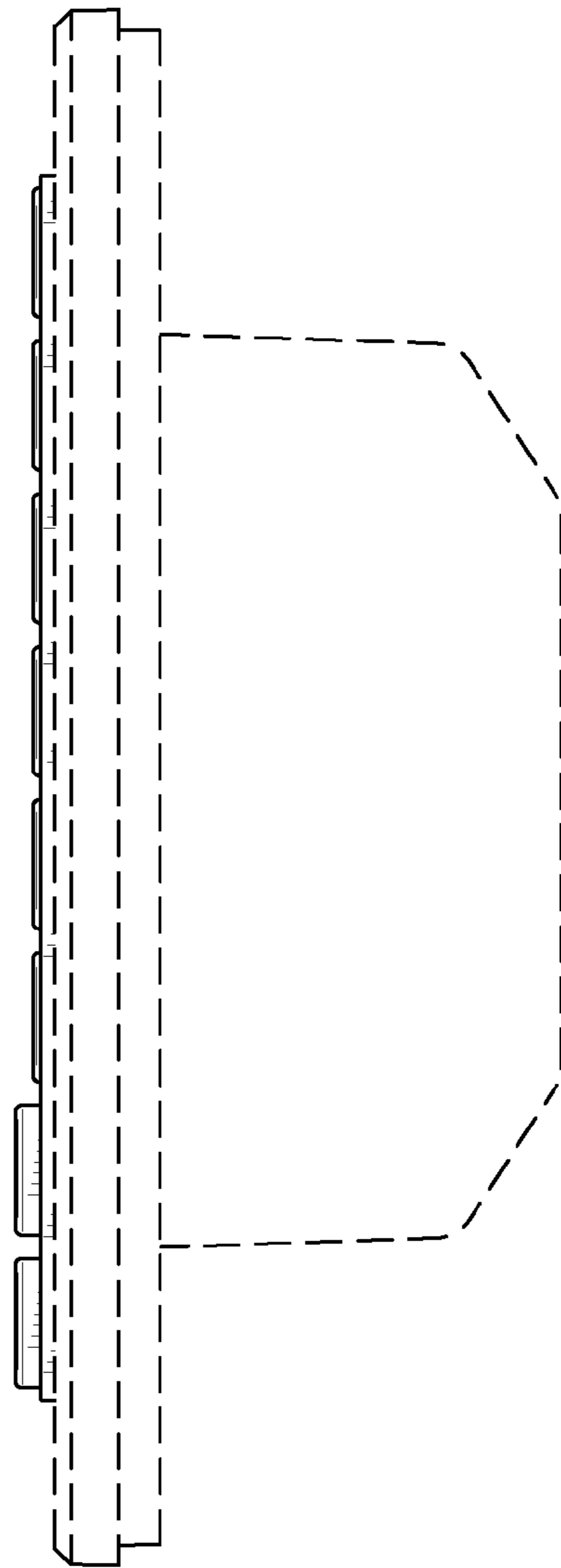


Fig. 22

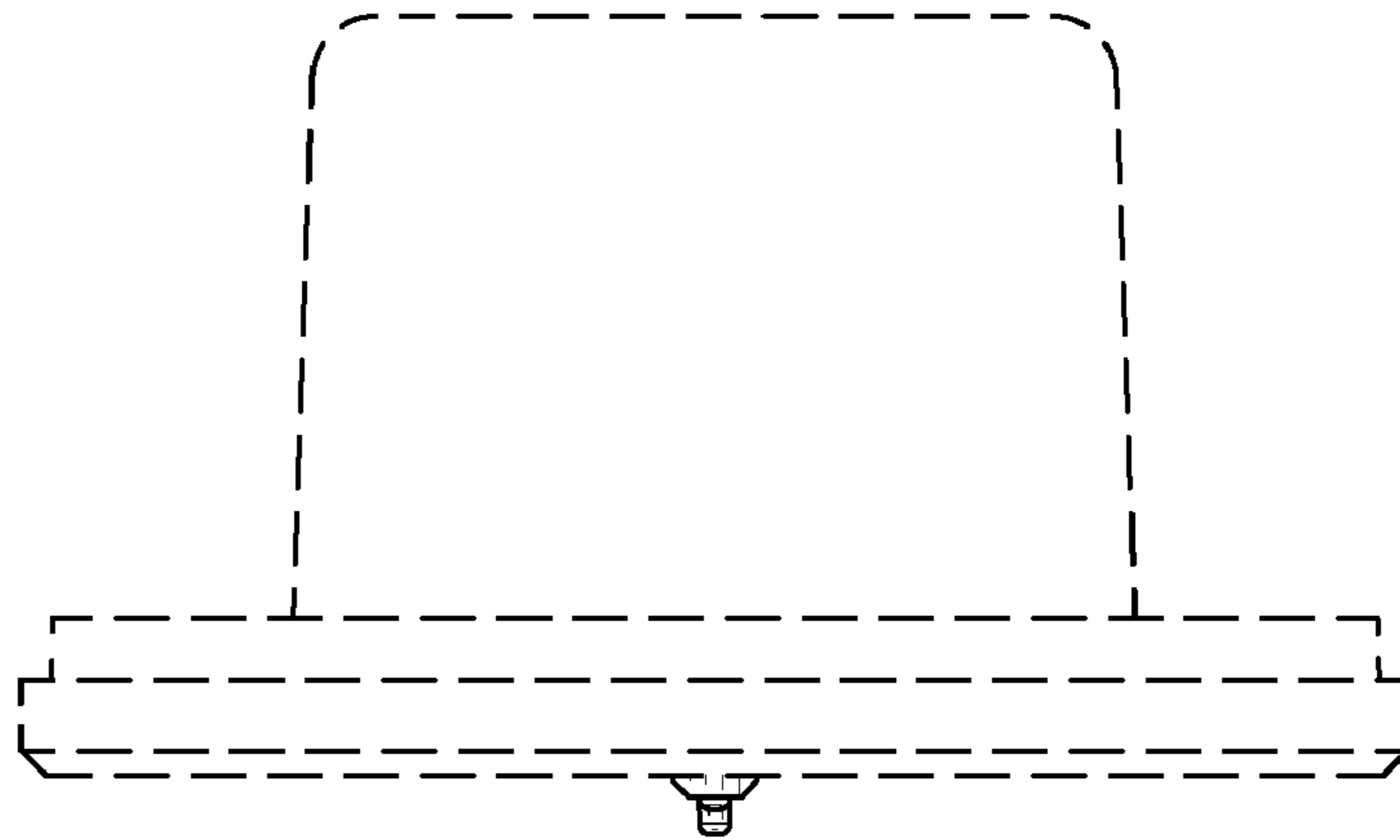


Fig. 23

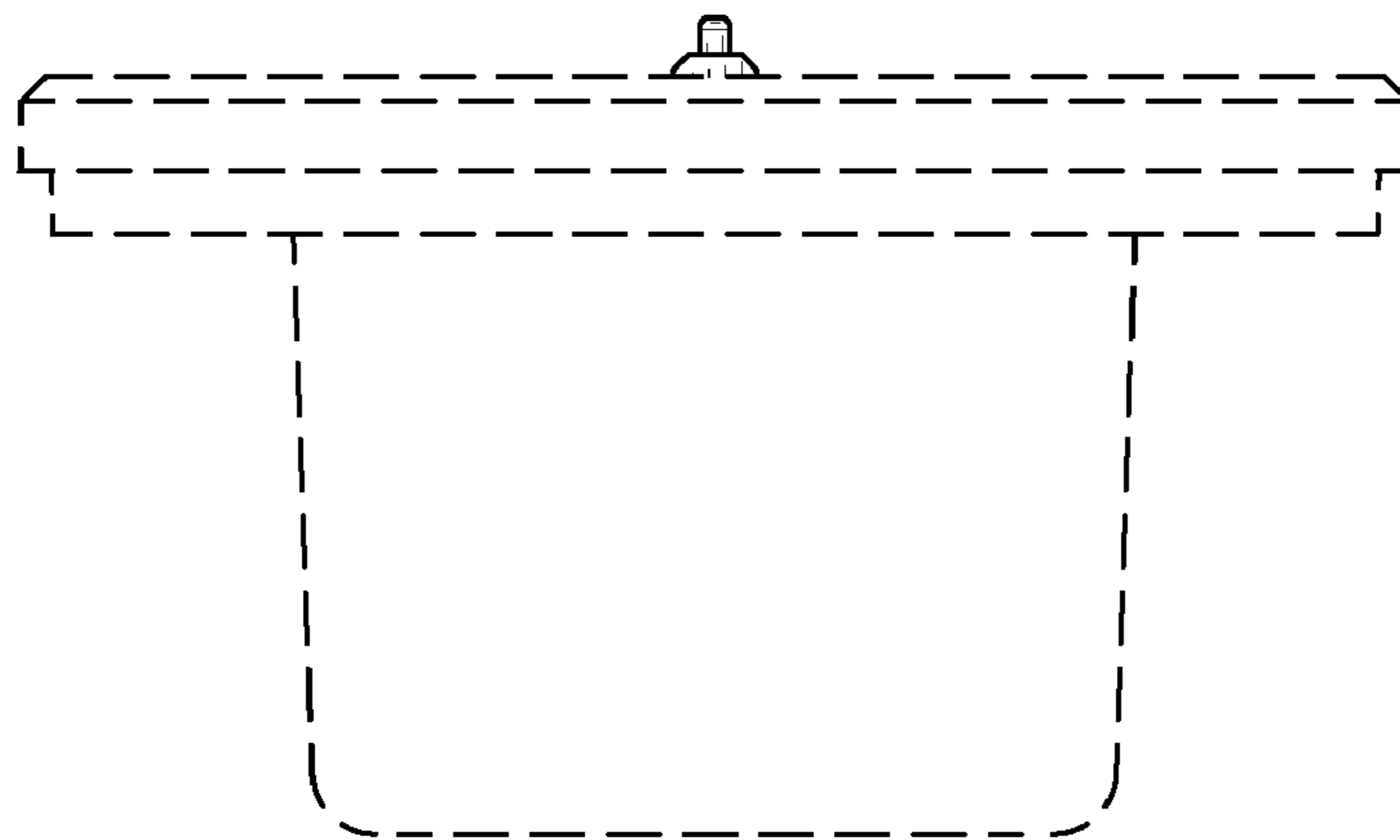


Fig. 24