



US00D624877S

(12) **United States Design Patent**
Daniels et al.

(10) **Patent No.:** **US D624,877 S**
(45) **Date of Patent:** **** Oct. 5, 2010**

(54) **COMBINED JUMP STARTER AND AIR COMPRESSOR**

D549,644 S 8/2007 Hulden
D585,822 S * 2/2009 Hsu D13/107
D609,634 S * 2/2010 Daniels et al. D13/107

(75) Inventors: **David Daniels**, Palatine, IL (US); **Alan William Olsberg**, Schaumburg, IL (US)

* cited by examiner

(73) Assignee: **Old World Industries, Inc.**, Northbrook, IL (US)

Primary Examiner—Rosemary K Tarcza
(74) *Attorney, Agent, or Firm*—McAndrews, Held & Malloy, Ltd.

(**) Term: **14 Years**

(21) Appl. No.: **29/355,783**

(22) Filed: **Feb. 12, 2010**

(57) **CLAIM**

Related U.S. Application Data

The ornamental design for a combined jump starter and air compressor, as shown and described.

(63) Continuation of application No. 29/341,303, filed on Aug. 3, 2009, now Pat. No. Des. 609,635.

DESCRIPTION

(51) **LOC (9) Cl.** **13-02**

FIG. 1 is a front perspective view of a first embodiment of a combined jump starter and air compressor showing our new design;

(52) **U.S. Cl.** **D13/107; D13/110; D15/9**

FIG. 2 is a front elevation view thereof;

(58) **Field of Classification Search** D13/102–103, D13/107–110, 118–119, 133, 144, 184; 320/103–105, 320/107–115; D15/7–9; D23/231, 232; 417/410.1, 359, 415–416, 234, 321, 265, 417/405

FIG. 3 is a rear elevation view thereof;

FIG. 4 is a left side elevation view thereof;

FIG. 5 is a right side elevation view thereof;

See application file for complete search history.

FIG. 6 is a top plan view thereof;

FIG. 7 is a bottom plan view thereof;

FIG. 8 is a rear perspective view thereof;

(56) **References Cited**

U.S. PATENT DOCUMENTS

- 6,002,235 A * 12/1999 Clore 320/105
- D475,721 S * 6/2003 Harper et al. D15/9
- D484,852 S 1/2004 James et al.
- D493,137 S 7/2004 Casarella
- D503,377 S 3/2005 Krieger et al.
- D503,378 S 3/2005 Hussaini et al.
- D504,396 S 4/2005 Hussaini et al.
- D504,870 S 5/2005 Krieger et al.
- D508,675 S 8/2005 Krieger et al.
- D513,604 S 1/2006 Krieger et al.
- D523,395 S 6/2006 Krieger et al.
- D529,926 S * 10/2006 Krieger et al. D15/9
- D530,665 S * 10/2006 Krieger et al. D13/107
- D530,666 S 10/2006 Krieger et al.
- D541,309 S * 4/2007 Wang et al. D15/9
- D545,269 S 6/2007 Dayan
- D545,270 S * 6/2007 Dayan D13/107

FIG. 9 is a front perspective view of a second embodiment of a combined jump starter and air compressor showing our new design;

FIG. 10 is a front elevation view thereof;

FIG. 11 is a rear elevation view thereof;

FIG. 12 is a left side elevation view thereof;

FIG. 13 is a right side elevation view thereof;

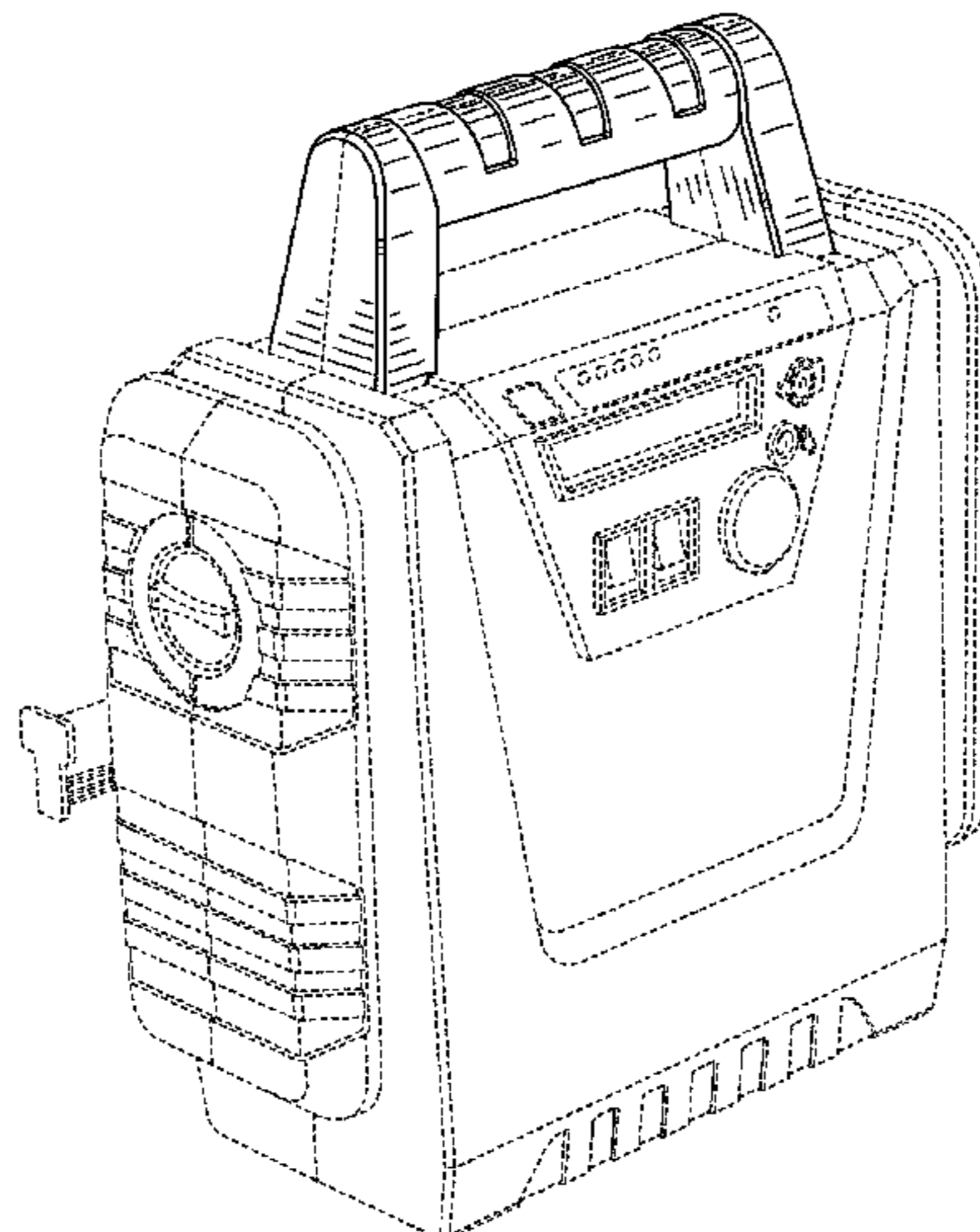
FIG. 14 is a top plan view thereof;

FIG. 15 is a bottom plan view thereof; and,

FIG. 16 is a rear perspective view thereof.

The broken lines in the drawings represent environmental subject matter and form no part of the claimed design.

1 Claim, 16 Drawing Sheets



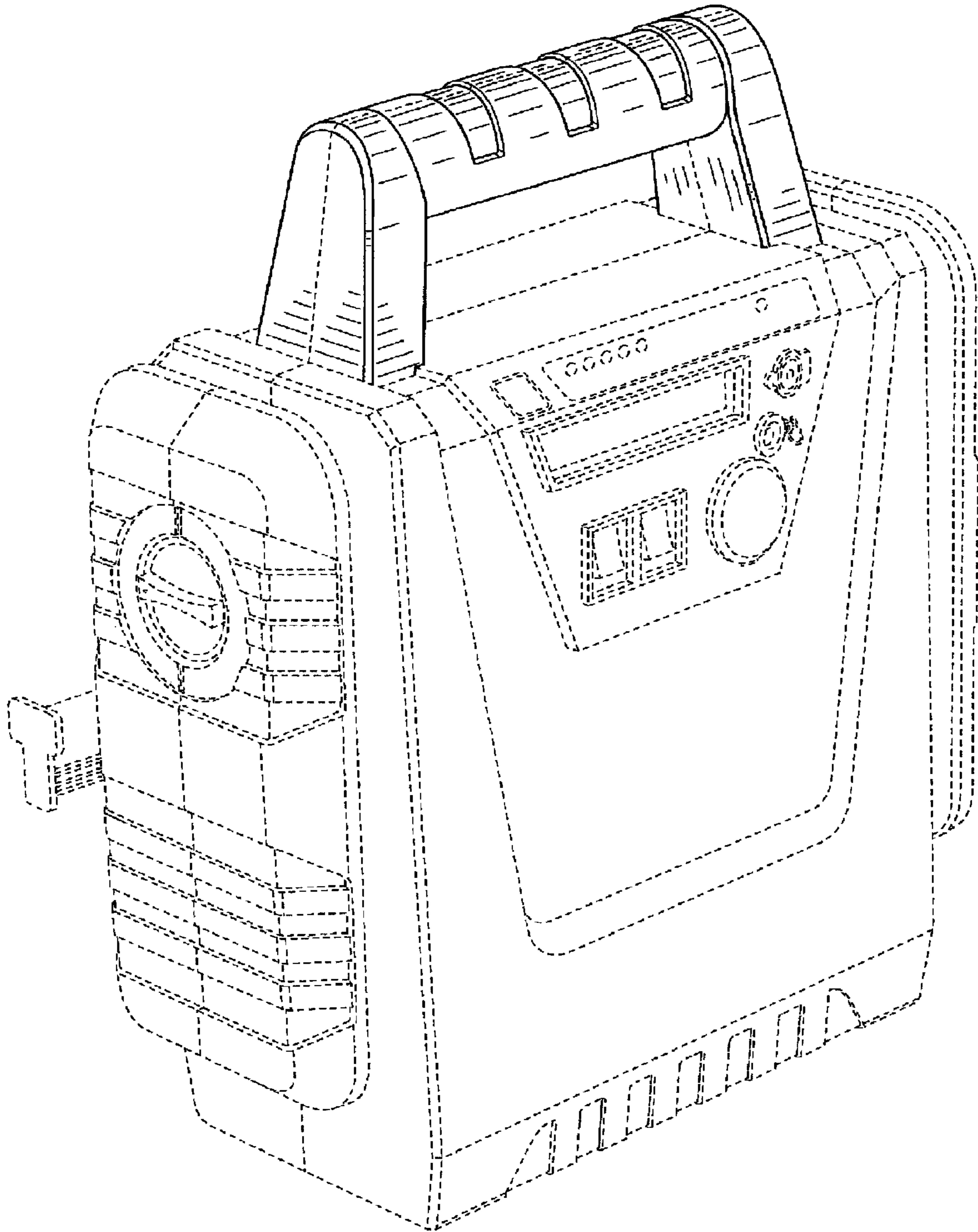


FIG. 1

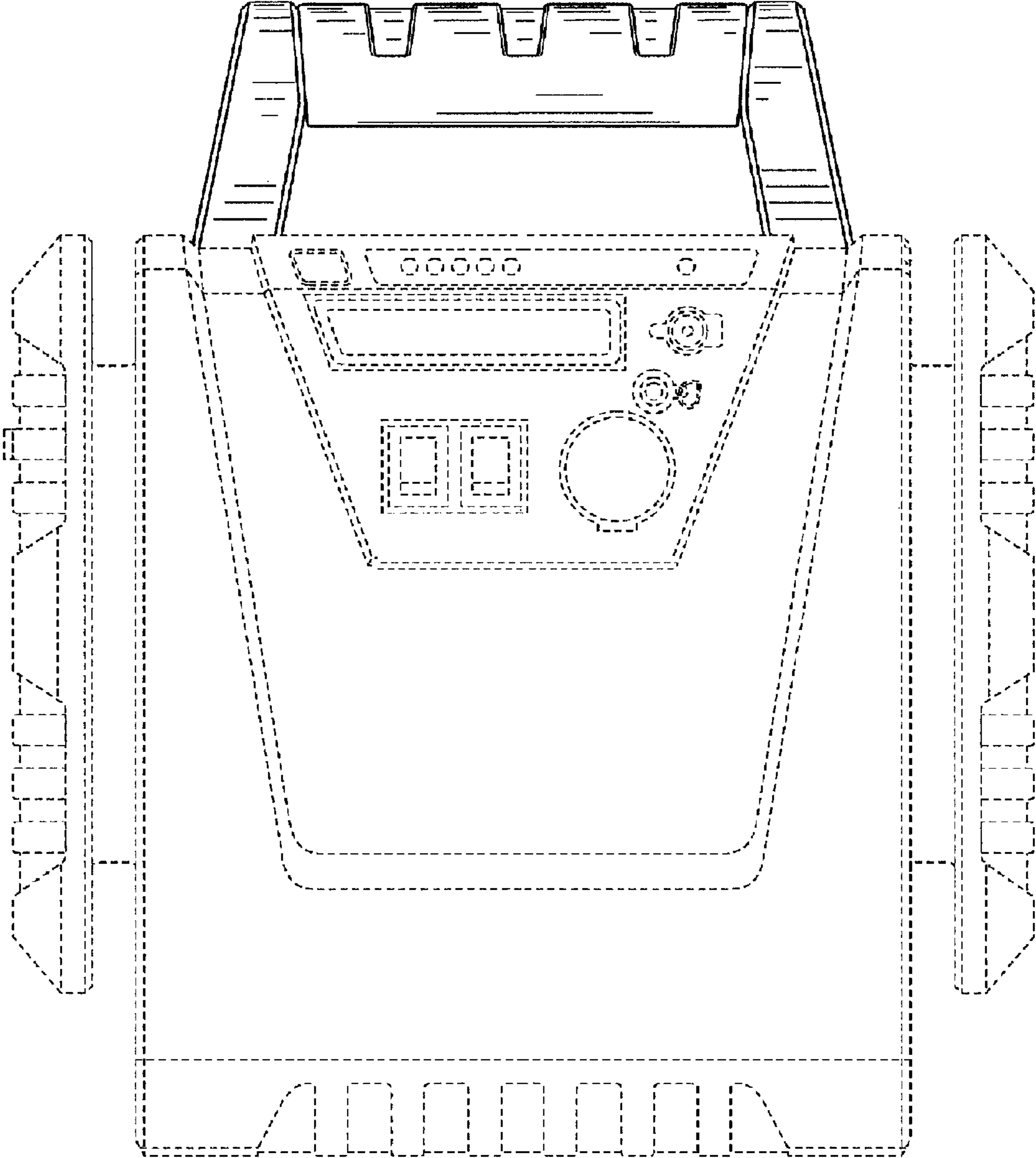


FIG. 2

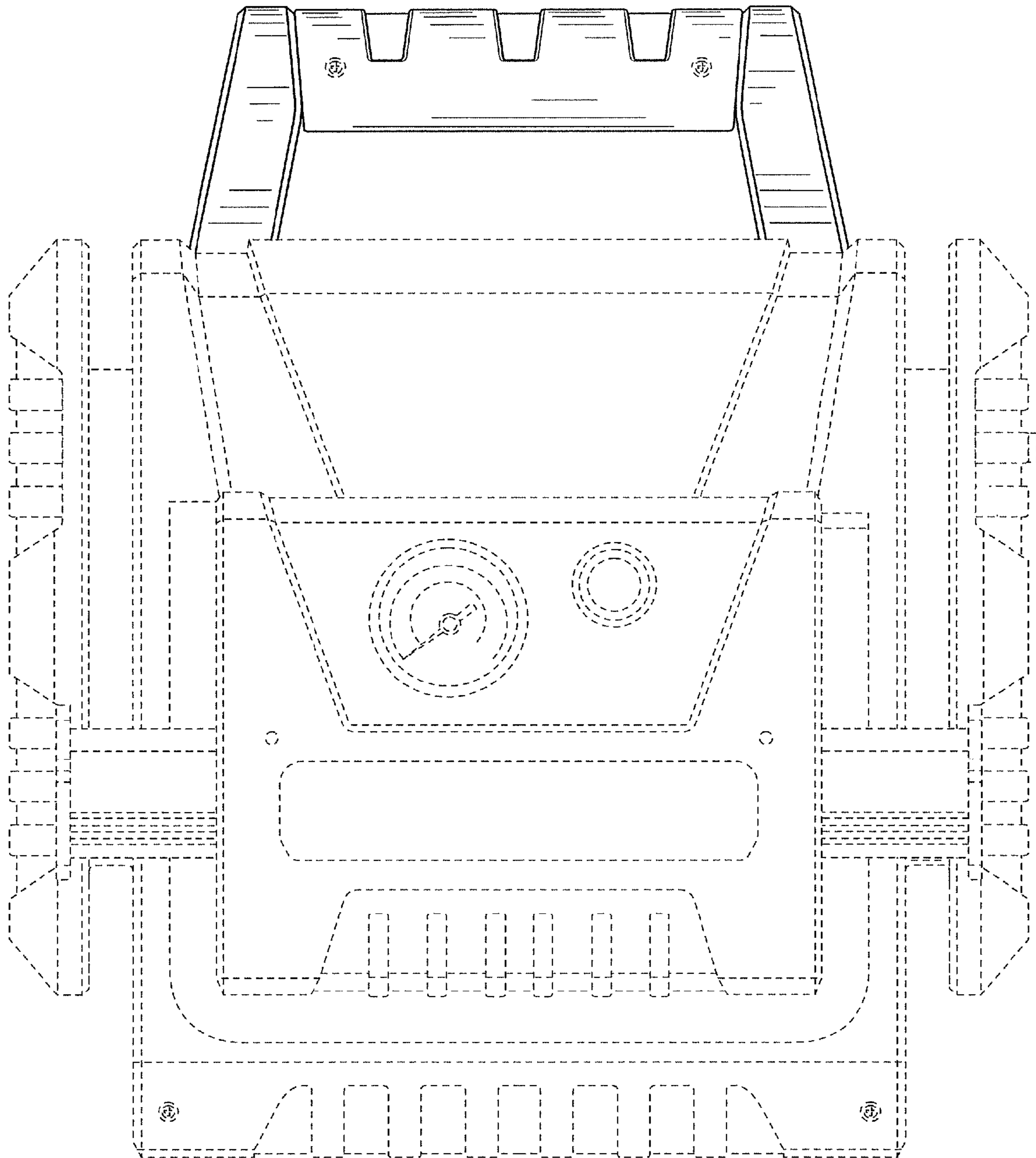


FIG. 3

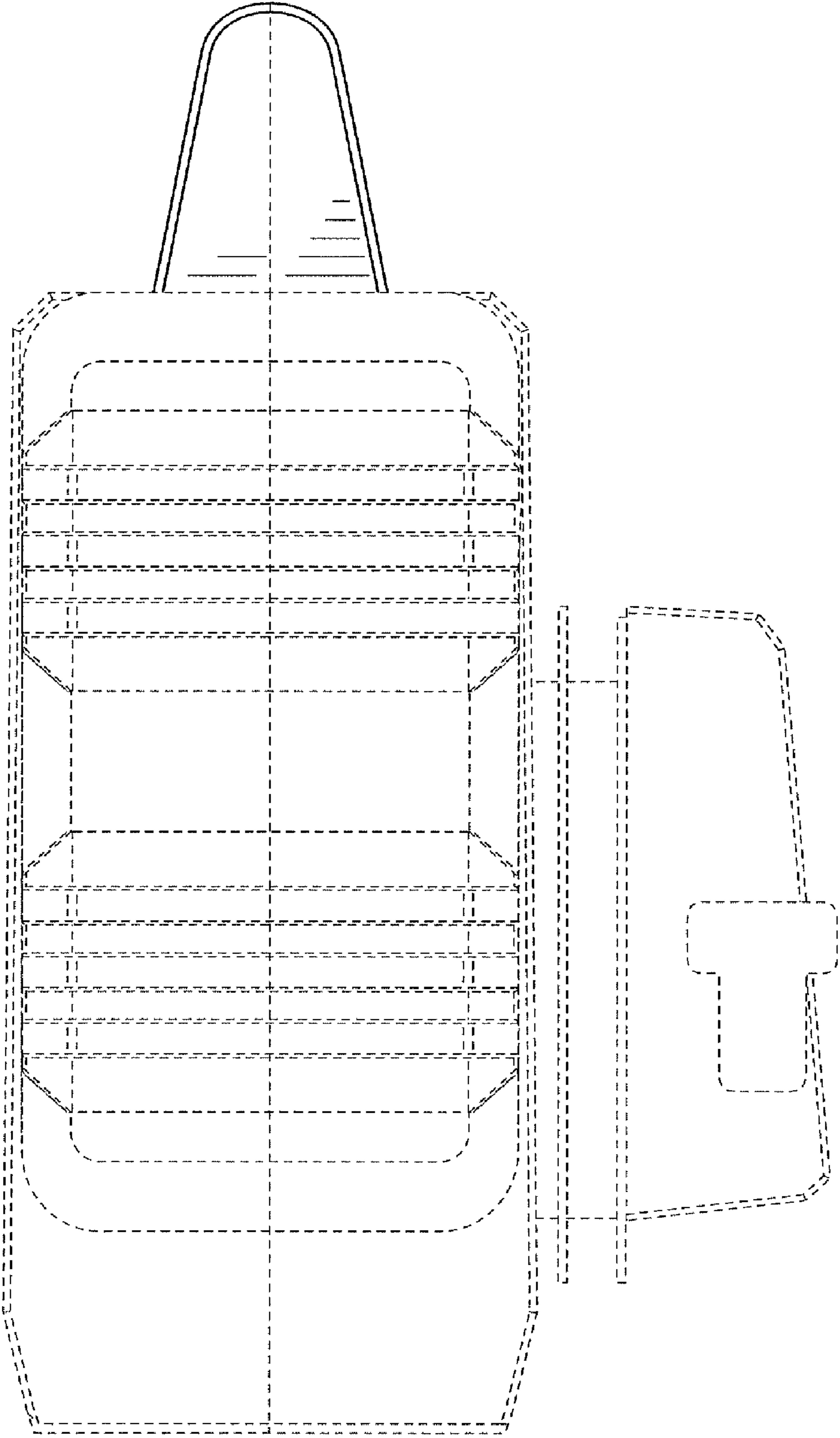


FIG. 4

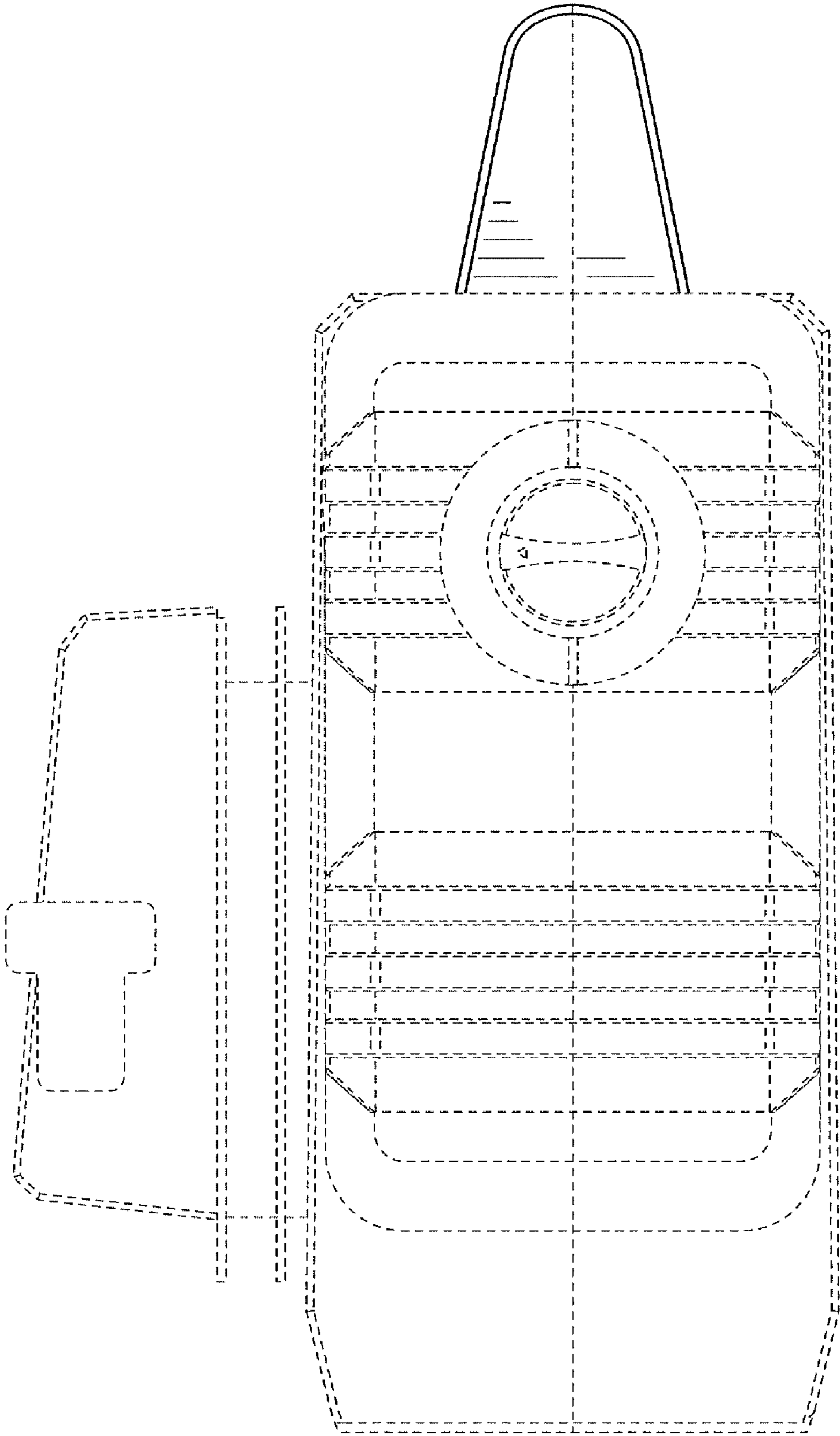


FIG. 5

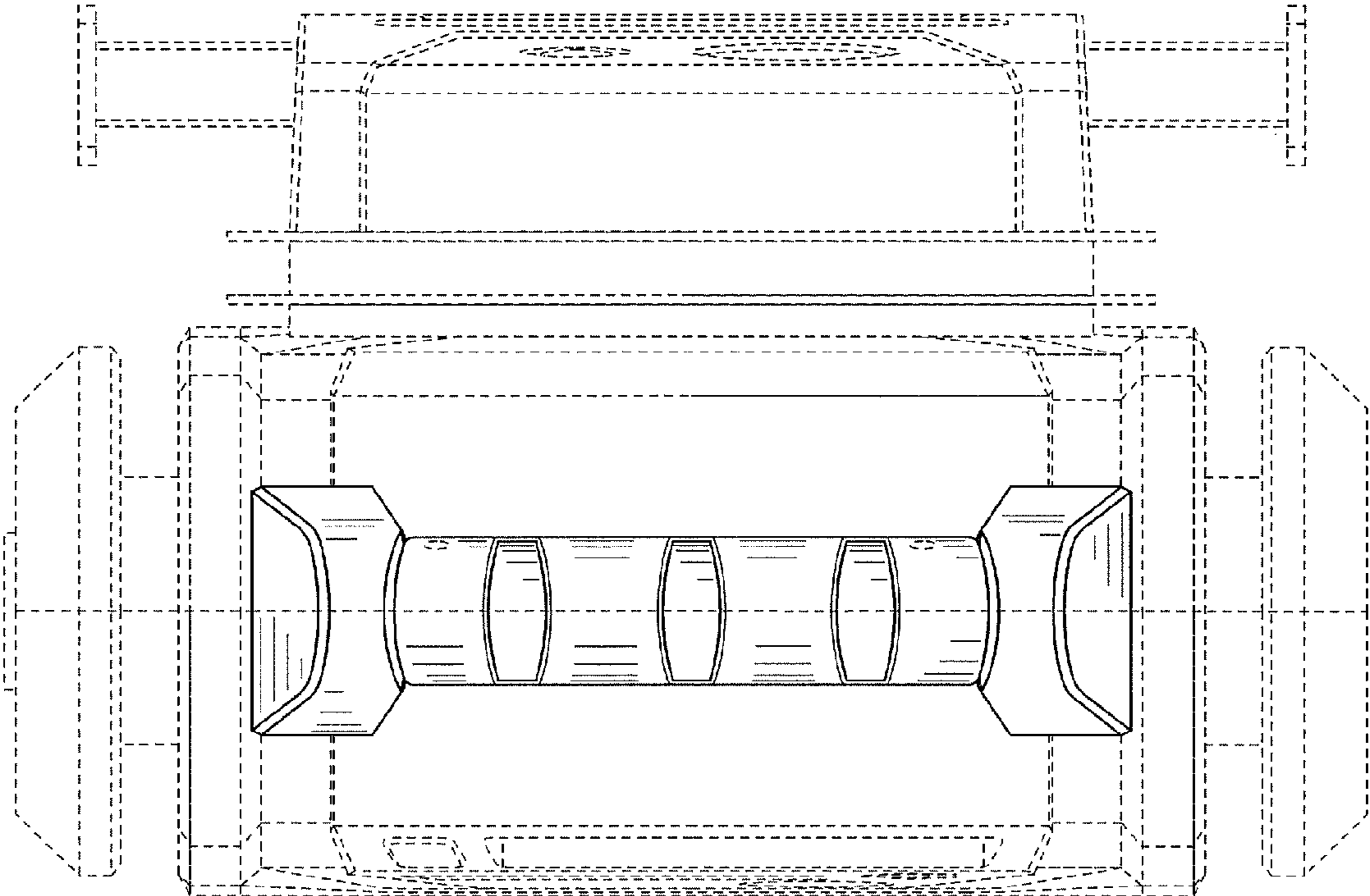


FIG. 6

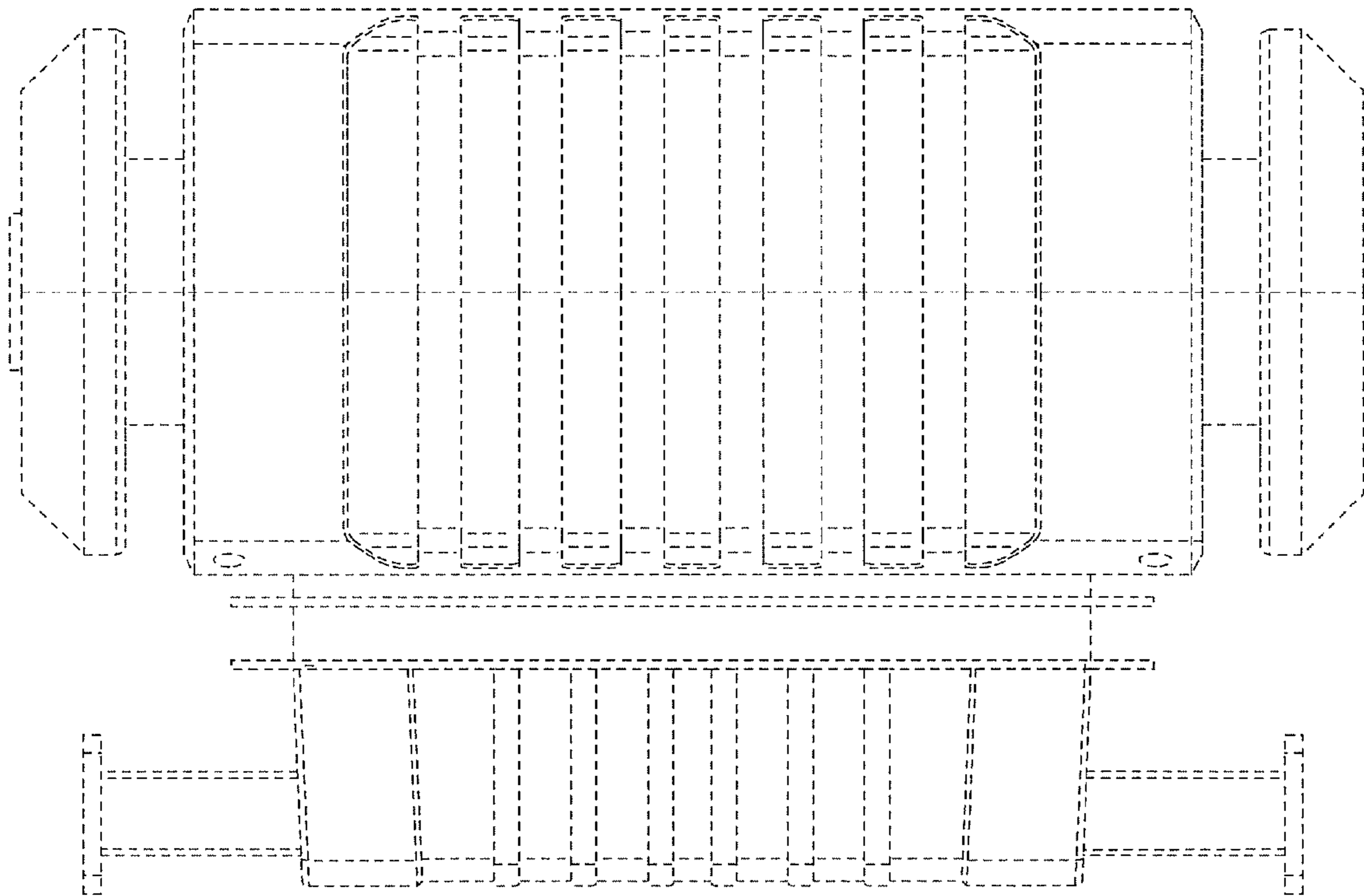


FIG. 7

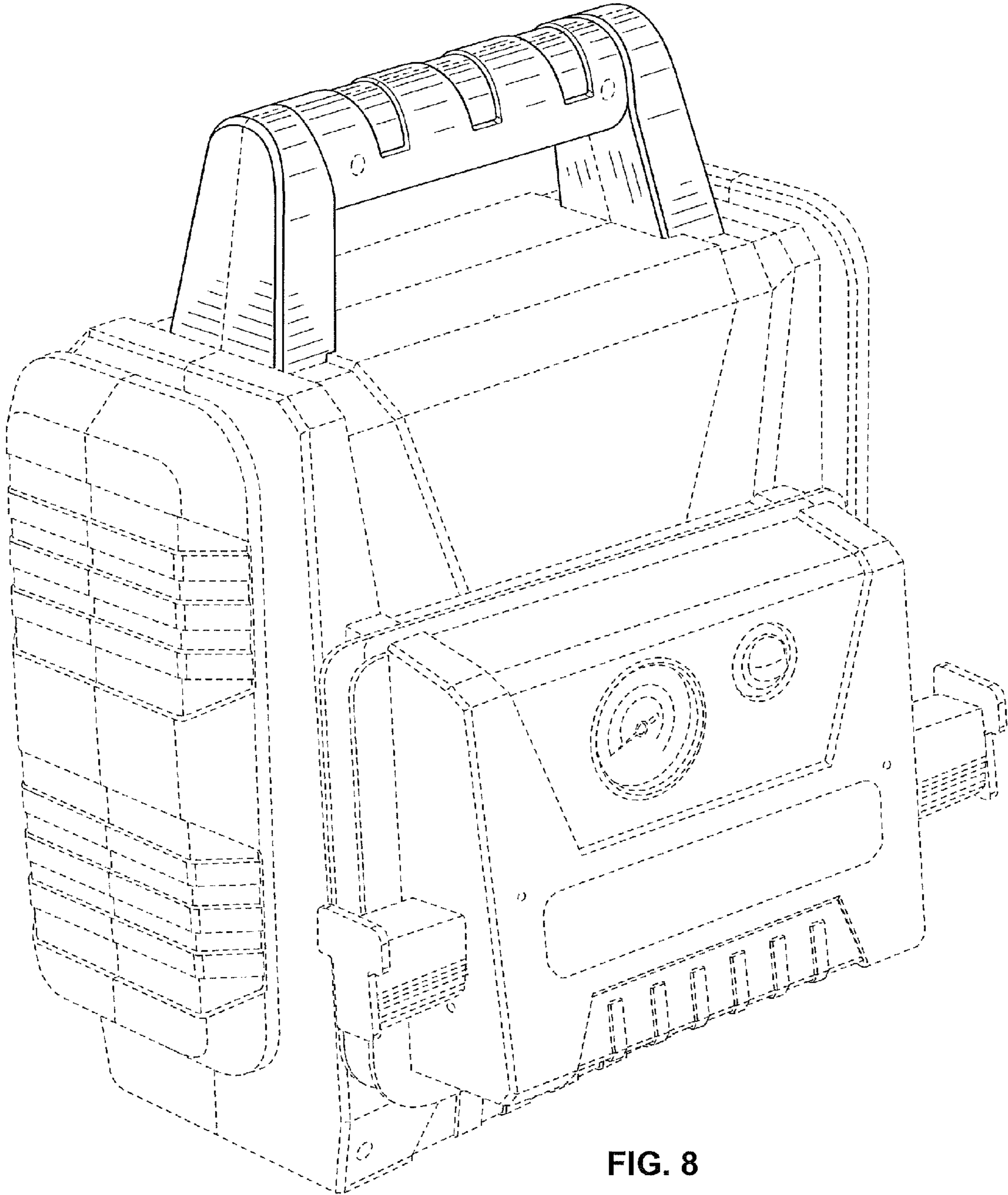


FIG. 8

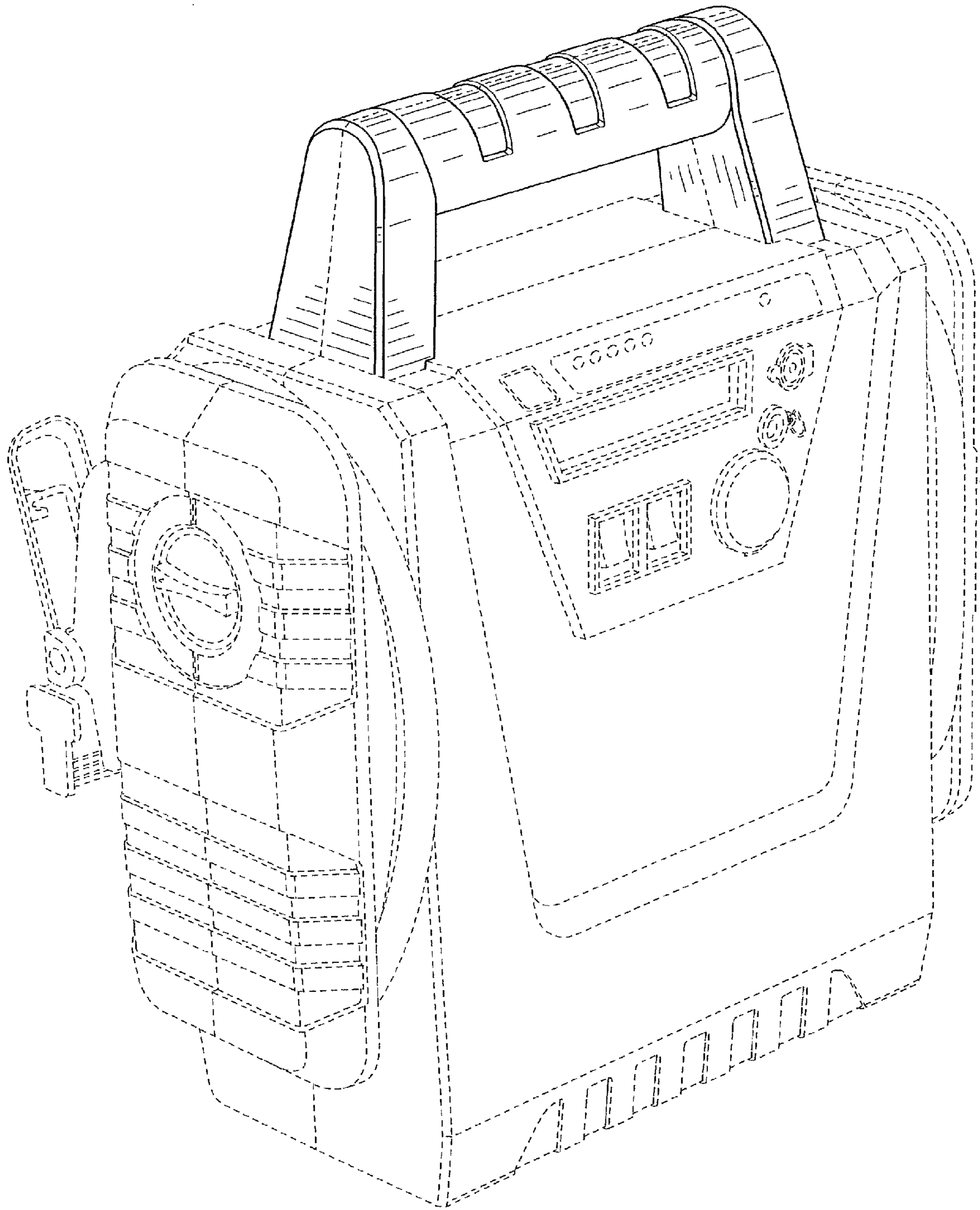


FIG. 9

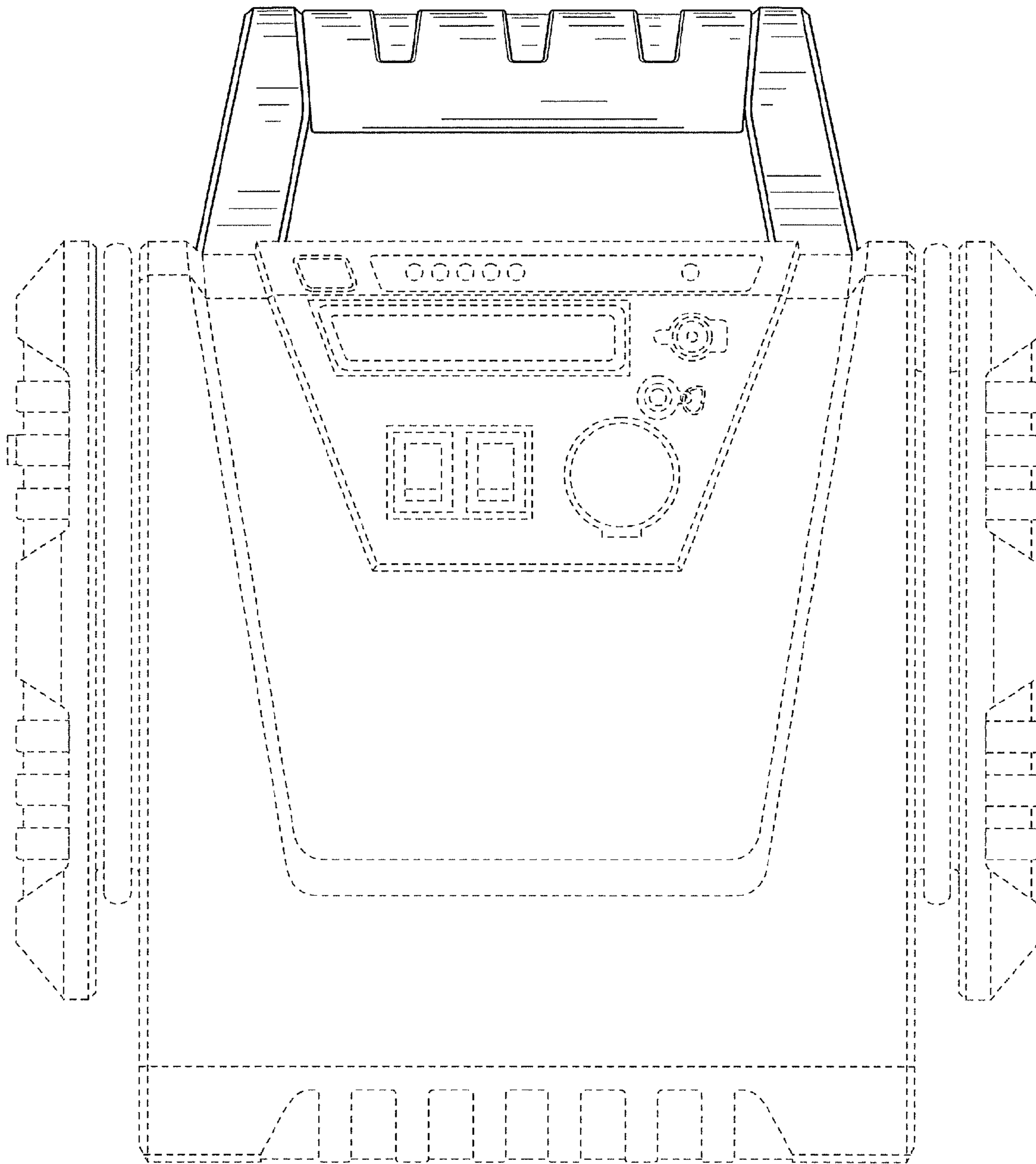


FIG. 10

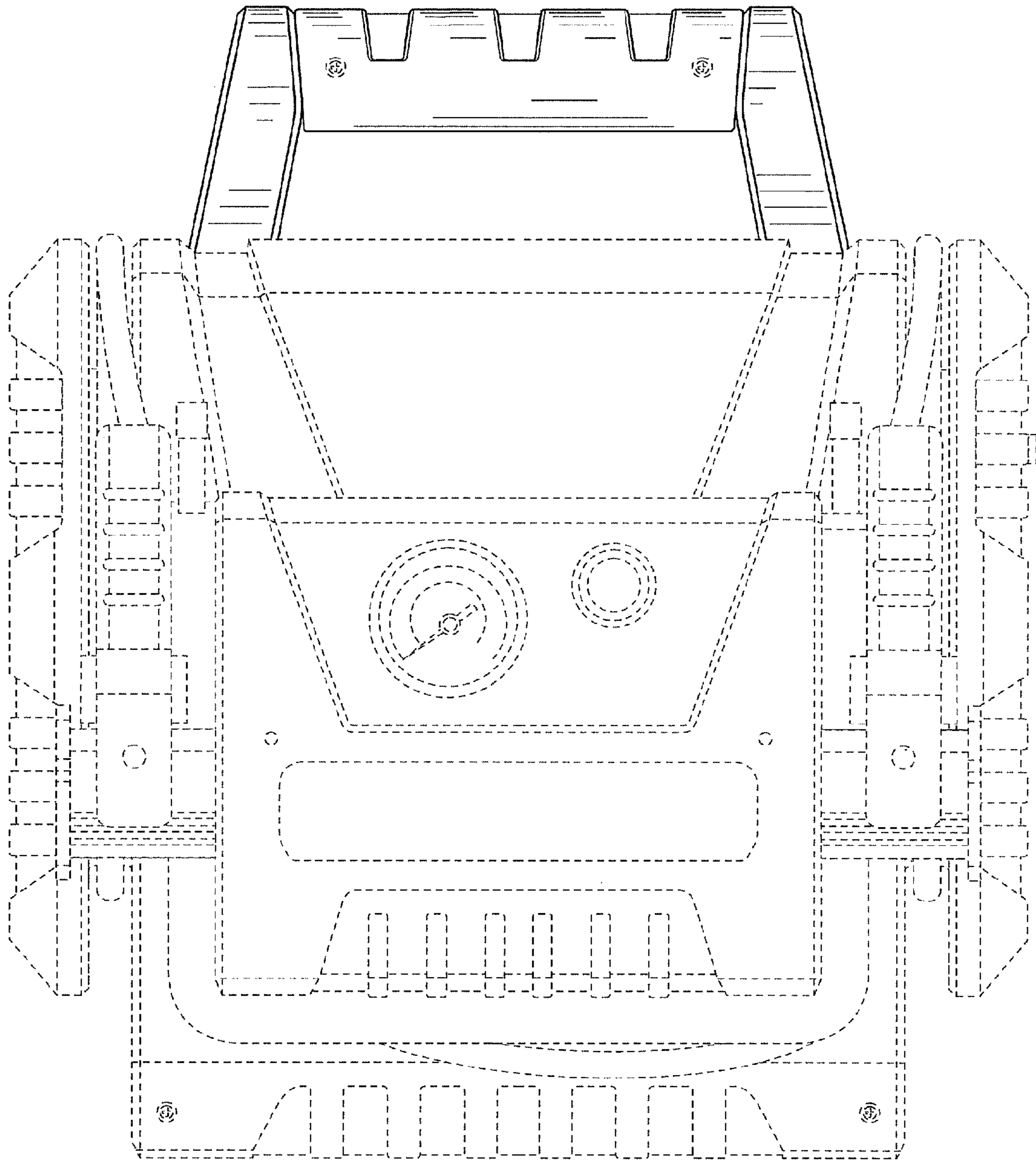


FIG. 11

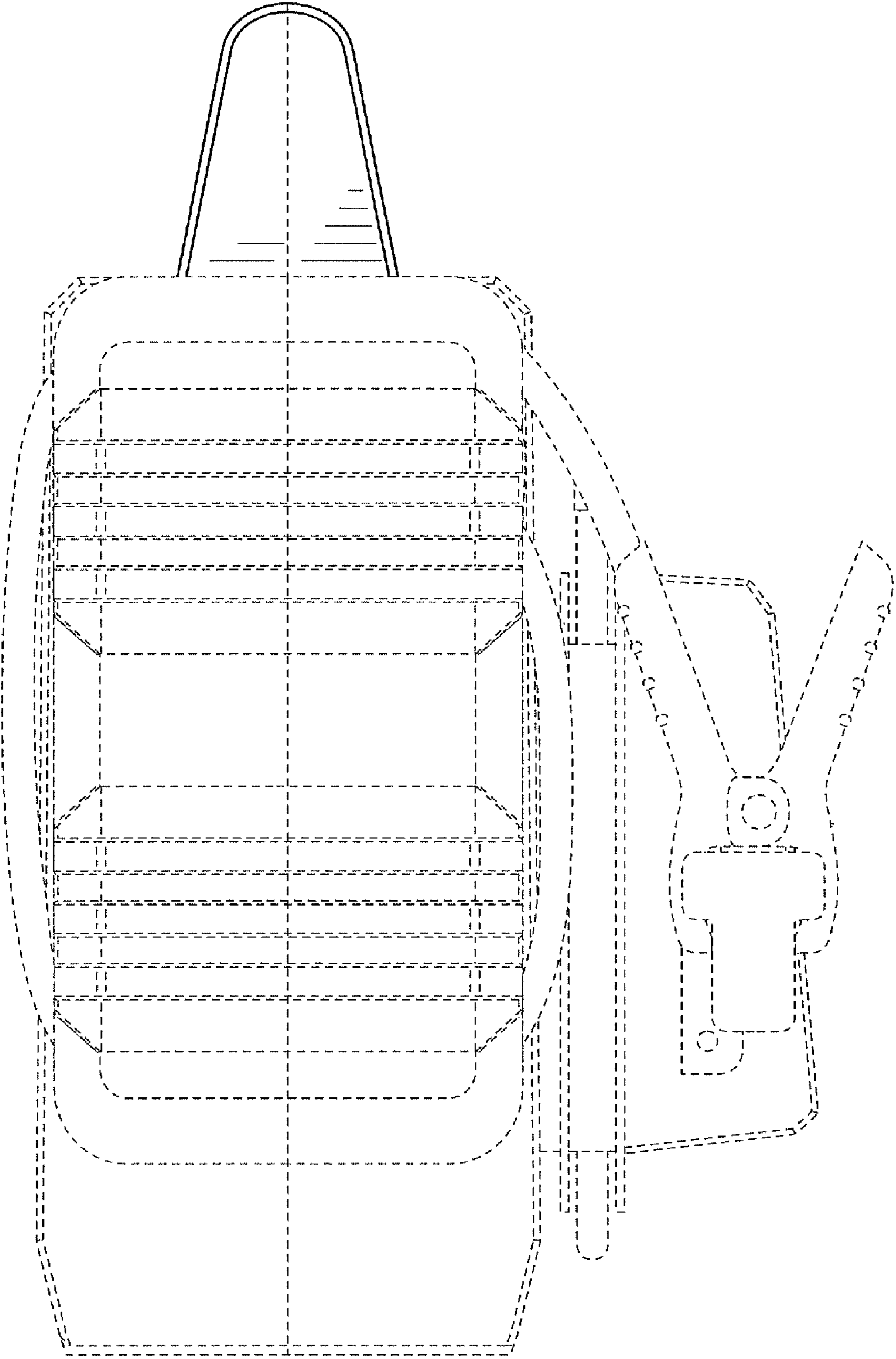


FIG. 12

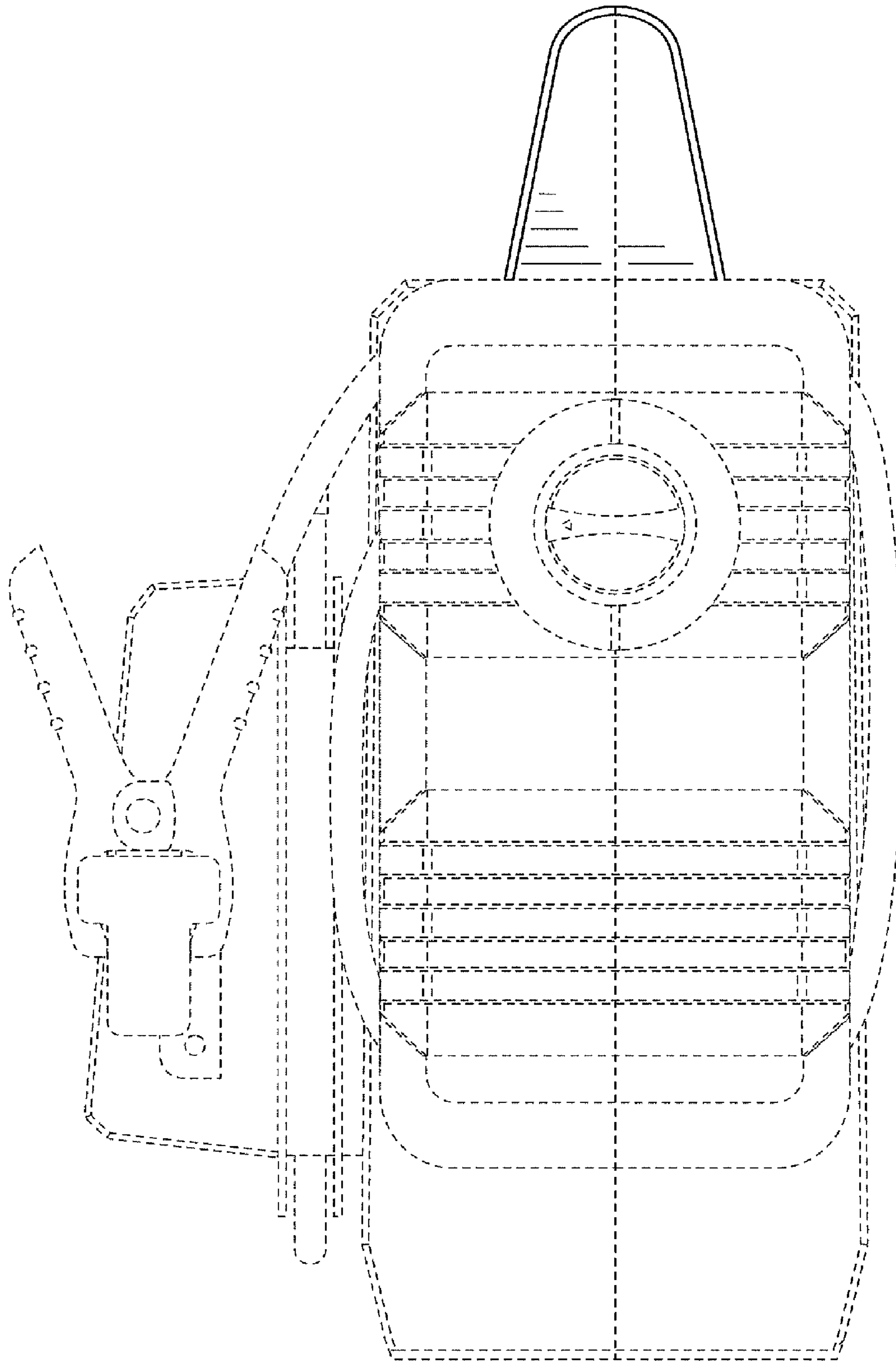


FIG. 13

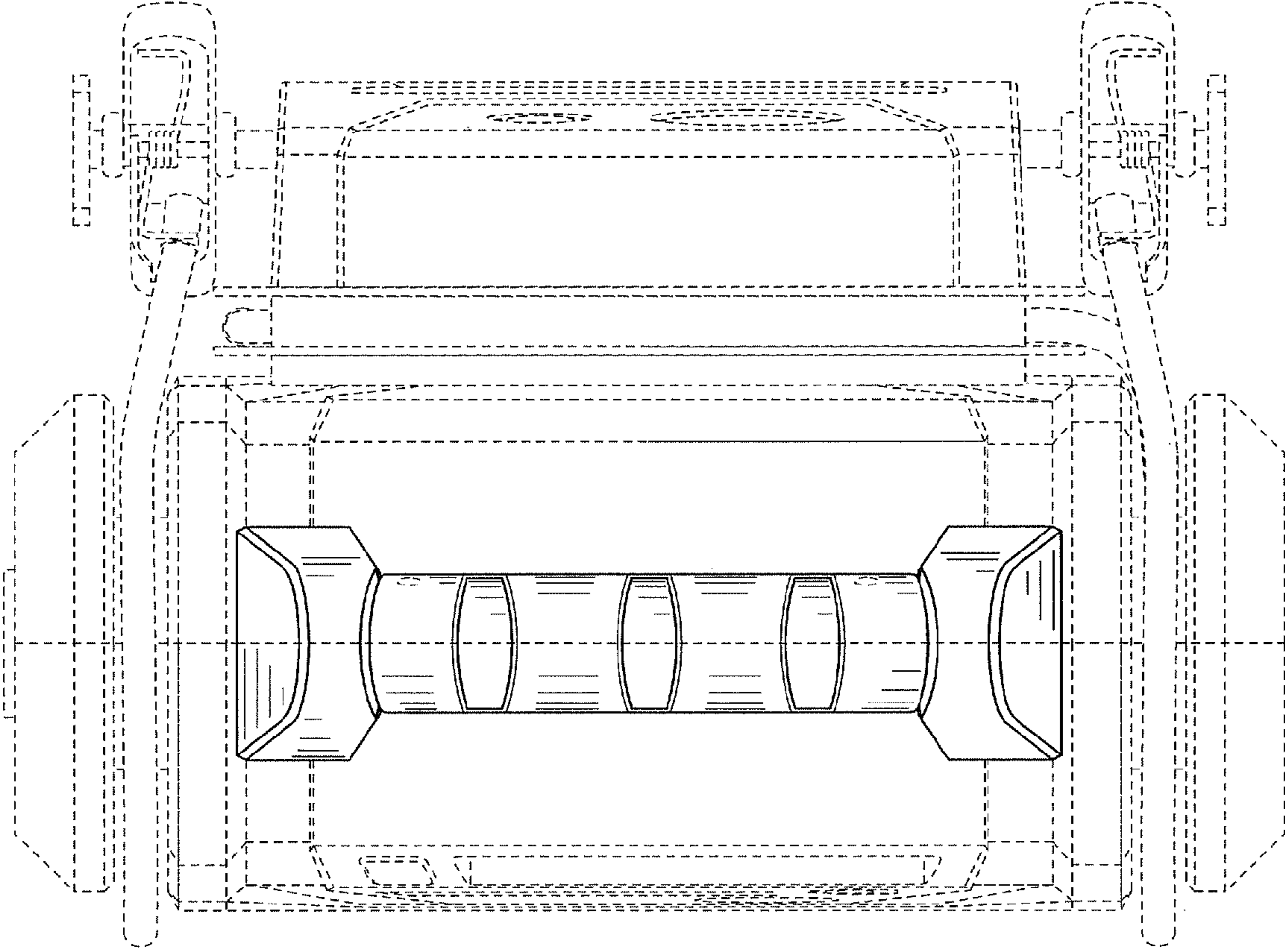


FIG. 14

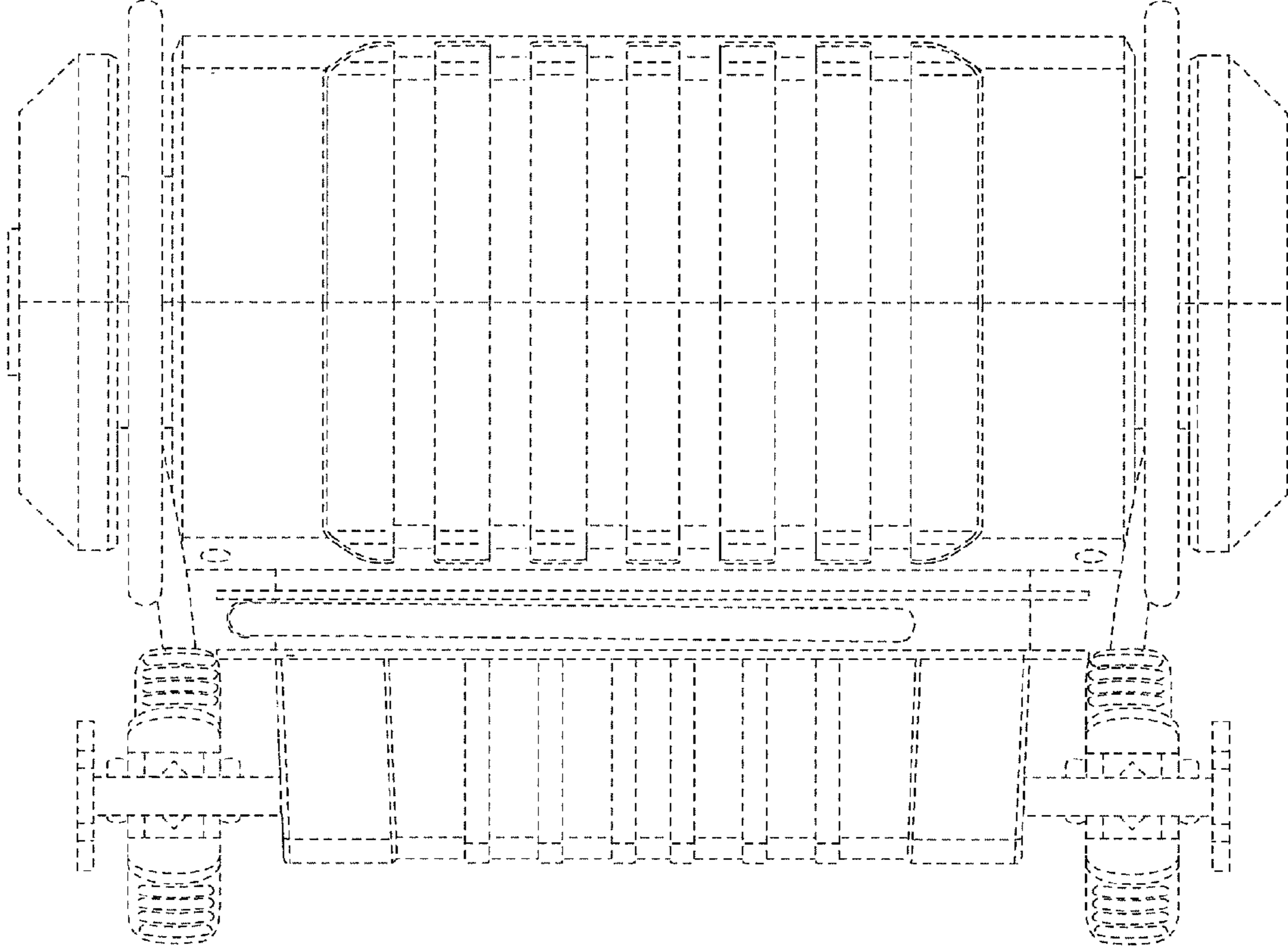


FIG. 15

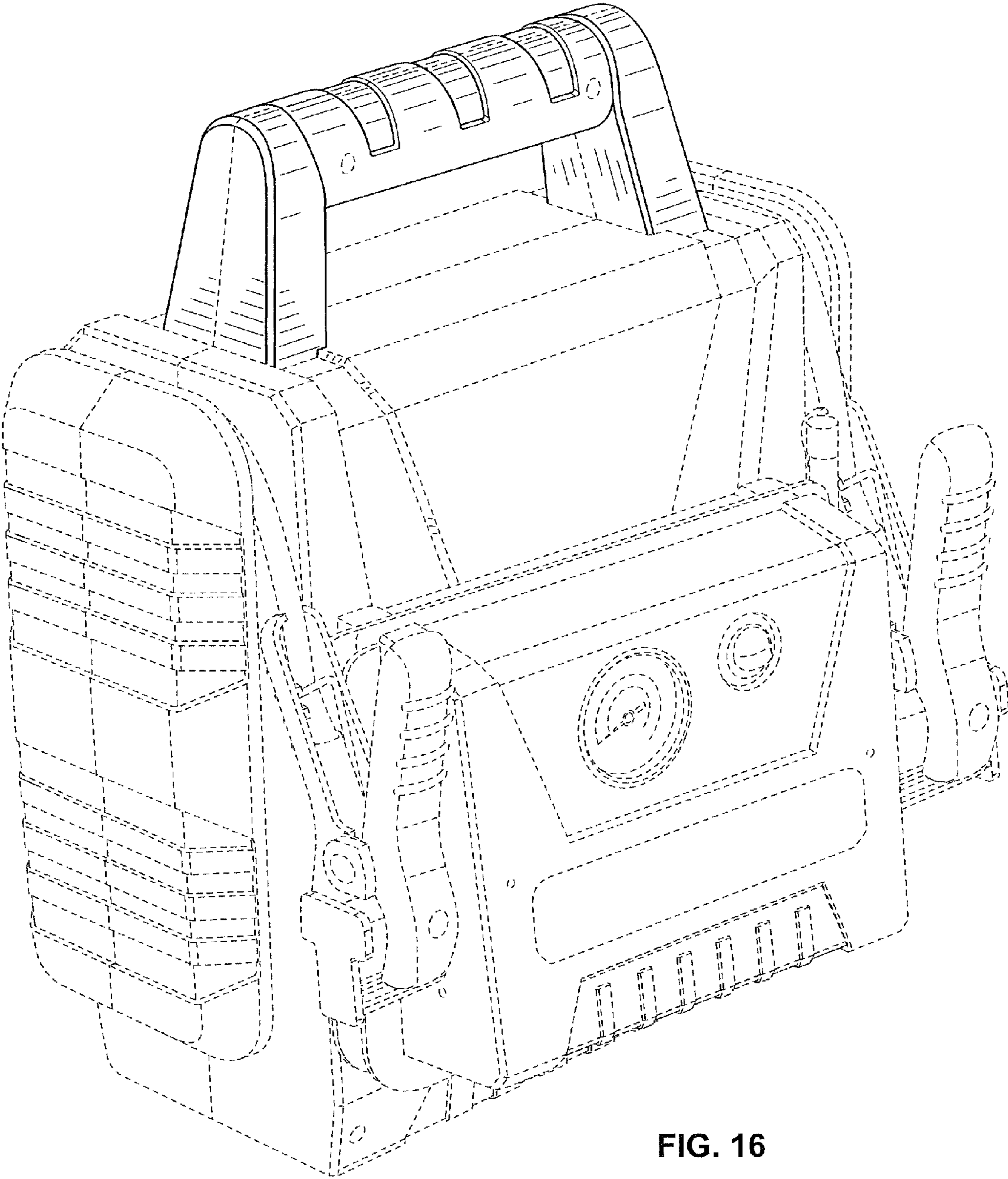


FIG. 16