



US00D624876S

(12) **United States Design Patent**  
**Daniels et al.**

(10) **Patent No.:** **US D624,876 S**  
(45) **Date of Patent:** **\*\* Oct. 5, 2010**

(54) **COMBINED JUMP STARTER, AIR COMPRESSOR AND INVERTER**  
(75) Inventors: **David Daniels**, Palatine, IL (US); **Alan William Olsberg**, Schaumburg, IL (US)

(73) Assignee: **Old World Industries, Inc.**, Northbrook, IL (US)

(\*\*) Term: **14 Years**

(21) Appl. No.: **29/355,780**

(22) Filed: **Feb. 12, 2010**

**Related U.S. Application Data**

(63) Continuation of application No. 29/341,296, filed on Aug. 3, 2009, now Pat. No. Des. 609,634.

(51) **LOC (9) Cl.** ..... **13-02**  
(52) **U.S. Cl.** ..... **D13/107; D13/110; D15/9**  
(58) **Field of Classification Search** ..... D13/102-103, D13/107-110, 118-119, 133, 144, 184; 320/103-105, 320/107-115; D15/7-9; D23/231, 232; 417/410.1, 359, 415-416, 234, 321, 265, 417/405

See application file for complete search history.

(56) **References Cited**

**U.S. PATENT DOCUMENTS**

D292,576 S 11/1987 Kump et al.  
D376,199 S \* 12/1996 Rozek et al. .... D24/110  
D403,331 S \* 12/1998 Williams ..... D15/9  
D436,602 S \* 1/2001 Wang ..... D15/9  
D464,619 S 10/2002 Krieger et al.  
D504,396 S \* 4/2005 Hussaini et al. .... D13/107

D506,723 S 6/2005 Krieger et al.  
D506,724 S 6/2005 Hriscu et al.  
D511,491 S 11/2005 Hriscu et al.  
D530,271 S 10/2006 Hriscu et al.  
D538,739 S 3/2007 Zheng  
D549,170 S 8/2007 Yen  
D565,601 S \* 4/2008 Mandsfelt ..... D15/9  
D574,017 S 7/2008 Hernandez et al.  
D585,822 S 2/2009 Hsu  
D609,634 S \* 2/2010 Daniels et al. .... D13/107

\* cited by examiner

*Primary Examiner*—Rosemary K Tarcza

(74) *Attorney, Agent, or Firm*—McAndrews, Held & Malloy, Ltd.

(57) **CLAIM**

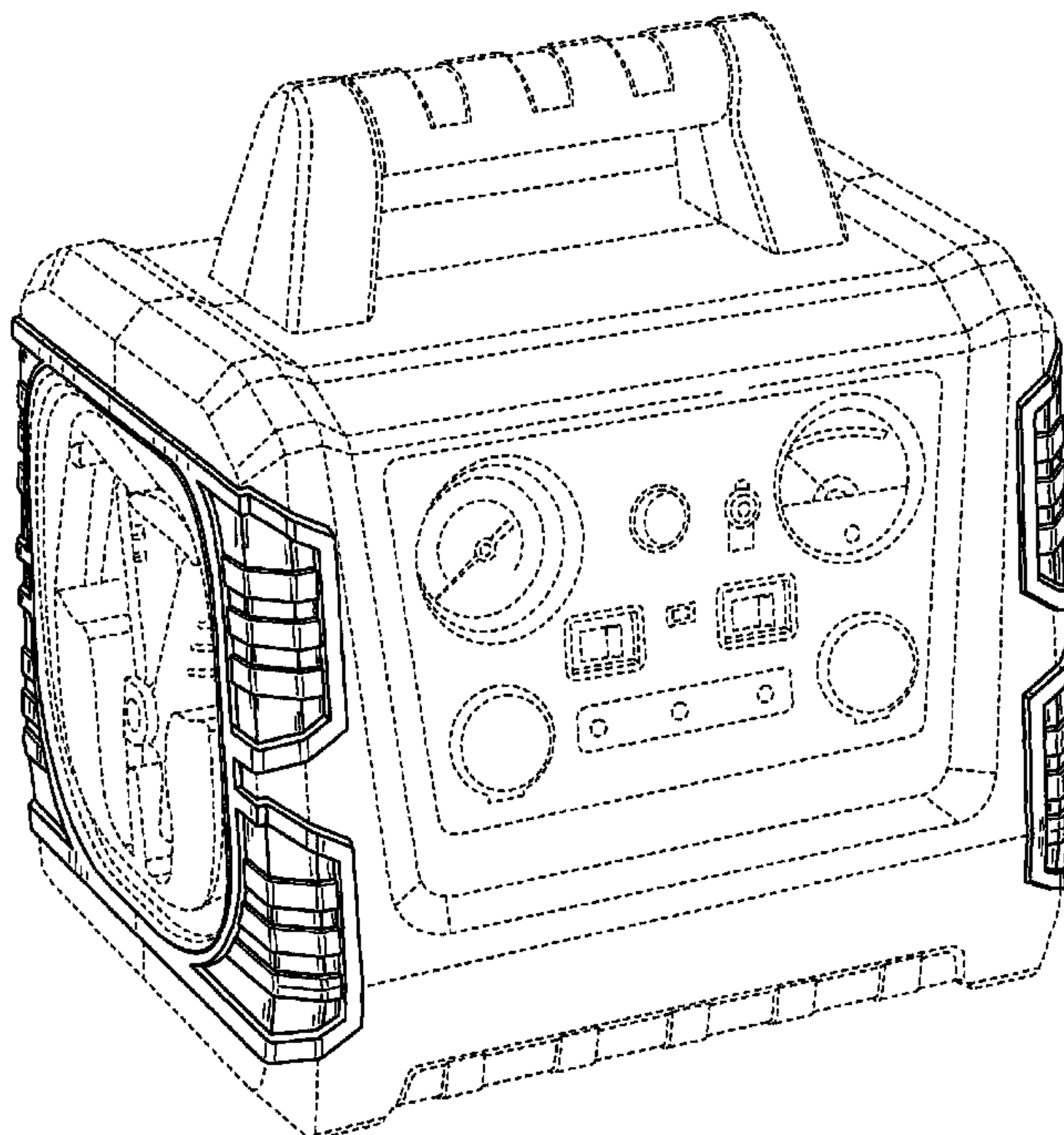
The ornamental design for a combined jump starter, air compressor and inverter, as shown and described.

**DESCRIPTION**

FIG. 1 is a front perspective view of combined jump starter, air compressor and inverter showing our new design;  
FIG. 2 is a front elevation view thereof;  
FIG. 3 is a rear elevation view thereof;  
FIG. 4 is a right side elevation view thereof;  
FIG. 5 is a left side elevation view thereof;  
FIG. 6 is a top plan view thereof;  
FIG. 7 is a bottom plan view thereof; and,  
FIG. 8 is a rear perspective view thereof.

The broken lines in the drawings represent environmental subject matter and form no part of the claimed design.

**1 Claim, 7 Drawing Sheets**



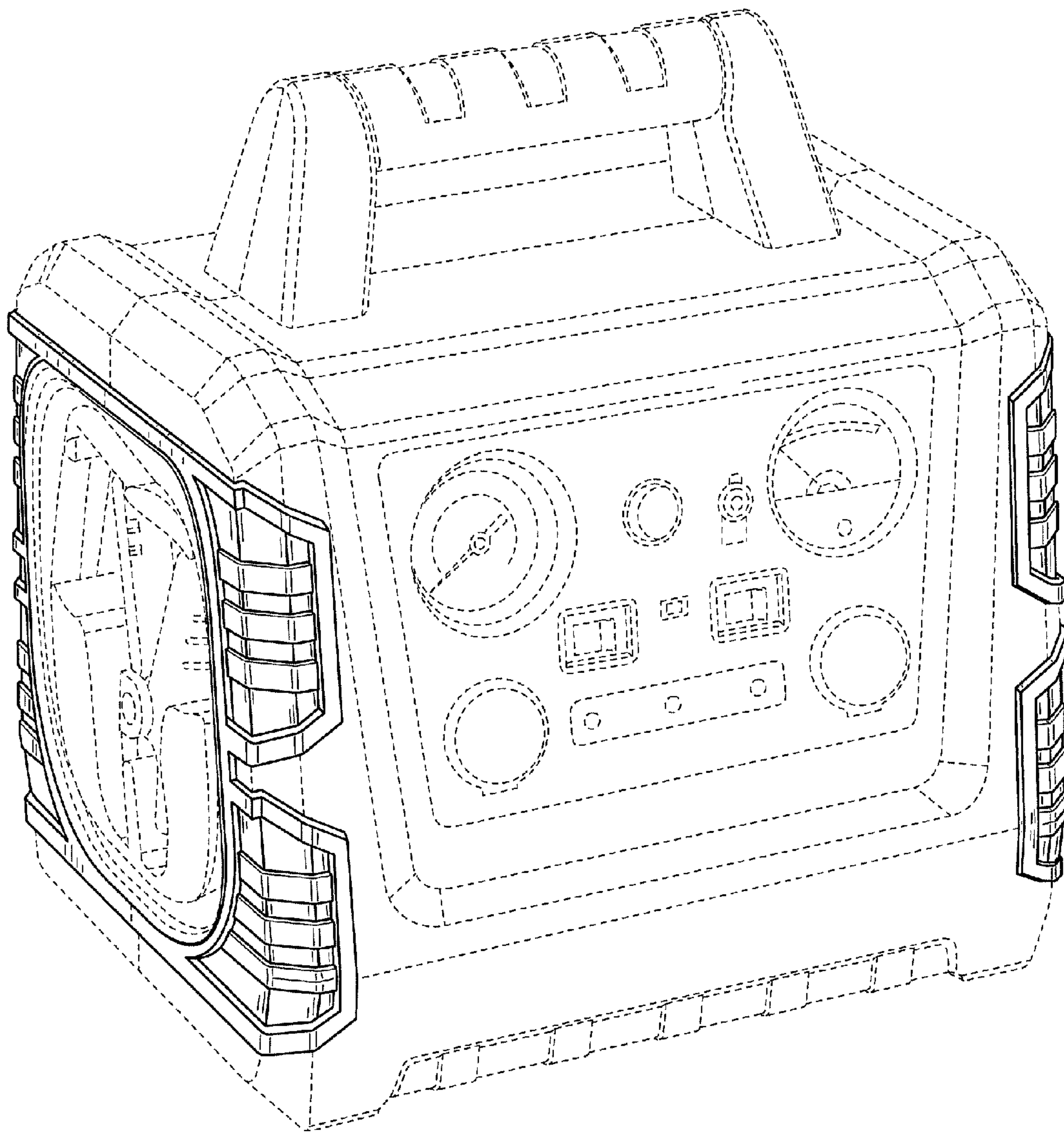


FIG. 1

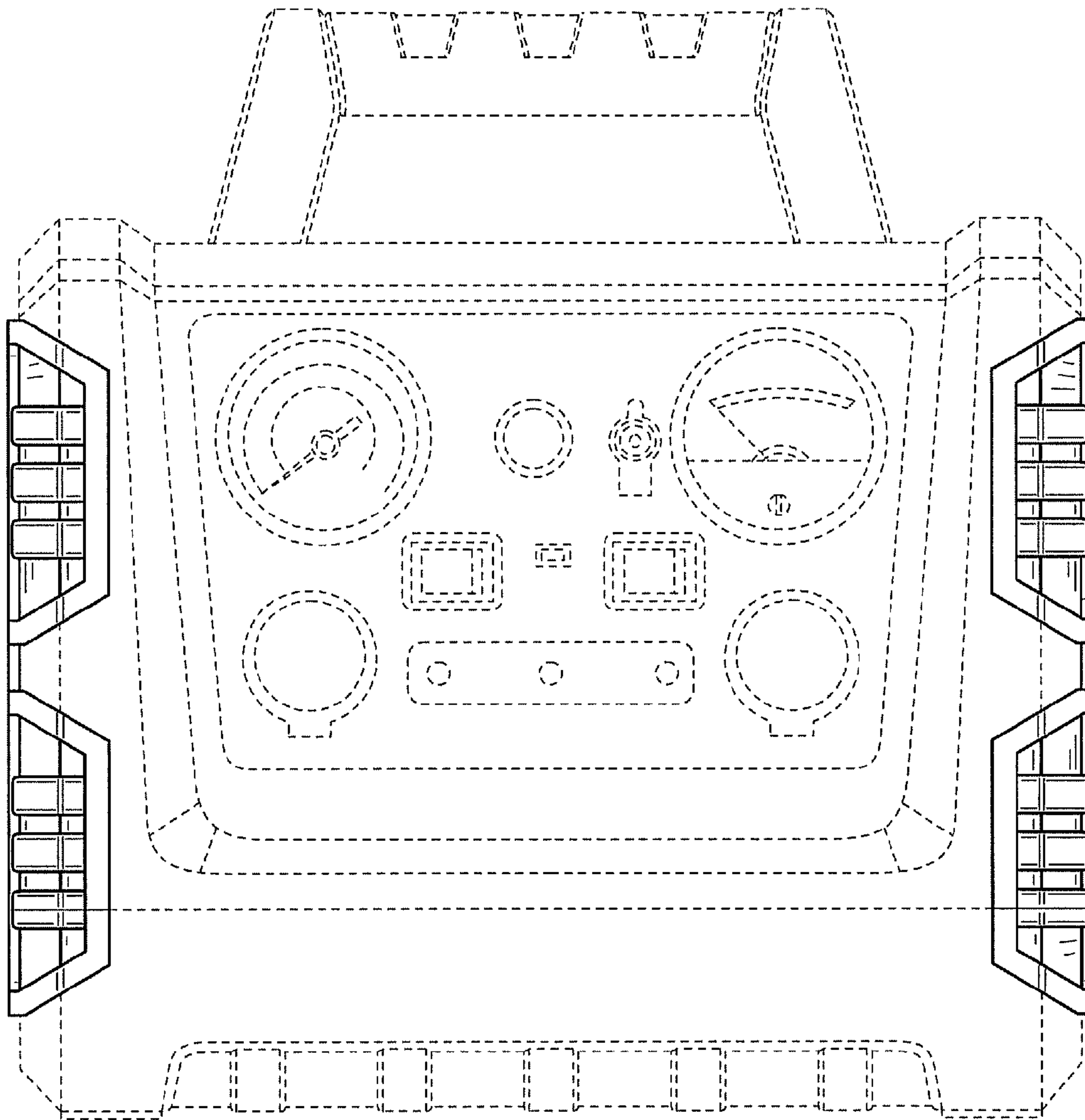


FIG. 2



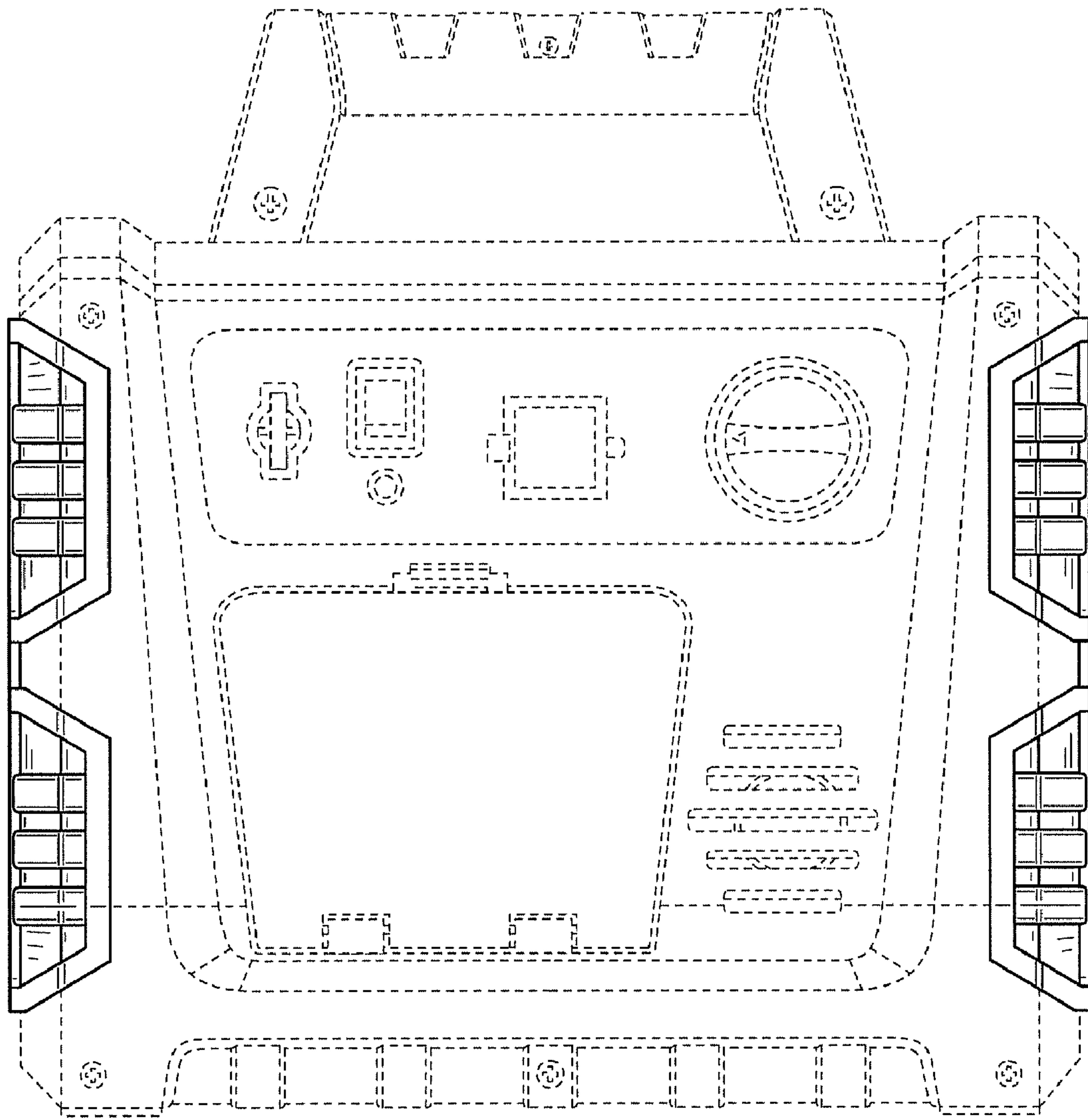


FIG. 3

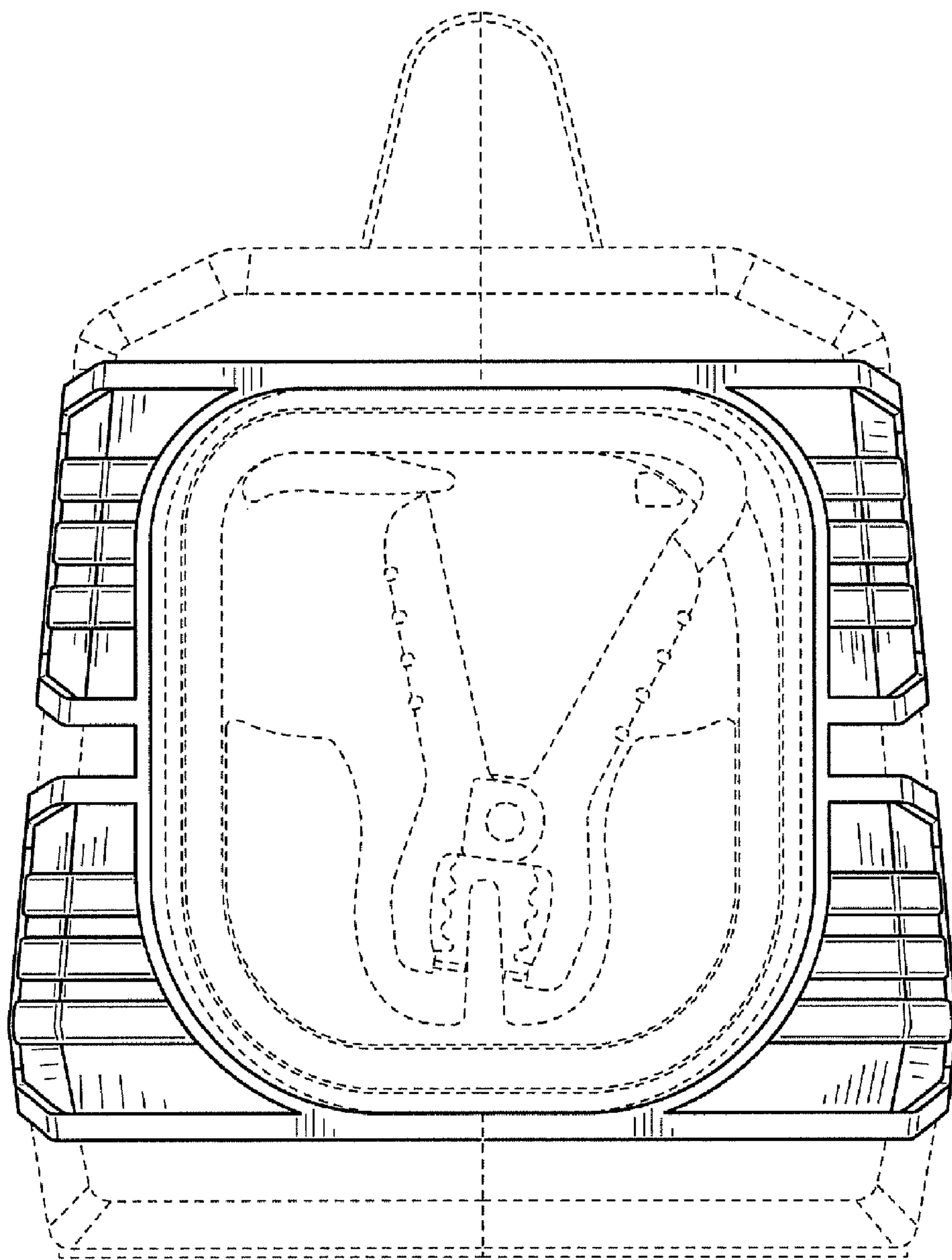


FIG. 4

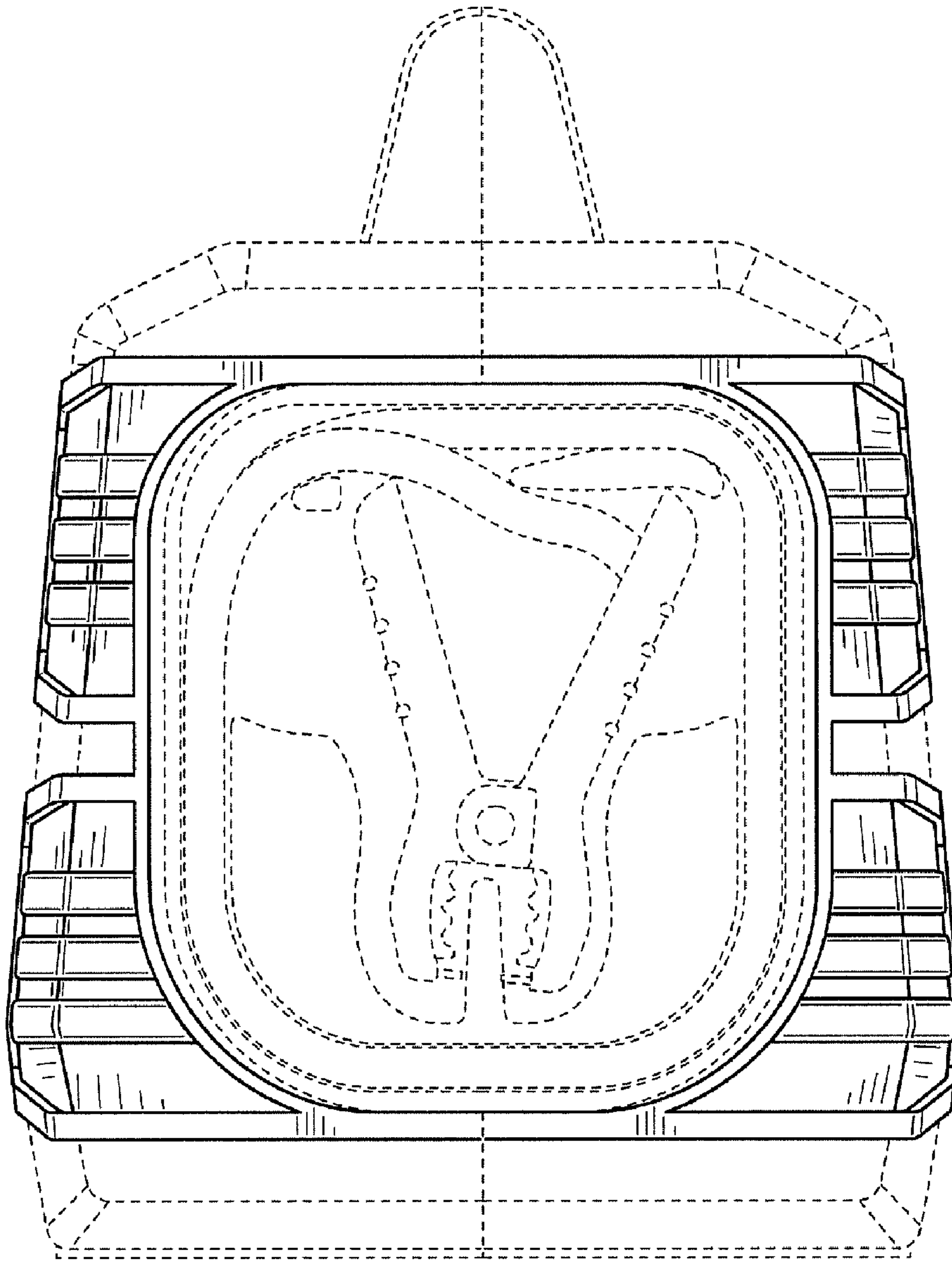


FIG. 5

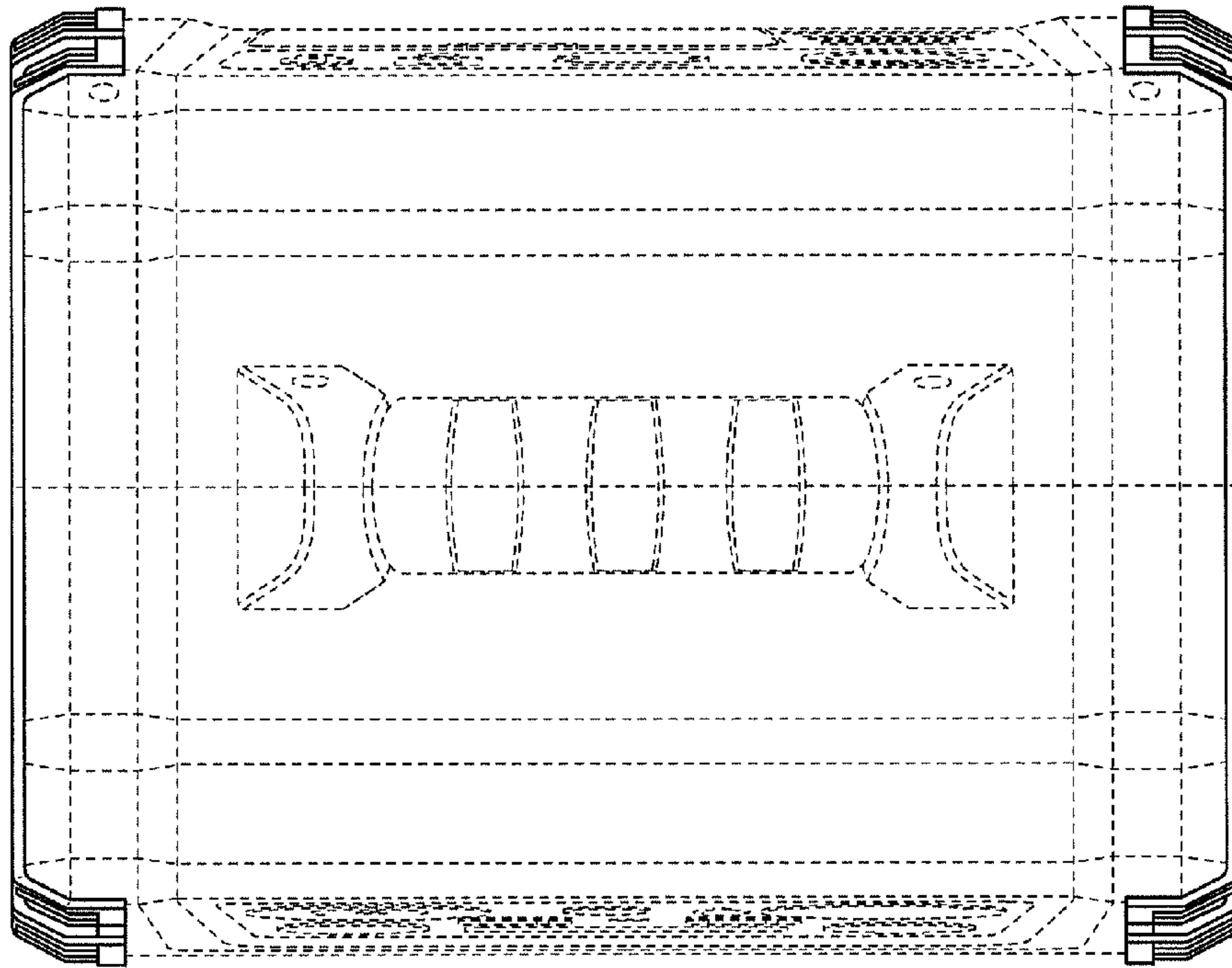


FIG. 6

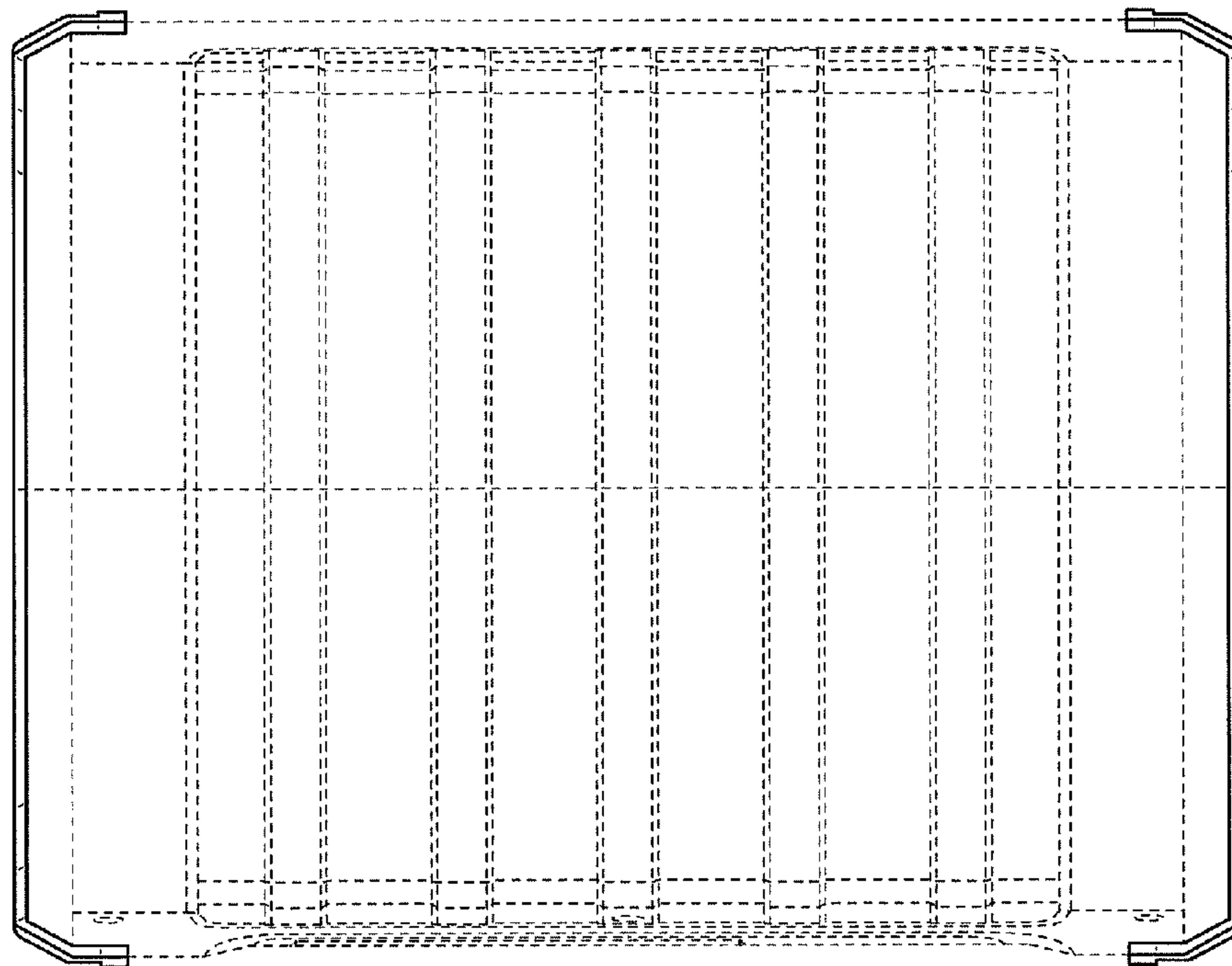


FIG. 7



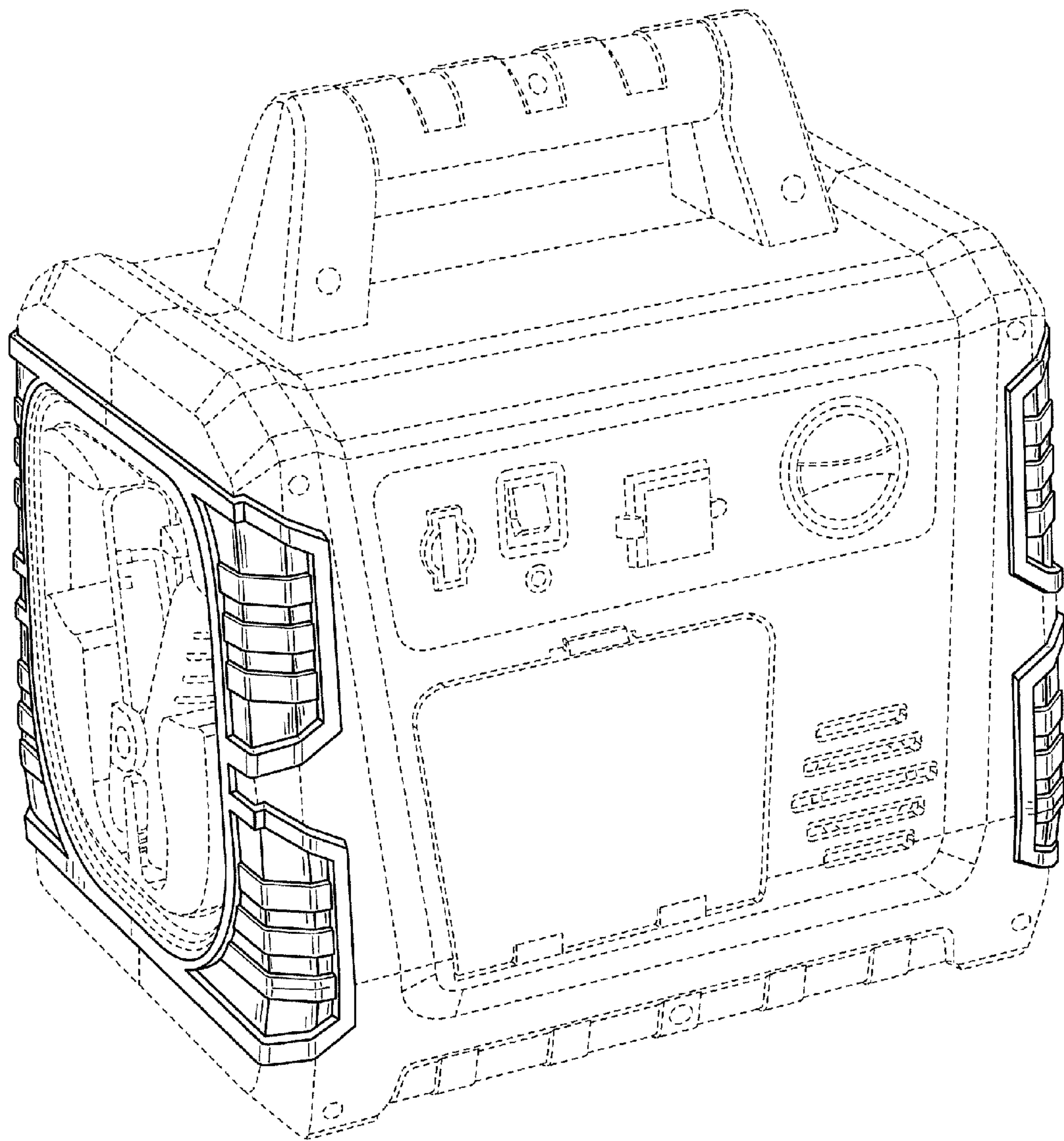


FIG. 8