



US00D624871S

(12) **United States Design Patent**  
**Behr**

(10) **Patent No.:** **US D624,871 S**

(45) **Date of Patent:** **\*\* Oct. 5, 2010**

(54) **TIRE TREAD FOR A VEHICLE TIRE**

(75) Inventor: **Ulrich Behr**, Hanover (DE)

(73) Assignee: **Continental Reifen Deutschland GmbH**, Hanover (DE)

(\*\*) Term: **14 Years**

(21) Appl. No.: **29/357,959**

(22) Filed: **Mar. 19, 2010**

(51) **LOC (9) Cl.** ..... **12-15**

(52) **U.S. Cl.** ..... **D12/519; D12/523**

(58) **Field of Classification Search** ..... D12/505-532,  
D12/900-901; 152/209.1, 209.8-209.19,  
152/209.25-209.28

See application file for complete search history.

(56) **References Cited**

**U.S. PATENT DOCUMENTS**

D447,097 S *	8/2001	Graas et al.	.....	D12/523
D490,045 S *	5/2004	Delu et al.	.....	D12/519
D513,603 S *	1/2006	Shondel	.....	D12/524
D551,156 S *	9/2007	Shinohara et al.	.....	D12/521
D558,128 S *	12/2007	Delu et al.	.....	D12/521
D559,767 S *	1/2008	Graas et al.	.....	D12/521
D588,979 S *	3/2009	Kiwaki	.....	D12/515
D593,931 S *	6/2009	Fontaine et al.	.....	D12/521

D599,276 S *	9/2009	Fontaine et al.	.....	D12/519
D601,939 S *	10/2009	Fontaine et al.	.....	D12/519
D603,324 S *	11/2009	Woidtke et al.	.....	D12/519
D606,002 S *	12/2009	Yamakawa et al.	.....	D12/519
D607,809 S *	1/2010	Fontaine et al.	.....	D12/523

\* cited by examiner

*Primary Examiner*—Stacia Cadmus

(74) *Attorney, Agent, or Firm*—Laurence A Greenberg;  
Werner H Stemer; Ralph E Locher

(57) **CLAIM**

The ornamental design for a tire tread for a vehicle tire, as shown and described.

**DESCRIPTION**

FIG. 1 is a perspective view of the tire tread for a vehicle tire, showing my new design;

FIG. 2 is an enlarged partial front view thereof;

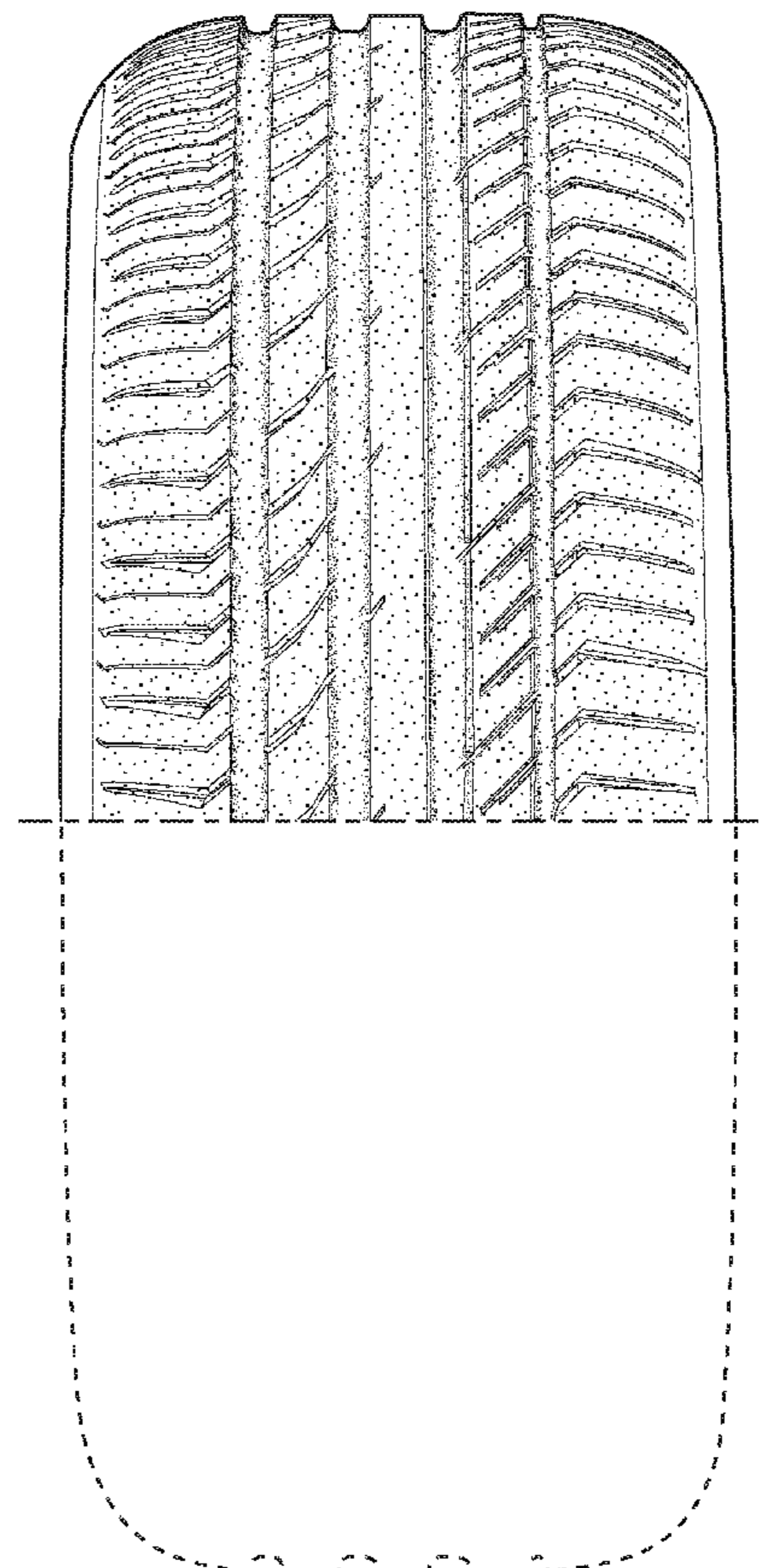
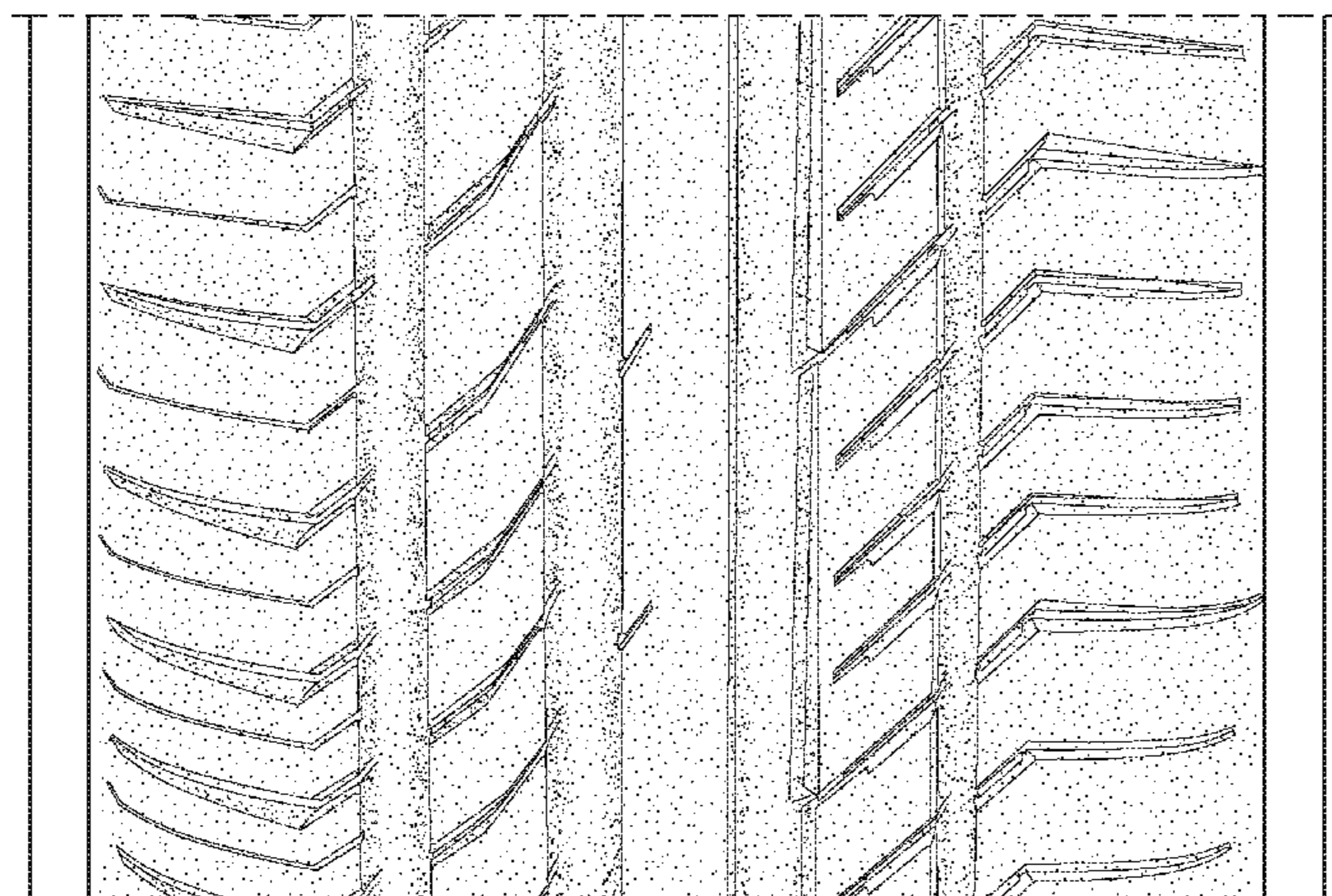
FIG. 3 is a front elevational view thereof;

FIG. 4 is a right side elevational view thereof; and,

FIG. 5 is a left side elevational view thereof.

The vehicle tire pattern is repeated uniformly around the circumference of the tire structure. The dash-dot lines showing the boundaries of the claim and the broken lines depicting the sidewall of the tire do not form part of the claim.

**1 Claim, 5 Drawing Sheets**



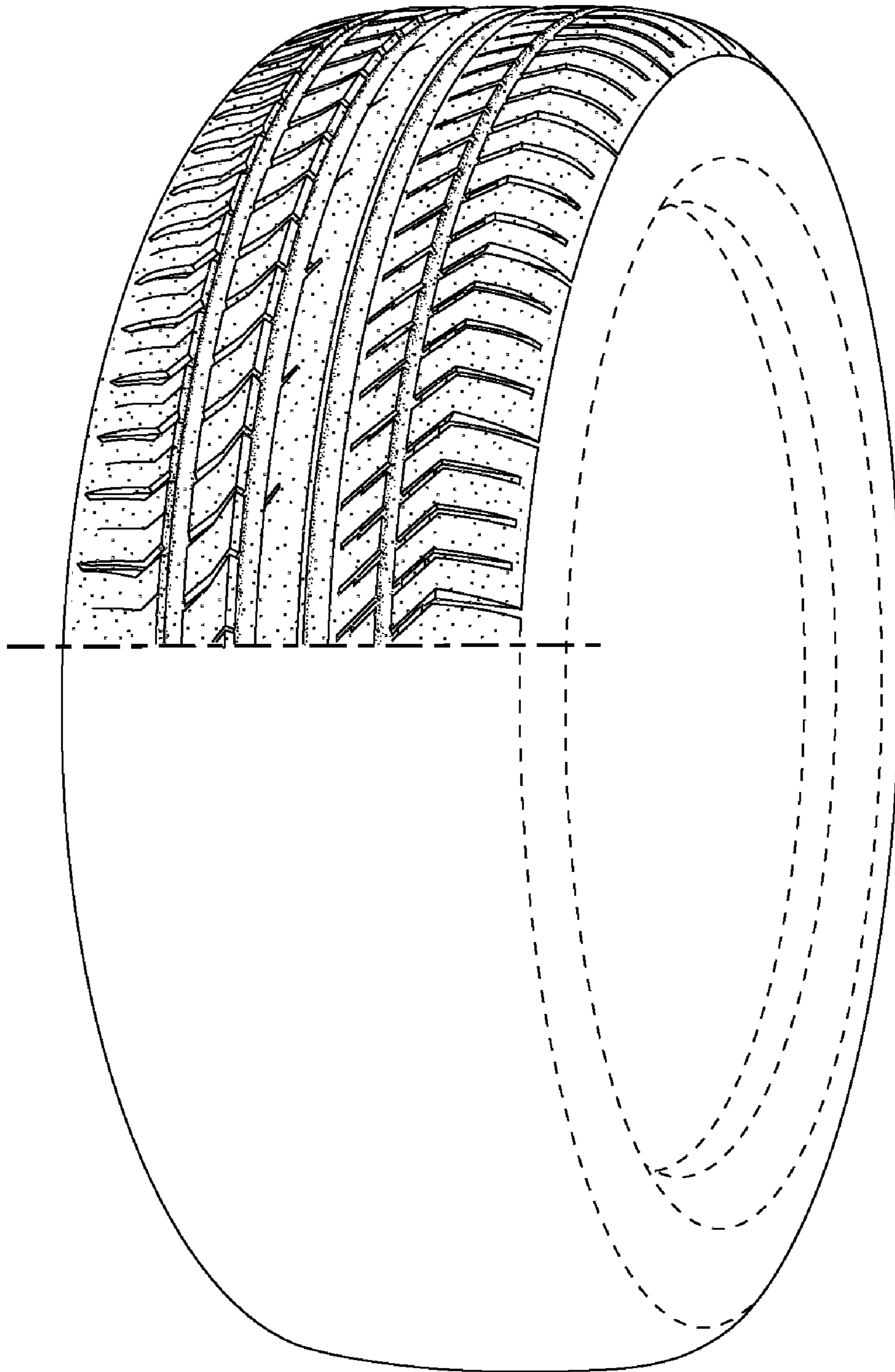


FIG. 1

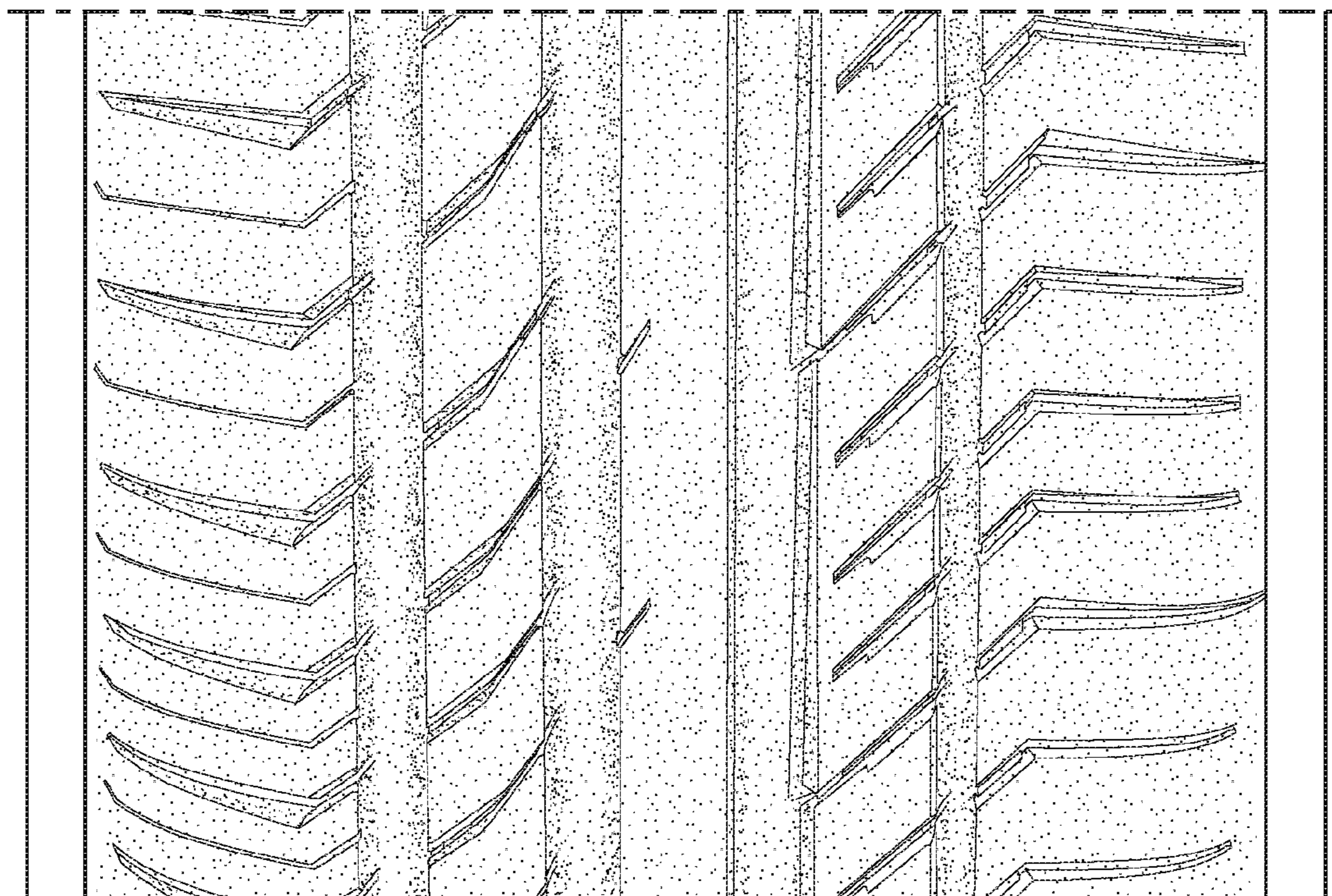


FIG. 2

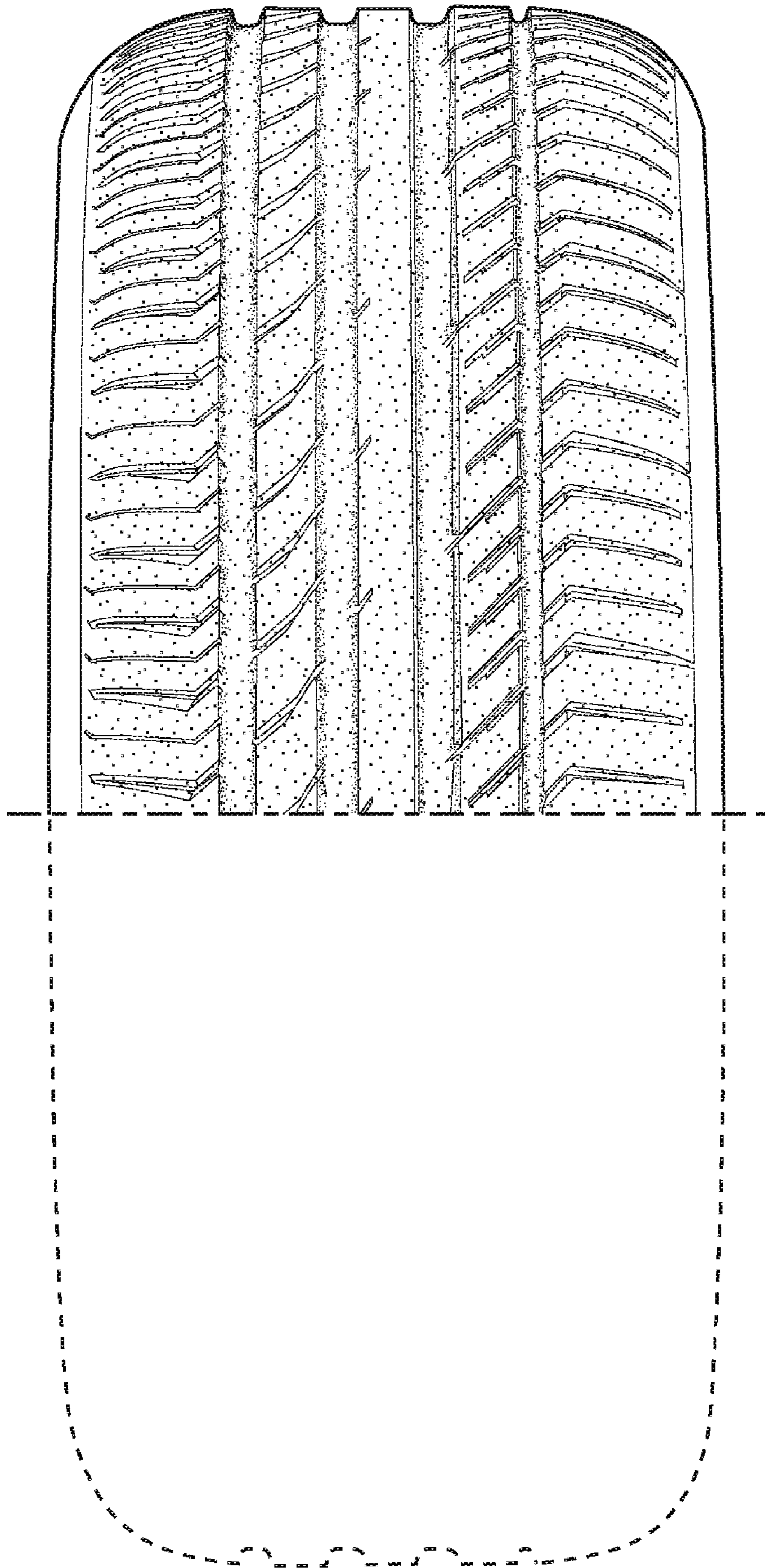


FIG. 3

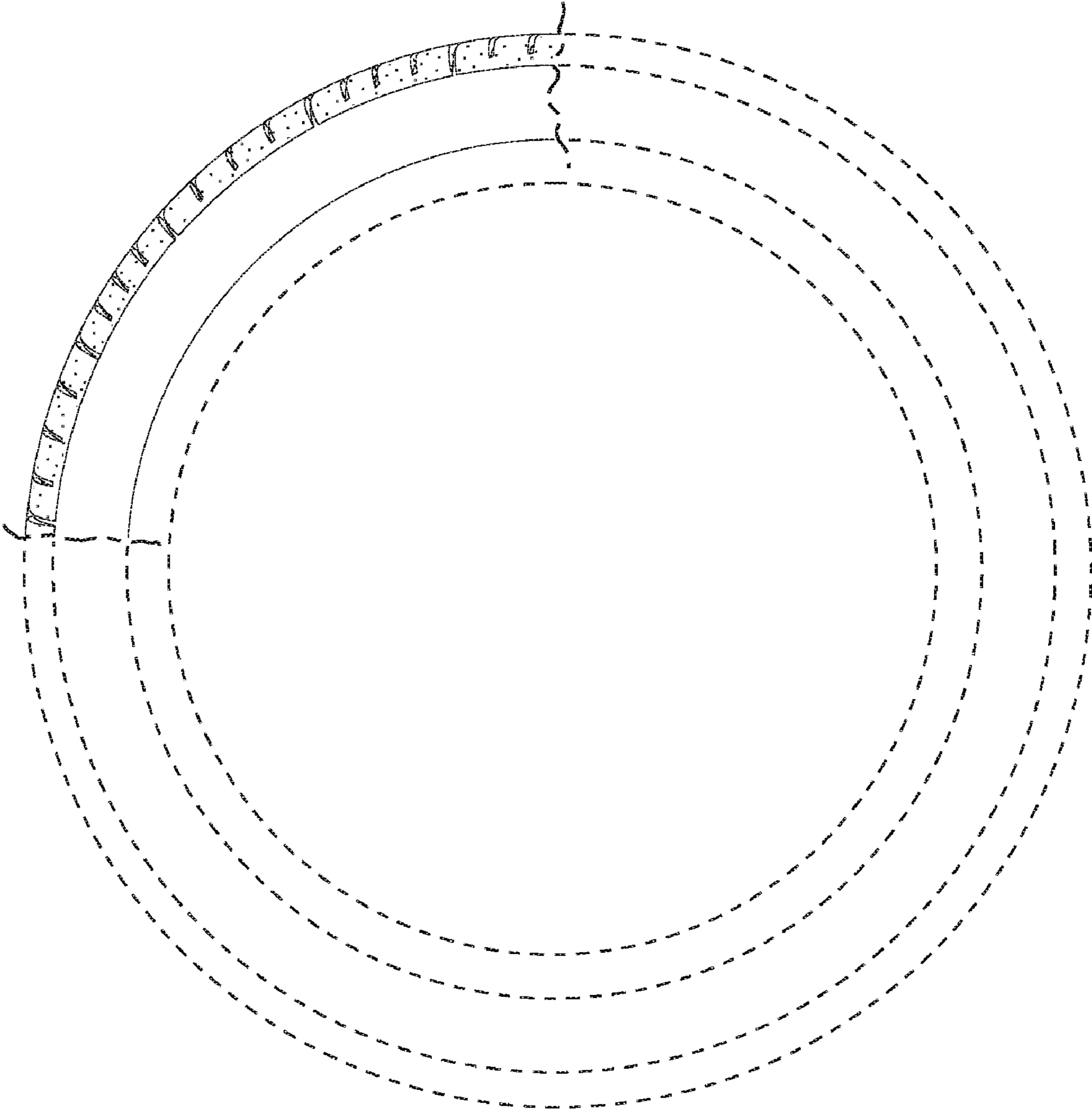


FIG. 4

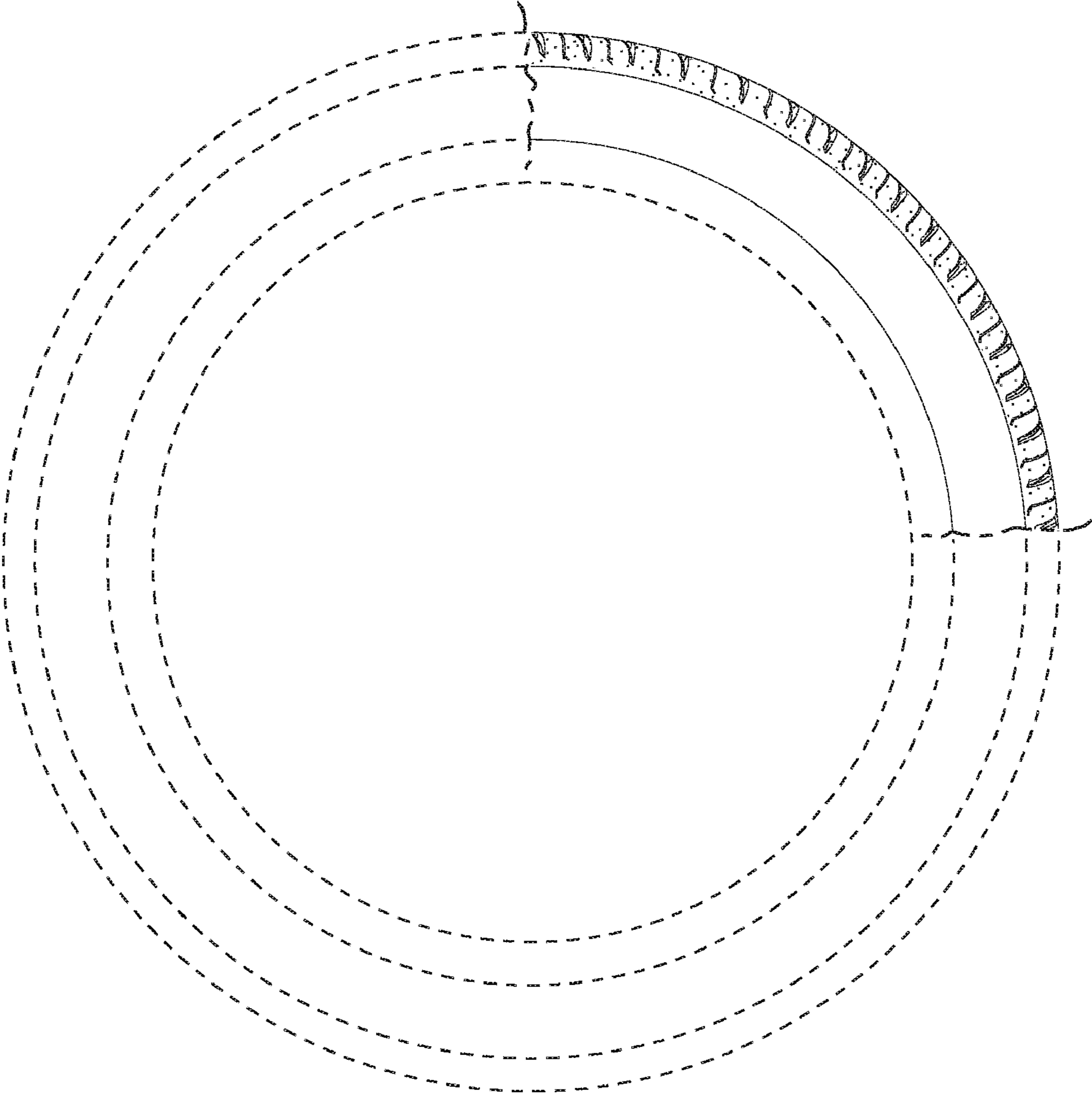


FIG. 5