



US00D624869S

(12) **United States Design Patent**  
**Corradi**

(10) **Patent No.:** **US D624,869 S**

(45) **Date of Patent:** **\*\* Oct. 5, 2010**

(54) **PANEL FOR PASSENGERS' COMPARTMENT OF A CAR**

(75) Inventor: **Roberto Corradi**, Campogalliano (IT)

(73) Assignee: **Ferrari S.p.A.**, Modena (IT)

(\*\*) Term: **14 Years**

(21) Appl. No.: **29/321,890**

(22) Filed: **Jul. 25, 2008**

(30) **Foreign Application Priority Data**

Feb. 15, 2008 (EM) ..... 000879465  
Feb. 15, 2008 (EM) ..... 000879531

(51) **LOC (9) Cl.** ..... **12-16**

(52) **U.S. Cl.** ..... **D12/415**

(58) **Field of Classification Search** ..... D12/415,  
D12/419, 192, 421-425; 296/37.1, 37.6,  
296/37.16, 152; 224/42.11, 42.24, 42.25,  
224/275, 400; 297/411.2, 411.23, 411.26

See application file for complete search history.

(56) **References Cited**

**U.S. PATENT DOCUMENTS**

D359,266 S \* 6/1995 Karp et al. .... D12/419  
D385,847 S \* 11/1997 Ma et al. .... D12/415  
D448,720 S \* 10/2001 Nash et al. .... D12/419  
6,682,116 B1 \* 1/2004 Okumura ..... 296/37.8

D492,231 S \* 6/2004 Robinson ..... D12/192  
D508,229 S \* 8/2005 Castator et al. .... D12/415  
7,029,048 B1 \* 4/2006 Hicks et al. .... 296/24.34  
D522,957 S \* 6/2006 Miyashita ..... D12/424  
7,237,816 B1 \* 7/2007 Singh et al. .... 296/24.34  
D573,529 S \* 7/2008 Ozeki et al. .... D12/419

\* cited by examiner

*Primary Examiner*—Elizabeth A Albert

*Assistant Examiner*—Kelley A Donnelly

(74) *Attorney, Agent, or Firm*—Cowan, Liebowitz & Latman, P.C.

(57) **CLAIM**

The ornamental design for a panel for passengers' compartment of a car, as shown and described.

**DESCRIPTION**

FIG. 1 is a front view of the panel for passengers' compartment of a car showing my design thereof;

FIG. 2 is a rear view thereof;

FIG. 3 is a top view thereof;

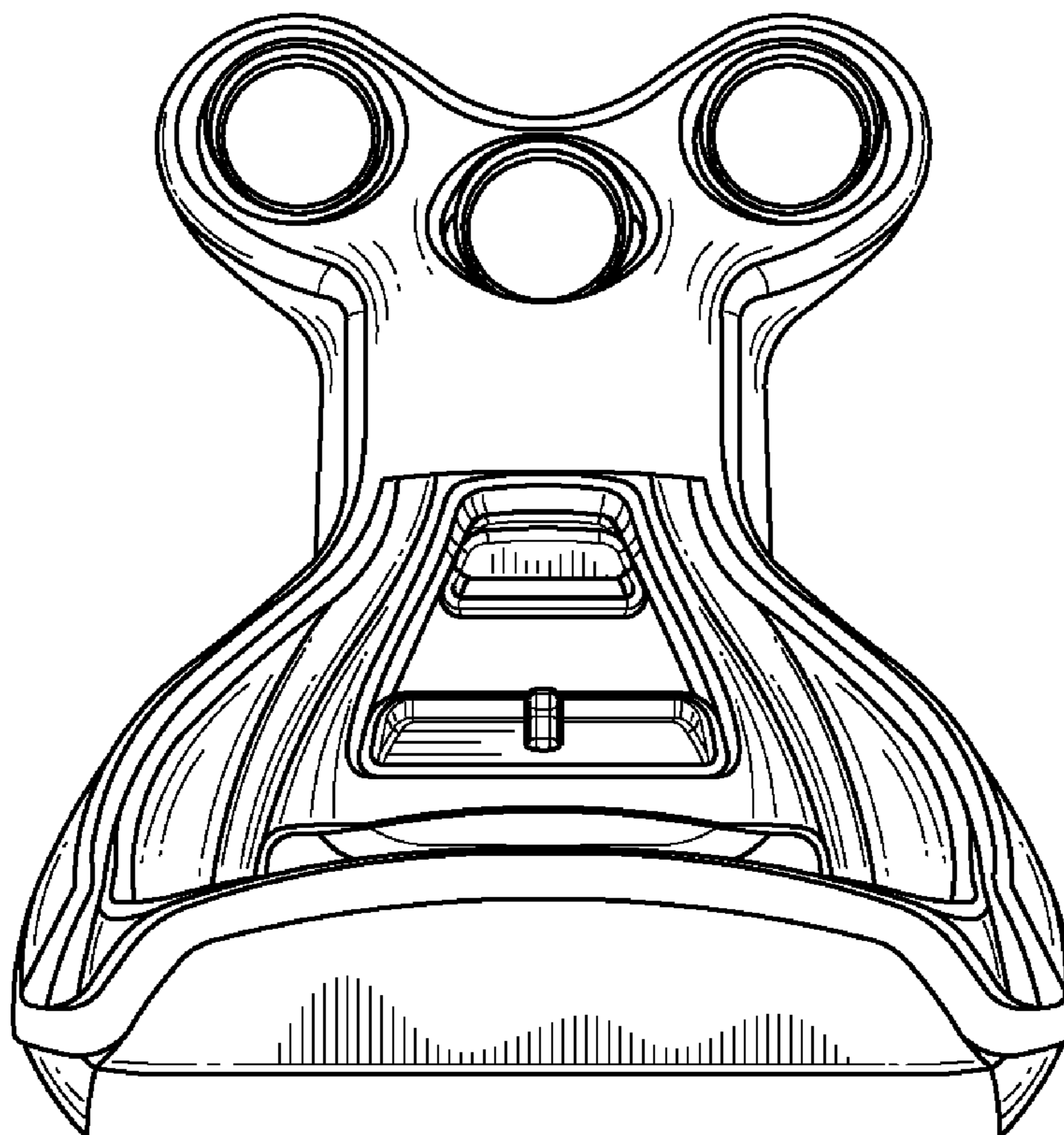
FIG. 4 is a bottom view thereof;

FIG. 5 is a right side view thereof;

FIG. 6 is a left side view thereof; and,

FIG. 7 is a perspective view thereof.

**1 Claim, 7 Drawing Sheets**



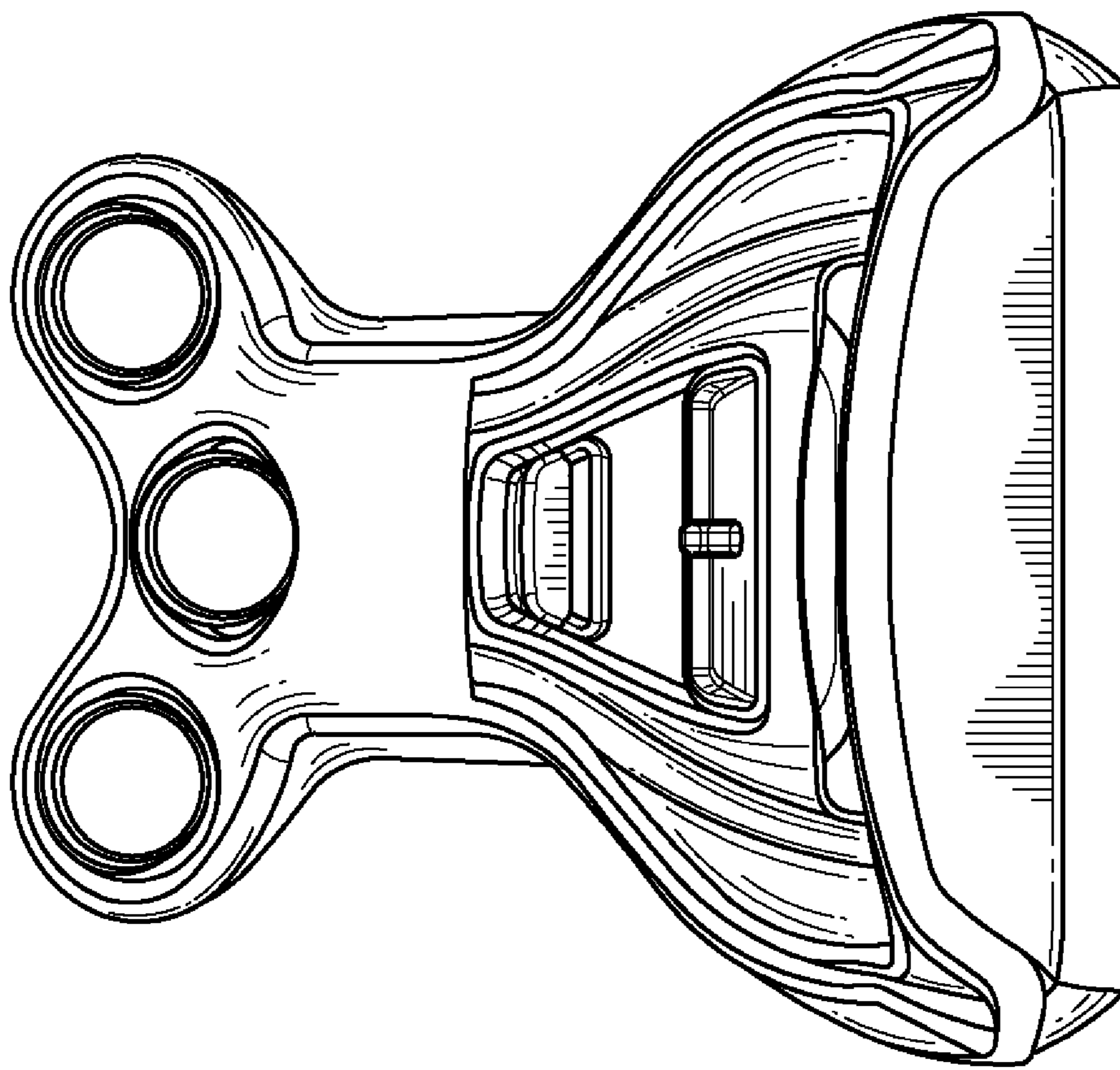
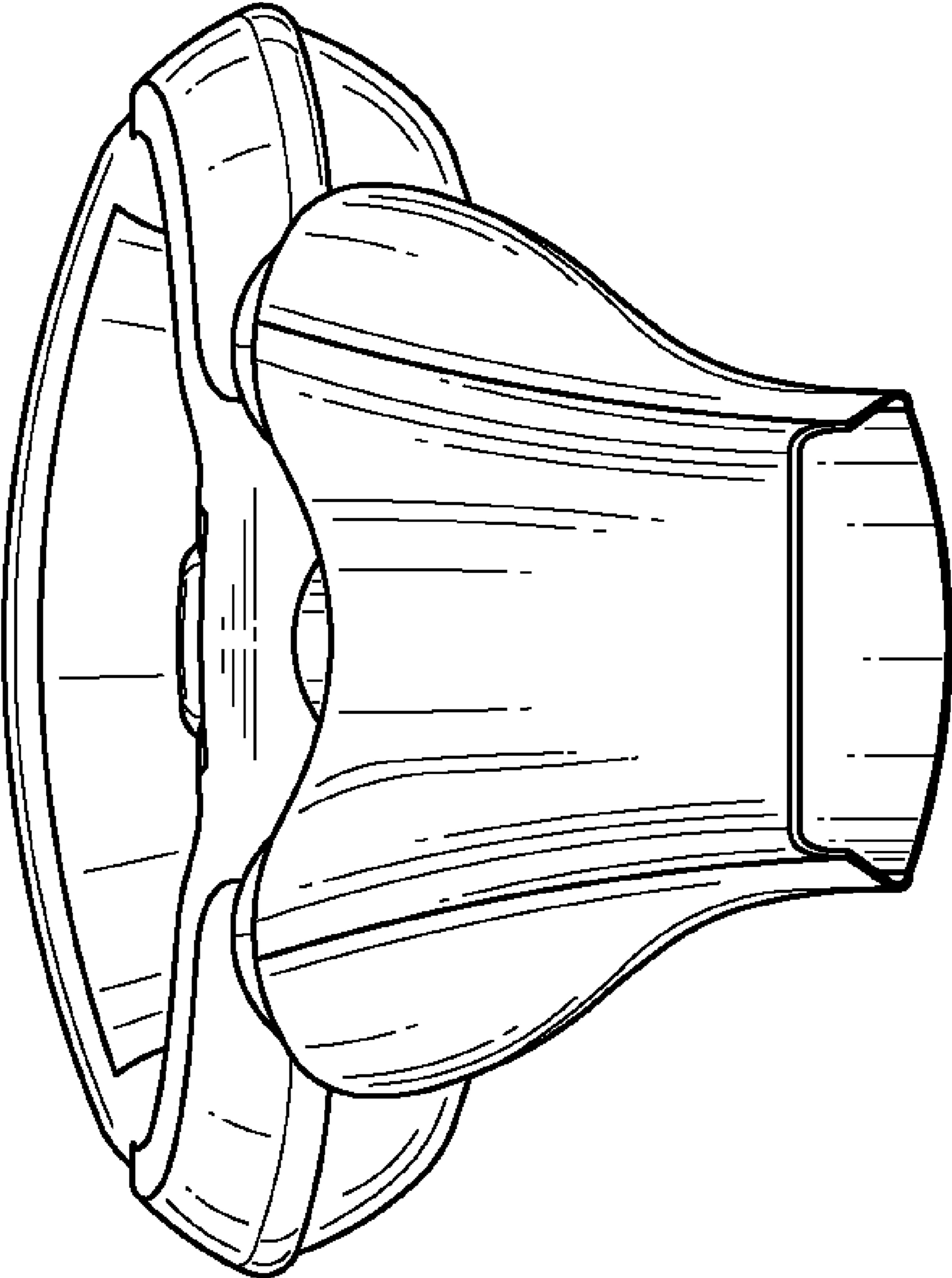


FIG. 1



**FIG. 2**

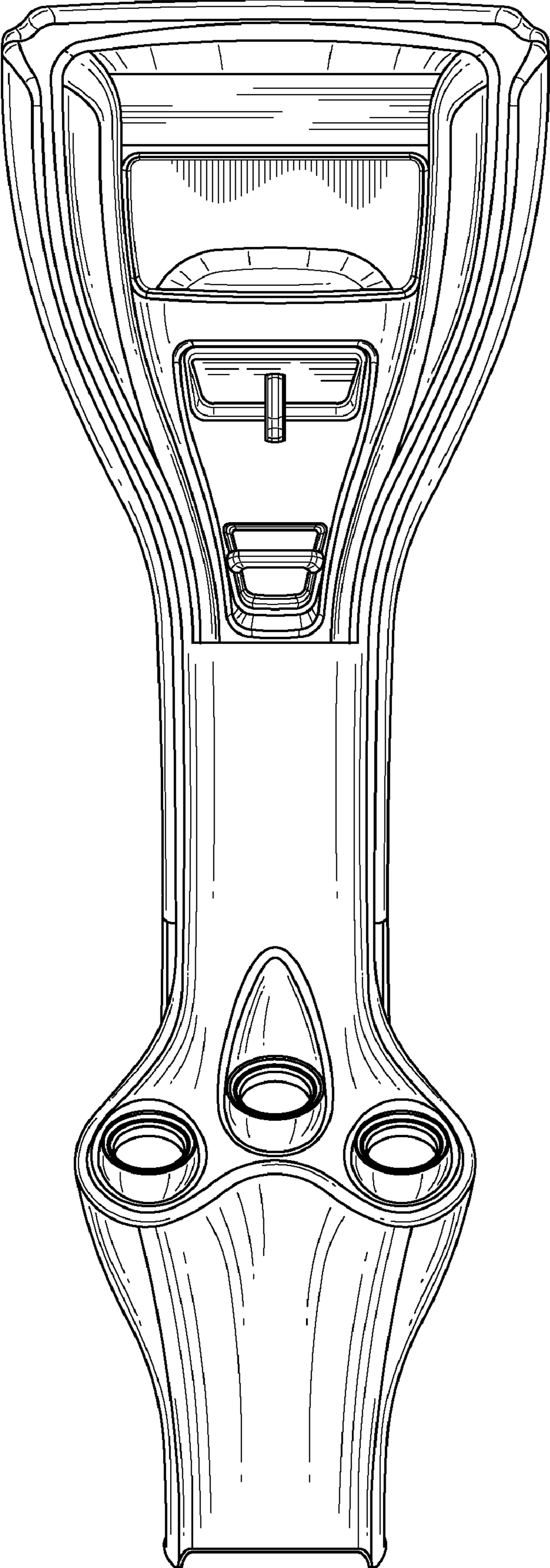


FIG. 3

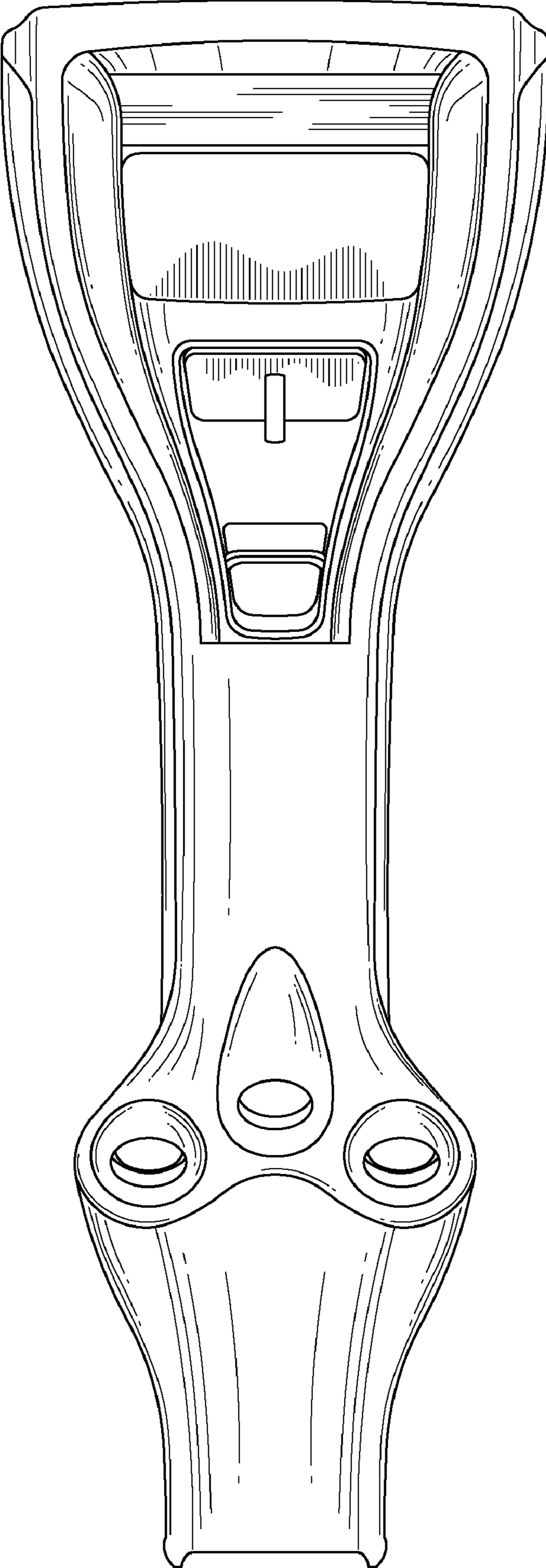


FIG. 4

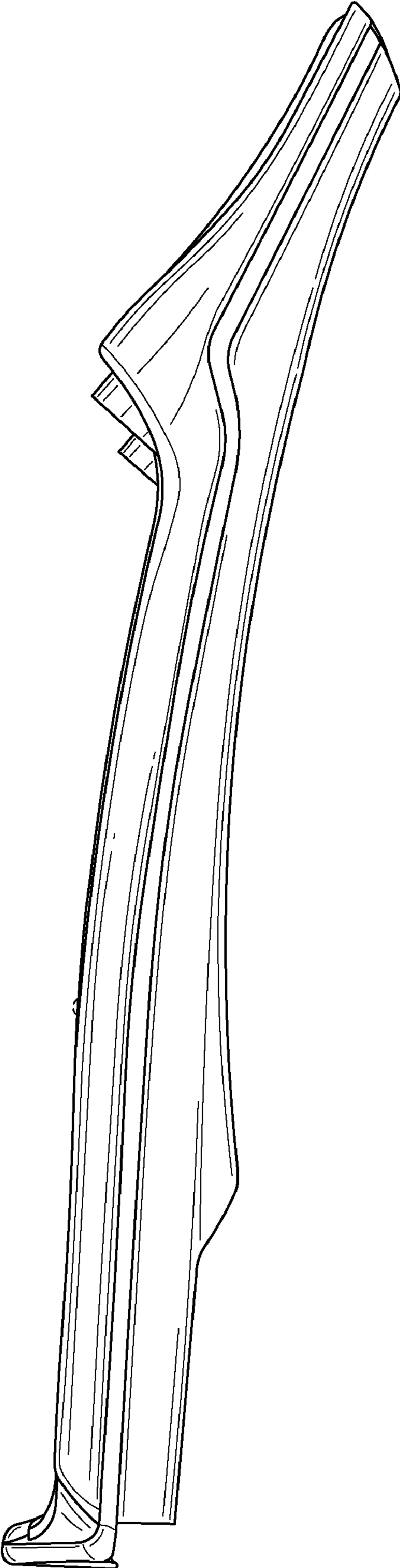


FIG. 5

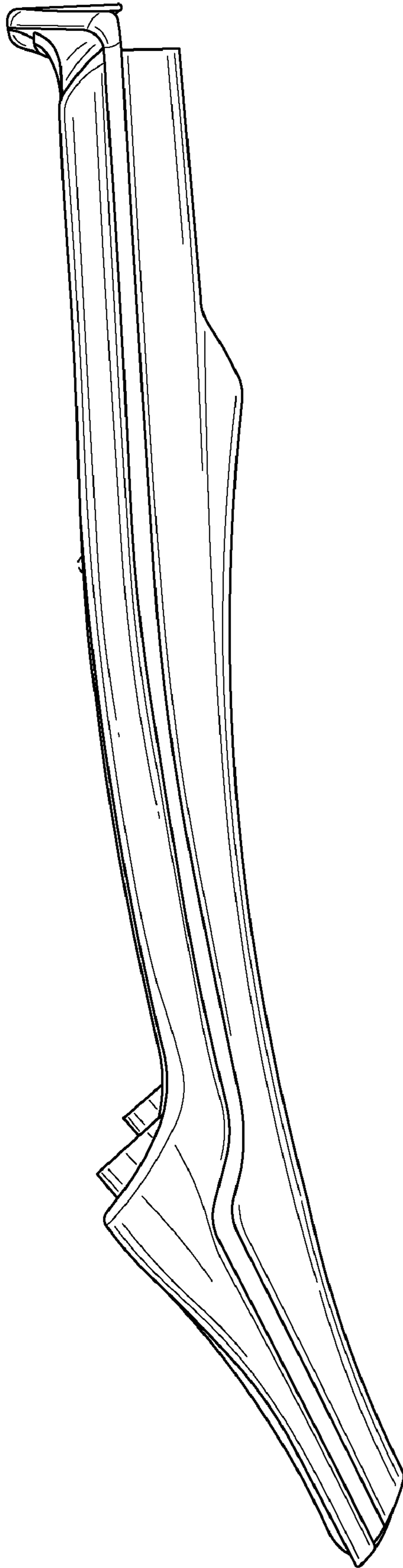


FIG. 6

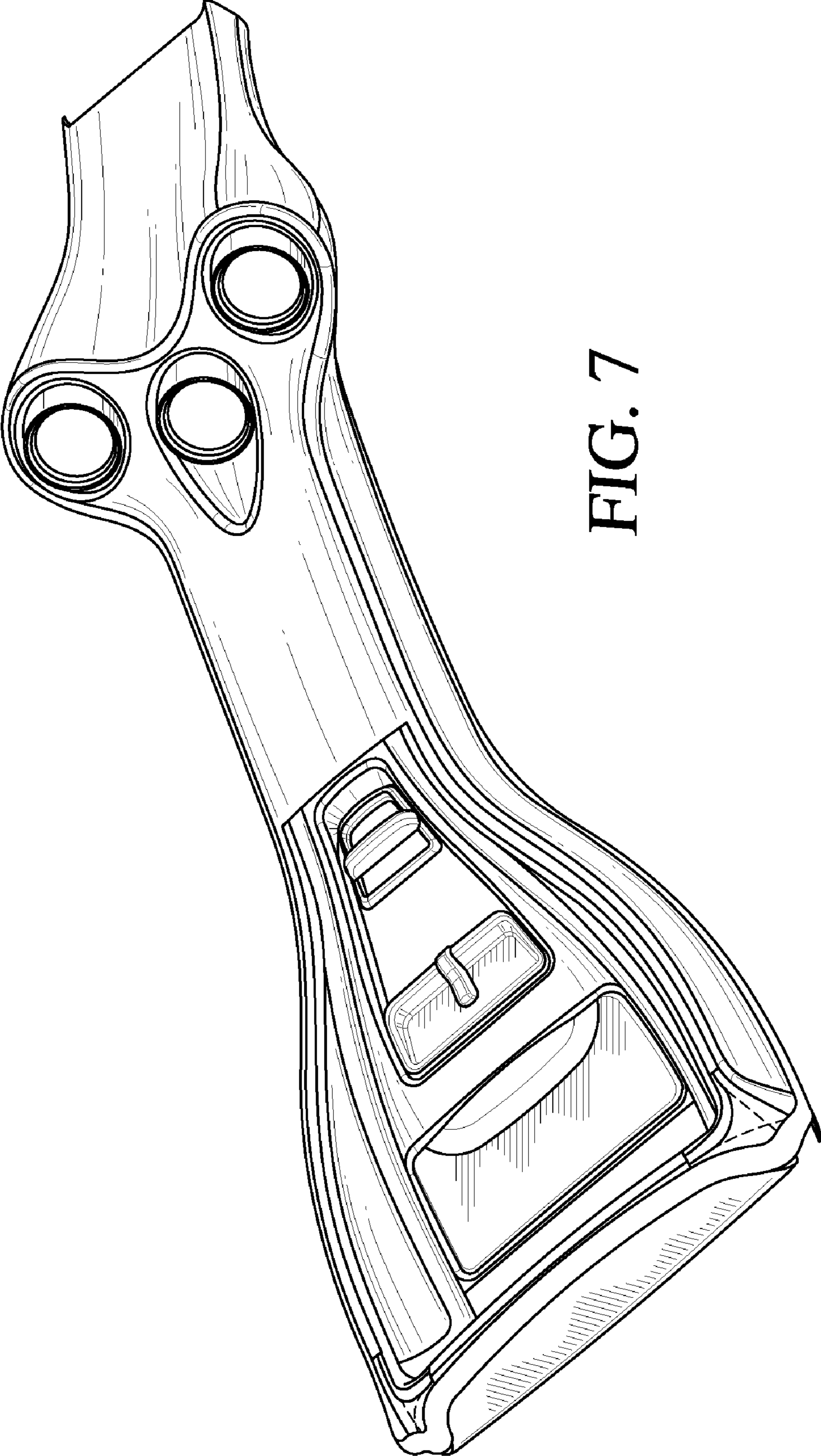


FIG. 7